



MOD-SD MMC development board

Users Manual



All boards produced by Olimex are ROHS compliant

Revision A, April 2011
Copyright(c) 2011, OLIMEX Ltd, All rights reserved

INTRODUCTION:

MOD-SD_MMC is module board with SD/MMC connector on it. The board is excellent extension for development boards without SD/MMC, but with UEXT. You can connect the board via its 10 pin cable to the UEXT of another board and enjoy the enormous variety of SD/MMC applications.

BOARD FEATURES:

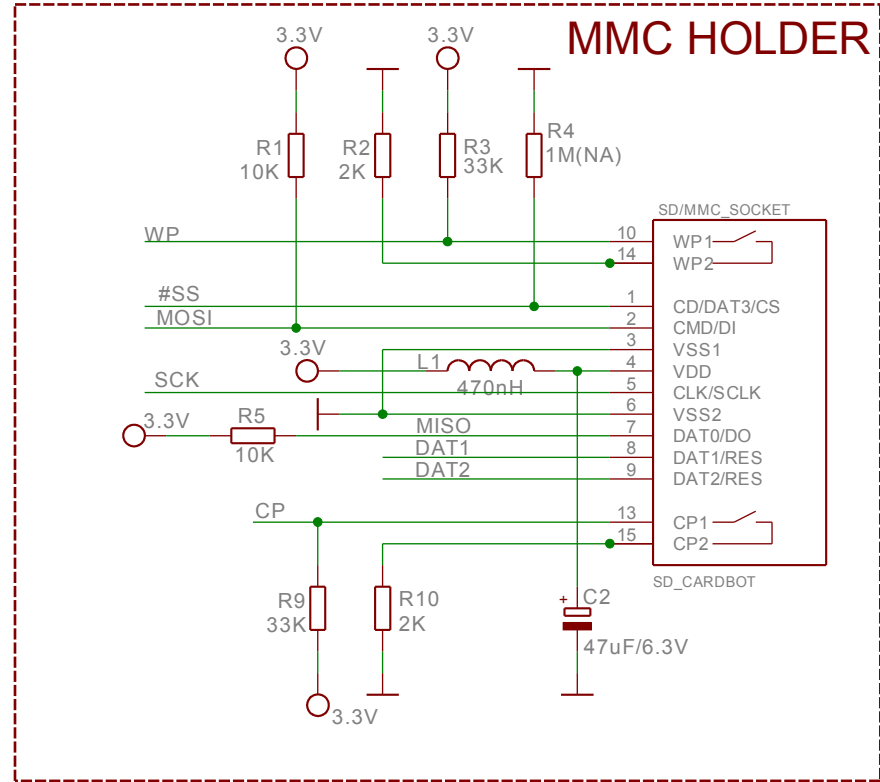
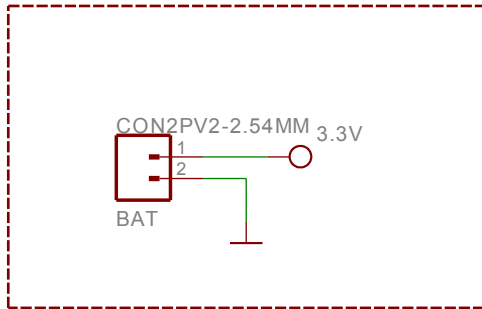
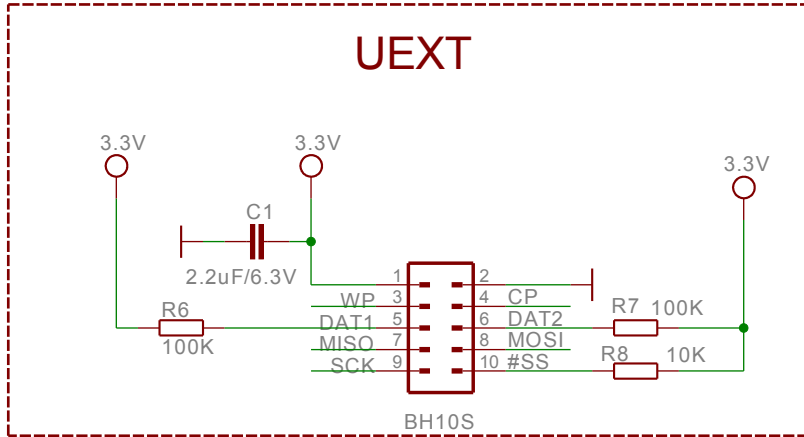
- UEXT connector
- BAT connector
- SD/MMC_SOCKET
- 10 pin cable for the UEXT connector
- FR-4, 1.5 mm, red soldermask, component print
- Dimensions:38.00 x 31.00mm (1.50 x 1.22")

ELECTROSTATIC WARNING:

The MOD-SD_MMC board is shipped in protective anti-static packaging. The board must not be subject to high electrostatic potentials. General practice for working with static sensitive devices should be applied when working with this board.

BOARD USE REQUIREMENTS:

Cables: The boards is shipped with 10 pin cable for the UEXT connector.
Hardware: Some of OLIMEX's boards with UEXT.



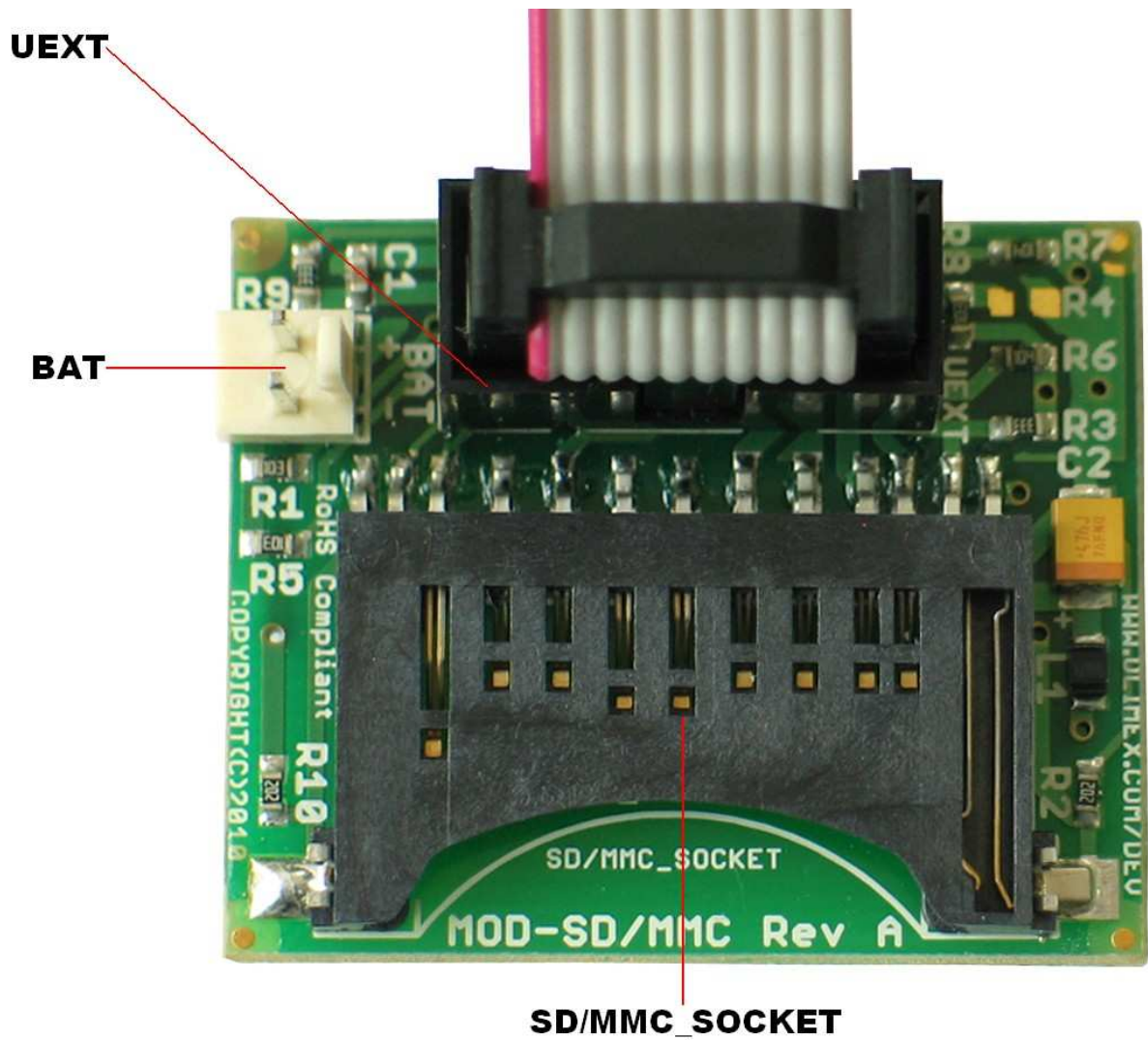
MOD-SD_MMC

Rev. A

COPYRIGHT(C) 2011, OLIMEX Ltd.

<http://www.olimex.com/dev>

BOARD LAYOUT:



POWER SUPPLY CIRCUIT:

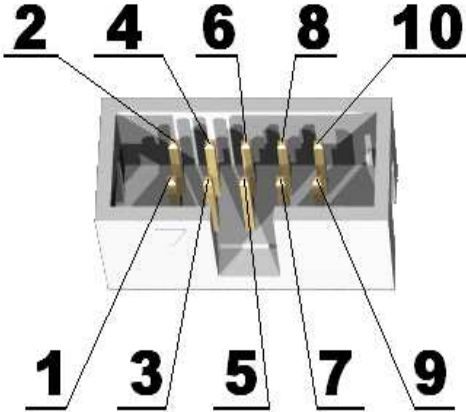
MOD-SD_MMC can take power from:

- + 3.3V via BAT connector.
- UEXT connector

EXTERNAL CONNECTORS DESCRIPTION:

UEXT:

Pin #	Signal Name
1	3.3V
2	GND
3	WP
4	CP
5	DAT1
6	DAT2
7	MISO
8	MOSI
9	SCK
10	#SS



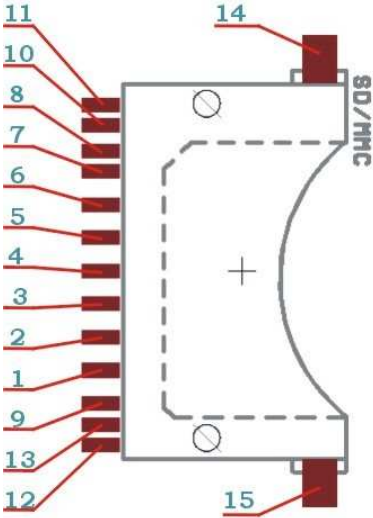
BAT

Pin #	Signal Name
1	VCC
2	GND

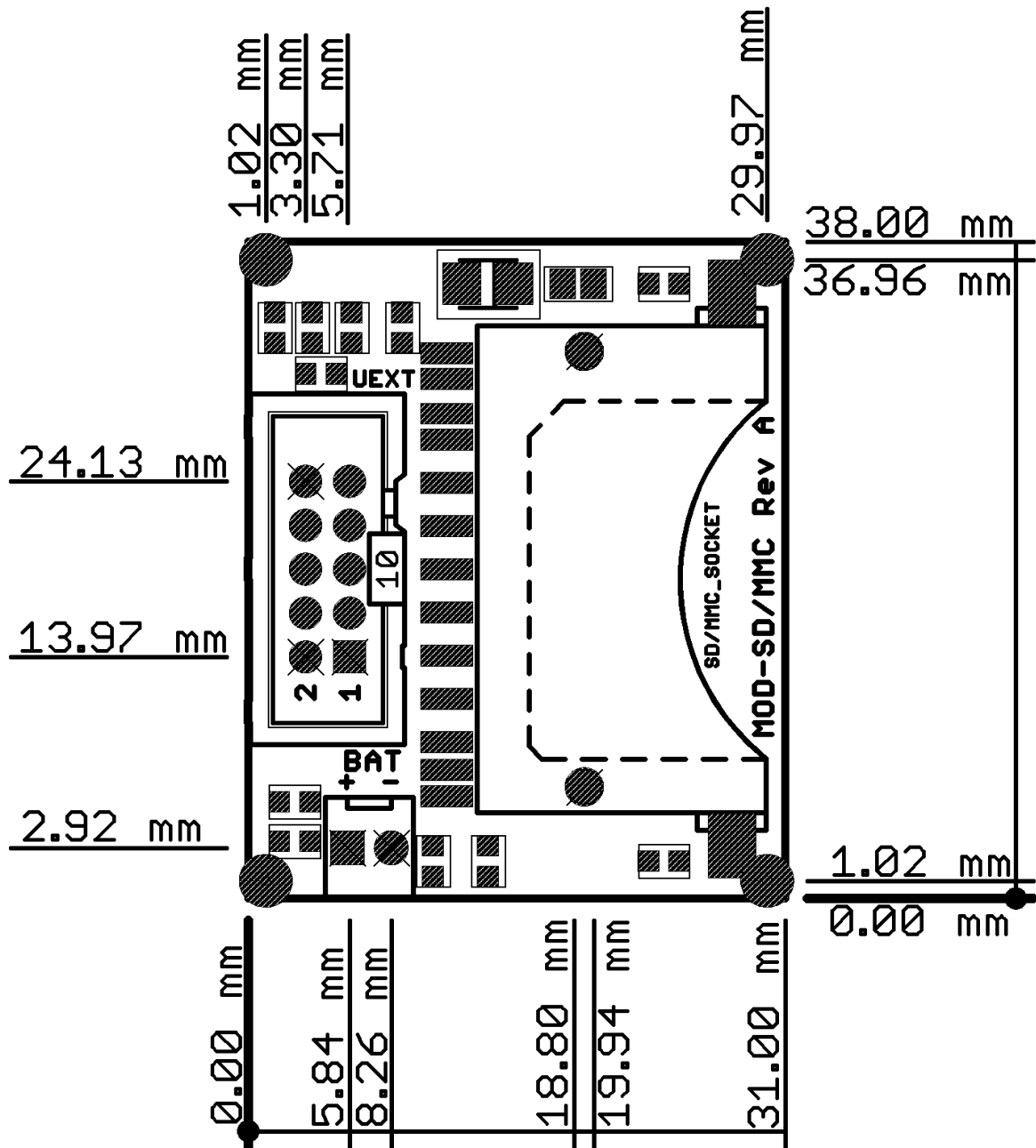


SD/MMC:

Pin #	Signal Name
1	#SS
2	MOSI
3	GND
4	VCC
5	SCK
6	GND
7	MISO
8	DAT1
9	DAT2
10	WP
11	pull-down
12	pull-down
13	CP
14	pull-down
15	pull-down



MECHANICAL DIMENSIONS:



ORDER CODE:

MOD-SD_MMC - assembled and tested board

How to order?

You can order to us directly or by any of our distributors.
Check our web www.olimex.com/dev for more info.

Revision history:

Board's revision: Rev. A, April 2011

Manual's revision: Rev. Initial, June 2011

Disclaimer:

© 2011 Olimex Ltd. All rights reserved. Olimex®, logo and combinations thereof, are registered trademarks of Olimex Ltd. Other terms and product names may be trademarks of others.

The information in this document is provided in connection with Olimex products. No license, express or implied or otherwise, to any intellectual property right is granted by this document or in connection with the sale of Olimex products.

Neither the whole nor any part of the information contained in or the product described in this document may be adapted or reproduced in any material from except with the prior written permission of the copyright holder.

The product described in this document is subject to continuous development and improvements. All particulars of the product and its use contained in this document are given by OLIMEX in good faith. However all warranties implied or expressed including but not limited to implied warranties of merchantability or fitness for purpose are excluded.

This document is intended only to assist the reader in the use of the product. OLIMEX Ltd. shall not be liable for any loss or damage arising from the use of any information in this document or any error or omission in such information or any incorrect use of the product.