

# SMB380

## Triaxial acceleration sensor

### Data Sheet (preliminary)

Bosch Sensortec



**BOSCH**  
Invented for life



#### **SMB380 Data sheet (preliminary)**

Order code	0 273 141 006
Package type	10-pin QFN
Data sheet version	1.3
Release date	2007-09-18
Notes	Specifications are subject to change without notice.

# SMB380

## Triaxial $\pm 2g/\pm 4g/\pm 8g$ acceleration sensor

### Key features

- Three-axis accelerometer
  - Temperature output
  - Small package
  - Digital interface
  - Programmable functionality
  - Ultra-low power ASIC
  - RoHS compliant, Pb-free
- Mold package (QFN),  
Footprint 3mm x 3mm, height 0.90mm  
SPI (4-wire, 3-wire), I<sup>2</sup>C, interrupt pin  
g-range  $\pm 2g/\pm 4g/\pm 8g$ , bandwidth 25-1500Hz, internal acceleration evaluation for interrupt trigger also enabling stand-alone capability (without use of microcontroller), self-test
- Low current consumption, short wake-up time, advanced features for system power management

### Typical applications

- HDD protection
- Menu scrolling, tap / tap-tap function
- Gaming
- Pedometer
- Drop detection for warranty logging
- Display profile switching
- Advanced system power management for mobile applications
- Shock Detection

### General description

The SMB380 is a triaxial, low-g acceleration sensor IC with digital output for consumer market applications. It allows measurements of acceleration in perpendicular axes as well as absolute temperature measurement.

An evaluation circuitry converts the output of a three-channel micromechanical acceleration-sensing structure that works according to the differential capacitance principle.

Package and interface have been defined to match a multitude of hardware requirements. Since the sensor IC has small footprint and flat package it is attractive for mobile applications. The sensor IC can be programmed to optimize functionality, performance and power consumption in customer specific applications.


The SMB380 senses tilt, motion and shock vibration in cell phones, handhelds, computer peripherals, man-machine interfaces, virtual reality features and game controllers.

The SMB380 is the QFN package version of the BMA150 triaxial acceleration sensor which comes in a 3mm x 3mm x 0.9mm LGA type package.

**Index of Contents**

<b>1. SPECIFICATION</b> .....	<b>5</b>
<b>2. MAXIMUM RATINGS</b> .....	<b>7</b>
<b>3. GLOBAL MEMORY MAP</b> .....	<b>8</b>
<b>3.1 OPERATIONAL REGISTERS</b> .....	<b>11</b>
<b>3.1.1 SPI4</b> .....	<b>11</b>
<b>3.1.2 Range</b> .....	<b>11</b>
<b>3.1.3 Bandwidth</b> .....	<b>12</b>
<b>3.1.4 Wake_up</b> .....	<b>12</b>
<b>3.1.5 Wake_up_pause</b> .....	<b>13</b>
<b>3.1.6 Shadow_dis</b> .....	<b>13</b>
<b>3.2 INTERRUPT SETTINGS</b> .....	<b>14</b>
<b>3.2.1 Enable_LG</b> :.....	<b>14</b>
<b>3.2.2 Enable_HG</b> :.....	<b>14</b>
<b>3.2.3 Enable_adv_INT</b> :.....	<b>14</b>
<b>3.2.4 Any_motion</b> :.....	<b>14</b>
<b>3.2.5 Alert</b> : .....	<b>14</b>
<b>3.2.6 Latch_INT</b> :.....	<b>15</b>
<b>3.2.7 LG_thres, LG_hyst, LG_dur, counter_LG</b> .....	<b>15</b>
<b>3.2.8 HG_thres, HG_hyst, HG_dur, counter_HG</b> .....	<b>16</b>
<b>3.2.9 Any_motion_thres, any_motion_dur</b> .....	<b>17</b>
<b>3.2.10 New_data_int</b> .....	<b>19</b>
<b>3.3 CONTROL REGISTERS</b> .....	<b>20</b>
<b>3.3.1 Reset_INT</b> .....	<b>20</b>
<b>3.3.2 Update_image</b> .....	<b>20</b>
<b>3.3.3 Ee_w</b> .....	<b>20</b>
<b>3.3.4 Selftest_0</b> .....	<b>21</b>
<b>3.3.5 Selftest_1</b> .....	<b>21</b>
<b>3.3.6 Soft_reset</b> .....	<b>21</b>
<b>3.3.7 Sleep</b> .....	<b>21</b>
<b>3.4 STATUS REGISTERS</b> .....	<b>22</b>
<b>3.4.1 St_result</b> .....	<b>22</b>
<b>3.4.2 Alert_phase</b> .....	<b>22</b>
<b>3.4.3 LG_latched, HG_latched</b> .....	<b>22</b>
<b>3.4.4 Status_LG, status_HG</b> .....	<b>22</b>
<b>3.4.5 Customer_reserved 1, customer_reserved 2</b> .....	<b>22</b>
<b>3.5 DATA REGISTERS</b> .....	<b>23</b>
<b>3.5.1 Temp</b> .....	<b>23</b>
<b>3.5.2 Acc_x, acc_y, acc_z</b> .....	<b>23</b>
<b>3.5.3 New_data_x, new_data_y, new_data_z</b> .....	<b>24</b>
<b>3.5.4 Al_version, ml_version, chip_id</b> .....	<b>24</b>

<b>4. DIGITAL INTERFACE.....</b>	<b>25</b>
<b>4.1 SPI.....</b>	<b>25</b>
4.1.1 <i>Four-wire SPI interface</i> .....	25
4.1.2 <i>Three-wire SPI interface</i> .....	29
<b>4.2 I<sup>2</sup>C INTERFACE .....</b>	<b>32</b>
<b>5. PACKAGE.....</b>	<b>38</b>
<b>5.1 OUTLINE DIMENSIONS .....</b>	<b>38</b>
<b>5.2 AXES ORIENTATION .....</b>	<b>39</b>
<b>5.3 LANDING PATTERN RECOMMENDATIONS .....</b>	<b>40</b>
<b>5.4 MOISTURE SENSITIVITY LEVEL AND SOLDERING .....</b>	<b>41</b>
<b>5.5 ROHS COMPLIANCY .....</b>	<b>41</b>
<b>6. PIN-OUT AND CONNECTION DIAGRAMS .....</b>	<b>42</b>
<b>7. OPERATION MODES .....</b>	<b>45</b>
7.1 <b>NORMAL OPERATIONAL MODE.....</b>	<b>45</b>
7.2 <b>SLEEP MODE .....</b>	<b>45</b>
7.3 <b>WAKE-UP MODE .....</b>	<b>45</b>
<b>8. DATA CONVERSION .....</b>	<b>47</b>
8.1 <b>ACCELERATION DATA .....</b>	<b>47</b>
8.2 <b>TEMPERATURE MEASUREMENT .....</b>	<b>48</b>
<b>9. INTERNAL LOGIC FUNCTIONS.....</b>	<b>49</b>
9.1 <b>FREEFALL LOGIC .....</b>	<b>49</b>
9.2 <b>HIGH-G LOGIC .....</b>	<b>49</b>
9.3 <b>ANY MOTION DETECTION .....</b>	<b>50</b>
9.4 <b>ALERT MODE .....</b>	<b>50</b>
<b>10. DISCLAIMER .....</b>	<b>51</b>
10.1 <b>ENGINEERING SAMPLES.....</b>	<b>51</b>
10.2 <b>PRODUCT USE.....</b>	<b>51</b>
<b>11. DOCUMENT HISTORY AND MODIFICATION .....</b>	<b>52</b>

 <b>BOSCH</b>	<b>Preliminary Data Sheet</b> <b>SMB380</b> <b>Triaxial acceleration sensor</b>	Bosch Sensortec
--	---	-----------------

## 1. Specification

If not stated otherwise, the given values are maximum values over lifetime and full performance temperature/voltage range in the normal operation mode.


**Table 1:** Operating range, output signal and mechanical specifications of the SMB380

Parameter	Symbol	Condition	Min	Typ	Max	Units
OPERATING RANGE						
Acceleration Range	$g_{FS2g}$	Switchable via serial digital interface	-2		2	g
	$g_{FS4g}$		-4		4	g
	$g_{FS8g}$		-8		8	g
Supply Voltage Analogue	$V_{DD}$		2.4		3.6	V
Supply Voltage for Digital I/O	$V_{DDIO}$	$V_{DDIO} \leq V_{DD}$	1.62		3.6	V
Supply Current in Normal Mode **	$I_{DD}$	Digital and analog		200	290	$\mu$ A
Supply Current in Standby Mode **	$I_{DDsbm}$	Digital and analog		1	2	$\mu$ A
Operating Temperature	$T_A$		-40		+85	$^{\circ}$ C
ACCELERATION OUTPUT SIGNAL						
Acceleration Output Resolution		Format: 2's complement			10	Bit
Sensitivity	$S_{2g}$	g-range $\pm 2g$	246	256	266	LSB/g
	$S_{4g}$	g-range $\pm 4g$	122	128	134	LSB/g
	$S_{8g}$	g-range $\pm 8g$	61	64	67	LSB/g
Zero-g Offset	Off	$T_A=25^{\circ}$ C, calibrated	-60		60	mg
Zero-g Offset	Off	$T_A=25^{\circ}$ C, over lifetime *	-150		150	mg
Zero-g Offset Temperature Drift		Over $T_A$		1		mg/K
Power Supply Rejection Ratio	PSRR	Over $V_{DD}$			0.2	LSB/V

\* The offset can deviate from the original calibration mainly due to stress effects during soldering depending on the soldering process. For many applications it is beneficial to re-calibrate the offset after PCB assembly (see application note ANA016 "In-line offset re-calibration").

\*\* For more details on the SMB380's current consumption during wake-up mode, please refer to chapter 7.3

Parameter	Symbol	Condition	Min	Typ	Max	Units
Bandwidth	bw	2 <sup>nd</sup> order analog filter		1500		Hz
		Digital filter		25, 50, 100, 190, 375, 750		Hz
Acceleration Data Refresh Rate (all axes)			2700	3000	3300	Hz
Nonlinearity	NL	Best fit straight line	-0.5		0.5	%FS
Output Noise	n <sub>rms</sub>	Rms		0.5		mg/√Hz
TEMPERATURE SENSOR IC						
Sensitivity	S <sub>T</sub>	Preliminary data	0.475	0.5	0.525	K/LSB
Temperature measurement range	T <sub>S</sub>		-30		97.5	°C
Temperature Offset	Off <sub>T</sub>	Calibrated at 30°C		1		K
MECHANICAL CHARACTERISTICS						
Cross Axis Sensitivity	$\bar{S}$	Relative contribution between 3 axes			2	%
POWERING UP CHARACTERISTICS						
Wake-up time	t <sub>wu</sub>	From standby		1	1.5	ms
Start-up time	t <sub>su</sub>	From power-off		3		ms


 <b>BOSCH</b>	<b>Preliminary Data Sheet</b> <b>SMB380</b> <b>Triaxial acceleration sensor</b>	Bosch Sensortec
--	---	-----------------

## 2. Maximum ratings

**Table 2:** Maximum ratings specified for the SMB380

Parameter	Condition	Min	Max	Units
Supply Voltage	$V_{DD}$ and $V_{DDIO}$	-0.3	4.25	V
Storage Temperature range		-50	+150	°C
EEPROM write cycles	Same Byte	1000		cycles
EEPROM retention	At 55°C, after 1000 cycles	10		years
Mechanical Shock	Duration $\leq 100\mu\text{s}$		10,000	g
	Duration $\leq 1.0\text{ms}$		2,000	g
	Free fall onto hard surfaces		1.5	m
ESD	HBM, at any pin		2	kV
	CDM		500	V

Stress above these limits may cause damage to the device. Exceeding the specified electrical limits may affect the device reliability or cause malfunction.

 <b>BOSCH</b>	<b>Preliminary Data Sheet</b> <b>SMB380</b> <b>Triaxial acceleration sensor</b>	Bosch Sensortec
--	---	-----------------

### 3. Global memory map

The global memory map of SMB380 has three levels of access:

Memory Region	Content	Access Level
Operational Registers	Data registers, control registers, status registers, interrupt settings	Direct access via serial interface
Default Setting Registers	Default values for operational registers, acceleration and temperature trimming values	Access blocked by default; Access enabled by setting control bit in operational registers via serial interface
Bosch Sensortec Reserved Registers	Internal trimming registers	Protected

The memory of SMB380 is realized in diverse physical architectures. Basically SMB380 uses volatile memory registers to operate. The volatile part of the memory can be changed and read quickly. Part of the volatile memory (“image”) is a copy of the non-volatile memory (EEPROM).

The EEPROM can be used to set default values for the operation of the sensor IC. The EEPROM access mode is “write only”. The register values are copied to the image registers after power on or soft reset. The download of all EEPROM bytes to image registers is also done when the content of one EEPROM byte has been changed by a write command.

All operational and default setting registers are accessible through serial interface with a standard protocol:

Type of Register	Function of Register	Command	Volatile / non-volatile
Data Registers	<ul style="list-style-type: none"> <li>– Chip identification, chip version</li> <li>– Acceleration data, temperature</li> </ul>	Read Read	non-volatile (hard coded) volatile
Control Registers	<ul style="list-style-type: none"> <li>– Activating self test, soft reset, switch to sleep mode etc.</li> </ul>	Read / Write	volatile
Status Registers	<ul style="list-style-type: none"> <li>– Interrupt status and self test status</li> <li>– Customer usable status bytes</li> </ul>	Read Read / Write	Volatile volatile
Setting Register	<ul style="list-style-type: none"> <li>– Functional settings (range, bandwidth)</li> <li>– Interrupt settings</li> </ul>	Read / Write Read / Write	volatile volatile
EEPROM	<ul style="list-style-type: none"> <li>– Default settings of functional and interrupt settings</li> <li>– Trimming values</li> <li>– Customer reserved data storage</li> <li>– Bosch Sensortec Reserved Memory</li> </ul>	Write Write Write Write	non-volatile non-volatile non-volatile non-volatile



**Figure 1:** Global memory map of SMB380

Memory Region	Register Address (hexadecimal)	bit7	bit6	bit5	bit4	bit3	bit2	bit1	bit0	type	Default setting		
Bosch Sensortec Reserved Registers	50h to 7Fh	BST reserved									BST reserved	NA	
	43h to 49h	not used									not used	NA	
	42h	BST reserved									BST reserved	NA	
	41h	BST reserved									BST reserved	NA	
	40h	BST reserved									BST reserved	NA	
	3Fh	BST reserved									BST reserved	NA	
	3Eh	BST reserved									BST reserved	NA	
	3Dh					offset_T (msb)						trimming	NA
	3Ch					offset_z (msb)						trimming	NA
	3Bh					offset_y (msb)						trimming	NA
3Ah					offset_x (msb)						trimming	NA	
Default Setting Registers	39h	offset_T (lsb)				gain_T				trimming	NA		
	38h	offset_z (lsb)				gain_z				trimming	NA		
	37h	offset_y (lsb)				gain_y				trimming	NA		
	36h	offset_x (lsb)				gain_x				trimming	NA		
	35h	SPI4	enable_adv_INT	new_data_INT	latch_INT	shadow_dis	wake_up_pause	wake_up			control	1 0 0 0 0 0 0 0b	
	34h	reserved			range<1:0>		bandwidth<2:0>				control	xxx 01 110b	
	33h					customer_reserved 2 <7:0>						status	13
	32h					customer_reserved 1 <7:0>						status	162
	31h	any_motion_dur				HG_hyst<2:0>		LG_hyst<2:0>				settings	00 000 000b
	30h					any_motion_thres<7:0>						settings	0
	2Fh					HG_dur<7:0>						settings	150
	2Eh					HG_thres<7:0>						settings	160
	2Dh					LG_dur<7:0>						settings	150
	2Ch					LG_thres<7:0>						settings	20
	2Bh	alert	any_motion	counter_HG		counter_LG		enable_HG	enable_LG			control	0 0 00 00 1 1b
	24h to 2Ah	not used									not used	NA	
	23h	BST reserved									BST reserved	NA	
	22h	BST reserved									BST reserved	NA	
	21h	BST reserved									BST reserved	NA	
	20h	BST reserved									BST reserved	NA	
1Fh	BST reserved									BST reserved	NA		
1Eh	BST reserved									BST reserved	NA		
1Dh					offset_T						trimming	NA	
1Ch					offset_z						trimming	NA	
1Bh					offset_y						trimming	NA	
1Ah					offset_x						trimming	NA	
19h	offset_T				gain_T					trimming	NA		
18h	offset_z				gain_z					trimming	NA		
17h	offset_y				gain_y					trimming	NA		
16h	offset_x				gain_x					trimming	NA		
Operational Registers	15h	SPI4	enable_adv_INT	new_data_INT	latch_INT	shadow_dis	wake_up_pause	wake_up			control	1 0 0 0 0 0 0 0b	
	14h	reserved			range<1:0>		bandwidth<2:0>				control	xxx 01 110b	
	13h					customer_reserved 2 <7:0>						status	13
	12h					customer_reserved 1 <7:0>						status	162
	11h	any_motion_dur				HG_hyst<2:0>		LG_hyst<2:0>				settings	00 000 000b
	10h					any_motion_thres<7:0>						settings	0
	0Fh					HG_dur<7:0>						settings	150
	0Eh					HG_thres<7:0>						settings	160
	0Dh					LG_dur<7:0>						settings	150
	0Ch					LG_thres<7:0>						settings	20
	0Bh	alert	any_motion	counter_HG		counter_LG		enable_HG	enable_LG			control	0 0 00 00 1 1b
	0Ah	reserved	reset_INT	update_image	ee_w	self_test_1	self_test_0	soft_reset	sleep			control	x 0 0 0 0 0 0 0b
	09h	st_result	not used		alert_phase	LG_latched	HG_latched	status_LG	status_HG			status	NA
	08h					temp<7:0>						data	NA
	07h					acc_z<9:2> (msb)						data	NA
	06h	acc_z<1:0> (lsb)		unused		unused		new_data_z				data	NA
	05h					acc_y<9:2> (msb)						data	NA
	04h	acc_y<1:0> (lsb)		unused		unused		new_data_y				data	NA
03h					acc_x<9:2> (msb)						data	NA	
02h	acc_x<1:0> (lsb)		unused		unused		new_data_x				data	NA	
01h	al_version<3:0>				ml_version<3:0>						data	NA	
00h	unused				chip_id<2:0>						data	---- 010b	

EEPROM

Image



**BOSCH**

**Preliminary Data Sheet**  
**SMB380**  
**Triaxial acceleration sensor**

Bosch Sensortec

**Important note:**

Bits 5, 6 and 7 of register addresses 14h and 34h do contain critical sensor individual calibration data which must not be changed or deleted by any means.

In order to properly modify addresses 14h and/or 34h for range and/or bandwidth selection using bits 0, 1, 2, 3 and 4, it is highly recommended to read-out the complete byte, perform bit-slicing and write back the complete byte with unchanged bits 5, 6 and 7.

Otherwise the reported acceleration data may show incorrect results.

### 3.1 Operational registers

#### 3.1.1 SPI4

The SPI4 bit (address 15h, bit 7) is used to select the correct SPI protocol (three-wire or four-wire, SPI-mode 3). The default value stored in the non-volatile part of the memory is SPI4=1 (four-wire SPI is default value !). After power on reset or soft reset or writing to EEPROM the SPI4 EEPROM setting (35h) is downloaded to the image register SPI4 and the corresponding SPI protocol is selected.

If the desired SPI is three-wire, the microcontroller must first write SPI4 to 0 (in image register only or in EEPROM). This first writing is possible because only CSB, SCK and SDI are required for a write sequence and the 3 bit timing diagrams are identical in three-wire and four-wire configuration.

Since EEPROM has limited write cycle lifetime (minimum 1000 cycles specified) it is recommended to use one of the following procedures.

Procedure 1 (recommended): Set SPI4 in image to correct value (SPI4=0 for SPI three-wire, SPI4=1 for SPI four-wire (=default)) every time after power on reset, soft reset or EEPROM write command.

Procedure 2: Verify chip-ID (address 00h) after every power on reset, soft reset or EEPROM write command to be chip\_ID=02h. If chip\_ID=FFh or chip\_ID=00h unlock EEPROM (section 3.3.3) and set SPI4 to correct interface in EEPROM at 35h. Lock EEPROM. Optionally verify chip\_ID after delay of >30ms.

Procedure 3: Set SPI4 once to correct interface in the EEPROM at 35h during final test procedure at customer.

#### 3.1.2 Range

These two bits (address 14h, bits 4 and 3) are used to select the full scale acceleration range. Directly after changing the full scale range it takes  $1/(2 \cdot \text{bandwidth})$  to overwrite the data registers with filtered data according to the selected bandwidth.

**Table 3:** Settings of full scale range register

range<1:0>	Full scale acceleration range
<b>00</b>	+/- 2g
<b>01</b>	+/- 4g
<b>10</b>	+/- 8g
<b>11</b>	Not authorised code

**Important note:**

Please refer to the comment in chapter 3 of how to protect bits 5, 6 and 7 when modifying other bits of register 14h.

### 3.1.3 Bandwidth

These three bits (address 14h, bits 2-0) are used to setup the digital filtering of ADC output data to obtain the desired bandwidth. A second order analogue filter defines the max. bandwidth to 1.5kHz. Digital filters can be activated to reduce the bandwidth down to 25Hz in order to reduce signal noise. The digital filters are moving average filters of various length with a refresh rate of 3kHz.

**Table 4:** Settings of bandwidth

<b>bandwidth&lt;2:0&gt;</b>	<b>Selected bandwidth (Hz)</b>
<b>000</b>	25
<b>001</b>	50
<b>010</b>	100
<b>011</b>	190
<b>100</b>	375
<b>101</b>	750
<b>110</b>	1500
<b>111</b>	Not authorised code

At wake-up from sleep mode to normal operation, the bandwidth is set to its maximum value and then reduced to bandwidth setting as soon as enough ADC samples are available to fill the whole digital filter.

Important note:

Please refer to the comment in chapter 3 of how to protect bits 5, 6 and 7 when modifying other bits of register 14h.

### 3.1.4 Wake\_up

This bit (address 15h, bit 0) makes SMB380 automatically switching from sleep mode to normal mode after the delay defined by `wake_up_pause` (section 3.1.5). When the sensor IC goes from sleep to normal mode, it starts acceleration acquisition and performs interrupt verification (section 3.2). The sensor IC automatically switches back from normal to sleep mode again if no fulfilment of programmed interrupt criteria has been detected. The IC wakes-up for a minimum duration which depends on the number of required valid acceleration data to determine if an interrupt should be generated.

Example 1: if `bandwidth=110` (1.5kHz), `enable_LG=1` and `LG_dur=3Fh` (63ms), the sensor IC will need to acquire a minimum number of acceleration data:

- Wait for 1ms to have a stable acceleration value (wake-up time)
- The sensor IC needs max. `LG_dur=3Fh=63ms` to verify if the acceleration stays under `LG_thres`.

Under this example condition, the maximum operational time is  $1\text{ms} + 63 \cdot 1\text{ms} = 64\text{ms}$ .

Example 2: if bandwidth=110 (1.5kHz), any\_motion=1 (AND enable\_adv\_INT=1), any\_motion\_dur=01 and wake\_up\_pause=10 (360ms) the maximum operational time is:

- i) Wait for 1ms to have a stable acceleration value (wake-up time)
- ii) Acquire four data (each 330µs) to calculate first any motion criterion
- iii) Two further data conversions to enable verification of series of three any motion criteria.

Under this example conditions, the maximum operational time is  $1\text{ms} + 6 \cdot 333\mu\text{s} = 3\text{ms}$ .

If a latched interrupt is generated, this can be used to wake-up a microprocessor. The sensor IC will wait for a reset\_INT command and restart interrupt verification. SMB380 can not go back to sleep mode if reset\_INT is not issued after a latched interrupt.

If a not-latched interrupt is generated, the device waits in the normal mode till the interrupt condition disappears. The minimum duration of interrupt activation is 330µs. If no interrupt is generated, the sensor IC goes to sleep mode for a defined time (wake\_up\_pause).

### 3.1.5 Wake\_up\_pause

These bits (address 15h, bit 2 and 1) define the sleep phase duration between each automatic wake-up.

**Table 5:** Settings of wake\_up\_pause

wake_up_pause<1:0>	Sleep phase duration
<b>00</b>	20 ms
<b>01</b>	80 ms
<b>10</b>	320 ms
<b>11</b>	2560 ms

### 3.1.6 Shadow\_dis

SMB380 provides the possibility to block the update of data MSB while LSB are read out. This avoids a potential mixing of LSB and MSB of successive conversion cycles. When this bit (address 15h, bit 3) is at 1, the blocking procedure for MSB is not realized and MSB only reading is possible.

### 3.2 Interrupt settings

Five different types of interrupts can be programmed. When the corresponding criterion becomes valid, the interrupt pin is triggered to a high level. All interrupt criteria are combined and drive the interrupt pad with an Boolean <OR> condition.

Interrupt generations may be disturbed by changes of EEPROM, image or other control bits because some of these bits influence the interrupt calculation. As a consequence, no write sequence should occur when microprocessor is triggered by interrupt or the interrupt should be deactivated on the microprocessor side when write sequences are operated.

Interrupt criteria are using digital code coming from digital filter output. As a consequence all thresholds are scaled with range selection (section 3.1.3.2). Timings used for high acceleration and low acceleration debouncing are absolute values (1 LSB of HG\_dur and LG\_dur registers corresponds to 1 millisecond, timing accuracy is proportional to oscillator accuracy = +/-10%), thus it does not depend on selected bandwidth. Timings used for any motion interrupt and alert detection are proportional to bandwidth settings (section 3.1.3).

#### 3.2.1 Enable\_LG:

This bit (address 0Bh, bit 0) enables the LG\_thres criteria to generate an interrupt.

#### 3.2.2 Enable\_HG:

This bit (address 0Bh, bit 1) enables the HG\_thres criteria to generate an interrupt.

#### 3.2.3 Enable\_adv\_INT:

This bit (address 15h, bit 6) is used to disable advanced interrupt control bits (any\_motion, alert). If enable\_adv\_INT=0, writing to these bits has no effect on sensor IC function.

#### 3.2.4 Any\_motion:

This bit ((address 0Bh, bit 6) enables the any motion criteria to generate directly an interrupt. It can not be turned on simultaneously with alert.

This bit can be masked by enable\_adv\_INT, the value of this bit is ignored when enable\_adv\_INT=0 (section 3.2.3).

#### 3.2.5 Alert:

If this bit (address 0Bh, bit 7) is at 1, the any\_motion criterion will set SMB380 into alert mode (section 3.2.9). This bit can be masked by enable\_adv\_INT, the value of this bit is ignored when enable\_adv\_INT=0 (section 3.2.3).

**3.2.6 Latch\_INT:**

If this bit (address 15h, bit 4) is at 1, interrupts are latched. The INT pad stays high until microprocessor detects it and writes reset\_INT control bit to 1 (section 3.3.1). When this bit is at 0, interrupts are set and reset directly by SMB380 according to programmable criteria (sections 3.2.7 and 3.2.8).

**3.2.7 LG\_thres, LG\_hyst, LG\_dur, counter\_LG**

LG\_thres (address 0C, bits 7-0 / low-g threshold) and LG\_hyst (address 11h, bits 2-0 / low-g threshold hysteresis) are used to detect a free fall. The threshold and duration codes define one criterion for interrupt generation when absolute value of acceleration is low for long enough duration.

Data format is unsigned integer.

LG\_thres criterion\_x is true if  $|acc\_x| \leq LG\_thres / 255 * range$

LG\_thres interrupt is set if  $(LG\_thres\ criterion\_x\ AND\ LG\_thres\ criterion\_y\ AND\ LG\_thres\ criterion\_z)\ AND\ interrupt\ counter = (LG\_dur+1)$

LG\_thres criterion\_x is false if  $|acc\_x| > (LG\_thres + 32*LG\_hyst) / 255 * range$

LG\_thres interrupt is reset if  $NOT(LG\_thres\ criterion\_x\ AND\ LG\_thres\ criterion\_y\ AND\ LG\_thres\ criterion\_z)$

LG\_thres and LG\_hyst codes must be chosen to have  $(LG\_thres + 32*LG\_hyst) < 511$ .

When LG\_thres criterion becomes active, an interrupt counter is incremented by 1 LSB/ms. When the low-g interrupt counter value equals (LG\_dur+1), an interrupt is generated.

Depending on counter\_LG (address 0Bh, bit 3 and 2) register, the counter could also be reset or count down when LG\_thres criterion is false.

**Table 6:** Description of debouncing counter counter\_LG

<b>counter_LG&lt;1:0&gt;</b>	<b>low acceleration interrupt counter status when LG_thres criteria is false</b>
<b>00</b>	reset
<b>01</b>	Count down by 1 LSB/ms
<b>10</b>	Count down by 2 LSB/ms
<b>11</b>	Count down by 3 LSB/ms

If latch\_INT=0, the interrupt is not a latched interrupt and then it is reset as soon as LG\_thres criteria becomes false. When interrupt occurs, the interrupt counter is reset.

The LG\_thres criteria is set with an AND condition on all three axes to be used for free fall detection.

### 3.2.8 HG\_thres, HG\_hyst, HG\_dur, counter\_HG

HG\_thres (address 0Eh, bits 7-0 / high-g threshold) and HG\_hyst (address 11h, bits 5-3 / high-g threshold hysteresis) define the high-G level and its associated hysteresis. HG\_dur (high-g threshold qualification duration) and counter\_HG (address 0Bh, bits 5 and 4 / high-g counter down register) are used for debouncing the high-g criteria.

Threshold and duration codes define a criterion for interrupt generation when absolute value of acceleration is high for long enough duration.

The data format is unsigned integer.

HG\_threshold criterion\_x is true if  $|acc\_x| \geq HG\_thres / 255 * range$

HG\_threshold interrupt is set if  $(HG\_thres\ criterion\_x\ OR\ HG\_thres\ criterion\_y\ OR\ HG\_thres\ criterion\_z)\ AND\ interrupt\ counter = (HG\_dur+1)$

HG\_threshold criterion\_x is false if  $|acc\_x| < (HG\_thres - 32*HG\_hyst) / 255 * range$

HG\_threshold interrupt is reset if  $NOT(HG\_thres\ criterion\_x\ OR\ HG\_thres\ criterion\_y\ OR\ HG\_thres\ criterion\_z)$

HG\_thres and HG\_hyst codes must be chosen to have  $(HG\_thres - 32*HG\_hyst) > 0$ .


When HG\_thres criterion becomes active, a counter is incremented by 1 LSB/ms. When the high-g acceleration interrupt counter value equals (HG\_dur+1), an interrupt is generated. Depending on counter\_HG register value, the counter could also be reset or count down when HG\_thres criterion is false.

**Table 7:** Description of debouncing counter\_HG

<b>counter_HG&lt;1:0&gt;</b>	<b>High acceleration interrupt counter status when HG_thres criterion is false</b>
<b>00</b>	reset
<b>01</b>	Count down by 1 LSB/ms
<b>10</b>	Count down by 2 LSB/ms
<b>11</b>	Count down by 3 LSB/ms

If latch\_INT=0, the interrupt is not a latched interrupt and then it is reset as soon as HG\_thres criterion becomes false. When interrupt occurs, the interrupt counter is reset.



 <b>BOSCH</b>	<b>Preliminary Data Sheet</b> <b>SMB380</b> <b>Triaxial acceleration sensor</b>	Bosch Sensortec
--	---	-----------------

### 3.2.9 Any\_motion\_thres, any\_motion\_dur

For the evaluation using “any motion” criterion successive acceleration data from digital filter output are stored and moving differences for all axes are built. To calculate the difference the acceleration values of all axes at time t0 are compared to values at t0+3/(2\*bandwidth). The difference of both values is equal to the difference of two successive moving averages (from three data points).

The differential value is compared to a global critical threshold any\_motion\_thres (address 10h, bits 7-0). Interrupt can be generated when the absolute value of measured difference is higher than the programmed threshold for long enough duration defined by any\_motion\_dur (address 11h, bits 7 and 6).

Any\_motion\_thres and any\_motion\_dur data are unsigned integer. Any\_motion\_thres LSB size corresponds to 15.6mg for +/- 2g range and scales with range selection (section 3.1.2).

Any motion criterion is valid if  $|\text{acc}(t_0) - \text{acc}(t_0 + 3/(2 * \text{bandwidth}))| \geq \text{any\_motion\_thres}$ .

An interrupt is set if (any motion criterion\_x OR any motion criterion\_y OR any motion criterion\_z) for any\_motion\_dur consecutive times.

The any motion interrupt is reset if NOT(any\_motion criterion\_x OR any\_motion criterion\_y OR any\_motion criterion\_z) for any\_motion\_dur consecutive times.

**Table 8:** any\_motion\_dur settings

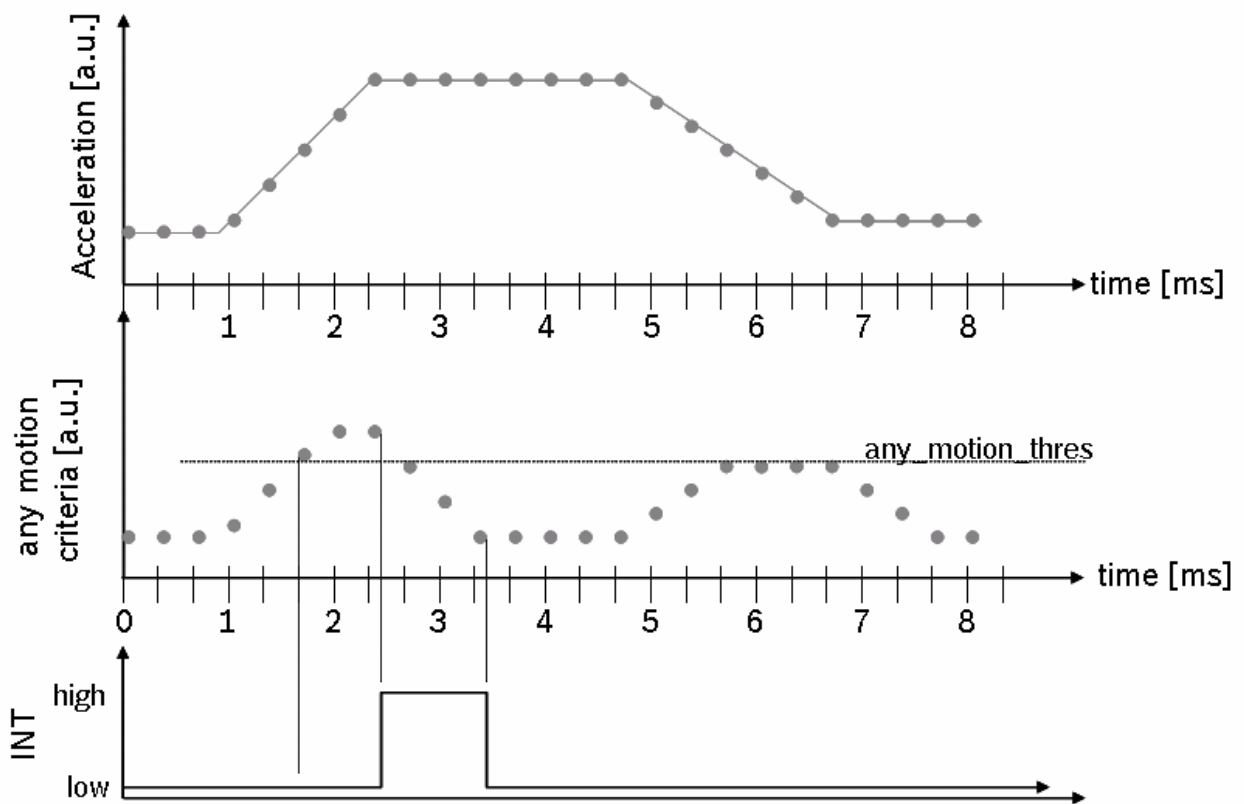
any_motion_dur<1:0>	Number of required consecutive conditions to set or reset the any motion interrupt
<b>00</b>	1
<b>01</b>	3
<b>10</b>	5
<b>11</b>	7

Any\_motion\_dur is used to filter the motion profile and also to define a minimum interrupt duration because the reset condition is also filtered.

Any\_motion\_thres can be used to generate an any\_motion interrupt or to put SMB380 in alert mode to preload the low-g or high-g threshold logic (enables reduction of reaction time in tumbling mode); this is selected by alert bit (section 3.2.5). These two modes (any\_motion and alert) can not be turned on simultaneously.

**Figure 2:** Any motion criterion (middle graph) is determined from digital filter output (upper graph) and depends on bandwidth settings: for example for any\_motion\_dur=01b and bandwidth=110b (1.5kHz), we have  $2 * \text{bandwidth} = 3 \text{ksamples/s}$  which leads to reaction for interrupt activation of  $3 * 333 \mu\text{s} = 1 \text{ms}$  and a minimum any motion interrupt duration of  $3 * 333 \mu\text{s} = 1 \text{ms}$  (see lower graph).

If lower bandwidth is selected i) the digitally filtered values (lower noise) are taken for the verification of the any motion criterion and ii) the time scale to evaluate the criterion is stretched. Thus adjusting the bandwidth, the any motion threshold, the any motion duration as well as the full scale range enables to tailor the sensitivity of the any motion algorithm.



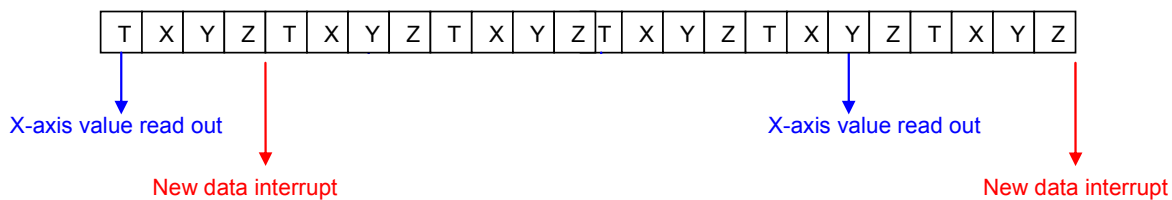
### 3.2.10 New\_data\_int

If this bit (address 15h, bit 5) is set to 1, an interrupt will be generated when all three axes acceleration values are new, i.e. SMB380 updated all acceleration values after latest serial read-out. Interrupt generated from new data detection is a latched one; microcontroller has to write reset\_INT at 1 after interrupt has been detected high (section 3.3.1). This interrupt is also reset by any acceleration byte read procedure (read access to address 02h to 07h).

New data interrupt always occurs at the end of the Z-axis value update in the output register (3kHz rate). Following figure shows two examples of X-axis read out and the corresponding interrupt generation.

**Figure 3:** Explanation of new data interrupt.

- left side - read out command of x-axis prior to next x-axis conversion  
 → new data interrupt after completion of current conversion cycle after z-axis conversion
- right side - read out of x-axis send after x-axis conversion  
 → new data interrupt at the end of next period when x axis has been updated



### 3.3 Control registers

All single control bits are active at 1.

#### 3.3.1 Reset\_INT

This interrupt (address 0Ah, bit 6) is reset (interrupt pad goes to low) each time this bit is written to 1.

#### 3.3.2 Update\_image

When this bit (address 0Ah, bit 5) is set at 1, an image update procedure is started: all EEPROM content is copied to image registers. The bit update\_image is turned at 0 when the procedure is finished. No write or read to image registers and EEPROM write is allowed during their update from EEPROM. An automatic update image procedure also occurs after power on reset and after soft\_reset has been written to 1.

The update\_image procedure may overwrite the SPI4 setting (section 3.1.1). Thus the correct interface configuration may have to be updated.

#### 3.3.3 Ee\_w


ee\_w (address 0Ah, bit 4) is used to enable/disable the access to default setting registers.

This bit must first be written to 1 to enable write access to 16h to 3D and to enable read access to 16h to 22h. When this bit is at 0, any access to addresses from 16h to 7Fh has no effect; any read to these addresses set SDO to tri-state (4-wire SPI) or SDI to tri-state (3-wire SPI and I<sup>2</sup>C). This is valid for all serial interface (I<sup>2</sup>C, SPI 3-wire or SPI 4-wire).

I<sup>2</sup>C acknowledgement procedure for access to non-protected or blocked memory regions:

- I<sup>2</sup>C slave address: if correct, the SMB380 sets acknowledge.
- I<sup>2</sup>C register address (I<sup>2</sup>C write): The SMB380 sets acknowledge for both unprotected and protected registers.
- I<sup>2</sup>C write data (I<sup>2</sup>C write): The SMB380 sets acknowledge for both unprotected and protected registers; no write is done for protected register.
- I<sup>2</sup>C read data (I<sup>2</sup>C read): acknowledge is set by master; no error detection is possible; SDI is set to Hi-Z for protected register (0xFF is sent)

After power on reset ee\_w=0. So EEPROM and all addresses from 16h to 7Fh can not be directly written or read.

 <b>BOSCH</b>	<b>Preliminary Data Sheet</b> <b>SMB380</b> <b>Triaxial acceleration sensor</b>	Bosch Sensortec
--	---	-----------------

### 3.3.4 Selftest\_0

The self-test command (address 0Ah, bit 2) uses electrostatic forces to move the MEMS common electrode. The result from selftest can be verified by reading st\_result (section 3.4.1). During selftest procedurno external change of the acceleration should be generated.

### 3.3.5 Selftest\_1

This self test bit (address 0Ah, bit3) does not generate any electrostatic force in the MEMS element but is used to verify the interrupt function is working correctly and that microprocessor is able to react to the interrupts.

0g acceleration is emulated at ADC input and the user can detect the whole logic path for interrupt, including the PCB path integrity. The LG\_thres register must be set to about 0.4g while LG\_dur = 0 to generate a low-g interrupt

### 3.3.6 Soft\_reset

SMB380 is reset each time this bit (address 0Ah, bit 1) is written to 1. The effect is identical to power-on reset. Control, status and image registers are reset to values stored in the EEPROM. After soft\_reset or power-on reset SMB380 comes up in normal mode or wake-up mode. It is not possible to boot SMB380 to sleep mode.


No serial transaction should occur within 10us after soft\_reset command.

The soft\_reset procedure may overwrite the SPI4 setting (section 3.1.1). Thus the correct interface configuration may have to be updated.

### 3.3.7 Sleep

This bit (address 0Ah, bit 0) turns the sensor IC in sleep mode. Control and image registers are not cleared.

When SMB380 is in sleep mode no operation can be performed but wake-up the sensor IC by setting sleep=0 or soft\_reset. As a consequence all write and read operations are forbidden when the sensor IC is in sleep mode except command used to wake up the device or soft\_reset command. After sleep mode removal, it takes 1ms to obtain stable acceleration values (>99% data integrity). User must wait for 10ms before first EEPROM write. For the same reason, SMB380 must not be turned in sleep mode when any update\_image, self\_test or EEPROM write procedure is on going.

 <b>BOSCH</b>	<b>Preliminary Data Sheet</b> <b>SMB380</b> <b>Triaxial acceleration sensor</b>	Bosch Sensortec
--	---	-----------------

### 3.4 Status registers

#### 3.4.1 St\_result

This is the self test result bit (address 09h, bit 7). It can be used together with selftest\_0 control bit (section 3.3.4). After selftest\_0 has been set, self-test procedure starts. At the end selftest\_0 is written to 0 and microcontroller can react by reading st\_result bit. When st\_result=1 the self test passed successfully.

#### 3.4.2 Alert\_phase

This status bit (address 09h, bit 4) is set when SMB380 has been set to alert mode (section 3.2.5) and an any motion criterion has been detected. During alert phase, HG\_dur and LG\_dur variables are decreased to have a smaller reaction time when HG\_thres and LG\_thres thresholds are crossed; the decrease rate is by 1 ms per ms.

The alert mode is reset when an interrupt generated due to a high threshold or a low threshold event or when both HG\_dur and LG\_dur variables are at 0. When alert is reset, HG\_dur and LG\_dur variables come back to their original values stored in image registers.

#### 3.4.3 LG\_latched, HG\_latched

These status bits (address 09h, bit 3 and address 09h, bit 2) are set when the corresponding criteria have been issued. They are latched and thus only the microcontroller can reset them. When both high acceleration and low acceleration thresholds are enabled, these bits can be used by microprocessor to detect which criteria generated the interrupt.

#### 3.4.4 Status\_LG, status\_HG

These status bits (address 09h, bit 1 and address 09h, bit 2) are set when the corresponding criteria have been issued; they are automatically reset by SMB380 when the criteria disappear.

#### 3.4.5 Customer\_reserved 1, customer\_reserved 2

Both bytes (address 12h, bit 7-0 and address 13h, bit 7-0) can be used by customer. Writing or reading of these registers has no effect on the sensor IC functionality.

If information has to be stored in a non-volatile memory addresses 32h and 33h have to be used. The write access to EEPROM takes ca. 30ms. Since EEPROM has limited write cycle lifetime special care has to be taken to this issue.

### 3.5 Data registers

#### 3.5.1 Temp

A thermometer (address 08h, bit 7-0) is embedded in SMB380. Temperature resolution is 0.5°C/LSB. Code 00h stands for lowest temperature which is -30°C. This minimum value can be corrected by trimming of the offset of the temperature sensor IC (not described in this datasheet).

#### 3.5.2 Acc\_x, acc\_y, acc\_z

Acceleration values are stored in the following registers to be read out through serial interface.

**acc\_x** (02h, 7-6; 03h, 7-0)

**acc\_y** (04h, 7-6; 05h, 7-0)

**acc\_z** (06h, 7-6; 07h, 7-0)

The description of the digital signals acc\_x, acc\_y and acc\_z is “2’s complement”.

From negative to positive accelerations, the following sequence for the ±2g measurement range can be observed (±4g and ±8g correspondingly):

-2.000g	:	10 0000 0000
-1.996g	:	10 0000 0001
...		
-0.004g	:	11 1111 1111
0.000g	:	:00 0000 0000
+0.004g	:	00 0000 0001
...		
+1.992g	:	01 1111 1110
+1.996g	:	01 1111 1111

Data is periodically updated (rate 3kHz) with values from the digital filter output. LSB acceleration bytes must be read first. After an acceleration LSB byte read access, the corresponding MSB byte update can optionally be blocked until it is also accessed for read. Thus, MSB / LSB mix from different samples can be avoided (section 3.1.6).

It is not possible to read-out only MSB bytes if shadow\_dis=0, an LSB byte must first be read out. To be able to read out only MSB byte, shadow\_dis must be written to 1.

new\_data\_\* flags on bits 0 of acc\_x (LSB), acc\_y (LSB) and acc\_z (LSB) can be used to detect if acceleration values have already been read out (section 3.5.3).

If systematic acceleration values read out is planned (for signal processing by the microcontroller), the interrupt pad can be programmed to flag the new data (section 3.2.10). Every time all temperature plus three axes values have been updated, the interrupt goes high

and microcontroller can read out data. With this method, microcontroller accesses are synchronized with internal sensor IC updates.

Synchronization of read-out sequence has several advantages:

- it enables a constant phase shift between acceleration conversion and its corresponding digital value read by microprocessor
- it reduces interface communication by avoiding over-sampling.
- potential noise due to serial interface activity perturbation would always be generated during a less critical phase of the conversion cycle. The maximum delay advised to start read out acceleration data is 20µs after INT high (window 0-80µs).

### **3.5.3 New\_data\_x, new\_data\_y, new\_data\_z**

These bits (New\_data\_x (02h, 0), new\_data\_y (04h, 0), new\_data\_z (06h, 0)) are flags which are turned at 1 when acceleration registers have been updated. Reading acceleration data MSB or LSB registers turns the flags at 0. The flag value can be read by microprocessor.

### **3.5.4 Al\_version, ml\_version, chip\_id**

al\_version (address 01h, bit 7-4) and ml\_version (address 01h, bit 3-0) are used to identify the chip revision. These codes are programmed with metal layer.

chip\_id (address 00h, bit 2-0) is used by customer to be able to recognize SMB380. This code is fixed to 010b.



## 4. Digital interface

Although the SMB380 can basically operate in a stand-alone mode without an external microcontroller (see chapter 6 for more details), it also provides various options to be adjusted to customer specific hardware requirements using a microcontroller. Therefore, it provides three different digital interfaces (SPI 4-wire, SPI 3-wire, I<sup>2</sup>C) and an interrupt output pin.

The digital interface is used for regular reading of data registers (acceleration and temperature). For a complete read out of acceleration data two successive read cycles are required. The 10 bit coded data word is split into 8 MSB and 2 LSB. The most significant bit (MSB) is transferred first during address and data phases.

The serial interface is also used for verifying status registers or writing to control registers or customized EEPROM programming.

### 4.1 SPI

The SPI interfaces using three wire or four wire bus provide 16-bit protocols. Multiple read out is possible.

The communication is opened with a read/write control bit (R/W=0 for writing, R/W=1 for reading) followed by 7 address bits and at least 8 data bits (see figure 6 and figure 7). For a complete readout of 10 bit acceleration data from all axes the sensor IC provides the option to use an automatic incremented read command to read more than one byte (multiple read). This is activated when the serial enable pin CSB (chip select) stays active low after the read out of a data register. Thus, read out of data LSB will also cause read out of MSB if the CSB stays low for further 8 cycles of system clock.

The customer has the possibility to communicate with operational registers at addresses 00h-15h via SPI interface (chip identification Bytes, data Bytes, status and control registers with setting parameters). Access to the residual part of the memory map is locked (section 3.3.3). If the master addresses outside the range 00h-15h then SDI will go to tri-state enabling the communication of a second device on the same CSB and SDI line.

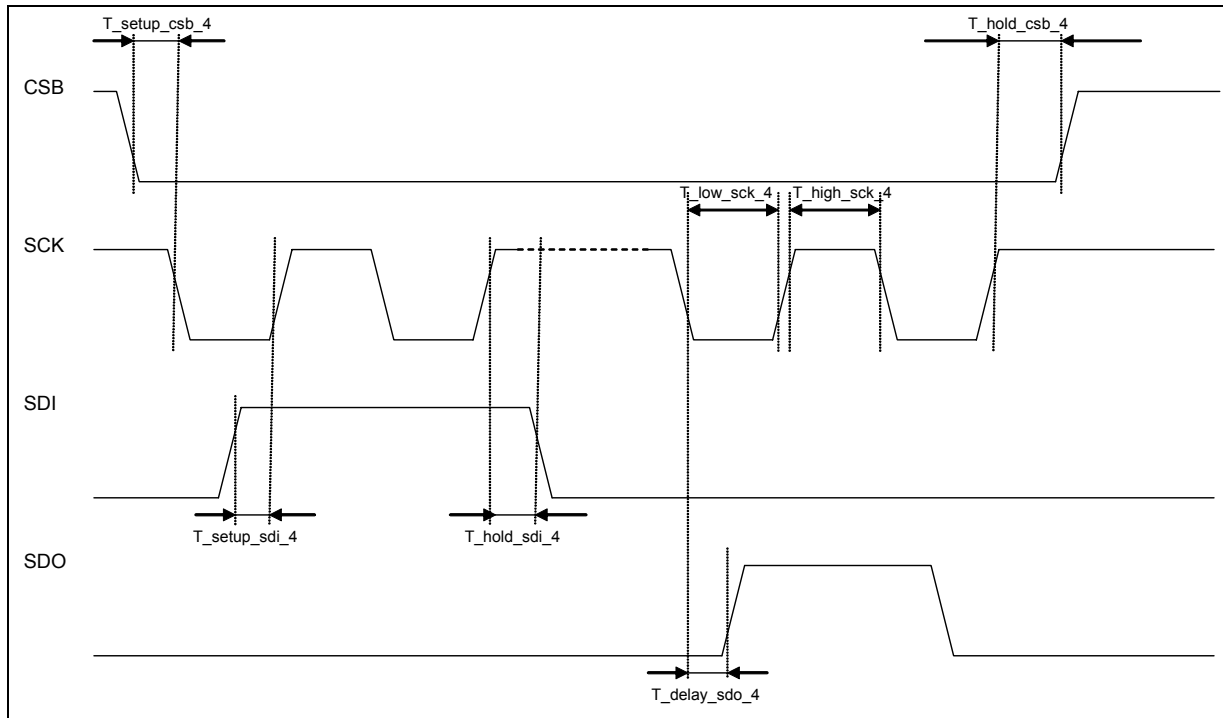
The CSB input has an internal 120kΩ pull-up resistor to VDDIO.  
For more details, please refer to chapter 6 within this document.

#### 4.1.1 Four-wire SPI interface

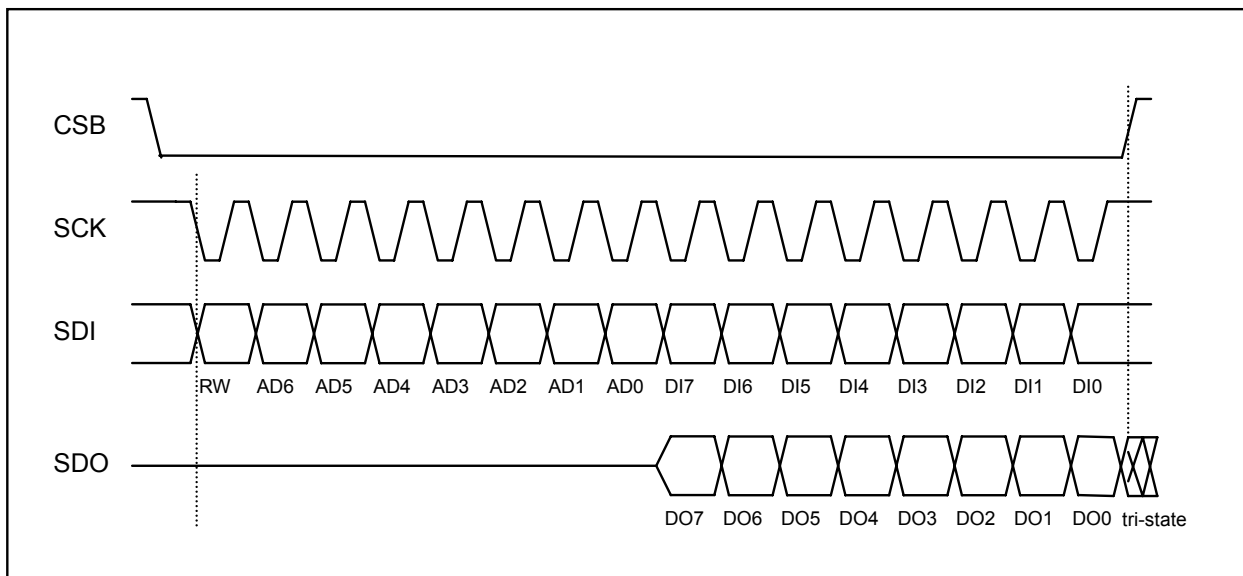
The 4-wire SPI is the default serial interface. The customer can easily activate 3-wire SPI by writing a control bit (SPI4=0). The 4-wire SPI interface uses SCK (serial clock), CSB (chip select), SDI (serial data in) and SDO (serial data out).


CSB is active low. Data on SDI is latched by SMB380 at SCK rising edge and SDO is changed at SCK falling edge (SPI mode 3). Communication starts when CSB goes to low and stops when CSB goes to high; during these transitions on CSB, SCK must be high. While CSB=1, no SDI change is allowed when SCK=1.

**Figure 4:** Timing diagram for four-wire SPI interface



**Figure 5:** Four wire SPI bit transfer



 <b>BOSCH</b>	<b>Preliminary Data Sheet</b> <b>SMB380</b> <b>Triaxial acceleration sensor</b>	Bosch Sensortec
--	---	-----------------

**Table 9:** Specification of four-wire SPI serial interface

<b>Interface parameters :</b>		<b>Conditions</b>	<b>Min.</b>	<b>Typ.</b>	<b>Max.</b>	<b>unit</b>
Input - low level	Vil_si	Vddio=1.62V to 3.6V			0.3*Vddio	V
Input - high level	Vih_si	Vddio=1.62V to 3.6V	0.7*Vddio			V
Output – low level	Vol_SDI	Vddio=1.8V, iol=3 mA			0.4	V
Output – high level	Voh_SDI	Vddio=1.8V, ioh=1mA	1.4			V
Load capacitor (on SDO)	Csdo_spi	For 10MHz SPI transfer			25	pF
CSB pull-up resistor	CSB_pull_up	Internal pull-up resistance to VDDIO	70	120	190	kΩ
<b>4-wire SPI timings :</b>						
SPI clock input frequency	Fspi_4				10	MHz
SCK low pulse	Tlow_sck_4		5			ns
SCK high pulse	Thigh_sck_4		5			ns
SDI setup time	Tsetup_sdi_4		5			ns
SDI hold time	Thold_sdi_4		5			ns
SDO output delay	Tdelay_sdo_4				25	ns
CSB setup time	Tsetup_csb_4		5			ns
CSB hold time	Thold_csb_4		5			ns

**Figure 6:** When write is required, sequences of 2 bytes are necessary: 1 control byte to define the address to be written and the data byte.

		Control byte								Data byte										Control byte								Data byte									
Start	RW	Register address (16h)								Data register - adress 1Eh								RW	Register address (0Bh)								Data register - adress 02h								Stop		
CSB = 0		0	0	0	1	0	1	1	0	X	X	X	X	X	X	X	X	X	0	0	0	0	1	0	1	1	X	X	X	X	X	X	X	X	CSB = 1		

**Figure 7:** When read access is required, the sequence consists of 1 control byte to define first address to be read followed by data bytes. Addresses are automatically incremented as long as CSB stays active low.

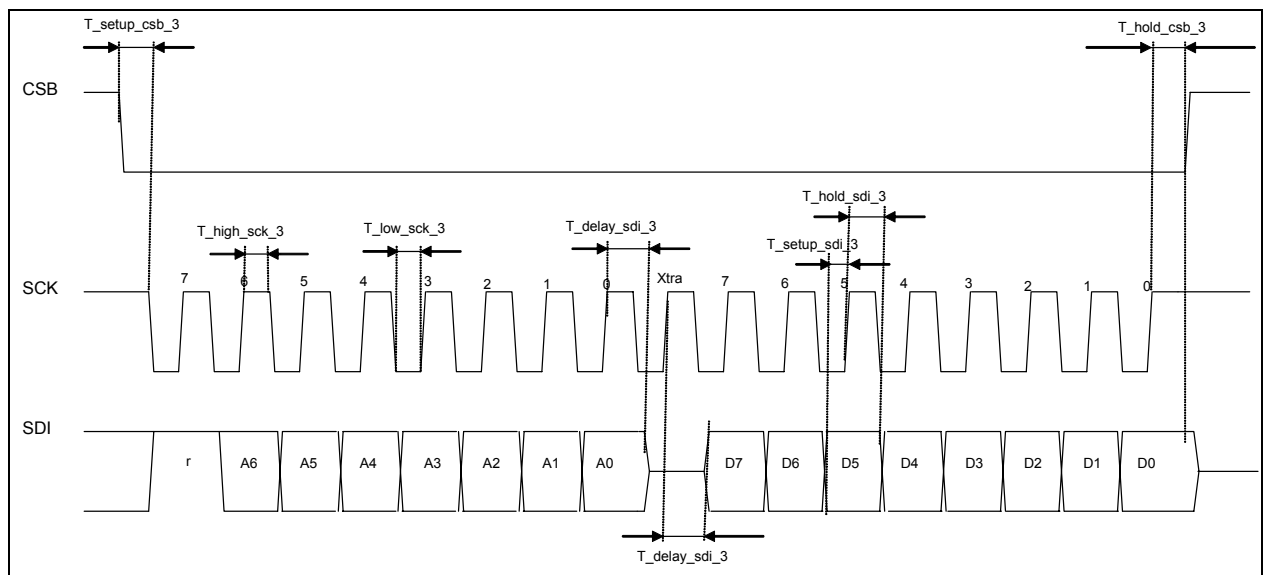
		Control byte								Data byte								Data byte								Data byte									
Start	RW	Register address (02h)								Data register - adress 02h								Data register - adress 03h								Data register - adress 04h								Stop	
CSB = 0		1	0	0	0	0	0	1	0	X	X	X	X	X	X	X	X	X	X	X	X	X	X	X	X	X	X	X	X	X	X	X	X	CSB = 1	


### 4.1.2 Three-wire SPI interface

3-wire SPI is not the default serial interface. The customer can easily activate 3-wire SPI by setting a control bit (SPI4=0). The 3-wire SPI interface uses SCK (serial clock), CSB (chip select, active low) and SDA (serial data in/out). A maximum clock frequency up to 70MHz can be handled.

The protocol data acquisition by the sensor IC occurs at the rising edge of SCK. The output data provided by the sensor IC is synchronized also on the rising edges of SCK. The 3-wire read protocol needs one extra clock cycle between address byte and data output byte.

**Figure 8:** Timing diagram for three-wire SPI interface (SDI = SDA)

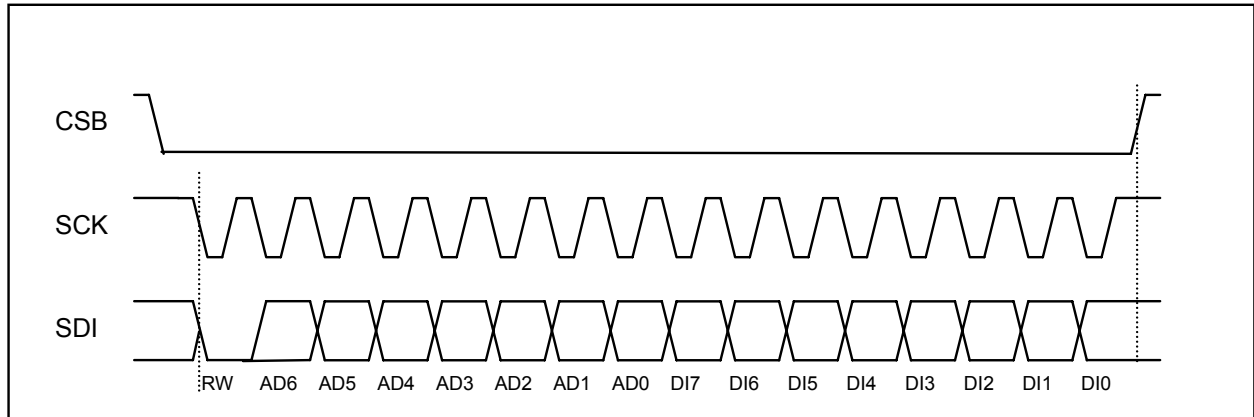


 <b>BOSCH</b>	<b>Preliminary Data Sheet</b> <b>SMB380</b> <b>Triaxial acceleration sensor</b>	Bosch Sensortec
--	---	-----------------

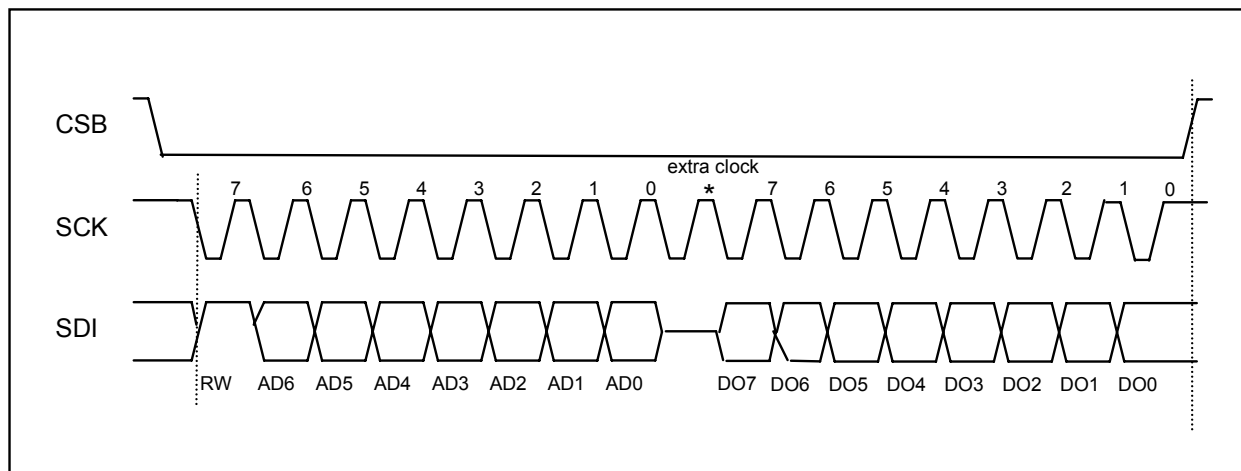
**Table 10:** Specification of three-wire SPI serial interface

		Conditions	Min.	Typ.	Max.	unit
Input - low level	Vil_si	Vddio=1.62V to 3.6V			0.3*Vddio	V
Input - high level	Vih_si	Vddio=1.62V to 3.6V	0.7*Vddio			V
Output – low level	Vol_SDI	Vddio=1.8V, iol=3 mA			0.4	V
Output – high level	Voh_SDI	Vddio=1.8V, ioh=1mA	1.4			V
CSB pull-up resistor	CSB_pull_up	Internal pull-up resistance to VDDIO	70	120	190	kΩ
Load capacitor (on SDO)	Csdo_spi	for 70MHz SPI transfer			10	pF
<b>3-wire SPI timings :</b>						
SPI clock input frequency	Fspi_3				70	MHz
SCK low pulse	Tlow_sck_3		5			ns
SCK high pulse	Thigh_sck_3		5			ns
SDI setup time	Tsetup_sdi_3		3.8			ns
SDI hold time	Thold_sdi_3		2			ns
SDI output delay	Tdelay_sdi_3	when SDI is an output for read			10.5	ns
CSB setup time	Tsetup_csb_3		5			ns
CSB hold time	Thold_csb_3		5			ns

**Figure 9:** The three wire SPI write protocol is identical to four wire bus



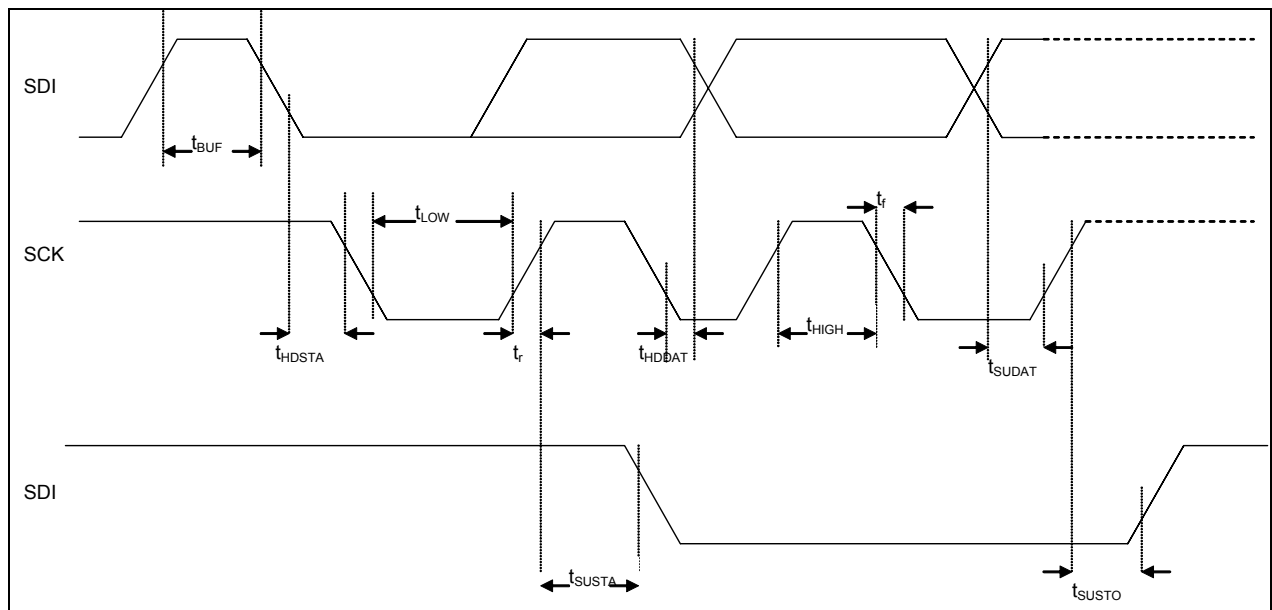
**Figure 10:** For three wire read protocol one extra clock between address byte and data out byte is required. Output data are changed on SDI (SDI=SDA) by SCK rising edge and should be latched by microprocessor during next SCK rising edge.




#### 4.2 I<sup>2</sup>C interface

The SMB380 automatically detects I<sup>2</sup>C or SPI communication. Please refer to chapter 6 later in this document. The I<sup>2</sup>C bus uses SCK (serial clock) and SDA (=SDI, serial data input/output). SDA is bidirectional with pull down open drain; it must be externally connected to VDDIO via a pull up resistor. CSB is not used and must be connected to VDDIO.

**Figure 11:** Timing diagram for I<sup>2</sup>C interface (SDI=SDA)





 <b>BOSCH</b>	<b>Preliminary Data Sheet</b> <b>SMB380</b> <b>Triaxial acceleration sensor</b>	Bosch Sensortec
--	---	-----------------

**Table 11:** Specification of I<sup>2</sup>C serial interface (SDI=SDA)

Interface parameters :		Conditions	Min.	Typ.	Max.	unit
Input - low level	Vil_si	Vddio=1.62V to 3.6V			0.3*Vddio	V
Input - high level	Vih_si	Vddio=1.62V to 3.6V	0.7*Vddio			V
Output – low level	Vol_SDI	Vddio=1.8V, iol=3 mA			0.4	V
Output – high level	Voh_SDI	Vddio=1.8V, ioh=1mA	1.4			V
I <sup>2</sup> C bus load capacitor	Cb	On SDI and SCK			100	pF
<b>I<sup>2</sup>C timings :</b>						
SCK frequency	F <sup>I2C</sup>				3.4	MHz
SCK low period	Tlow		160			ns
SCK high period	Thigh		60			ns
SDI setup time	Tsudat		10			ns
SDI hold time	Thddat		10		70	ns
Setup time for a repeated start condition	Tsusta		160			ns
Hold time for a start condition	Thdsta		160			ns
Setup time for a stop condition	Tsusto		160			ns
Time before a new transmission can start	Tbuf		100			ns

**Start and stop conditions:**

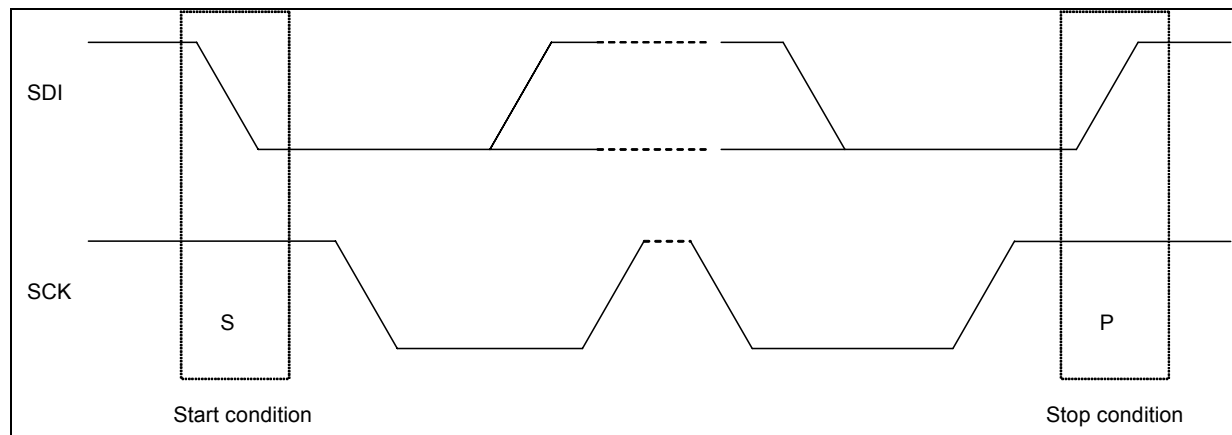
Data transfer begins by a falling edge on SDA when SCK is high (start condition (S) indicated by I<sup>2</sup>C bus master). Stop condition (P) is a rising edge on SDA when SCK is high (see figure 12).

**Bit transfer:**

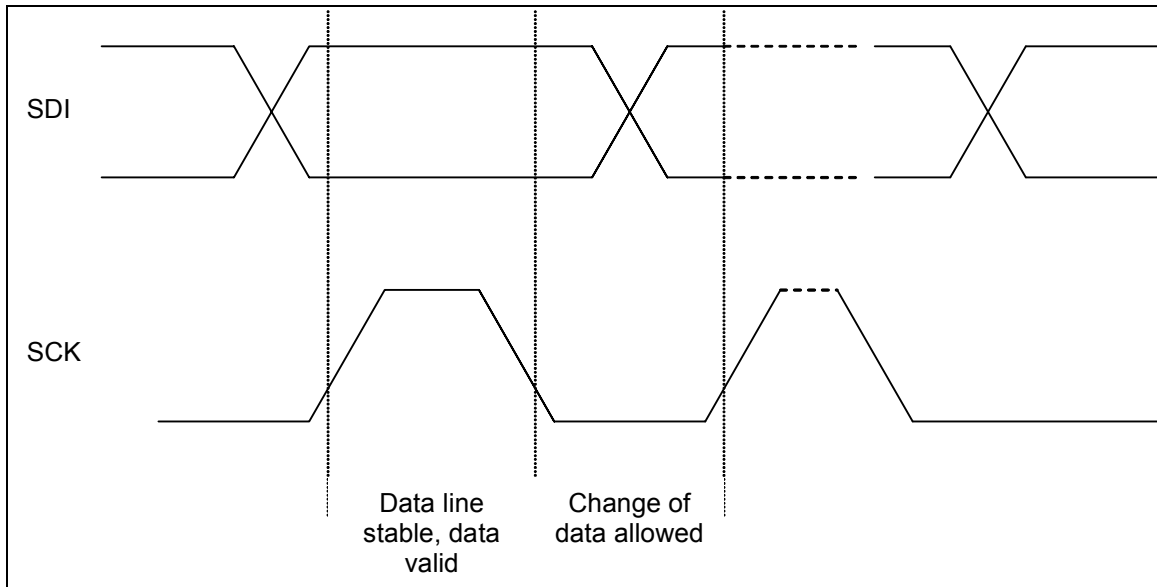
One data bit is transferred during each SCK pulse. Data on SDA line must remain stable during high period of SCK pulse (see figure 13).

**Acknowledge:**

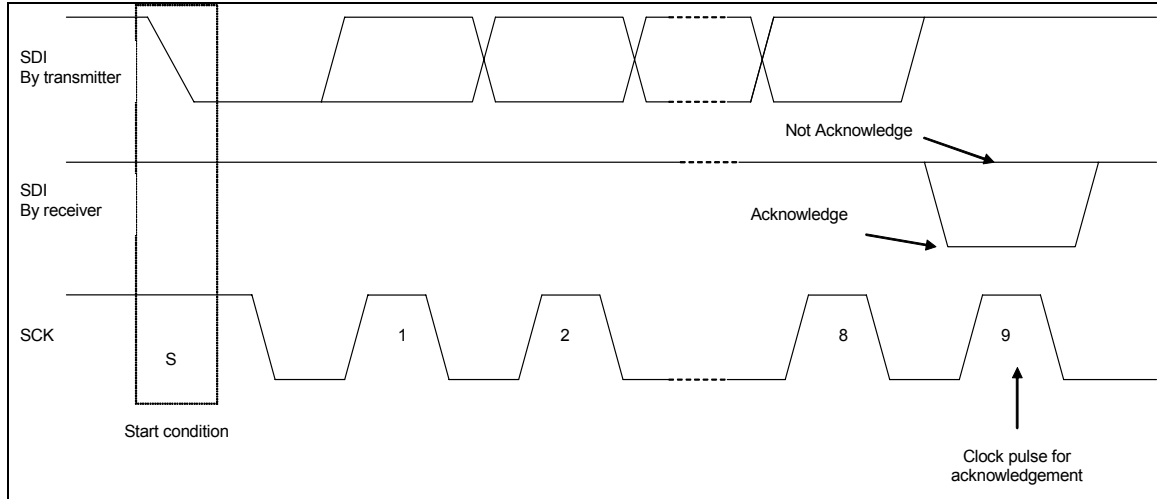
After start condition each byte of data transfer is followed by an acknowledge bit. The transmitter let the SDA line high (no pull down) and generates a high SCK pulse. If SMB380 has been addressed and data transfer has performed correctly it generates a low SDA level (active pull down). Then SDA line is let free enabling the next transfer (see figure 14).

**Figure 12:** Timing diagram for I<sup>2</sup>C start and stop condition (SDI=SDA)

**Figure 13:** Timing diagram for one bit transfer with I<sup>2</sup>C interface (SDI=SDA)



**Figure 14:** Timing diagram for I<sup>2</sup>C acknowledgement on SDI (SDI=SDA)



#### 4.2.1 I<sup>2</sup>C protocol:

The SMB380 I<sup>2</sup>C slave address is coded on 7 bits (0111000b=38h) fixed by a metal option. Thus I<sup>2</sup>C write address is 01110000b (=70h), read address is 01110001b (=71h).

After a start condition, the slave address + RW bit must be send. If the slave address does not match with SMB380 there is no acknowledgement and the following data transfer will not affect the chip. If the slave address corresponds to SMB380 it will acknowledge (pull SDA down during 9th clock pulse) and data transfer is enabled. The 8th bit RW sets the chip in read or write mode, RW=1 for reading, RW=0 for writing.

After slave address and RW bit, the master sends 1 control byte: the 7-bit register address and one dummy bit.

When SMB380 is accessed in write mode, sequences of 2 bytes (= 1 control byte to define which address will be written and 1 data byte) must be sent:

**Figure 15:** I<sup>2</sup>C multiple write protocol



To be able to access registers in read mode, first address has to be send in write mode. Then a stop and a start conditions are issued and data bytes are transferred with automatic address increment:

**Figure 16:** I<sup>2</sup>C multiple read protocol. Address register is first written to SMB380, the RW=0 (lowest acceleration data located at address 02h). I<sup>2</sup>C transfer is stopped and restarted with RW=1, address is automatically incremented and the 6 bytes can be sequentially read out.



## 5. Package

### 5.1 Outline dimensions

The SMB380 is packaged in a 3mm x 3mm x 0.9mm mold package following JEDEC MO-229.

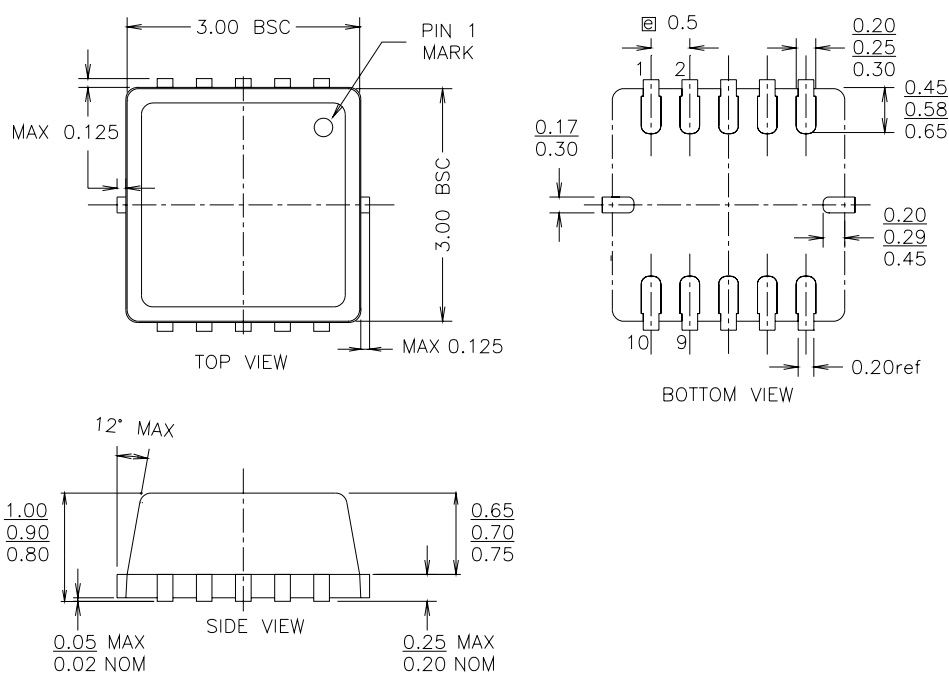
Package outline geometry is based on:

- Mold package footprint      3mm x 3mm (tolerance  $\pm 0.1\text{mm}$ )
- Height                              0.9mm
- No. of leads                      10 (8 used for electrical connection)  
 Remark: two additional metal features on front edges without electrical functionality
- Lead pitch                        0.5mm

Please note: In addition to QFN package the SMB380 will be available in LGA package as well codenamed "BMA150". The QFN and LGA packages are 100% pin compatible.

The overlapping pins at the two opposite edges of the QFN package can be used for facilitating optical inspection of the solder joints after PCB assembly.

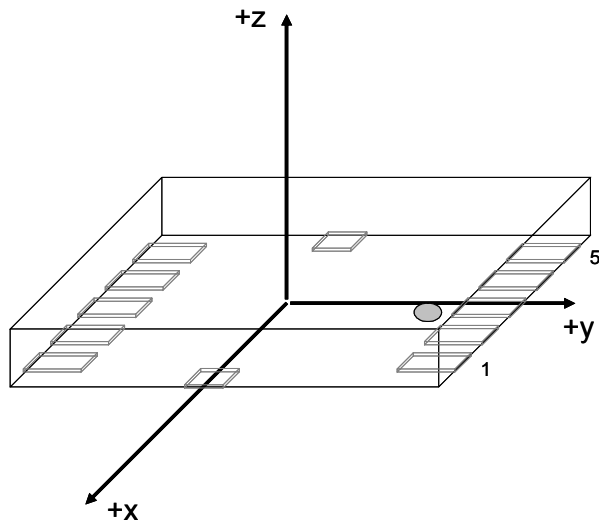
**Figure 17:** Top, bottom and side views of the 3mm x 3mm x 0.9mm QFN package outline drawing (dimensions in mm)



## 5.2 Axes orientation

The following diagram describes the orientation of the package with respect to the axes of acceleration measurement.

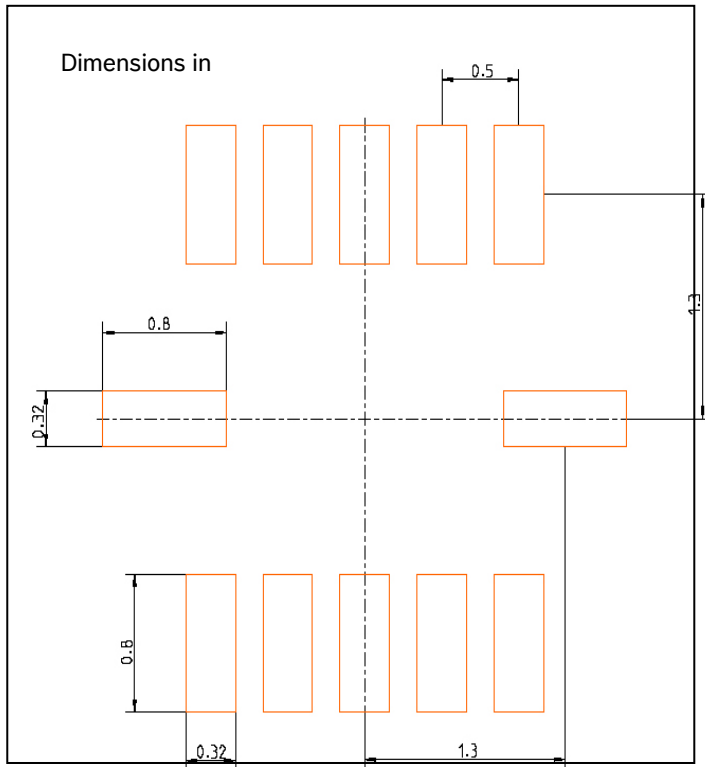
**Figure 18:** Axes orientation of the SMB380



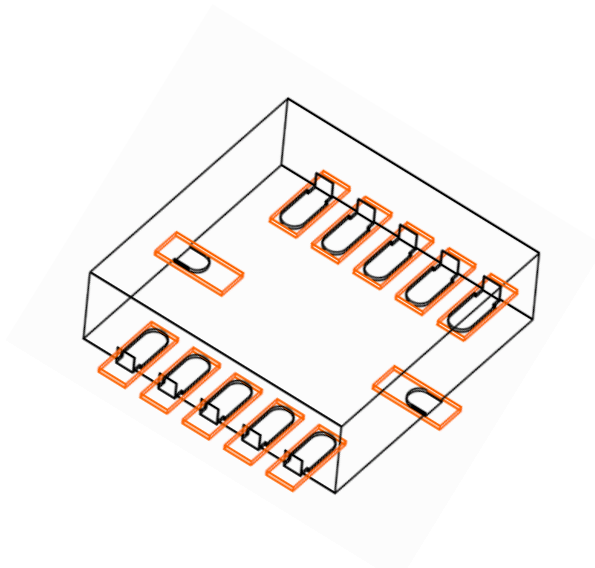
**5.3 Landing pattern recommendations**

As for the design of the landing patterns, the following recommendations can be given:  
 Note: this information is valid for QFN (SMB380) as well as LGA packages (BMA150)


**Figure 19:** Landing patterns for the SMB380



**Figure 20:** Perspective view of the SMB380 relative to the PCB landing pattern.





 <b>BOSCH</b>	<b>Preliminary Data Sheet</b> <b>SMB380</b> <b>Triaxial acceleration sensor</b>	Bosch Sensortec
--	---	-----------------

#### 5.4 Moisture sensitivity level and soldering

The moisture sensitivity level of the SMB380 sensor IC corresponds to JEDEC Level 1, see also

- IPC/JEDEC J-STD-020C "Joint Industry Standard: Moisture/Reflow Sensitivity Classification for Non-hermetic Solid State Surface Mount Devices"
- IPC/JEDEC J-STD-033A "Joint Industry Standard: Handling, Packing, Shipping and Use of Moisture/Reflow Sensitive Surface Mount Devices".

The sensor IC fulfils the lead-free soldering requirements of the above-mentioned IPC/JEDEC standard, i.e. reflow soldering with a peak temperature up to 260°C.

For more details, please refer to the "Handling, soldering & mounting instructions" document for the SMB380.

#### 5.5 RoHS compliancy

The SMB380 sensor IC meets the requirements of the EC restriction of hazardous substances (RoHS) directive, see also:

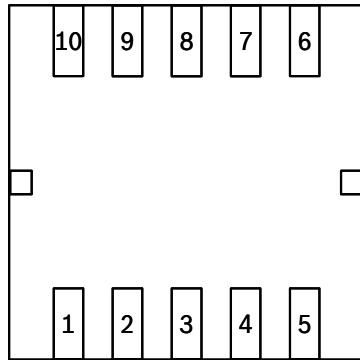
"Directive 2002/95/EC of the European Parliament and of the Council of 27 January 2003 on the restriction of the use of certain hazardous substances in electrical and electronic equipment".

The halogen content of the SMB380 is < 300ppm.

## 6. Pin-out out and connection diagrams

**Figure 21:** Pin-out of the SMB380 (top view);

Note: The pin-out of the SMB380 in QFN and SMB380 in LGA package (=BMA150) are identical.

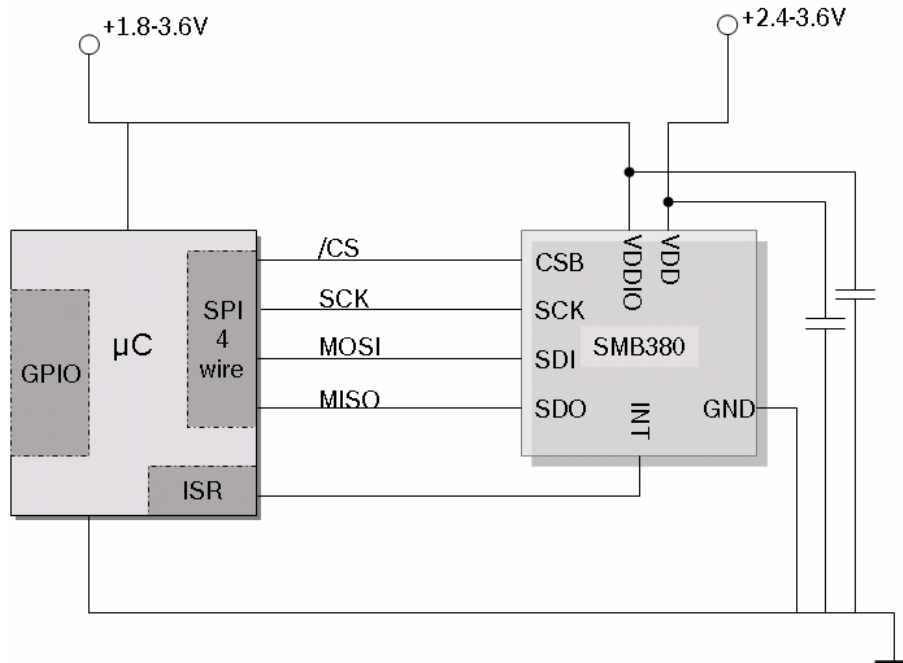


**Table 12:** Pin-out description of the SMB380

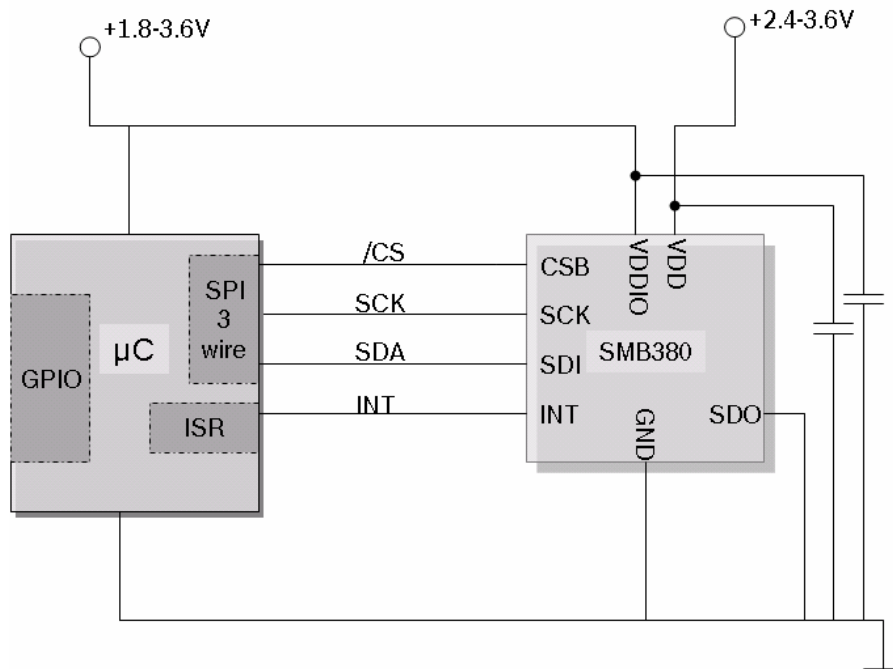
Pin No	Name	Type	Description	Connect to (in SPI 4w)	Connect to (in SPI 3w)	Connect to (in I <sup>2</sup> C)	Stand alone (without $\mu$ C)
1	reserved		Do not connect	NC	NC	NC	NC
2	VDD	Power	Analogue power supply	VDD	VDD	VDD	VDD
3	GND	Power	Ground	GND	GND	GND	GND
4	INT	Output	Interrupt	INT / NC	INT / NC	INT / NC	INT
5	CSB	Input	Chip select	CSB	CSB	VDDIO	VDD
6	SCK	Input	Serial clock	SCK	SCK	SCK	GND
7	SDO	Output	Serial data out	SDO	GND	GND	GND
8	SDI	Input / Output	Serial data in / out	SDI	SDA	SDA	GND
9	VDDIO	Power	Digital interface power supply	VDDIO	VDDIO	VDDIO	VDD
10	reserved		Do not connect	NC	NC	NC	NC

Recommendation for decoupling: between GND and VDD (pin 1 or 2) a 22nF capacitor and between GND and IOVDD (pin 9) a 100nF capacitor should be connected.

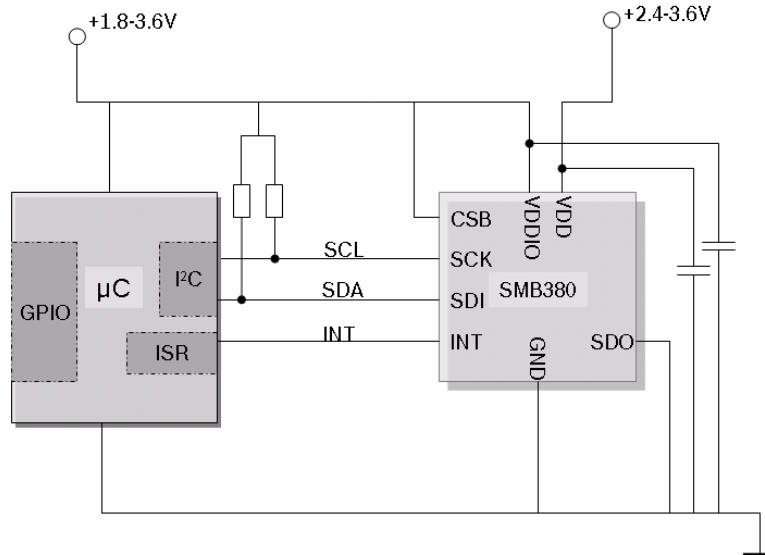
**Figure 22:** Connection diagram for use with 4-wire SPI interface



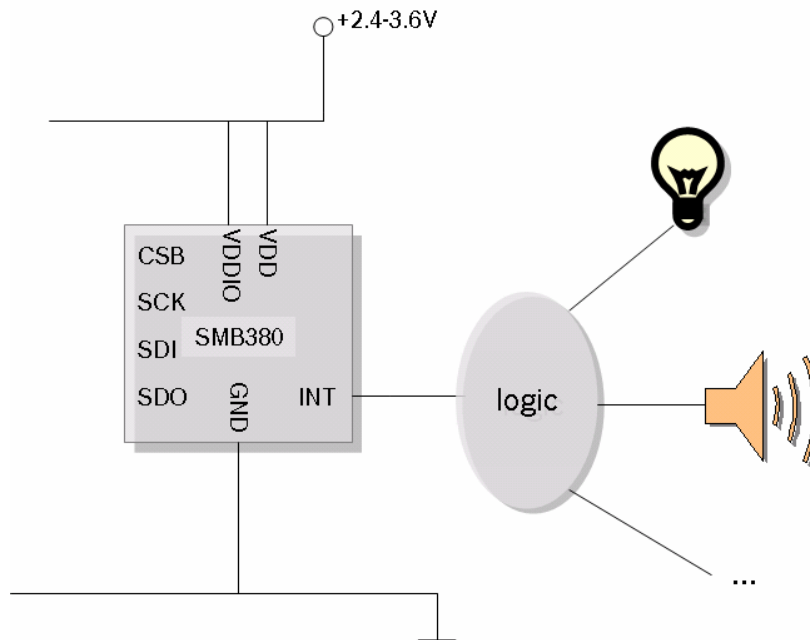
**Figure 23:** Connection diagram for use with 3-wire SPI interface



**Figure 24:** Connection diagram for use with I<sup>2</sup>C interface



**Figure 25:** Connection diagram for stand alone use without microcontroller



## 7. Operation modes

### 7.1 Normal operational mode

In normal operational mode the sensor IC can be addressed via digital interface. Data and status registers can be read out and control registers and EEPROM values can be read and changed. In parallel to normal operation the user has the option to activate several internal logic paths and set criteria to trigger the interrupt pin. SMB380 is designed to enable low current consumption of 200 $\mu$ A in operational mode.

A self-test procedure can be started in operational mode for testing of the complete signal evaluation path including the micromachined sensor IC structure, the evaluation ASIC and the physical connection to the host system.

### 7.2 Sleep mode

Sleep mode is activated by setting a control bit. In sleep mode no communication with the sensor IC is possible – all read and write commands are forbidden. The only command to be accepted is the wake-up call to switch to operational mode or a soft reset. Wake-up time from sleep to operational mode is 1ms. Start-up time in power on phase (V<sub>dd</sub> from 0V to 2.5V) is 3ms. The current consumption in sleep mode is 1 $\mu$ A.

### 7.3 Wake-up mode

In general SMB380 is attributed to low power applications and can contribute to the system power management.

- Current consumption 200 $\mu$ A operational
- Current consumption 1 $\mu$ A sleep mode
- Wake-up time 1ms
- Start-up time 3ms
- Wake-up mode to trigger a system wake-up (interrupt output to master) when motion detected
- Current consumption in wake-up mode between e.g. 1.5 $\mu$ A (slow response 2.5sec) or 6 $\mu$ A (faster response 80msec)

The SMB380 provides the possibility to wake up a system master when specific acceleration values are detected. Therefore the SMB380 stays in an ultra low power mode and periodically evaluates the acceleration data with respect to interrupt criteria defined by the user. An interrupt output can be generated and trigger the system master. The wake-up mode is used for ultra-low power applications where inertial factors can be an indicator to change the activity mode of the system.

**BOSCH**

**Preliminary Data Sheet**  
**SMB380**  
**Triaxial acceleration sensor**

Bosch Sensortec

The following table shows values calculated for the current consumption during wake-up mode of the SMB380. The power consumption in wake-up mode is dependent on the duration of the interrupt algorithm. Thus, bandwidth and duration settings (any motion duration, low-g and high-g duration) have to be taken into account. For the calculation the use of any motion interrupt has been assumed:

	<b>Current consumption during SMB380 wake-up mode [<math>\mu</math>A]</b> (depending on bandwidth, calculated using typical values)						
<b>Pause [msec]</b>	(@ 1,500Hz)	(@ 750Hz)	(@375Hz)	(@190Hz)	(@100Hz)	(@50Hz)	(@25Hz)
<b>20</b>	21,7	24,3	29,4	38,4	52,5	75,6	105,2
<b>80</b>	6,6	7,4	8,9	11,9	17,0	26,9	43,9
<b>360</b>	2,3	2,5	2,8	3,5	4,8	7,4	12,5
<b>2,560</b>	1,2	1,2	1,3	1,4	1,5	1,9	2,7

## 8. Data conversion

### 8.1 Acceleration data

Acceleration data are converted by a 10bit ADC. The description of the digital signal is "2's complement". The 10 bit data are available as LSB (at lower register address) and MSB. It is possible to read out MSB only (8 bit) and LSB/MSB (16 bits with 10 data bits and 1 data ready bit) while LSB- and MSB-data are closely linked to avoid unintentional LSB/MSB mixing when read out and data conversion overlap accidentally (section 3.5.2).

The update rate of data registers is 3kHz, independent of the digital filter. The acceleration data is filtered by a second order analog filter at 1.5kHz. Additionally the data can be processed by digital averaging filters (moving average) to reduce the noise level (750Hz – 25Hz).

The transfer function of the mechanical element is designed to avoid resonance effects at frequencies below the bandwidth of the ASIC.

The availability of new data can be checked in two ways:

- Bit 0 from the LSB data registers is an indicator whether the data have already been read out or the data are new (Bit0=1) (section 3.5.3).
- The interrupt pin can be configured to indicate new data availability (not possible in parallel to internal interrupt logic). The synchronization of data acquisition and data read out enables the customer to avoid unnecessary interface traffic in order to reduce the system power consumption and the crosstalk between interface communication and data conversion. For a detailed explanation see Figure 23. (section 3.2.10)

**Figure 26:** Explanation of data ready interrupt: For a bandwidth of e.g. 1.5kHz the data refresh cycle takes 330µs to update all data registers. After the final conversion of z-axis the INT pad will be set high. New data can be read out via interface (recommendation: read out within 20µs after interrupt is high during the conversion of the next temperature value). The interrupt resets automatically after read out.





**BOSCH**


**Preliminary Data Sheet**  
**SMB380**  
**Triaxial acceleration sensor**

Bosch Sensortec

## **8.2 Temperature measurement**

Temperature data are converted to a 8bit data register. The temperature output range can be adapted to customer's requirements by offset correction.



 <b>BOSCH</b>	<b>Preliminary Data Sheet</b> <b>SMB380</b> <b>Triaxial acceleration sensor</b>	Bosch Sensortec
--	---	-----------------

## 9. Internal logic functions

The sensor IC can inform the host system about specific conditions (e.g. new data ready flag or acceleration thresholds passed) by setting an interrupt pin high even if interface communication is not taking place. This feature can be used as “freefall indicator”, “wake-up” or “data ready flag” for instance.

The interrupt performance can be programmed by means of control bits. Thus the criteria to identify a special event can be tailored to a customer’s application and the sensor IC output can be defined specifically.

### 9.1 Freefall logic

For freefall detection the absolute value of the acceleration data of all axes are investigated (global criteria). A freefall situation is likely to occur when all axes fall below a lower threshold value (“LG\_thres”). The interrupt pin will be raised high if the threshold is passed for a minimum duration. The duration time can be programmed in units of ms (max. 255ms).

The function “Freefall Interrupt” can be switched on/off by a control bit which is located within the image of the non-volatile memory. Thus this functionality can be stored as default setting of the sensor IC (EEPROM) but can also rapidly be changed within the image.

The reset of the freefall interrupt can be accomplished by means of a master reset of the interrupt flag (latched interrupt) or the reset can be triggered by the acceleration signal itself (validation of a programmable “hysteresis”).

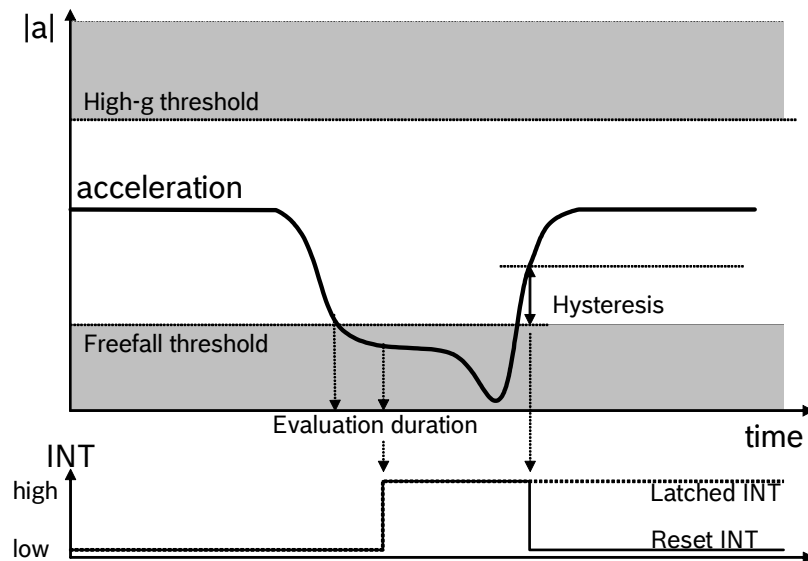
See also section 3.2.7.

### 9.2 High-g logic

For indicating high-g events an upper threshold can be programmed. This logic can also be activated by a control bit. Threshold, duration and reset behaviour can be programmed. The high-g and freefall criteria can be logically combined with an <OR>.

See also section 3.2.8.

**Figure 27:** Explanation of freefall and high-g detection. Please see explanation within the text.



### 9.3 Any motion detection

The “any motion algorithm” can be used to detect changes of the acceleration. Thus it provides a relative evaluation of the acceleration signals. The criterion is kind of a gradient threshold of the acceleration over time. Thus one can distinguish between fast events with strong inertial dynamic (e.g. shock), instant changes of force balance (e.g. drop, tumbling) and even slight changes (e.g. touch of a mobile device).

Due to a high bandwidth and a fast response MEMS device SMB380 is capable to detect shock situations. The “any motion interrupt” or a high-g criterion setting can be used to give a shock alert. The phase shift between onset of mechanical shock and interrupt output is defined by the mechanical transfer function of the chassis and internal mounting interfaces (e.g. PDA shell) and the data output rate of the sensor IC (currently 330 $\mu$ sec, 100 $\mu$ sec under consideration).

See also section 3.2.9.

### 9.4 Alert Mode

In SMB380 it is possible to combine the “any motion criterion” with low-g and high-g interrupt logic to improve the reaction time for e.g. a free-fall identification.

See also sections 3.2.9 and 3.4.2.

## 10. Disclaimer

### 10.1 Engineering samples

Engineering Samples are marked with an asterisk (\*) or (e). Samples may vary from the valid technical specifications of the product series contained in this data sheet. They are therefore not intended or fit for resale to third parties or for use in end products. Their sole purpose is internal client testing. The testing of an engineering sample may in no way replace the testing of a product series. Bosch Sensortec assumes no liability for the use of engineering samples. The Purchaser shall indemnify Bosch Sensortec from all claims arising from the use of engineering samples.


### 10.2 Product use

Bosch Sensortec products are developed for the consumer goods industry. They may only be used within the parameters of this product data sheet. They are not fit for use in life-sustaining or security sensitive systems. Security sensitive systems are those for which a malfunction is expected to lead to bodily harm or significant property damage. In addition, they are not fit for use in products which interact with motor vehicle systems.

The resale and/or use of products are at the purchaser's own risk and his own responsibility. The examination of fitness for the intended use is the sole responsibility of the Purchaser.

The purchaser shall indemnify Bosch Sensortec from all third party claims arising from any product use not covered by the parameters of this product data sheet or not approved by Bosch Sensortec and reimburse Bosch Sensortec for all costs in connection with such claims.

The purchaser must monitor the market for the purchased products, particularly with regard to product safety, and inform Bosch Sensortec without delay of all security relevant incidents.

 <b>BOSCH</b>	<b>Preliminary Data Sheet</b> <b>SMB380</b> <b>Triaxial acceleration sensor</b>	Bosch Sensortec
--	---	-----------------

## 11. Document history and modification

Rev. No	Chapter	Description of modification/changes	Date
1.0		Document creation	29-Dec-06
1.1	1, 4.1.1, 4.1.2, 4.2	Min. VddIO = 1.62V	14-May-07
	5.1, 5.2, 5.3	New package diagram, axes vs. package orientation	14-May-07
	10	Added "e" as marker for engineering samples	14-May-07
	3	Added warning about overwriting calibration data	14-May-07
	3.1.2	Corrected typo (correct address 14h)	14-May-07
	1	Added wake-up and start-up time	14-May-07
	4.2.1	Corrected slave address in figures 15 and 16	14-May-07
	1	Zero-g Offset updated to $\pm 60\text{mg}$	21-May-07
1.2	1	Specification update	17-July-07
1.3	1	Inserted reference to ANA016 application note	31-Aug-07
	7.3	Added current consumption values during wake-up mode	31-Aug-07
	2	Mechanical shock	18-Sept-07
	5.1	Using overlapping pins for optical inspection	18-Sept-07
	5.5	Halogen content of SMB380	18-Sept-07
	3	Extension of global memory map (figure 1)	18-Sept-07
	6	Table 12, pin 1 and 10	18-Sept-07
	4.1.1, 4.1.2	Default SPI interface is 4-wire	18-Sept-07

Bosch Sensortec GmbH  
 Gerhard-Kindler-Strasse 8  
 72770 Reutlingen / Germany

contact@bosch-sensortec.com  
[www.bosch-sensortec.com](http://www.bosch-sensortec.com)

Modifications reserved | Printed in Germany  
 Specifications subject to change without notice  
 Version\_1.3\_072007