

PERFORMANCE PLASTIC PACKAGE ULTRA MINIATURE PURE SILICON™ CLOCK OSCILLATOR

ASVMP



7.0 x 5.0 x 0.85mm

ASVMP

Moisture Sensitivity Level – MSL 1



RoHS
Compliant

FEATURES:

- Ultra Miniature Pure Silicon™ Clock Oscillator
- High Performance MEMS Technology by Discera
- Low Power Consumption for high speed communication
- Exceptional Stability Over Temp. at -40 to +85°C, ±15ppm
- Extended Automotive Grade Temp. stability at -55 to +125°C, ±25ppm
- Available in 50kG Shock Resistance Configuration upon request
- MIL-STD-883 shock and vibration compliant
- Durable QFN Plastic Compact Packaging
- Standby or Disable Tri-state function
- Low jitter (Period jitter RMS and Phase jitter RMS)
- High power supply noise reduction, -50dBc

APPLICATIONS:

- Storage Area Networks (SATA, SAS, Fiber Channel)
- Passive Optical Networks (EPON, 10G-EPON, GPON, 10G-PON)
- Ethernet (1G, 10GBASE-T/KR/LR/SR, FCoE)
- HD/SD/SDI Video & Surveillance
- PCI Express
- Display port

Low Jitter
High Performance
3G MEMS Technology!

STANDARD SPECIFICATIONS:

Common Key Electrical Specifications – CMOS, LVPECL, LVDS, and HCSL

Parameters	Minimum	Typical	Maximum	Units	Notes	
Frequency Range	CMOS	10.000	-----	170.000	MHz	Commercial, Industrial Temp range
	CMOS	10.000	-----	100.000		Automotive -55 ~ +125°C
	LVPECL	10.000	-----	460.000		Commercial, Industrial Temp range
	LVDS	10.000	-----	460.000		Commercial, Industrial Temp range
	HCSL	10.000	-----	460.000		Commercial, Industrial Temp range
Operating Temperature	-20	-----	+70	°C	See options	
Storage Temperature	-55	-----	+150	°C		
Overall Frequency Stability	-50	-----	+50	ppm	See options	
Supply Voltage (Vdd)	+2.25	-----	+3.6	V		
Startup Time	-----	-----	5	ms		
Enable Time	-----	-----	20	ms	STD (Tri-state)	
	-----	-----	5		PD option (Power Down)	
Disable Time	-----	-----	5	ns		
Stand-by Current	-----	20	22	mA	STD (Tri-state)	
Disable Current	-----	-----	0.095		PD option (Power Down)	
Tri-state Function (Stand-by)	"1" (VIH ≥ 0.75*Vdd) or Open: Oscillation "0" (VIL < 0.25*Vdd) : Hi Z			V	40kΩ pull-up resistor embedded	
Aging	-5.0	-----	+5.0	ppm	First year	

Key Electrical Specifications – CMOS

Parameters	Minimum	Typical	Maximum	Units	Notes
Supply Current (I _{dd})	-----	31	35	mA	CL=15pF, 125MHz
Output Logic Level	V _{OH}	0.9*V _{dd}	-----	V	I=±6mA
	V _{OL}	-----	0.1*V _{dd}	V	
Rise Time	-----	1.1	2.0	ns	CL=15pF 20%/80%*VDD
Fall Time	-----	1.3	2.0	ns	
Duty Cycle	45	-----	55	%	
Integrated Phase Jitter (J _{PHI})	-----	0.30	2	ps	200kHz ~ 20MHz, 125MHz
	-----	0.38	2		100kHz ~ 20MHz, 125MHz
	-----	1.70	2		12kHz ~ 20MHz, 125MHz
Period Jitter RMS (J _{PER})	-----	3.0	-----	ps	

ABRACON IS
ISO9001:2008
CERTIFIED



ABRACON
CORPORATION

Visit www.abracon.com for Terms & Conditions of Sale **Revised: 07.15.12**
30332 Esperanza, Rancho Santa Margarita, California 92688
tel 949-546-8000 | fax 949-546-8001 | www.abracon.com

PERFORMANCE PLASTIC PACKAGE ULTRA MINIATURE PURE SILICON™ CLOCK OSCILLATOR

ASVMP



7.0 x 5.0 x 0.85mm

ASVMP



RoHS
Compliant

Key Electrical Specifications – LVPECL

Parameters	Minimum	Typical	Maximum	Units	Notes	
Supply Current (I_{dd})	-----	56.5	58	mA	RL=50Ω	
Output Logic Level	V_{OH}	$V_{dd}-1.08$	-----	V	RL=50Ω	
	V_{OL}	-----	$V_{dd}-1.55$	V		
Peak to Peak Output Swing (V_{pp})	-----	800	-----	mV	Single ended	
Rise Time	T_r	-----	250	-----	RL=50Ω , CL=0pF 20%/80%*VDD	
Fall Time	T_f	-----	250	-----		
Duty Cycle	-----	48	-----	52	%	Differential
Integrated Phase Jitter (J_{PH})	-----	0.25	-----	2	ps	200kHz ~ 20MHz @156.25MHz
	-----	0.38	-----	2		100kHz ~ 20MHz @156.25MHz
	-----	1.70	-----	2		12kHz ~ 20MHz @156.25MHz
Period Jitter RMS (J_{PER})	-----	2.5	-----	-----	ps	

Key Electrical Specifications – LVDS

Parameters	Minimum	Typical	Maximum	Units	Notes	
Supply Current (I_{dd})	-----	29	32	mA	RL=100Ω	
Output Offset Voltage (V_{OS})	1.125	-----	1.4	V	RL=100Ω differential	
Delta Offset Voltage (ΔV_{OS})	-----	-----	50	mV		
Peak to Peak Output Swing (V_{pp})	-----	350	-----	mV	Single ended	
Rise Time	T_r	-----	200	-----	RL=50Ω , CL=2pF 20%/80%*VDD	
Fall Time	T_f	-----	200	-----		
Duty Cycle	-----	48	-----	52	%	Differential
Integrated Phase Jitter (J_{PH})	-----	0.28	-----	2	ps	200kHz ~ 20MHz @156.25MHz
	-----	0.40	-----	2		100kHz ~ 20MHz @156.25MHz
	-----	1.70	-----	2		12kHz ~ 20MHz @156.25MHz
Period Jitter RMS (J_{PER})	-----	2.5	-----	-----	ps	

Key Electrical Specifications – HCSL

Parameters	Minimum	Typical	Maximum	Units	Notes	
Supply Current (I_{dd})	-----	40	42	mA	RL=50Ω	
Output Logic Level	V_{OH}	0.725	-----	V	RL=50Ω	
	V_{OL}	-----	-----	0.1		
Peak to Peak Output Swing (V_{pp})	-----	750	-----	mV	Single ended	
Rise Time	T_r	200	-----	400	RL=50Ω , CL=2pF 20%/80%*VDD	
Fall Time	T_f	200	-----	400		
Duty Cycle	-----	48	-----	52	%	Differential
Integrated Phase Jitter (J_{PH})	-----	0.25	-----	2	ps	200kHz ~ 20MHz @156.25MHz
	-----	0.37	-----	2		100kHz ~ 20MHz @156.25MHz
	-----	1.70	-----	2		12kHz ~ 20MHz @156.25MHz
Period Jitter RMS (J_{PER})	-----	2.5	-----	-----	ps	

ABRACON IS
ISO9001:2008
CERTIFIED



ABRACON
CORPORATION

Visit www.abracon.com for Terms & Conditions of Sale **Revised: 07.15.12**
30332 Esperanza, Rancho Santa Margarita, California 92688
tel 949-546-8000 | fax 949-546-8001 | www.abracon.com

PERFORMANCE PLASTIC PACKAGE ULTRA MINIATURE PURE SILICON™ CLOCK OSCILLATOR

ASVMP



7.0 x 5.0 x 0.85mm

ASVMP



RoHS
Compliant

Absolute Maximum Ratings

Item	Minimum	Maximum	Unit	Condition
Supply Voltage	-0.3	+4.0	V	
Input Voltage	-0.3	V _{dd} +0.3	V	
Junction Temp.	-----	+150	°C	
Storage Temp.	-55	+150	°C	
Soldering Temp.	-----	+260	°C	40sec max
ESD			V	
HBM		4,000		
MM		200		
CDM		1,500		

OPTIONS AND PART IDENTIFICATION: (Left Blank if Standard)

Programmed Orders (Quantity > 1,000pcs)

ASVMP - MHz - - -

Output Type	Frequency in MHz	Operating Temp.	Overall Freq. Stability	Tri-state (Pin 1)	Packaging
C: CMOS	e.g. 156.2500 MHz (Maximum 4 digits after decimal)	Blank: -20°C ~ +70°C L: -40°C ~ +85°C X**: -40°C ~ +105°C Z**: -55°C ~ +125°C	Blank: ±50ppm Y: ±10ppm* R: ±25 ppm	Blank: Tri-state PD: Power Down	Blank: Tube (50pcs / Tube) T: Tape & Reel (1kpcs / reel) T3: Tape & Reel (3kpcs / reel)
LP: LVPECL					
LV: LVDS					
HC: HCSSL					

* Temp option L, or -20°C ~ +70°C, only

** CMOS output only

*** For Quick turn-around programmable orders < 1000pcs: Due to the immediate availability of stock and the qty of the order, the parts may be delivered as BULK: Cut Tape, Loose parts in Antistatic Bag or in Tube(s). The MOQ per the series will still apply for Tube packaging.

Un-Programmed Orders

Blank un-programmed oscillators and our low cost portable programmer are available for quick turn engineering requirements. Please call ABRACON or visit MEMSpeed Pro II site <http://www.abracon.com/memspeedpro/MEMSpeedProFlyerII.pdf> for more information.

ASVMP - BLANK - - -

Output Type	Operating Temp.	Overall Freq. Stability	Tri-state (Pin 1)	Packaging
C: CMOS	Blank: -20°C ~ +70°C L: -40°C ~ +85°C X**: -40°C ~ +105°C Z**: -55°C ~ +125°C	Blank: ±50ppm Y: ±10ppm* R: ±25 ppm	Blank: Tri-state PD: Power Down	Blank: Tube (110pcs / Tube) T: Tape & Reel (1kpcs / reel) T3: Tape & Reel (3kpcs / reel)
LP: LVPECL				
LV: LVDS				
HC: HCSSL				

* Temp option L, or -20°C ~ +70°C, only

** CMOS output only

ABRACON IS
ISO9001:2008
CERTIFIED



Visit www.abracon.com for Terms & Conditions of Sale **Revised: 07.15.12**
30332 Esperanza, Rancho Santa Margarita, California 92688
tel 949-546-8000 | fax 949-546-8001 | www.abracon.com

PERFORMANCE PLASTIC PACKAGE ULTRA MINIATURE PURE SILICON™ CLOCK OSCILLATOR

ASVMP



7.0 x 5.0 x 0.85mm

ASVMP

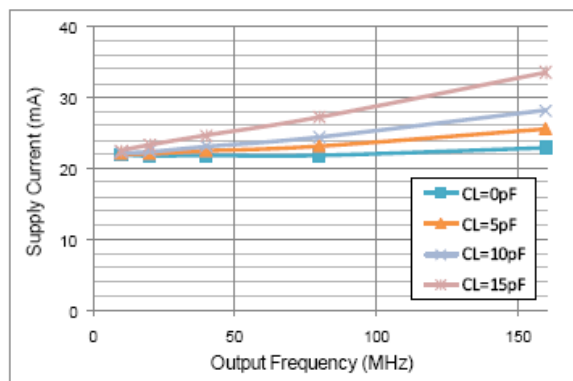


RoHS
Compliant

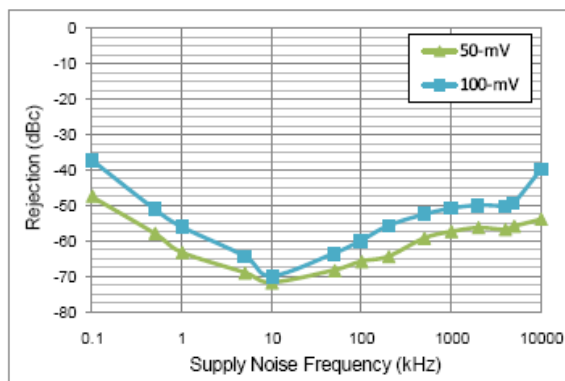
NOMINAL PERFORMANCE PARAMETERS

(Unless specified otherwise: T=25° C, VDD=3.3 V)

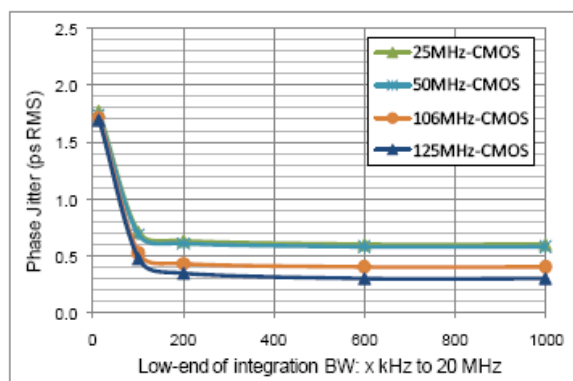
CMOS OUTPUT



Supply current over freq

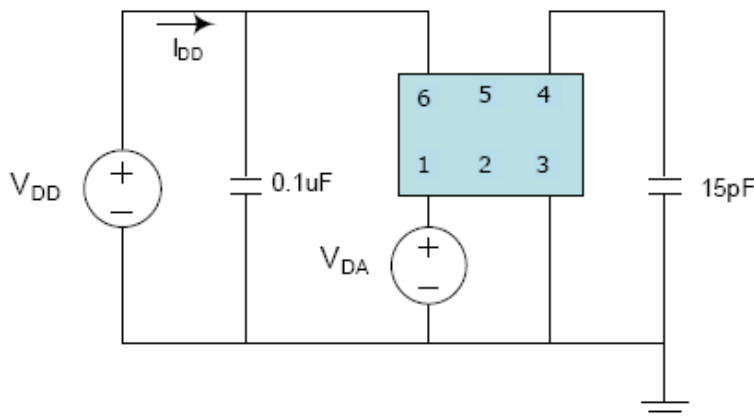


Power supply rejection ratio



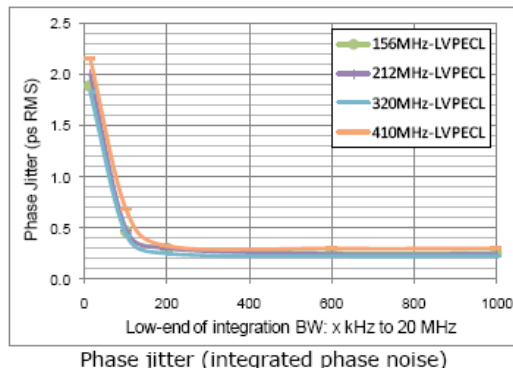
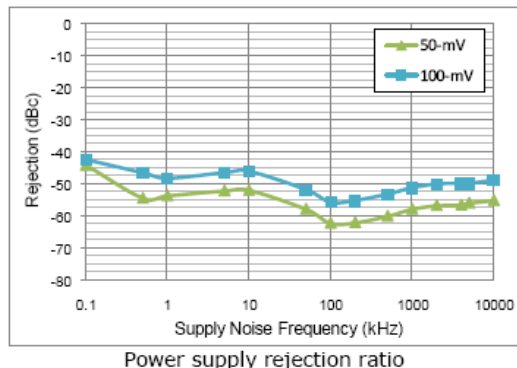
Phase jitter (integrated phase noise)

Test Circuit

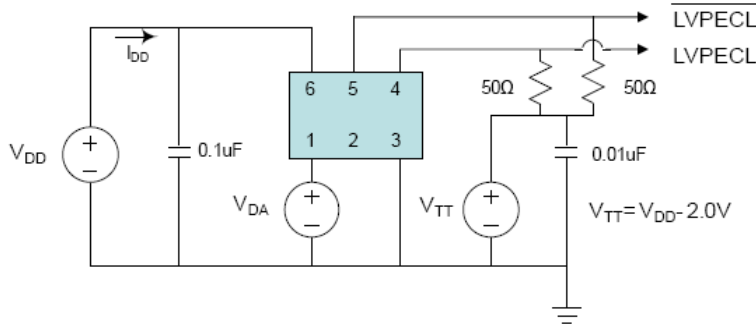




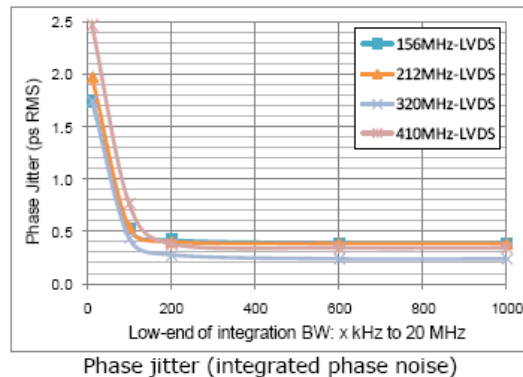
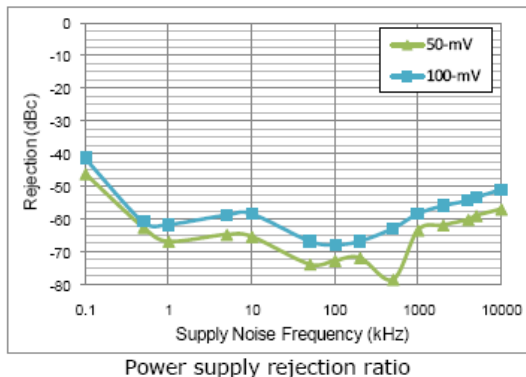
LVPECL OUTPUT



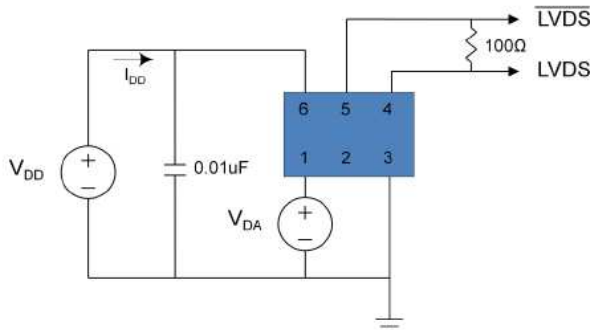
Test Circuit



LVDS OUTPUT



Test Circuit



PERFORMANCE PLASTIC PACKAGE ULTRA MINIATURE PURE SILICON™ CLOCK OSCILLATOR

ASVMP

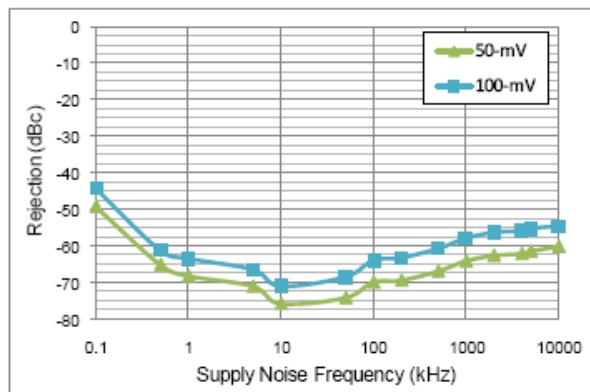


7.0 x 5.0 x 0.85mm

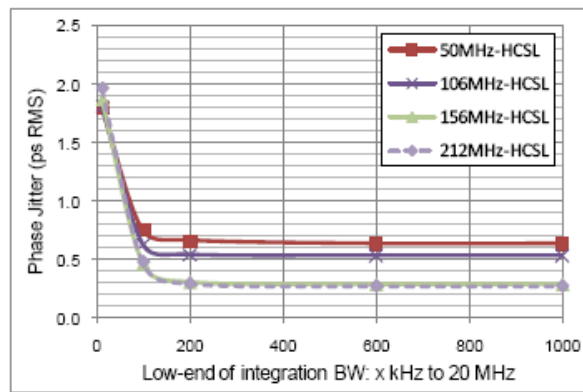
ASVMP



HCSL OUTPUT

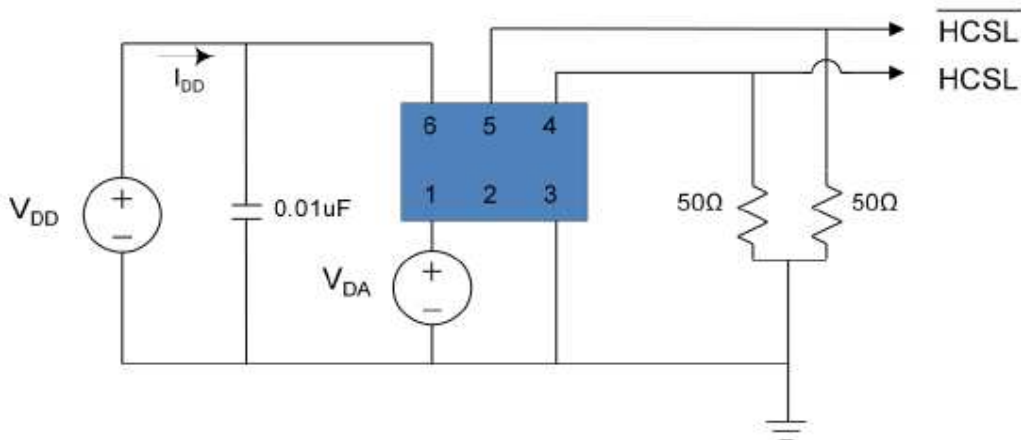


Power supply rejection ratio



Phase jitter (integrated phase noise)

Test Circuit



PERFORMANCE PLASTIC PACKAGE ULTRA MINIATURE PURE SILICON™ CLOCK OSCILLATOR

ASVMP



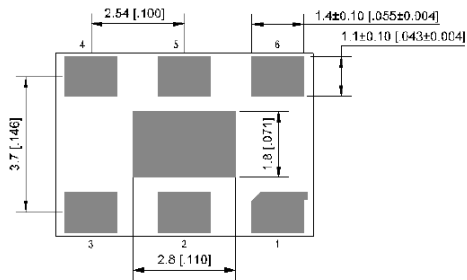
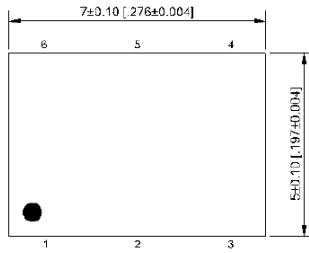
7.0 x 5.0 x 0.85mm

ASVMP

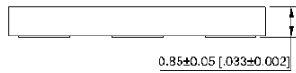


RoHS
Compliant

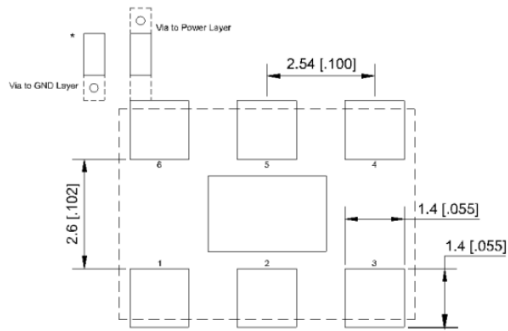
OUTLINE DIMENSIONS:



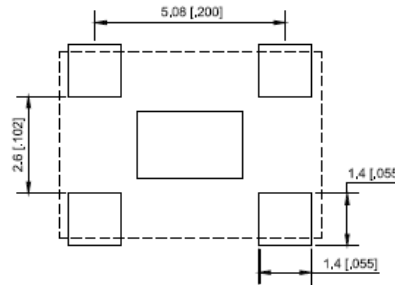
Center pad: NC / GND



Pin #	Function
1	Tri-state
2	NC
3	GND
4	Output
5	NC (CMOS) Output (LVPECL, LVDS, HCSL)
6	Vdd



Recommended Land Pattern for LVPECL, LVDS, HCSL

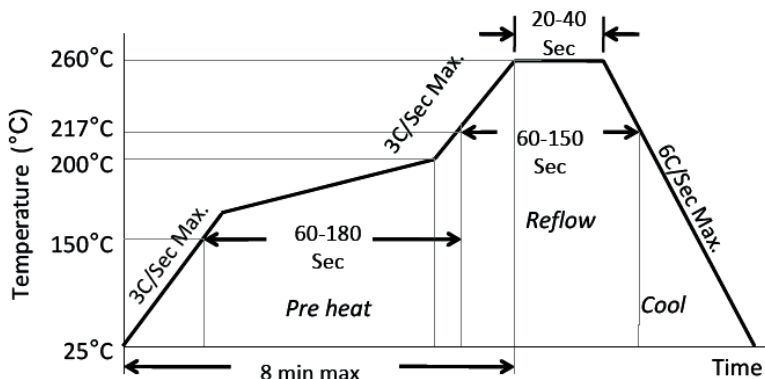


Recommended Land Pattern for CMOS

Note: Recommend using an approximately 0.01µF bypass capacitor between PIN 6 and 3.

Dimensions: mm (inches)

REFLOW PROFILE:



Ramp-Up Rate (200°C to Peak Temp)	3°C/Sec Max.
Preheat Time 150°C to 200°C	60-180 Sec
Time maintained above 217°C	60-150 Sec
Peak Temperature	255-260°C
Time within 5°C of actual Peak	20-40 Sec
Ramp-Down Rate	6°C/Sec Max.
Time 25°C to Peak Temperature	8 min Max.

ABRACON IS
ISO9001:2008
CERTIFIED



Visit www.abracon.com for Terms & Conditions of Sale **Revised: 07.15.12**
30332 Esperanza, Rancho Santa Margarita, California 92688
tel 949-546-8000 | fax 949-546-8001 | www.abracon.com

PERFORMANCE PLASTIC PACKAGE ULTRA MINIATURE PURE SILICON™ CLOCK OSCILLATOR

ASVMP



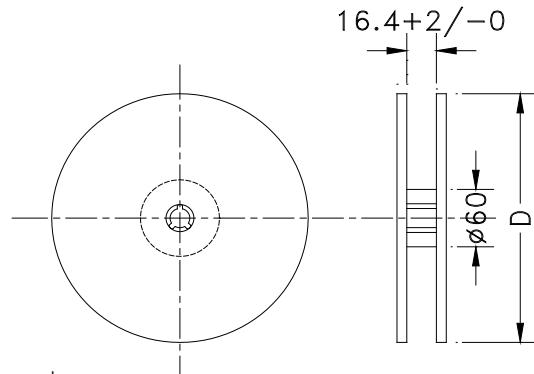
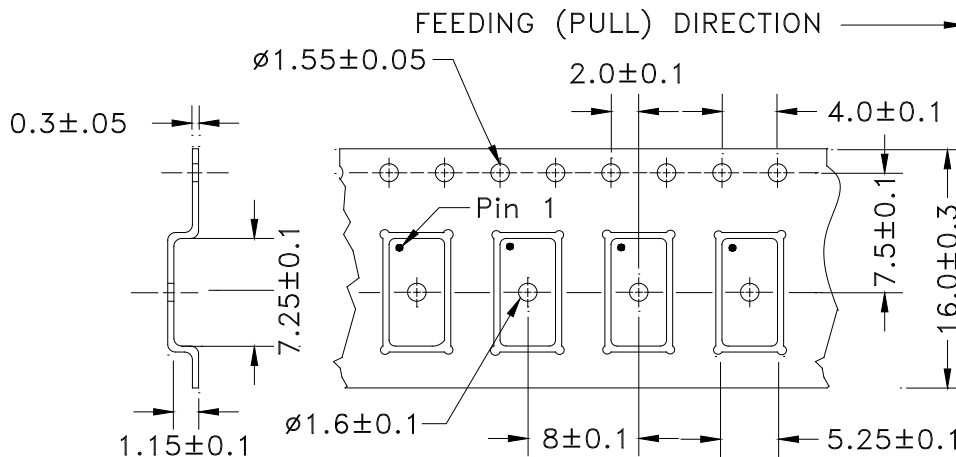
7.0 x 5.0 x 0.85mm

ASVMP

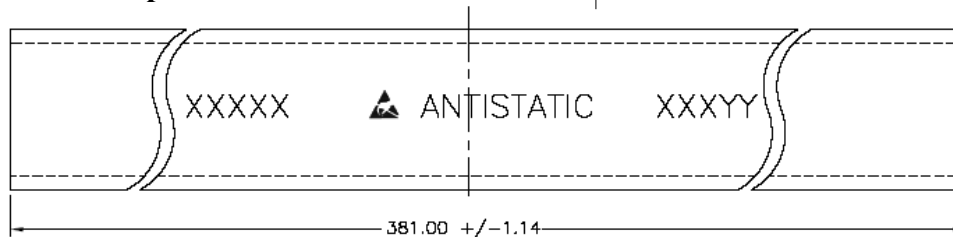


TAPE AND REEL:

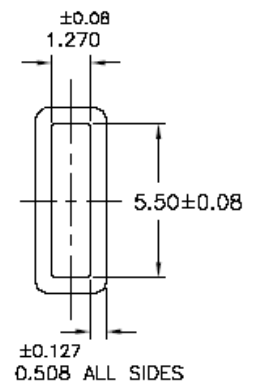
T= 1,000pcs/reel (D=180mm)
T3= 3,000pcs/reel (D=330mm)



Tube: 50 pcs/tube



Unit orientation in tube:



Dimensions: mm

ATTENTION: Abracon Corporation's products are COTS – Commercial-Off-The-Shelf products; suitable for Commercial, Industrial and, where designated, Automotive Applications. Abracon's products are not specifically designed for Military, Aviation, Aerospace, Life-dependant Medical applications or any application requiring high reliability where component failure could result in loss of life and/or property. For applications requiring high reliability and/or presenting an extreme operating environment, written consent and authorization from Abracon Corporation is required. Please contact Abracon Corporation for more information.

ABRACON IS
ISO9001:2008
CERTIFIED



Visit www.abracon.com for Terms & Conditions of Sale **Revised: 07.15.12**
30332 Esperanza, Rancho Santa Margarita, California 92688
tel 949-546-8000 | fax 949-546-8001 | www.abracon.com