

LOW PROFILE SHIELDED SMD CHIP POWER INDUCTOR



4.0 x 4.0 x 1.0mm

ASPI-0410FS



RoHS/RoHS II Compliant

FEATURES:

- Small size and low profile: 1.0mm
- Small DCR and high rated current
- High reliability to mechanical stress
- Magnetically shielded by magnetic powder molding
- Suitable for RoHS reflow profile

APPLICATIONS:

- Mobile phones
- MP3 & 4 and other portable communication equipment
- Digital cameras.

ELECTRICAL SPECIFICATIONS:

Abracon P/N:	ASPI-0410FS Series
Operating Temperature & Humidity	-40°C to +85°C (Including self generated heat)
Storage Temperature and Humidity in Tape and Reel	+22°C to +28°C, 80% RH max.

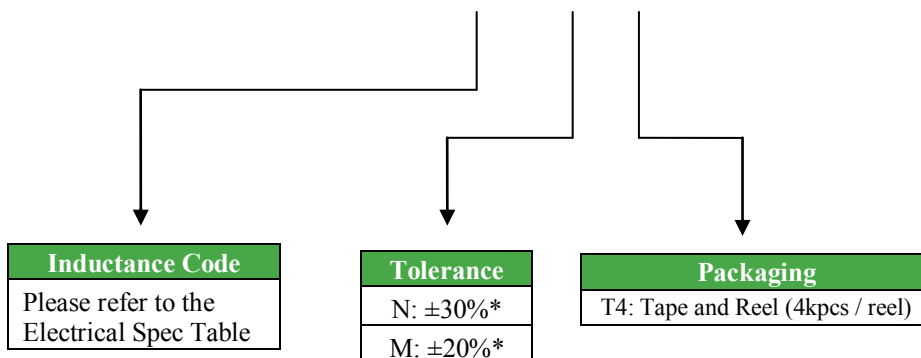
Part Number ASPI-0410FS- Inductance Code	Inductance	Inductance Tolerance	DCR max	Rated DC Current max.
Units	μH	%	mΩ	A
Symbol	L	M	DCR	IDC
ASPI-0410FS-1R0	1.0	N	100	1.80
ASPI-0410FS-2R2	2.2	N	150	1.15
ASPI-0410FS-3R3	3.3	M	180	1.10
ASPI-0410FS-4R7	4.7	M	210	0.90
ASPI-0410FS-6R8	6.8	M	300	0.74
ASPI-0410FS-100	10	M	380	0.56
ASPI-0410FS-150	15	M	510	0.47
ASPI-0410FS-220	22	M	870	0.36
ASPI-0410FS-330	33	M	1540	0.28
ASPI-0410FS-470	47	M	1810	0.24

Test Conditions and Equipments

1. Rated DC Current: The current when the inductance becomes 30% lower than its initial value.
2. L: HP4284A LCR meter, 100KHz, 0.25Vrms
3. DCR: milli-ohm meter

PART IDENTIFICATIONS:

ASPI-0410FS- [] [] - []



*N for L = 1.0 and 2.2μH

*M for L = 3.3 ~ 47μH



LOW PROFILE SHIELDED SMD CHIP POWER INDUCTOR

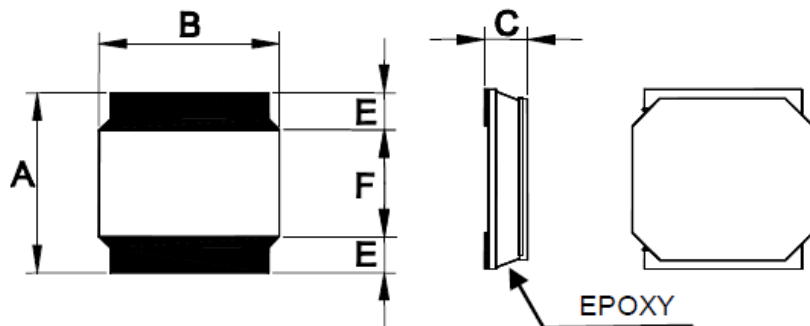


4.0 x 4.0 x 1.0mm

ASPI-0410FS

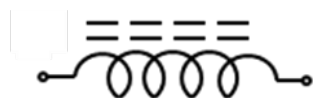
Pb | RoHS/RoHS II Compliant

OUTLINE DIMENSION:



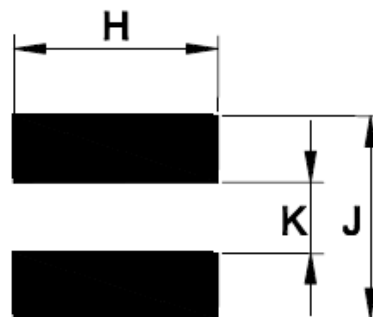
A	B	C max.	E	F
4.0±0.2	4.0±0.2	1.0	1.1±0.2	2.5±0.2

Circuit Schematic



No Polarity

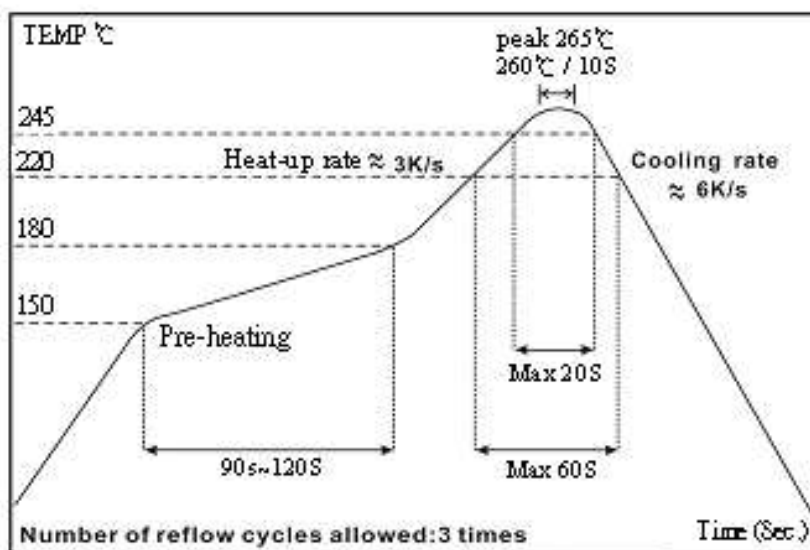
Recommended Land Pattern



H	J	K
3.7	4.0	1.2

Dimension: mm

REFLOW PROFILE:



LOW PROFILE SHIELDED SMD CHIP POWER INDUCTOR



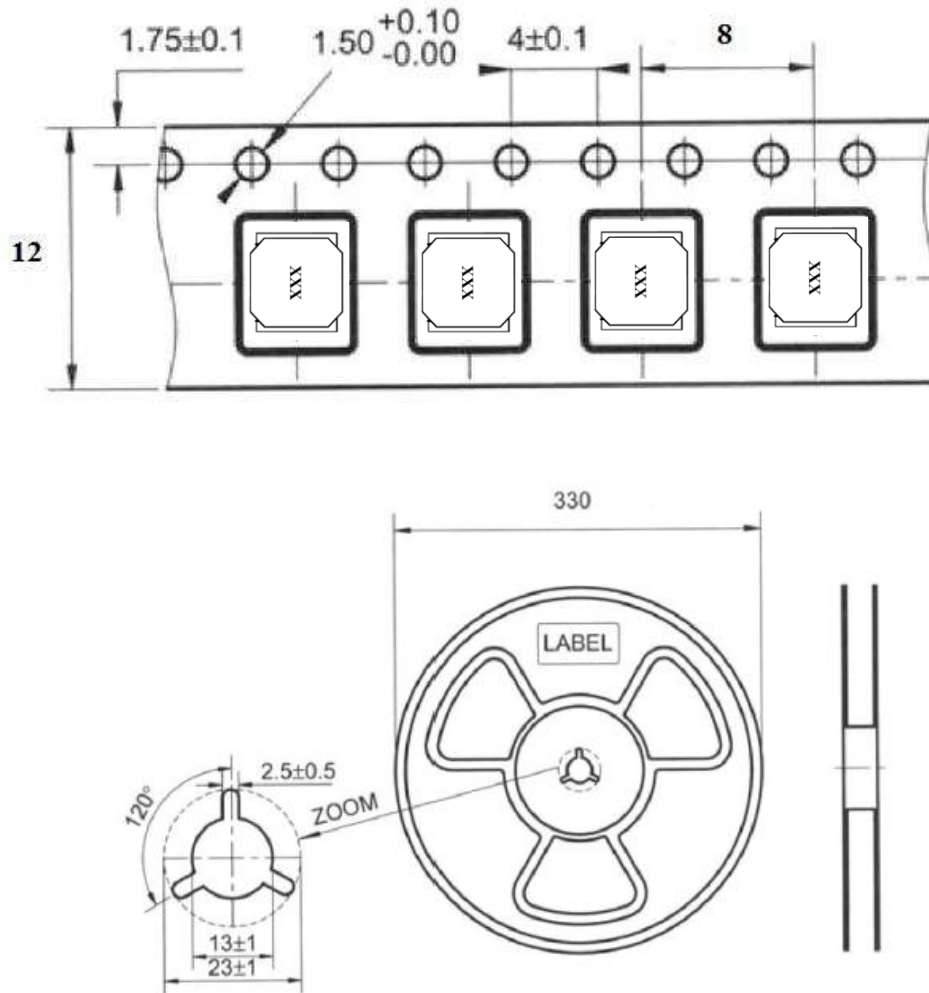
4.0 x 4.0 x 1.0mm

ASPI-0410FS

 RoHS/RoHS II Compliant

TAPE & REEL:

T4: 4,000pcs / reel



Storage Conditions

Product should be used within six months from the time of delivery.

Dimension: mm

ATTENTION: Abracon Corporation's products are COTS – Commercial-Off-The-Shelf products; suitable for Commercial, Industrial and, where designated, Automotive Applications. Abracon's products are not specifically designed for Military, Aviation, Aerospace, Life-dependant Medical applications or any application requiring high reliability where component failure could result in loss of life and/or property. For applications requiring high reliability and/or presenting an extreme operating environment, written consent and authorization from Abracon Corporation is required. Please contact Abracon Corporation for more information.

ABRACON IS
ISO9001:2008
CERTIFIED



Visit www.abracon.com for Terms & Conditions of Sale **Revised: 03.15.13**
30332 Esperanza, Rancho Santa Margarita, California 92688
tel 949-546-8000 | fax 949-546-8001 | www.abracon.com