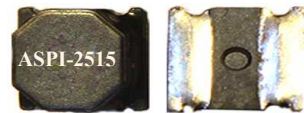


Low Profile Shielded SMD Chip Power Inductor



2.5 x 2.0 x 1.5mm

ASPI-2515 series

MSL level: 1



RoHS/RoHS II Compliant

FEATURES:

- Small size and low profile: 1.5mm
- Small DCR and high rated current
- High reliability to mechanical stress
- Magnetically shielded by magnetic powder molding
- Suitable for RoHS reflow profile

APPLICATIONS:

- Mobile phones
- MP3 & 4 and other portable communication equipment
- Digital cameras.

ELECTRICAL SPECIFICATIONS:

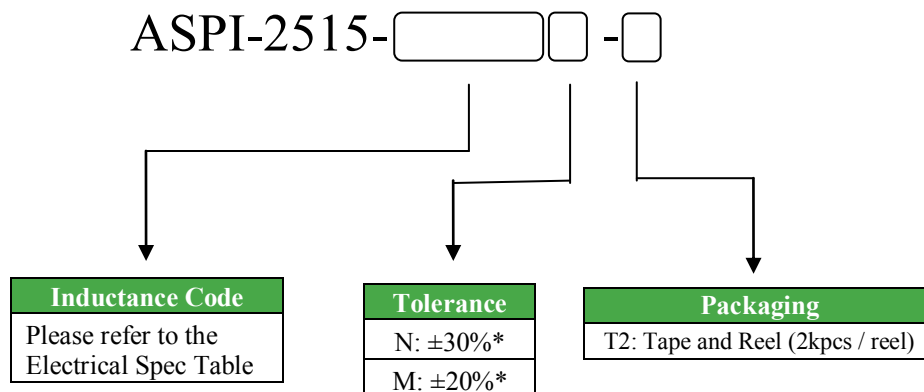
Abracon P/N:	ASPI-2515 Series
Operating Temperature & Humidity :	-25°C to +120°C (Including self generated heat)
Storage Temperature & Humidity:	-10°C to +40°C, 30% to 70% RH

Part Number ASPI-2515-Inductance Code	Inductance	Inductance Tolerance	DC Resistance		Saturation Current	Temperature Rise Current
			Units	%		
			Symbol	DCR		
ASPI-2515-R47	0.47	N	35	±30%	3.30	2.80
ASPI-2515-1R0	1.0	N	49	±30%	2.30	2.20
ASPI-2515-1R5	1.5	N	67	±30%	2.00	1.80
ASPI-2515-2R2	2.2	M	100	±20%	1.70	1.50
ASPI-2515-3R3	3.3	M	138	±20%	1.35	1.30
ASPI-2515-4R7	4.7	M	206	±20%	1.15	1.10
ASPI-2515-6R8	6.8	M	295	±20%	0.95	0.90
ASPI-2515-100	10.0	M	445	±20%	0.80	0.75

Test Conditions

1. Inductance is measured in HP-4285A Precision LCR Meter.
2. RDC is measured in DU-5011 milli ohm meter.(or equivalent).
3. Isat : Based on inductance change ($\Delta L/L_o \leq -30\%$)
4. Irms : Based on temperature rise ($\Delta T : 40^\circ\text{C TYP.}$)
5. Test Freq: 100KHz, 1Vrms

OPTIONS AND PART IDENTIFICATION



*N for L = 0.47~1.5μH

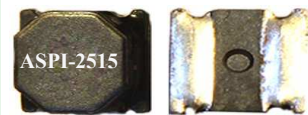
*M for L = 2.2 ~ 10μH

Low Profile Shielded SMD Chip Power Inductor

ASPI-2515 series



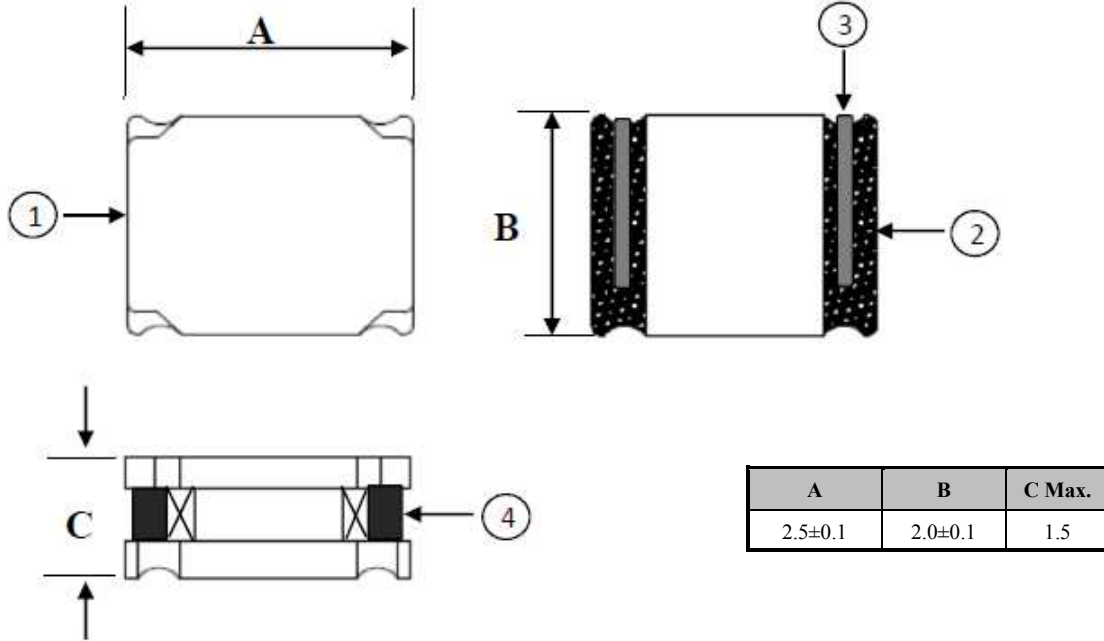
RoHS/RoHS II Compliant



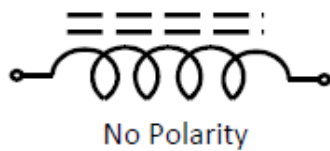
2.5 x 2.0 x 1.5mm

OUTLINE DRAWING:

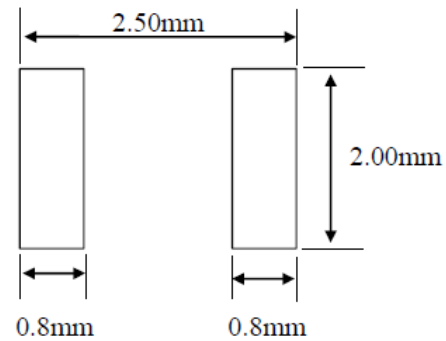
Mechanical Dimensions



Circuit Schematic



Recommended Land Pattern



Materials

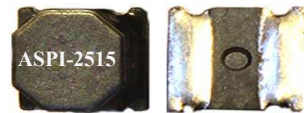
No	Part Name	Material
1	Ferrite core	Ni-Zn Ferrite
2	Terminals	Ag/Ni/Sn
3	Coil	Cu/P180 Grd 1
4	Adhesive	Silicon Base Resin
	Magnetic Powder	Ni-Zn Ferrite

Dimension: mm

Low Profile Shielded SMD Chip Power Inductor

ASPI-2515 series

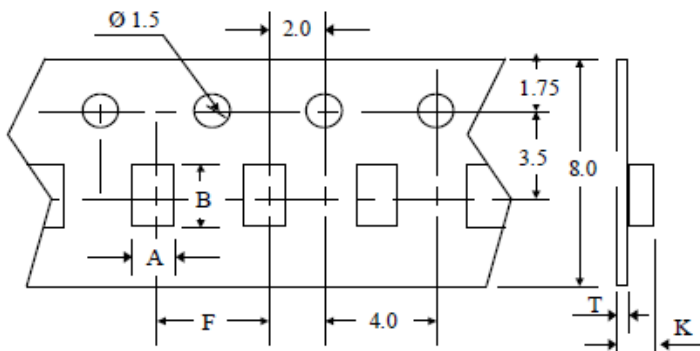
 RoHS/RoHS II Compliant



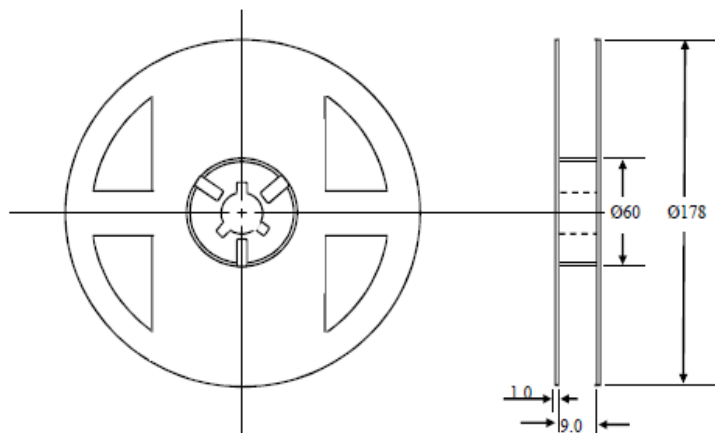
2.5 x 2.0 x 1.5mm

TAPE & REEL:

T2: 2,000pcs / reel

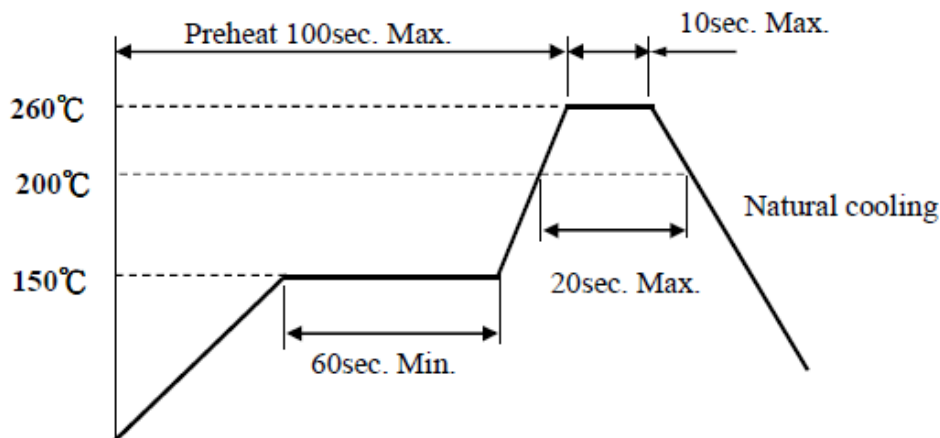


A	2.20
B	2.83
K	1.75
F	4
T	0.25



Dimension: mm

REFLOW PROFILE:



ATTENTION: Abracon Corporation's products are COTS – Commercial-Off-The-Shelf products; suitable for Commercial, Industrial and, where designated, Automotive Applications. Abracon's products are not specifically designed for Military, Aviation, Aerospace, Life-dependant Medical applications or any application requiring high reliability where component failure could result in loss of life and/or property. For applications requiring high reliability and/or presenting an extreme operating environment, written consent and authorization from Abracon Corporation is required. Please contact Abracon Corporation for more information.

ABRACON IS
ISO9001:2008
CERTIFIED



Visit www.abracon.com for Terms & Conditions of Sale **Revised: 01.31.13**
30332 Esperanza, Rancho Santa Margarita, California 92688
tel 949-546-8000 | fax 949-546-8001 | www.abracon.com