

# MICROPROCESSOR AT49 4 PADS SMD CRYSTAL



12.5 x 4.95 x H

ABSM3A



RoHS  
Compliant

## FEATURES:

- Excellent all-purpose surface-mount crystal.
- Four pad land pattern compatible with common plastic molded designs.

## APPLICATIONS:

- Home electronics
- Computers, modems, and communications
- Clock applications
- Microprocessors

## STANDARD SPECIFICATIONS:

PARAMETERS	
ABRACON P/N:	ABSM3A Series
Frequency:	3.579545 MHz to 54 MHz
Operation mode:	AT-strip ( see options) 3.579545 MHz - 30.00 MHz (Fundamental AT) 40.00 MHz - 54.00 MHz (3rd OT AT) 30 MHz - 48.00 MHz (Fundamental BT)
Operating temperature:	- 10°C to + 60°C (see options)
Storage temperature:	- 40°C to + 85° C
Frequency tolerance:	± 50 ppm max. (see options)
Frequency stability over:	± 100 ppm max. (see options)
Equivalent series resistance (max.):	See Table 1
Shunt capacitance C0:	7.0pF max.
Load capacitance CL:	18.0pF (see option)
Drive level:	100mW max., 100µW correlation
Aging (per year) @ 25° C:	± 5 ppm max.
Insulation resistance:	500 MΩmin. at 100 Vdc ± 15 Vdc

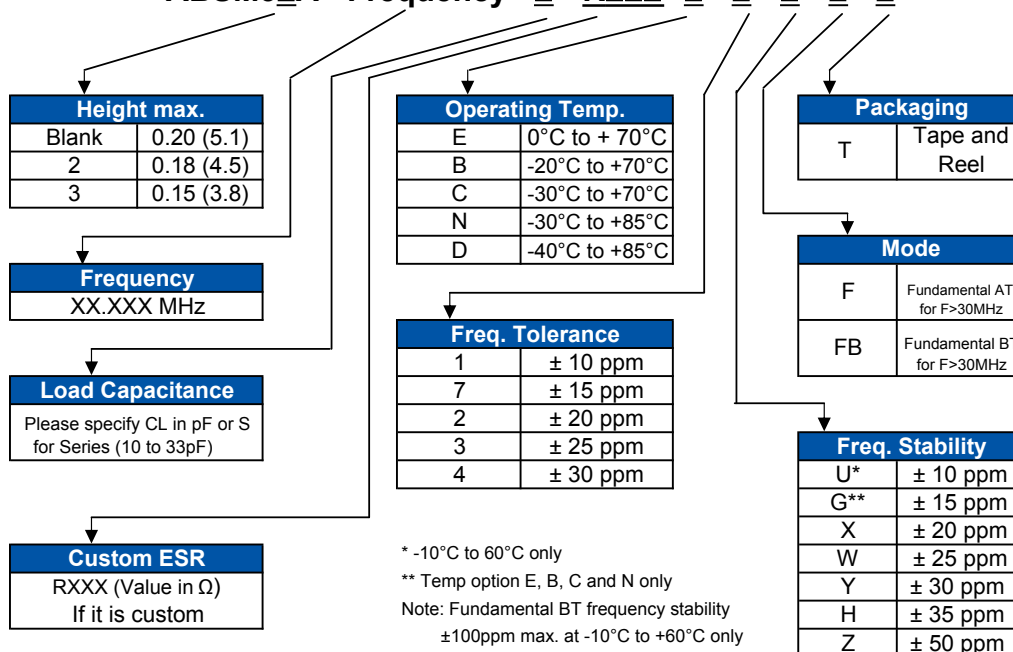
Table 1 Standard ESR

Frequency (MHz)	ESR(Ω) max.
3.579545 - 3.999	180
4.000 - 4.999	150
5.000 - 6.999	100
7.000 - 14.999	50
15.000 - 50.0 (fund)	40
28.01 - 60.0 (3rd overtone)	100

## OPTIONS & PART IDENTIFICATION:

(Left blank if standard)

ABSM3□A - Frequency - □ - R□□□ - □ - □ - □ - □ - □



# MICROPROCESSOR AT49 4 PADS SMD CRYSTAL

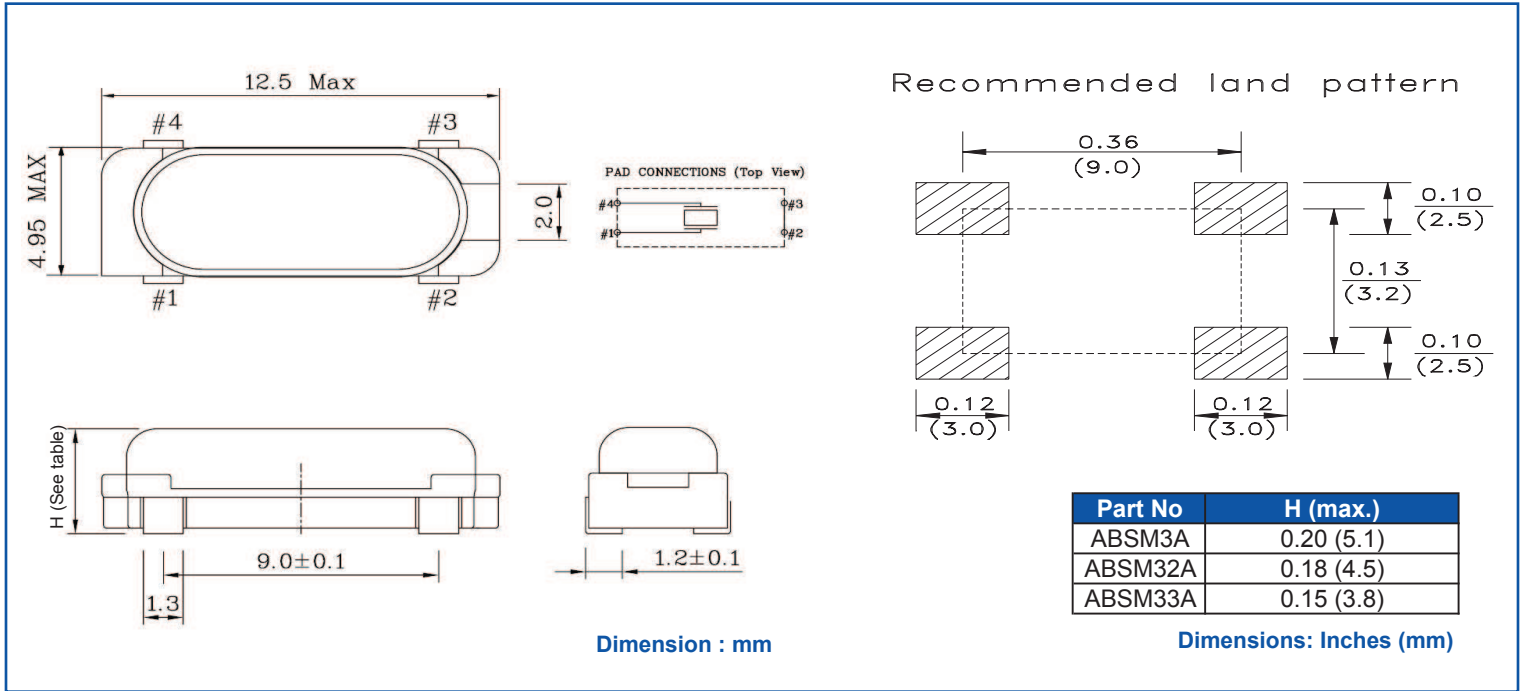


12.5 x 4.95 x H

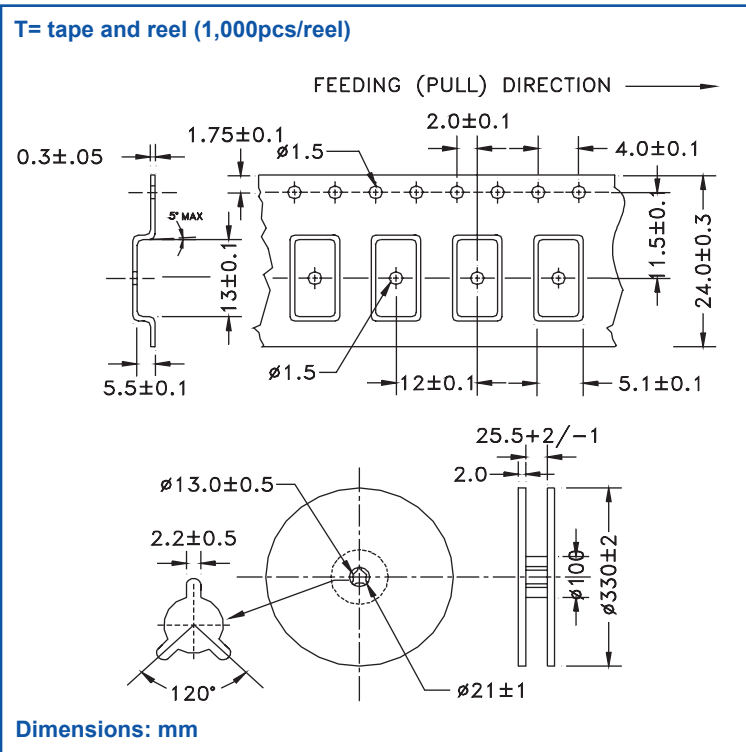


**RoHS**  
Compliant

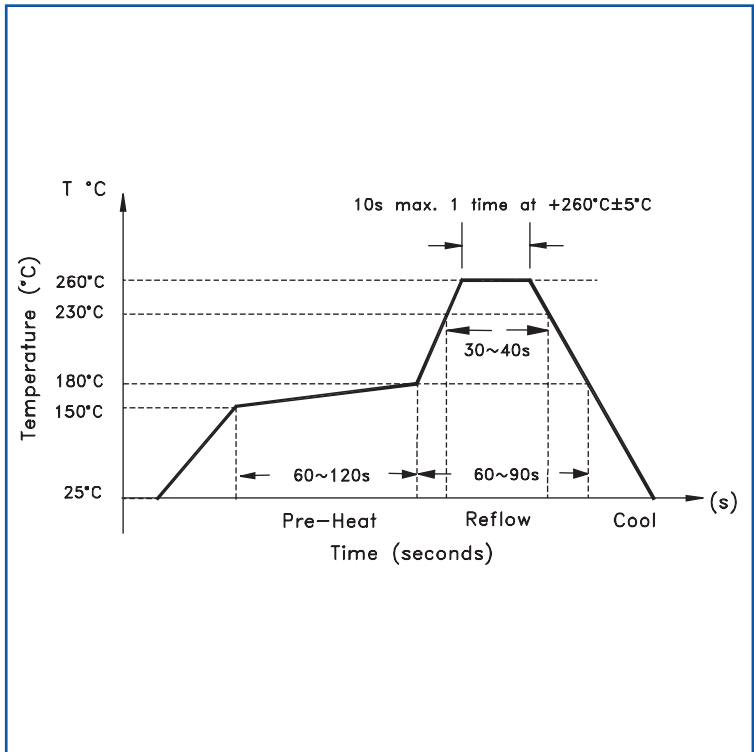
## OUTLINE DRAWING:



## TAPE & REEL:



## REFLOW PROFILE



**ATTENTION:** Abracon Corporation's products are COTS – Commercial-Off-The-Shelf products; suitable for Commercial, Industrial and, where designated, Automotive Applications. Abracon's products are not specifically designed for Military, Aviation, Aerospace, Life-dependant Medical applications or any application requiring high reliability where component failure could result in loss of life and/or property. For applications requiring high reliability and/or presenting an extreme operating environment, written consent and authorization from Abracon Corporation is required. Please contact Abracon Corporation for more information.

ABRACON IS  
ISO 9001 / QS 9000  
CERTIFIED



Visit [www.abracon.com](http://www.abracon.com) for Terms & Conditions of Sale **Revised: 08.24.10**  
30332 Esperanza, Rancho Santa Margarita, California 92688  
tel 949-546-8000 | fax 949-546-8001 | [www.abracon.com](http://www.abracon.com)