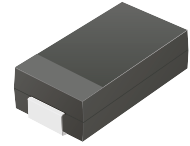


CDBA520-G Thru. CDBA5200-G

Reverse Voltage: 20 to 200 Volts

Forward Current: 5.0 Amp

RoHS Device

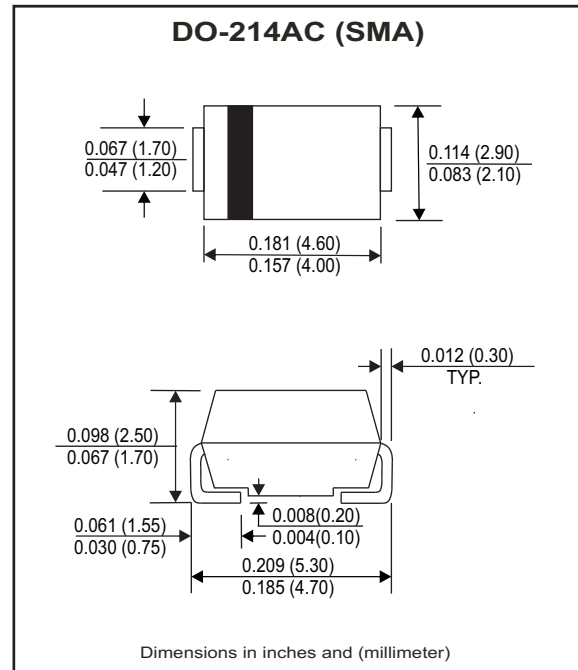


Features

- Low Profile surface mount applications in order to optimize board space.
- Low power loss, high efficiency.
- High current capability, low forward voltage drop.
- High surge capability.
- Guardring for overvoltage protection.
- Ultra high-speed switching.
- Silicon epitaxial planar chip, metal silicon junction.

Mechanical data

- Epoxy: UL94-V0 rate flame retardant.
- Case: Molded plastic, DO-214AC / SMA
- Terminals: solderable per MIL-STD-750, method 2026.
- Polarity: Indicated by cathode band.
- weight: 0.055 grams



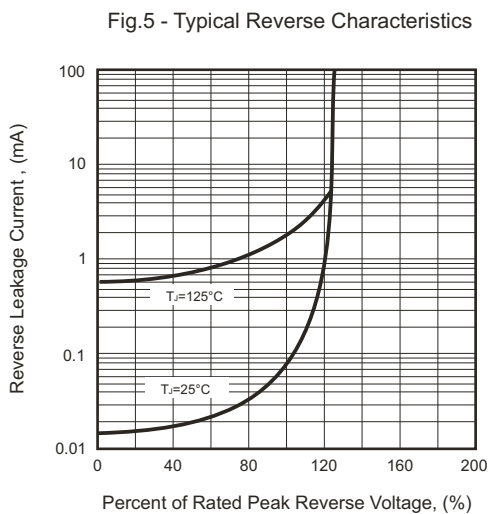
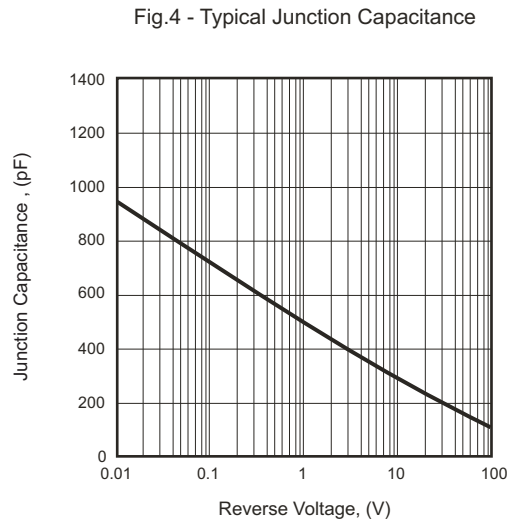
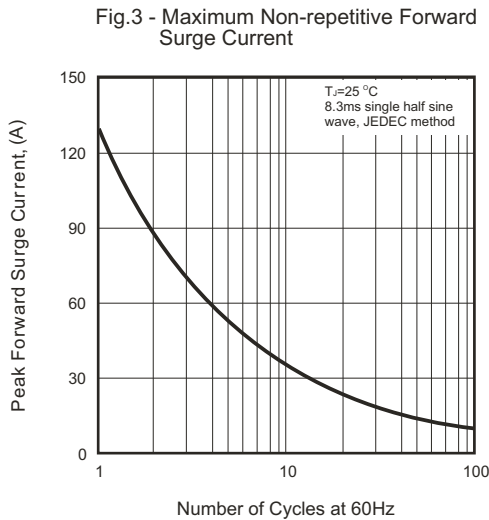
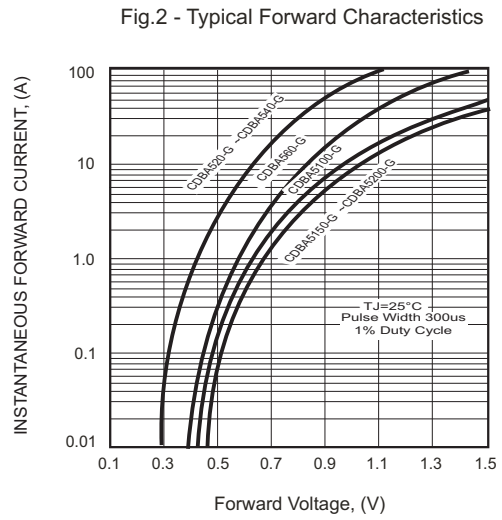
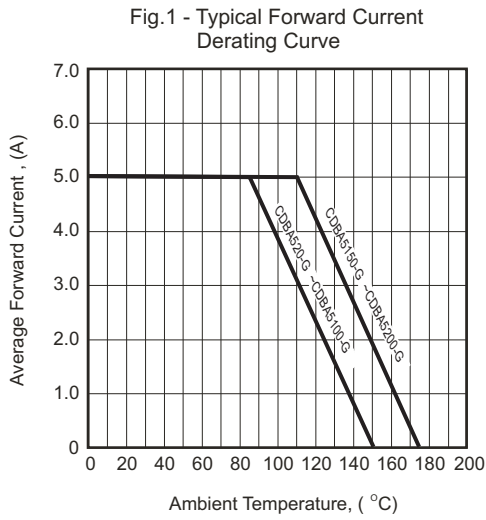
Maximum Ratings and Electrical Characteristics

Ratings at Ta=25°C unless otherwise noted.
Single phase, half wave, 60Hz, resistive or inductive loaded.
For capacitive load, derate current by 20% .

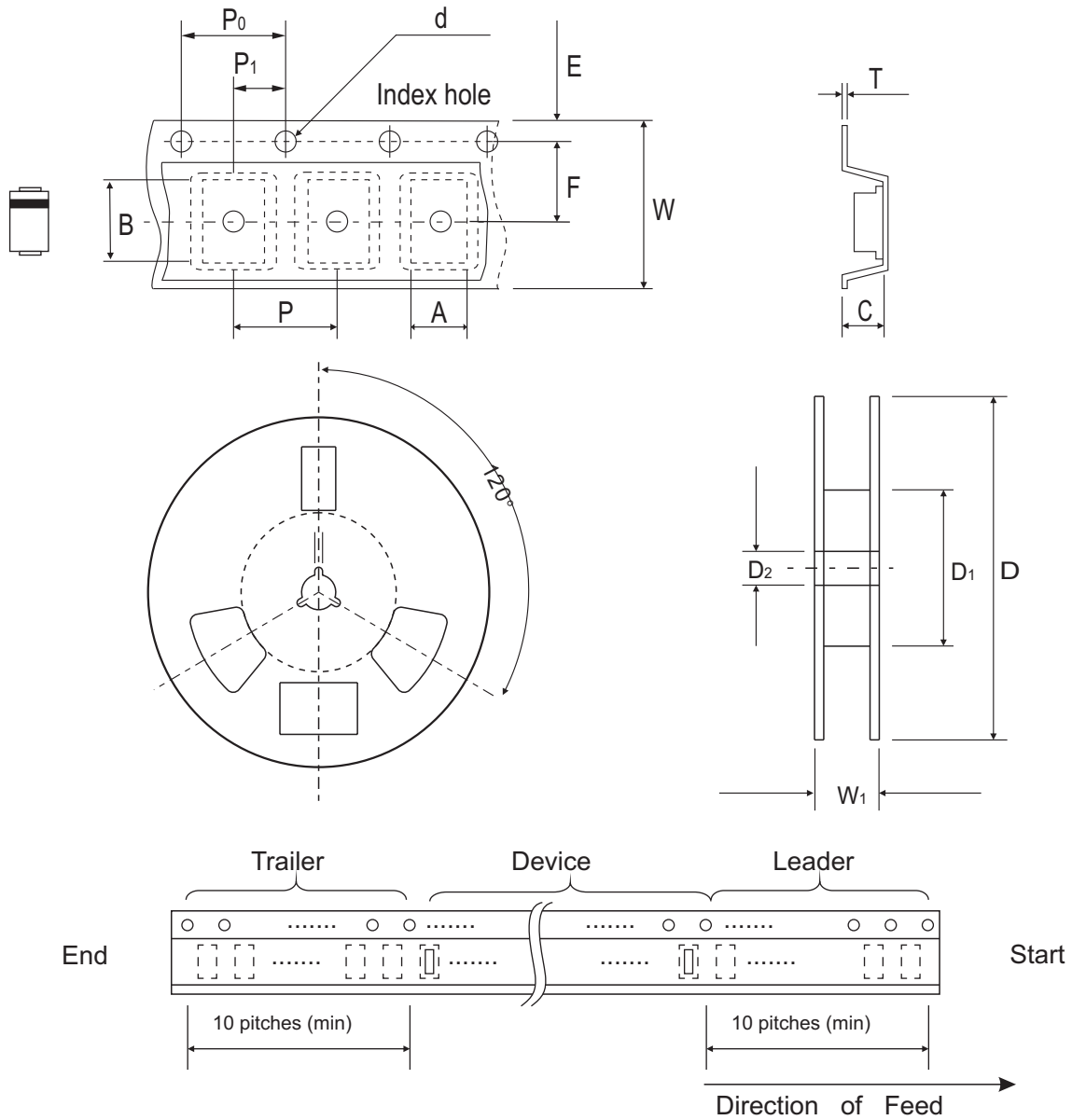
| Parameter | Symbol | CDBA 520-G | CDBA 540-G | CDBA 560-G | CDBA 5100-G | CDBA 5150-G | CDBA 5200-G | Units |
|---|------------------|-------------|------------|------------|-------------|-------------|-------------|-------|
| Max. repetitive peak reverse voltage | V _{RRM} | 20 | 40 | 60 | 100 | 150 | 200 | V |
| Max. DC blocking voltage | V _{DC} | 20 | 40 | 60 | 100 | 150 | 200 | V |
| Max. RMS voltage | V _{RMS} | 14 | 28 | 42 | 70 | 105 | 140 | V |
| Max. instantaneous forward voltage @ 5.0A, T _A =25°C | V _F | 0.50 | 0.55 | 0.75 | 0.81 | 0.87 | 0.90 | V |
| Operating Temperature | T _J | -50 to +150 | | | | -50 to +175 | | °C |

| Parameter | Conditions | Symbol | MIN. | TYP. | MAX. | Units |
|----------------------------|--|------------------|------|------|------|-------|
| Forward rectified current | see Fig.1 | I _o | | | 5.0 | A |
| Forward surge current | 8.3ms single half sine-wave superimposed on rate load (JEDEC method) | I _{FSM} | | | 125 | A |
| Reverse Current | V _R =V _{RRM} T _A =25°C | I _R | | | 0.5 | mA |
| | V _R =V _{RRM} T _A =100°C | I _R | | | 20 | mA |
| Thermal Resistance | Junction to ambient | R _{θJA} | | 24 | | °C/W |
| Diode Junction capacitance | f=1MHz and applied 4V DC reverse Voltage | C _J | | 380 | | pF |
| Storage temperature | | T _{STG} | -50 | | +175 | °C |

RATING AND CHARACTERISTIC CURVES (CDBA520-G thru. CDBA5200-G)



Reel Taping Specification



| DO-214AC (SMA) | SYMBOL | A | B | C | d | D | D ₁ | D ₂ |
|-------------------|--------|---------------|---------------|---------------|---------------|---------------|----------------|----------------|
| | (mm) | 2.70 ± 0.10 | 5.30 ± 0.10 | 2.66 ± 0.10 | 1.50 ± 0.10 | 330 ± 2.00 | 62.0 MIN. | 13.50 ± 0.50 |
| | (inch) | 0.106 ± 0.004 | 0.209 ± 0.004 | 0.105 ± 0.004 | 0.059 ± 0.004 | 12.99 ± 0.079 | 2.441 MIN. | 0.531 ± 0.020 |

| DO-214AC (SMA) | SYMBOL | E | F | P | P ₀ | P ₁ | T | W | W ₁ |
|-------------------|--------|---------------|---------------|---------------|----------------|----------------|---------------|---------------|----------------|
| | (mm) | 1.75 ± 0.10 | 5.50 ± 0.10 | 4.00 ± 0.10 | 4.00 ± 0.10 | 2.00 ± 0.10 | 0.60 ± 0.10 | 12.0 ± 0.30 | 18.40 ± 1.00 |
| | (inch) | 0.069 ± 0.004 | 0.217 ± 0.004 | 0.157 ± 0.004 | 0.157 ± 0.004 | 0.079 ± 0.004 | 0.236 ± 0.004 | 0.472 ± 0.012 | 0.724 ± 0.039 |

Marking Code

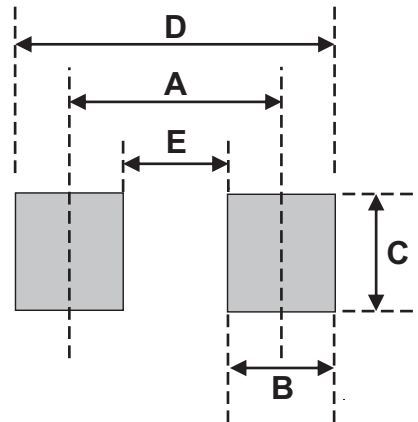
| Part Number | Marking Code |
|-------------|--------------|
| CDBA520-G | SK52 |
| CDBA540-G | SK54 |
| CDBA560-G | SK56 |
| CDBA5100-G | SK510 |
| CDBA5150-G | SK515 |
| CDBA5200-G | SK520 |



xxxx/xxxxx = Product type marking code

Suggested PAD Layout

| SIZE | DO-214AC(SMA) | |
|------|---------------|--------|
| | (mm) | (inch) |
| A | 4.00 | 0.157 |
| B | 2.50 | 0.100 |
| C | 1.70 | 0.068 |
| D | 6.50 | 0.256 |
| E | 1.50 | 0.060 |



Standard Packaging

| Case Type | REEL PACK | |
|-------------------|-----------------|---------------------|
| | REEL (pcs) | Reel Size (inch) |
| DO-214AC (SMA) | 5,000 | 13 |