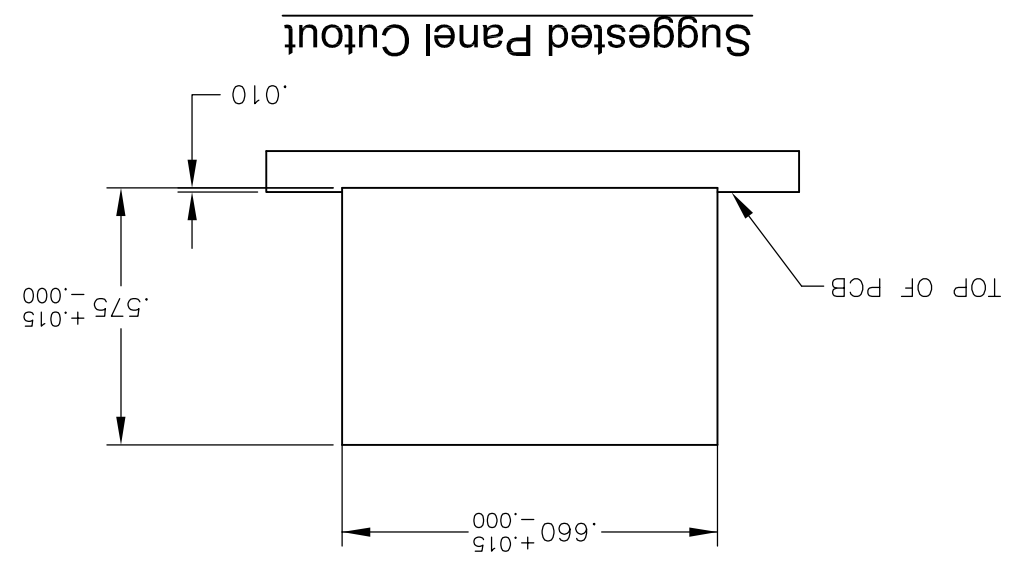
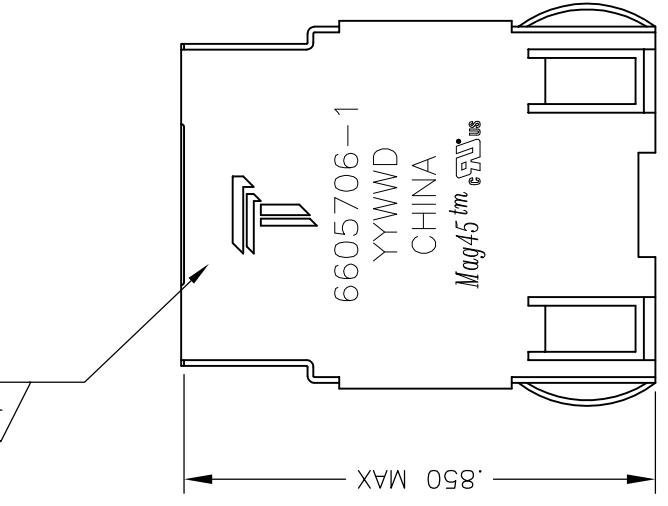
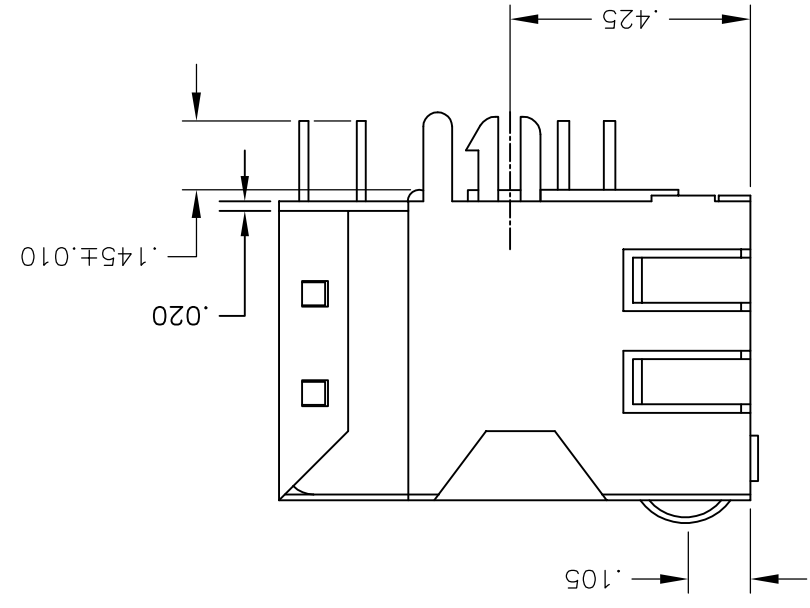
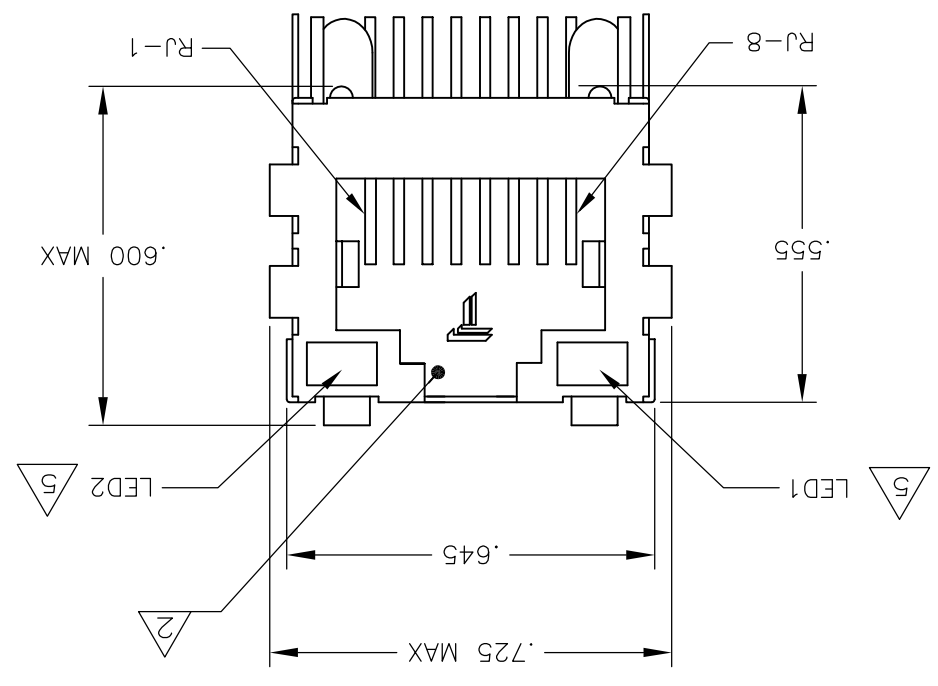


MECHANICAL:



REV	DATE	BY	CHK	DESCRIPTION
1	22APR2013	JC	KZ	LOGO CHANGE

- MATERIALS:**

HOUSING - THERMOPLASTIC PET POLYESTER FLAMMABILITY RATING UL 94V-0 SHIELD - .010" THICK, C26800 BRASS PREPLATED WITH 30μinch MIN SEMI-BRIGHT NICKEL; SOLDER TABS POST DIPPED WITH 100μinch MIN SAC SOLDER. MOD JACK CONTACTS - .0157" x .018", PHOSPHOR BRONZE, 50μinch MIN OVERALL NICKEL UNDERPLATE, WITH SELECT 50μinch MIN HARD GOLD FINISH PLATE. SOLDER TABS WITH 100μinch MIN MATTE TIN AND/OR SAC SOLDER DIP. CARBON STEEL LIGHT EMITTING DIODE(LED) - DIFFUSED EPOXY LENS, .020" x .020" WIREFRAME LEADS PREPLATED WITH 80μinch SILVER OVER 40μinch NICKEL UNDERPLATE OVER 40μinch COPPER UNDERPLATE; POST-PLATED WITH 100μinch MIN MATTE TIN AND/OR SAC SOLDER DIP OR PURE TIN SOLDER DIP.
- MAGNETICS:**

RJ45 JACK CAVITY CONFORMS TO FCC RULES AND REGULATIONS PART 68, SUB PART F. IMPEDANCE: 100 OHMS

-TRANSMIT OPEN CIRCUIT INDUCTANCE (OCL): 35μH (MIN) @100KHZ, 0.1VRMS WITH 8 mA DC BIAS. FOR EACH TRANSFORMER OVER T = 0°C TO +70°C.
- TURNS RATIO (CHIP, CABLE): TX: 1:1, RX: 1:1

PERFORMANCE: @ 25°C

-INSERTION LOSS (IL): 1.1db MAX FROM 0.5MHZ TO 100MHZ

-RETURN LOSS (RL): 18db MIN FROM 0.5MHZ TO 30MHZ

18 - 20LOG (f/30)db MIN FROM 30.1MHZ TO 60MHZ

12db MIN FROM 60.1MHZ TO 80MHZ

33-20LOG (f/50)db MIN FROM 40.1MHZ TO 100MHZ

-CROSS-TALK ATTENUATION: 35db MIN FROM 0.5MHZ TO 40MHZ

-COMMON MODE REJECTION RATIO (CMRR): 30db MIN FROM 0.5MHZ TO 100MHZ

-DIELECTRIC (ISOLATION VOLTAGE): 2250 VDC (1mA CUTOFF CURRENT), 60 SECONDS BETWEEN ALL RJ45 CONTACTS

AND ALL SIGNAL PINS WITH OUTER SHIELD
- 4. OPERATING TEMPERATURE: FROM 0°C TO +70°C.

THE 250 OHM LED RESISTORS ARE OPTIONAL, PLEASE SEE CHART FOR PRESENCE OR ABSENCE OF LED RESISTORS. IF THE LED WITHOUT 250 OHM RESISTORS, LED IS DRIVEN WITH CONSTANT CURRENT AT APPROX 20mA.

LED COLOR: DOMINANT WAVELENGTH (λD): GREEN 568 nm TYP. AT IF=20mA

LED COLOR: DOMINANT WAVELENGTH (λD): GREEN 568 nm TYP. AT IF=20mA

FORWARD VOLTAGE (VF): GREEN 2.2V TYP. AT IF=20mA

DOMINANT WAVELENGTH (λD): YELLOW 588 nm TYP. AT IF=20mA

FORWARD VOLTAGE (VF): YELLOW 2.1V TYP. AT IF=20mA

IF THE LED WITH 250 OHM RESISTORS, LED IS DRIVEN WITH 5V VOLTAGE AND THE MAX OPERATING CURRENT IS 20mA.

LED COLOR: DOMINANT WAVELENGTH (λD): GREEN 568 nm TYP. AT VF=5V

FORWARD CURRENT (IF): GREEN 12 mA TYP. AT VF=5V

DOMINANT WAVELENGTH (λD): YELLOW 588 nm TYP. AT VF=5V

FORWARD CURRENT (IF): YELLOW 13 mA TYP. AT VF=5V
- INDICATED CONNECTIONS ARE FOR NIC CONFIGURATION. THE MAGNETICS ARE ASYMMETRICAL, AND DO NOT SUPPORT AUTO-MDI/MIDX.

TRP CONNECTOR LOGO, TE CONNECTIVITY PART NUMBER, DATE CODE, COUNTRY OF ORIGIN AND AGENCY APPROVAL MARKING IN APPROXIMATE LOCATION SHOWN.
- 8. THESE PARTS ARE RECOMMENDED FOR WAVE SOLDERING PROCESS, PEAK WAVE SOLDERING TEMPERATURE IS 265°C MAX, 10 SECONDS MAX.

2KV DECOUPLING CAPACITOR	LED1	LED2	250 OHMS RESISTOR	PART NUMBER
YES	GREEN	GREEN	YES	6-6605706-1
YES	GREEN	GREEN	NO	5-6605706-6
YES	GREEN	GREEN	NO	5-6605706-7
YES	GREEN	GREEN	YES	1-6605706-1
YES	YELLOW	YELLOW	YES	5-6605706-1
YES	YELLOW	YELLOW	YES	5-6605706-2
YES	GREEN/YELLOW	GREEN	NO	5-6605706-5
YES	GREEN/YELLOW	GREEN	NO	5-6605706-6
YES	GREEN	GREEN	NO	5-6605706-7
YES	GREEN	YELLOW	NO	5-6605706-8
YES	YELLOW	GREEN	NO	5-6605706-9
YES	GREEN	GREEN	YES	6-6605706-1

THIS DRAWING IS A CONTROLLED DOCUMENT.

OR: M. HOSEER/R. GRZYBOWSKI

TRP connector Dongguan China

NAME: 1X1 MAG45 (TM) MODULAR JACK, 7N2 SERIES CIRCUIT, SHIELDED, OPTIONAL DECOUPLING CAPACITOR WITH LEDS, 108-2100

APPROXIMATE SPEC: 108-2100

FINISH: 0 P/C ±.01, 1 P/C ±.01, 2 P/C ±.005

SEE NOTE 1

CUSTOMER DRAWING SCALE: 1:1 SHEET 1 OF 2 REV E

A  
B  
C  
D

A  
B  
C  
D