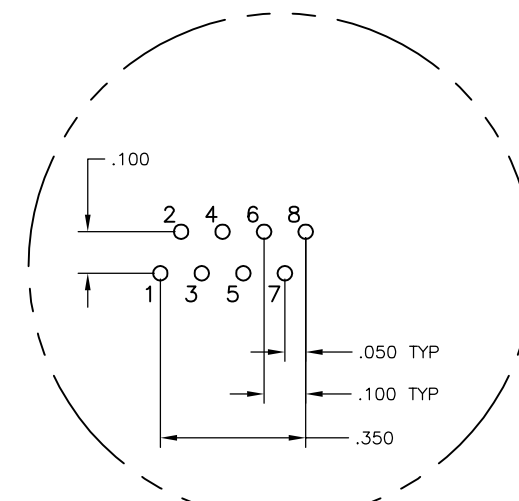
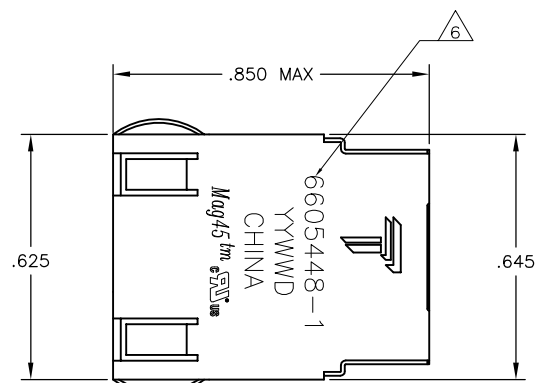


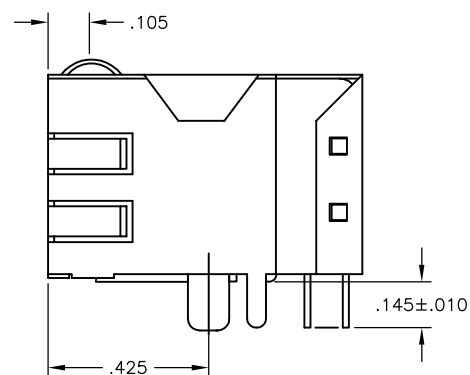
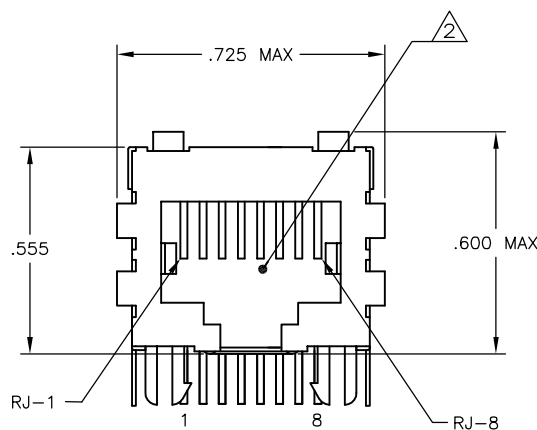
REVISIONS					
#	DATE	DESCRIPTION	BY	APP'D	REV
E	23APR2013	LOGO CHANGE	JC	KZ	

MECHANICAL:

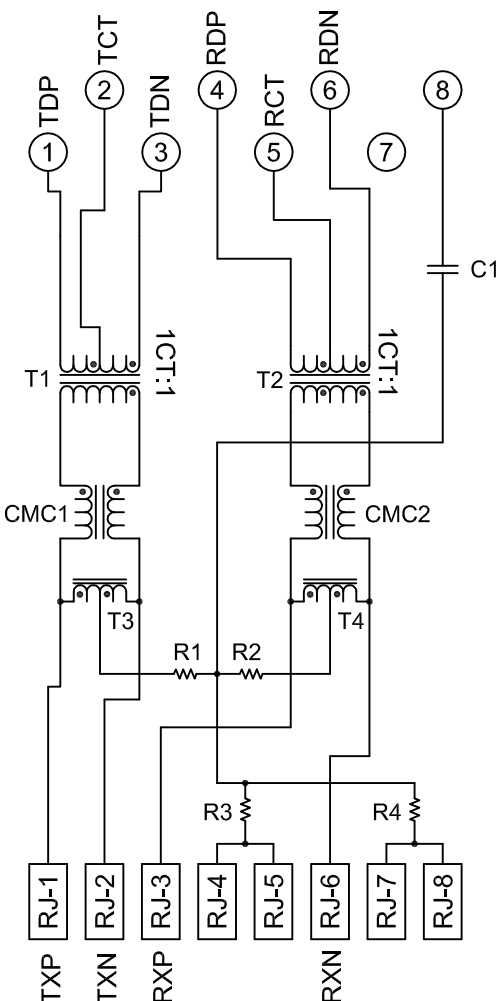


Pin Designations

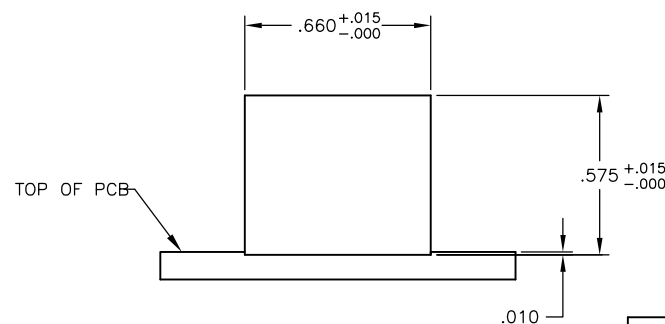
- △1 MATERIALS:  
 HOUSING - THERMOPLASTIC PET POLYESTER FLAMMABILITY RATING UL 94V-0.  
 SHIELD - .010" THICK, C26800 BRASS PREPLATED WITH 30μINCH MIN SEMI-BRIGHT NICKEL. SOLDER TABS POST DIPPED WITH 100μINCH MIN SAC SOLDER.  
 MOD JACK CONTACTS - 0.0157 X 0.018" PHOSPHOR BRONZE, 50μINCH MIN OVERALL NICKEL UNDERPLATE WITH SELECT 50μINCH MIN HARD GOLD FINISH PLATE. SOLDER TAILS WITH 100μINCH MIN MATTE TIN AND/OR SAC SOLDER DIP.
- △2 RJ45 JACK CAVITY CONFORMS TO FCC RULES AND REGULATIONS PART 68, SUB PART F.
- △3 MAGNETICS  
 -IMPEDANCE: 100 OHMS  
 -TURNS RATIO (CHIP:CABLE): TX = 1:1, RX = 1:1  
 -OPEN CIRCUIT INDUCTANCE (OCL): 350mH MIN @100kHz, 0.1VRMS, 8mADC BIAS FROM -40°C TO +85°C, TX AND RX  
 -PERFORMANCE @ 25°C:  
 INSERTION LOSS (IL): 1.1dB MAX FROM 0.5MHz TO 100MHz  
 RETURN LOSS (RL): 18dB MIN FROM 0.5MHz TO 30MHz  
 18-20LOG(f/30)dB MIN FROM 30.1MHz TO 60MHz  
 12dB MIN FROM 60.1MHz TO 80MHz  
 CROSSTALK ATTENUATION: 35dB MIN FROM 0.5MHz TO 40MHz  
 33-20xLOG(f/50)dB MIN FROM 40.1MHz TO 100MHz  
 COMMON MODE REJECTION RATIO (CMRR): 30dB MIN FROM 0.5MHz TO 100MHz  
 -ISOLATION VOLTAGE: 2250VDC (MAX) FOR 60 SECONDS WITH A RISE TIME OF 500V/SEC.
- 4. OPERATING TEMPERATURE: FROM -40°C TO +85°C.
- △5 INDICATED CONNECTIONS ARE FOR NIC CONFIGURATION. THE MAGNETICS ARE SYMMETRIC, AND SUPPORT AUTO-MDI/MDIX.
- △6 TRP CONNECTOR LOGO, PART NUMBER, DATE CODE, COUNTRY OF ORIGIN AND AGENCY APPROVAL MARKING IN APPROXIMATE LOCATION SHOWN.
- 7. THE PART IS RECOMMENDED FOR WAVE SOLDERING PROCESS. PREHEAT TEMPERATURE IS 120°C TO 160°C, 120 SECONDS TO 180 SECONDS. PEAK SOLDERING TEMPERATURE IS 260 °C MAX, 10 SECONDS MAX.



415ETP1 SERIES MAGNETIC CIRCUIT △3 △5



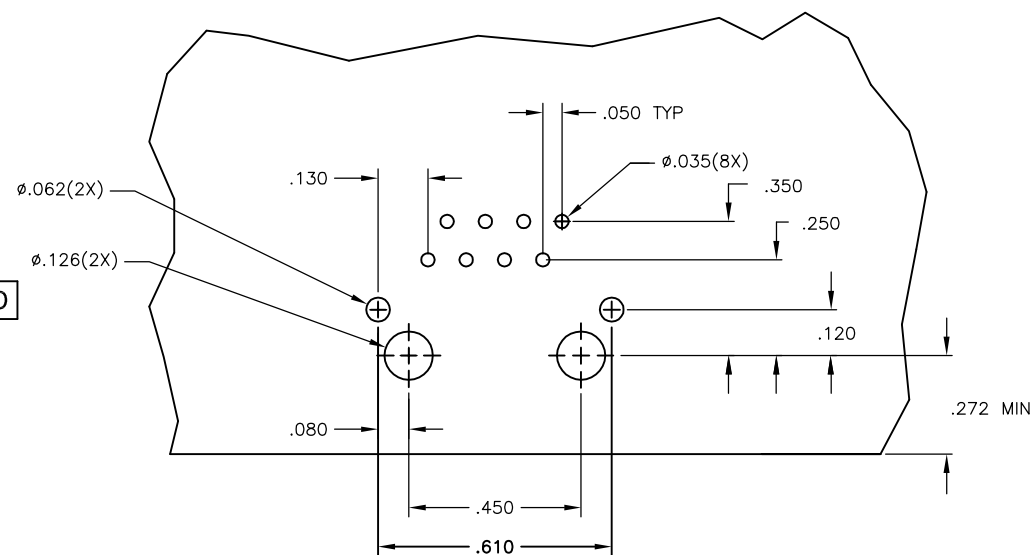
C1=1000pF, 2kV CAPACITOR  
 R1-R4 = 75 OHMS, 1/16 W RESISTORS



Suggested Panel Cutout

SHIELD

SHIELD



Suggested PCB Layout  
 (Component Side)

6605448-1  
 PART NUMBER

THIS DRAWING IS A CONTROLLED DOCUMENT.		DATE: 04MAR2006 CHK: A. FERNANDEZ-DOCKE APP'D: D. FAROLE DATE: 04MAR2005	TRP connector Dongguan China
DIMENSIONS: INCHES	TOLERANCES UNLESS OTHERWISE SPECIFIED:	PRODUCT SPEC 108-2100	NAME 1X1 MAG45(TM), MODULAR JACK, 4N2ETP1 SCHEMATIC, 415ETP1 SERIES CIRCUIT, SHIELDED, DECOUPLING CAPACITOR, NO LEDS
MATERIAL	FINISH	WEIGHT	SIZE: A1 CASE CODE: C=6605448 DRAWING NO: C=6605448
CUSTOMER DRAWING		SCALE: NTS	SHEET 1 OF 1 REV E