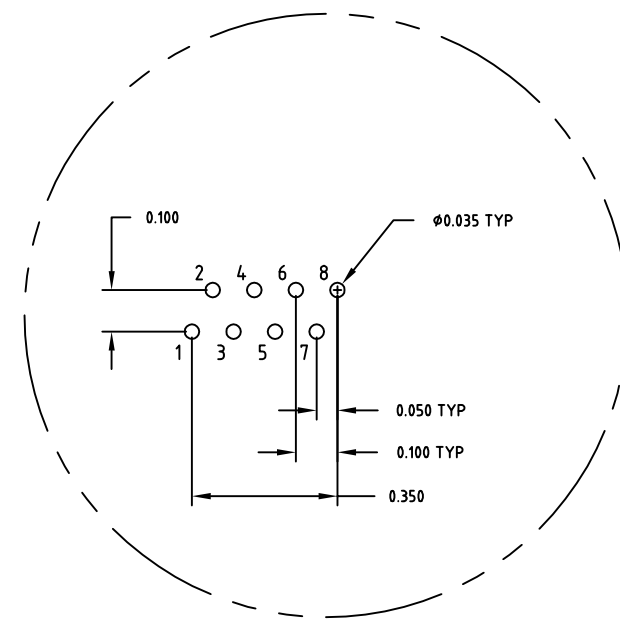
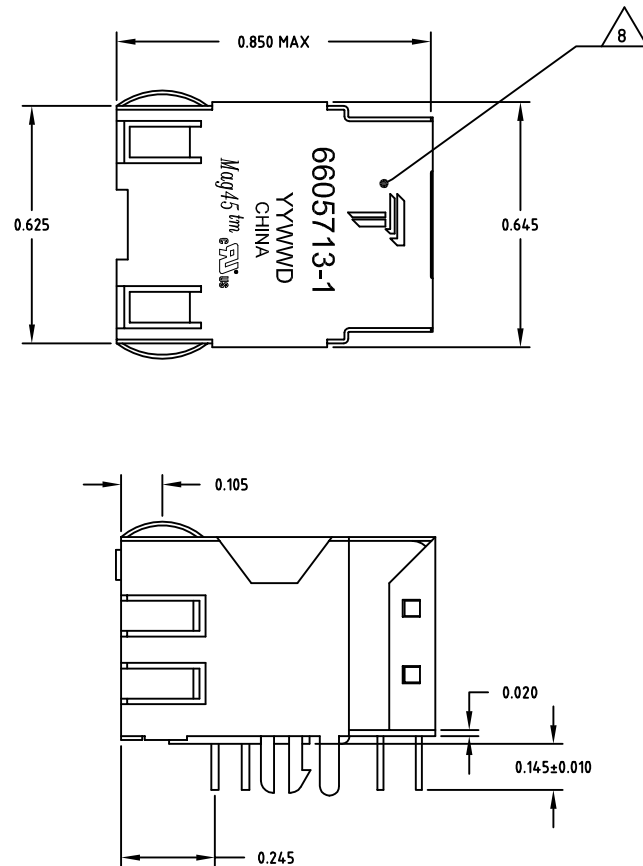
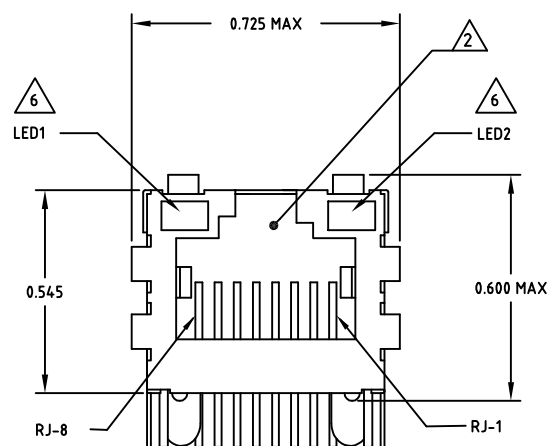


REVISIONS					
#	LTN	DESCRIPTION	DATE	BY	APP'D
E		LOGO CHANGE	23APR2013	JC	KZ

MECHANICAL:

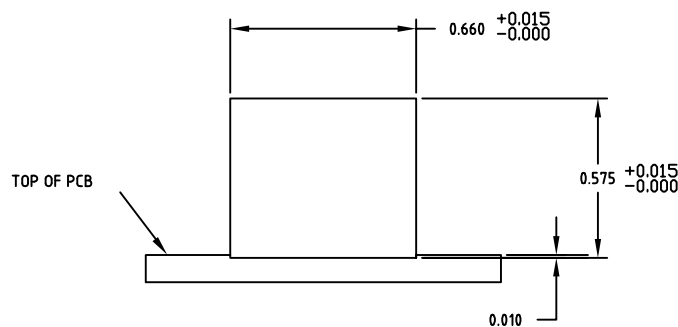


Pin Designations



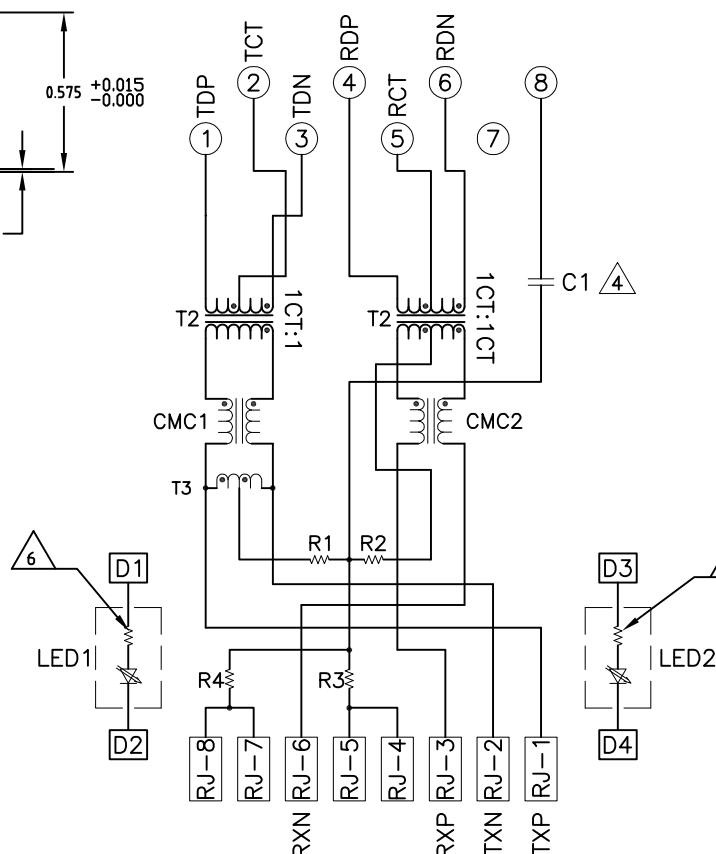
NOTES:

- △ MATERIALS:  
 HOUSING - THERMOPLASTIC PET POLYESTER FLAMMABILITY RATING UL 94V-0.  
 SHIELD - 0.010" THICK, C26800 BRASS PREPLATED WITH 30μINCH MIN SEMI-BRIGHT NICKEL; SOLDER TAB POST DIPPED WITH 100μINCH MIN SAC SOLDER.  
 MOD JACK CONTACTS - .0157" X .018", PHOSPHOR BRONZE, 50μINCH MIN OVERALL NICKEL UNDERPLATE, WITH SELECT 50μINCH MIN HARD GOLD FINISH PLATE.  
 SOLDERTAILS WITH 100μINCH MIN MATTE TIN AND/OR SAC SOLDER DIP  
 LIGHT EMITTING DIODE(LED) - DIFFUSED EPOXY LENS, .020" X .020" CARBON STEEL WIREFRAME LEADS PREPLATED WITH 80μINCH SILVER OVER 40μINCH NICKEL UNDERPLATE OVER 40μINCH COPPER UNDERPLATE; POST-PLATED WITH 100μINCH MIN MATTE TIN AND/OR SAC SOLDER DIP OR PURE TIN SOLDER DIP.
- △ RJ45 JACK CAVITY CONFORMS TO FCC RULES AND REGULATIONS PART 68, SUB PART F.
- △ MAGNETICS:  
 -APPLICATION: 10/100 BASE-T  
 -IMPEDANCE: 100 OHMS  
 -TURNS RATIO (CHIP: CABLE): TX = 1:1, RX = 1:1  
 -OPEN CIRCUIT INDUCTANCE (OCL): 350uH MIN @100kHz, 0.1VRMS, 8mADC BIAS FROM 0°C TO 70°C, TX AND RX  
 -PERFORMANCE @ 25°C:  
 INSERTION LOSS (IL): 1.1dB MAX FROM 0.5MHz TO 100MHz  
 RETURN LOSS (RL): 18dB MIN FROM 0.5MHz TO 30MHz  
 18-20LOG(f/30)dB MIN FROM 30.1MHz TO 60MHz  
 12dB MIN FROM 60.1MHz TO 80MHz  
 CROSSTALK ATTENUATION: 35dB MIN FROM 0.5MHz TO 40MHz  
 33-20LOG(f/50)dB MIN FROM 40.1MHz TO 100MHz  
 COMMON MODE REJECTION RATIO (CMRR): 30dB MIN FROM 0.5MHz TO 100MHz  
 -ISOLATION VOLTAGE: 2250VDC (MAX) FOR 60 SECONDS WITH A RISE TIME OF 500V/SEC.

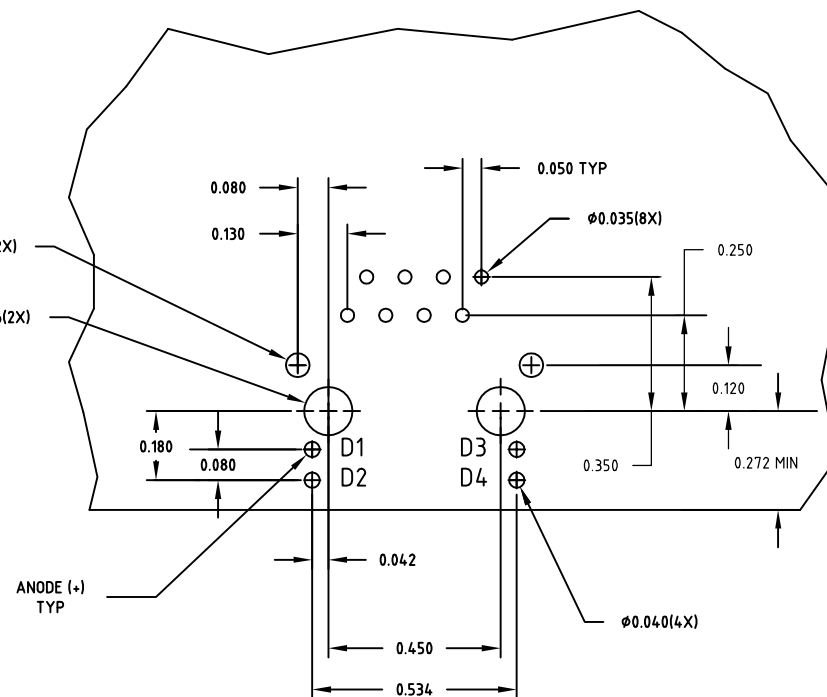


Suggested Panel Cutout

714P1 10/100 BASE-T CIRCUIT



C1 = 1000 pF, 2kV DECOUPLING CAPACITOR  
 R1-R4 = 75 OHMS, 1/16W, 5% RESISTORS



Suggested PCB Layout

- △ C1 IS AN OPTIONAL. IF NO CAPACITOR, TRACE IS CONTINUOUS.
- 5. OPERATING TEMPERATURE: FROM 0° - +70°C
- △ THE 250 OHM LED RESISTORS ARE OPTIONAL, PLEASE SEE CHART FOR PRESENCE OR ABSENCE OF LED RESISTORS. IF THE LED WITHOUT 250 OHM RESISTORS, LED IS DRIVEN WITH CONSTANT CURRENT AT APPROX 20mA.  
 LED COLOR: DOMINANT WAVELENGTH (λD): GREEN 568 nm TYP. @ IF=20mA  
 FORWARD VOLTAGE (VF): GREEN 2.2V TYP. @ IF=20mA  
 DOMINANT WAVELENGTH (λD): YELLOW 588 nm TYP. @ IF=20mA  
 FORWARD VOLTAGE (VF): YELLOW 2.1V TYP. @ IF=20mA.  
 DOMINANT WAVELENGTH (λD): ORANGE 605 nm TYP. @ IF=20mA  
 FORWARD VOLTAGE (VF): ORANGE 2.05V TYP. @ IF=20mA.  
 IF THE LED WITH 250 OHM RESISTORS, LED IS DRIVEN WITH 5V VOLTAGE AND THE MAX OPERATING CURRENT IS 20mA.  
 LED COLOR : DOMINANT WAVELENGTH (λD): GREEN 568 nm TYP. @ VF=5V  
 FORWARD CURRENT (IF): GREEN 12 mA TYP. @ VF=5V  
 DOMINANT WAVELENGTH (λD): YELLOW 588 nm TYP. @ VF=5V  
 FORWARD CURRENT (IF): YELLOW 13 mA TYP. @ VF=5V
- △ INDICATED CONNECTIONS ARE FOR NIC CONFIGURATION. THE MAGNETICS ARE ASYMMETRICAL, AND THEREFORE DO NOT SUPPORT AUTO-MDI/MDIX.
- △ TRP CONNECTOR LOGO, PART NUMBER, DATE CODE, COUNTRY OF ORIGIN AND AGENCY APPROVAL MARKING IN APPROXIMATE LOCATION SHOWN.
- 9. THESE PARTS ARE RECOMMENDED FOR WAVE SOLDERING PROCESS, PEAK WAVE SOLDERING TEMPERATURE IS 265°C, 10SECONDS MAX.
- △ OBSOLETE PARTS: OBSOLETE CIS STREAMLINING PER D.RENAUD/D.SINISI

OBsolete	YES	YES	GREEN	YELLOW	5-6605713-1
	NO	NO	GREEN	GREEN	6605713-7
	YES	NO	GREEN	YELLOW	6605713-1
LED RESISTOR	△ 6	DECOUPLING CAPACITOR	LED1	LED2	PART NUMBER

THIS DRAWING IS A CONTROLLED DOCUMENT.		CHK BY: R.GRZYBOWSKI		DATE: 23APR2013	
DIMENSIONS: 1/16"		TOLERANCES UNLESS OTHERWISE SPECIFIED:		D.F.AROLE	
MATERIAL: 1/16"		FINISH: 1/16"		DATE: 23APR2013	
PRODUCT SPEC: 108-2100		APPLICATION SPEC:		NAME: TX1 MAG45(TM), 7N2P1 SCHEMATIC, 714 SERIES CIRCUIT, OPTIONAL DECOUPLING CAPACITOR, WITH LEADS	
MATERIAL: 1/16"		FINISH: 1/16"		SIZE: A1	
CUSTOMER DRAWING		SCALE: NTS		SHEET 1 OF 1	