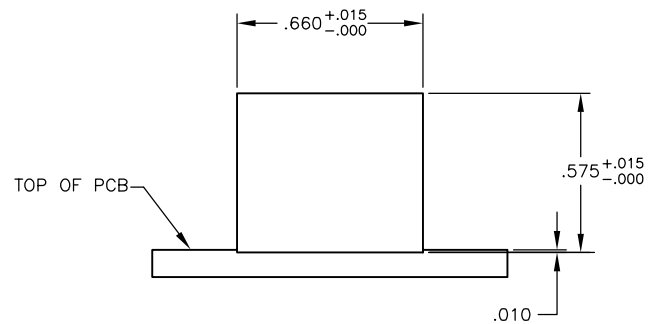
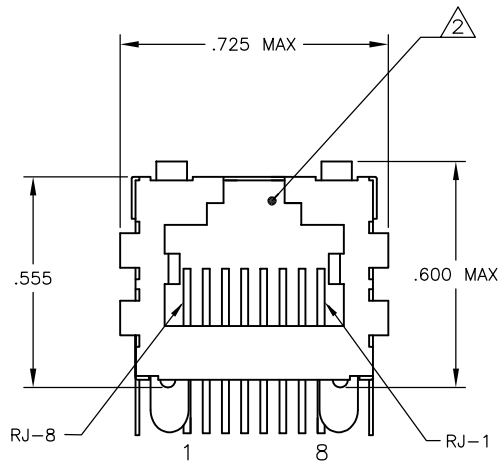
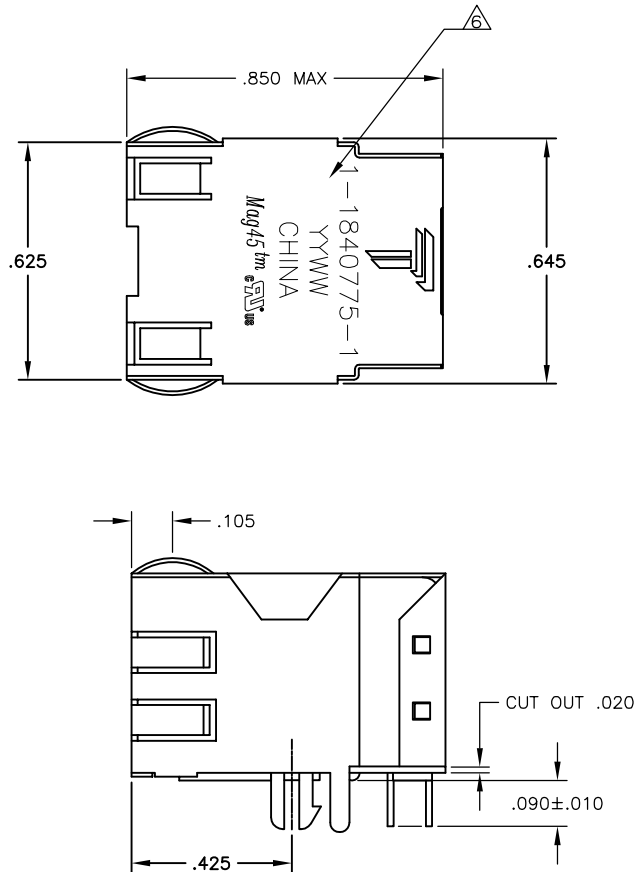
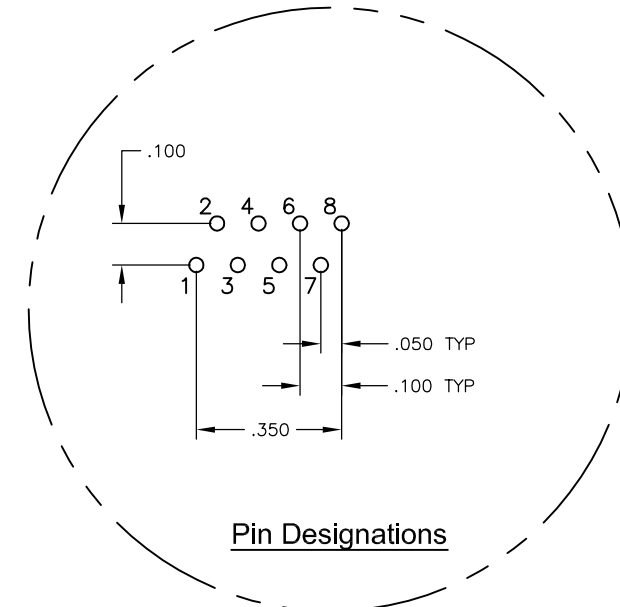


REVISIONS					
#	LR	DESCRIPTION	DATE	BY	APP'D
B		LOGO CHANGE	23APR2013	JC	KZ

MECHANICAL:

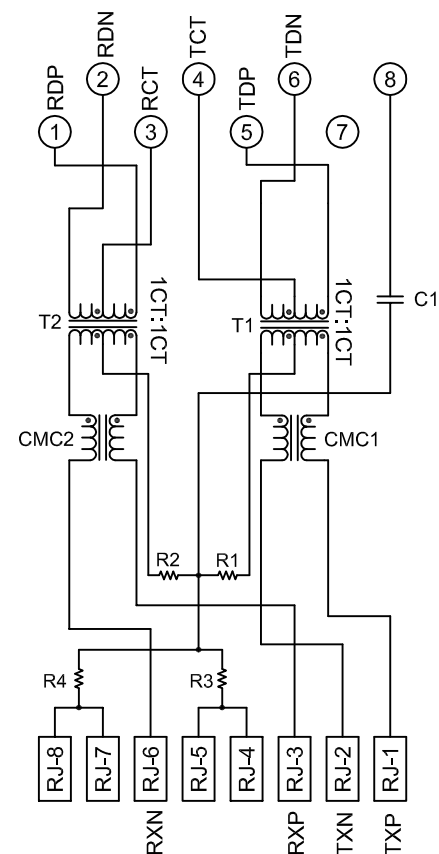


Suggested Panel Cutout

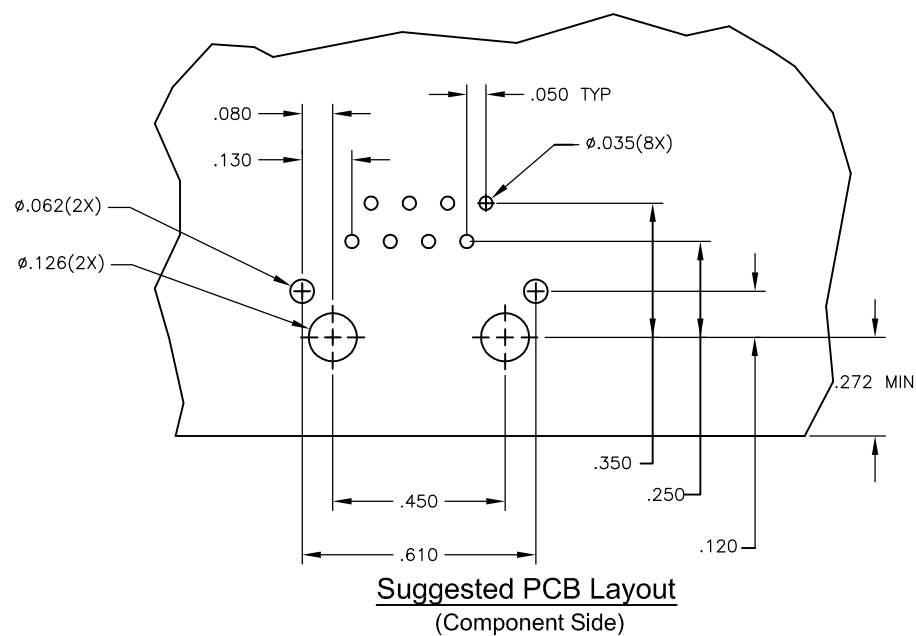


Pin Designations

726 SERIES MAGNETIC CIRCUIT



C1 = 1000 pF, 2 kV CAPACITOR
 R1-R4 = 75 OHMS, 1/16W RESISTORS



Suggested PCB Layout (Component Side)

- △1 MATERIALS:
 - HOUSING - THERMOPLASTIC PET POLYESTER FLAMMABILITY RATING UL 94V-0.
 - SHIELD - .010" THICK, C26800 BRASS PREPLATED WITH 30μINCH MIN SEMI-BRIGHT NICKEL, SOLDER TABS POST DIPPED WITH 100μINCH MIN SAC SOLDER.
 - MOD JACK CONTACTS - 0.0157" x 0.018" PHOSPHOR BRONZE, 50μINCH MIN OVERALL NICKEL UNDERPLATE, WITH SELECT 50μINCH MIN HARD GOLD FINISH PLATE.
 - SOLDERTAILS WITH 100μINCH MIN MATTE TIN AND/OR SAC SOLDER DIP.
- △2 RJ45 JACK CAVITY CONFORMS TO FCC RULES AND REGULATIONS PART 68, SUB PART F.
- △3 MAGNETICS
 - APPLICATION: 10/100 BASE-T
 - IMPEDANCE: 100 OHMS
 - TURNS RATIO (CHIP:CABLE): TX = 1:1, RX = 1:1
 - OPEN CIRCUIT INDUCTANCE (OCL): 350μH MIN @100kHz, 0.1VRMS, 8mADC BIAS FROM 0°C TO 70°C, TX AND RX
 - PERFORMANCE @ 25°C:
 - INSERTION LOSS (IL): 1.1dB MAX FROM 0.5MHz TO 100MHz
 - RETURN LOSS (RL): 18dB MIN FROM 0.5MHz TO 30MHz
 - 18-20LOG(f/30)dB MIN FROM 30.1MHz TO 60MHz
 - 12dB MIN FROM 60.1MHz TO 80MHz
 - CROSSTALK ATTENUATION: 35dB MIN FROM 0.5MHz TO 40MHz
 - 33-20LOG(f/50)dB MIN FROM 40.1MHz TO 100MHz
 - COMMON MODE REJECTION RATIO (CMRR): 30dB MIN FROM 0.5MHz TO 100MHz
 - ISOLATION VOLTAGE: 2250VDC (MAX) FOR 60 SECONDS WITH A RISE TIME OF 500V/SEC.
- 4. OPERATING TEMPERATURE: FROM 0 °C TO +70 °C.
- △5 INDICATED CONNECTIONS ARE FOR NIC CONFIGURATION. THE MAGNETICS ARE SYMMETRIC TO SUPPORT AUTO-MDI/MDIX.
- △6 TRP CONNECTOR LOGO, PART NUMBER, DATE CODE, COUNTRY OF ORIGIN AND AGENCY APPROVAL MARKING IN APPROXIMATE LOCATION SHOWN.
- 7. THE PART IS RECOMMENDED FOR WAVE SOLDERING PROCES, PREHEAT TEMPERATURE IS 120°C TO 160°C, 120 SECONDS TO 180 SECONDS, PEAK WAVE SOLDERING TEMPERATURE IS 260°C MAX, 10 SECONDS MAX.

1-1840775-1
 PART NUMBER

THIS DRAWING IS A CONTROLLED DOCUMENT.		CHK VYKIN LEE 18OCT2009	TRP connector
DIMENSIONS:		CHK QUENTIN LIU 18OCT2009	Dongguan China
TOLERANCES UNLESS OTHERWISE SPECIFIED:		APP'D LIJUN RAO 18OCT2009	
INCHES	0 PLC ± -	PRODUCT SPEC	NAME
	1 PLC ± .010	108-104004	1X1 MAG45(TM), MODULAR JACK, 7N2 SCHEMATIC
	2 PLC ± .005	APPLICATION SPEC	10/100, 726 SERIES CIRCUIT, SHIELDED, W/O LEDS
	3 PLC ± .005		SIZE CASE CODE DRAWING NO
	4 PLC ± .005		A1 C=1840775
	ANGLES ± -		RESTRICTED TO
MATERIAL	FINISH	WEIGHT	
△1	△1		
CUSTOMER DRAWING		SCALE NTS	SHEET 1 OF 1 REV B