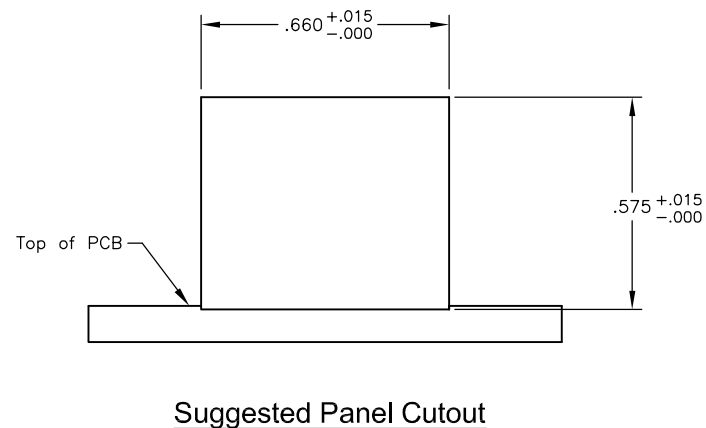
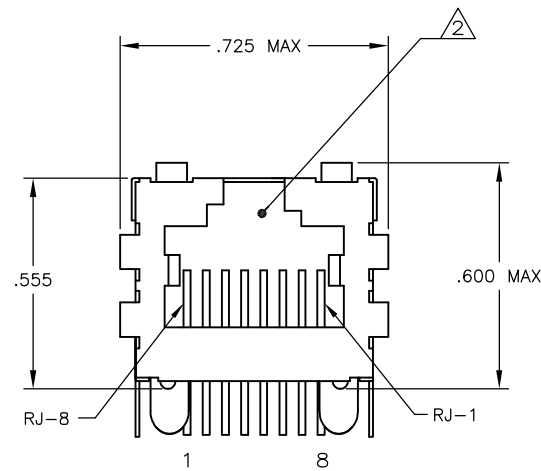
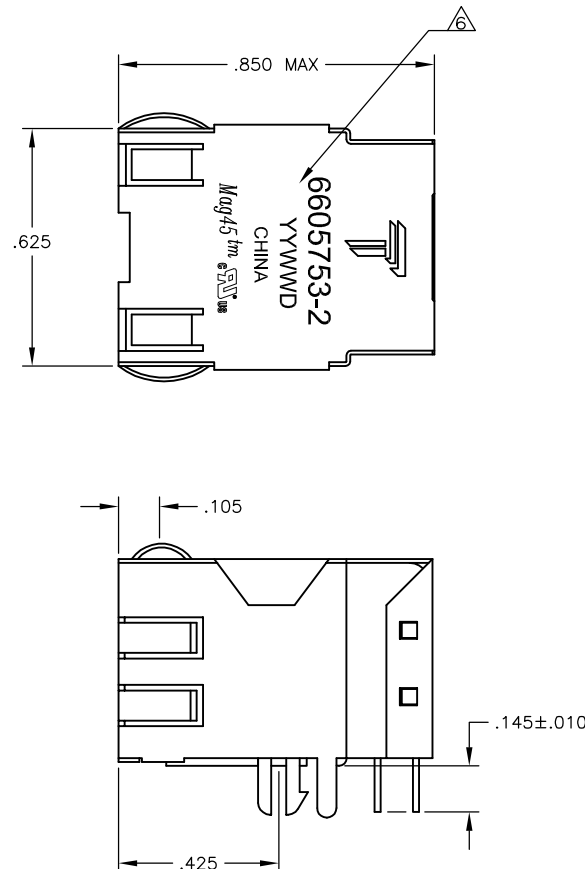
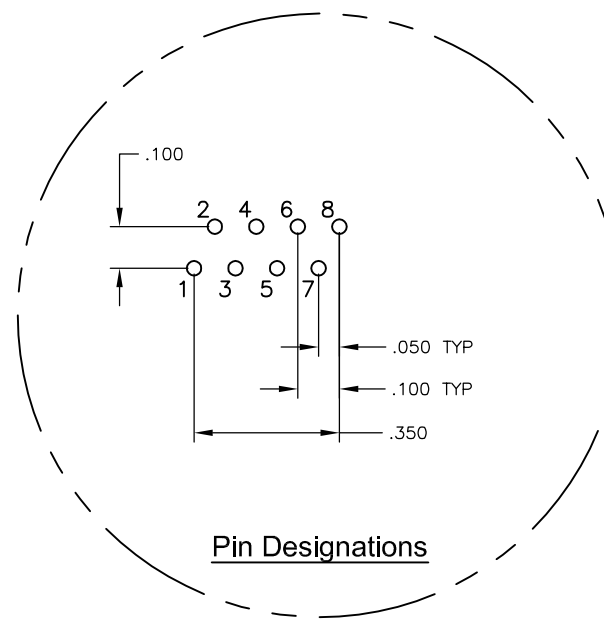


REVISIONS					
#	LTN	DESCRIPTION	DATE	BY	APP'D
F		LOGO CHANGE	23APR2013	JC	KZ

MECHANICAL:



Suggested Panel Cutout

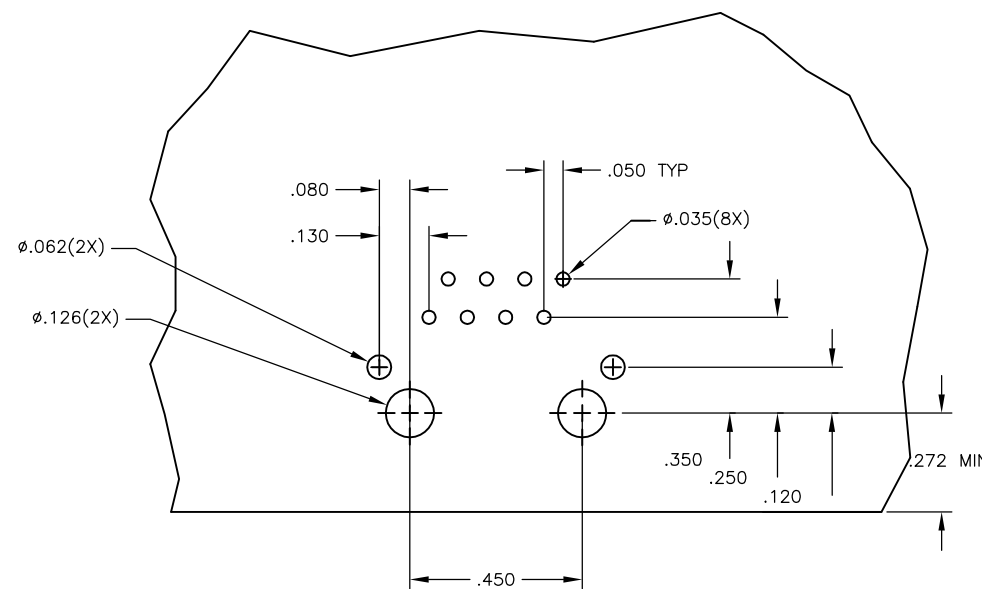
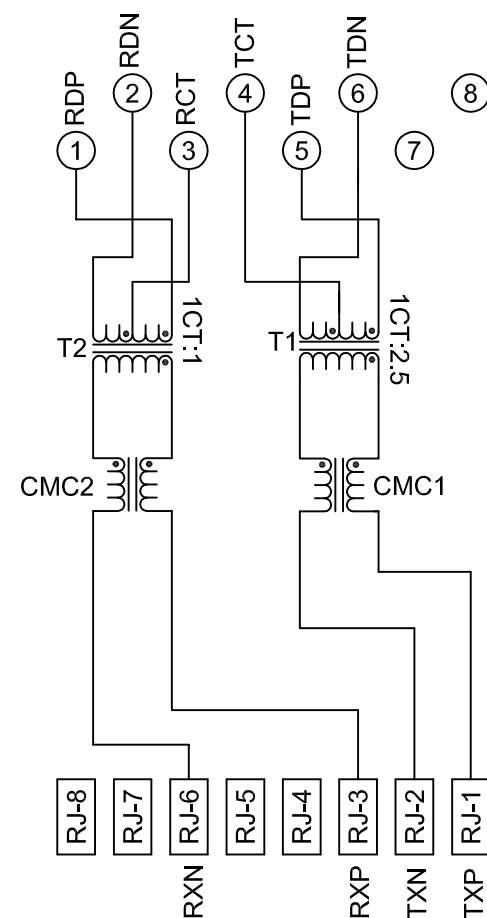


Pin Designations

- ⚠ **MATERIALS:**
 - HOUSING - THERMOPLASTIC PET POLYESTER FLAMMABILITY RATING UL 94V-0.
 - SHIELD - .010" THICK, C26800 BRASS PREPLATED WITH 30μINCH MIN SEMI-BRIGHT NICKEL, SOLDER TABS POST DIPPED WITH 100μINCH MIN SAC SOLDER.
 - MOD JACK CONTACTS - 0.0157" x 0.018" PHOSPHOR BRONZE, 50μINCH MIN OVERALL NICKEL UNDERPLATE, WITH SELECT 50μINCH MIN HARD GOLD FINISH PLATE. SOLDER TAILS WITH 100μINCH MIN MATTE TIN AND/OR SAC SOLDER DIP.
- ⚠ **RJ45 JACK CAVITY CONFORMS TO FCC RULES AND REGULATIONS PART 68, SUB PART F.**
- ⚠ **MAGNETICS**
 - APPLICATION: 10 BASE-T
 - IMPEDANCE: 100 OHMS
 - TURNS RATIO (CHIP:CABLE): TX = 1:2.5 RX = 1:1
 - TRANSMIT OPEN CIRCUIT INDUCTANCE (OCL): 14.0μH MIN @ 100kHz, 0.1VRMS
 - LEAKAGE INDUCTANCE (LL): 0.30μH MAX @ 100kHz, 0.1VRMS
 - INTERWINDING CAPACITANCE (CW): 15pF MAX @ 100kHz, 0.1VRMS
 - ISOLATION VOLTAGE: 2250VDC (MAX) FOR 60 SECONDS WITH A RISE TIME OF 500V/SEC.
- 4. OPERATING TEMPERATURE: FROM 0°C TO +70°C.
- ⚠ INDICATED CONNECTIONS ARE FOR NIC CONFIGURATION.
- ⚠ TRP CONNECTOR LOGO, PART NUMBER, DATE CODE, COUNTRY OF ORIGIN AND AGENCY APPROVAL MARKING IN APPROXIMATE LOCATION SHOWN.
- 7. THE PART IS RECOMMENDED FOR WAVE SOLDERING PROCESS, PREHEAT TEMPERATURE IS 120°C TO 160°C, 120 SECONDS TO 180 SECONDS, PEAK WAVE SOLDERING TEMPERATURE IS 260°C MAX, 10 SECONDS MAX.

ELECTRICAL:

724 SERIES MAGNETIC CIRCUIT ⚠ ⚠



**Suggested PCB Layout
(Component Side)**

6605753-2
 PART NUMBER

THIS DRAWING IS A CONTROLLED DOCUMENT.		DWG: L. VARELA - 28FEB2005 CHK: D. FAROLE - 28FEB2005 APP'D: D. FAROLE - 28FEB2005	TRP connector Dongguan China
DIMENSIONS: INCHES 0 PLC ± - 1 PLC ± .010 2 PLC ± .005 3 PLC ± .005 4 PLC ± .005 ANGLES ± -	TOLERANCES UNLESS OTHERWISE SPECIFIED: 0 PLC ± - 1 PLC ± .010 2 PLC ± .005 3 PLC ± .005 4 PLC ± .005 ANGLES ± -	PRODUCT SPEC: 108-2100 APPLICATION SPEC:	NAME: 1X1 MAG45(TM), MODULAR JACK 7N3 SCHEMATIC 724 MAGNETIC CIRCUIT, (10 BASE-T ETHERNET), SHIELDED, NO LEDS SIZE: A1 CASE CODE: C=6605753 DRAWING NO:
MATERIAL: ⚠	FINISH: ⚠	WEIGHT: -	RESTRICTED TO: -
CUSTOMER DRAWING		SCALE: NTS	SHEET 1 OF 1 REV F