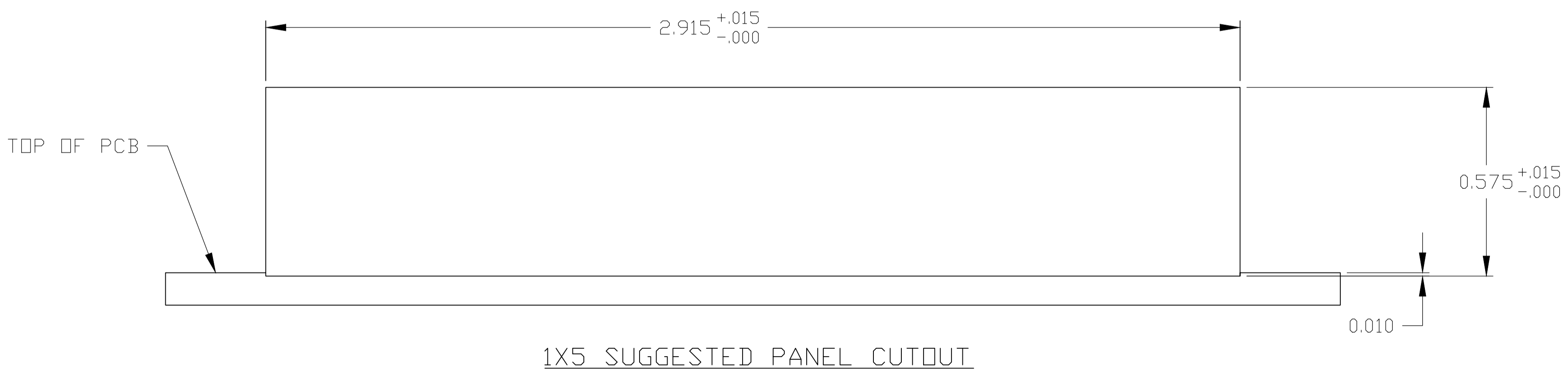
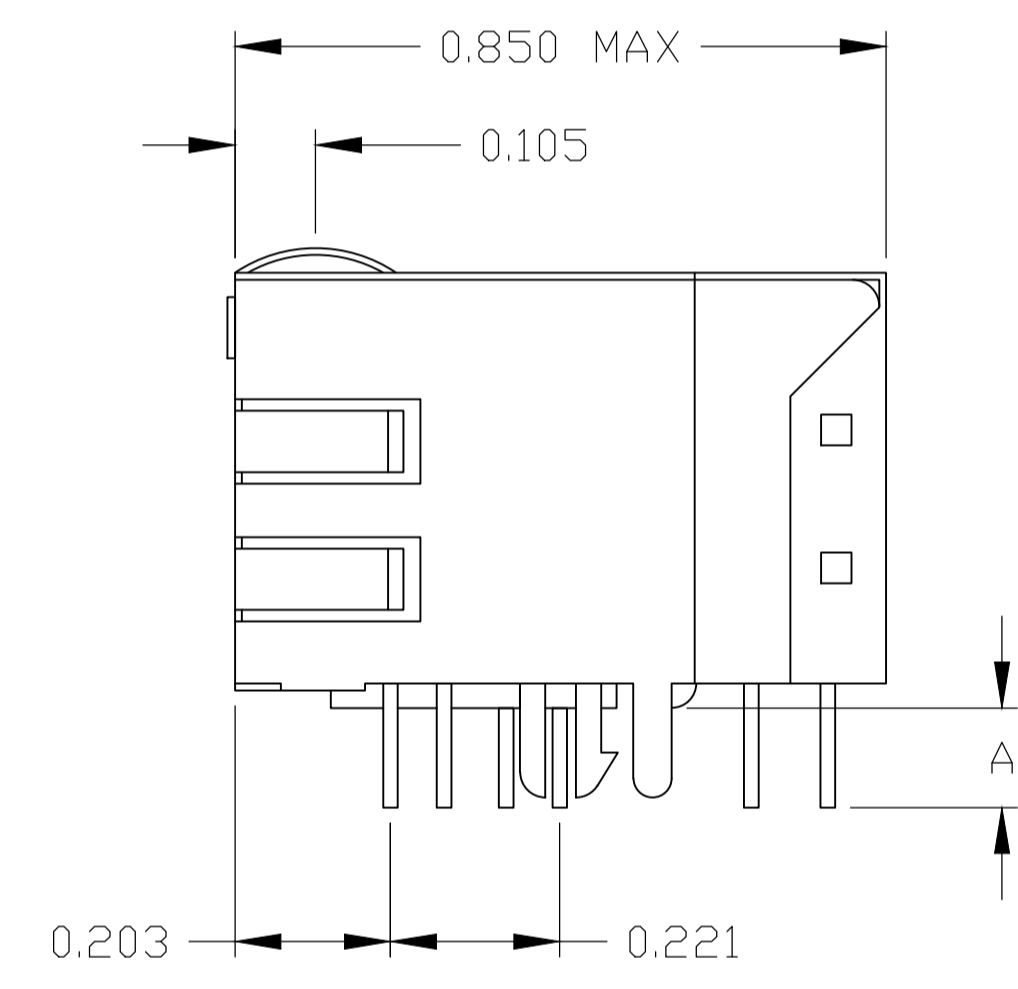
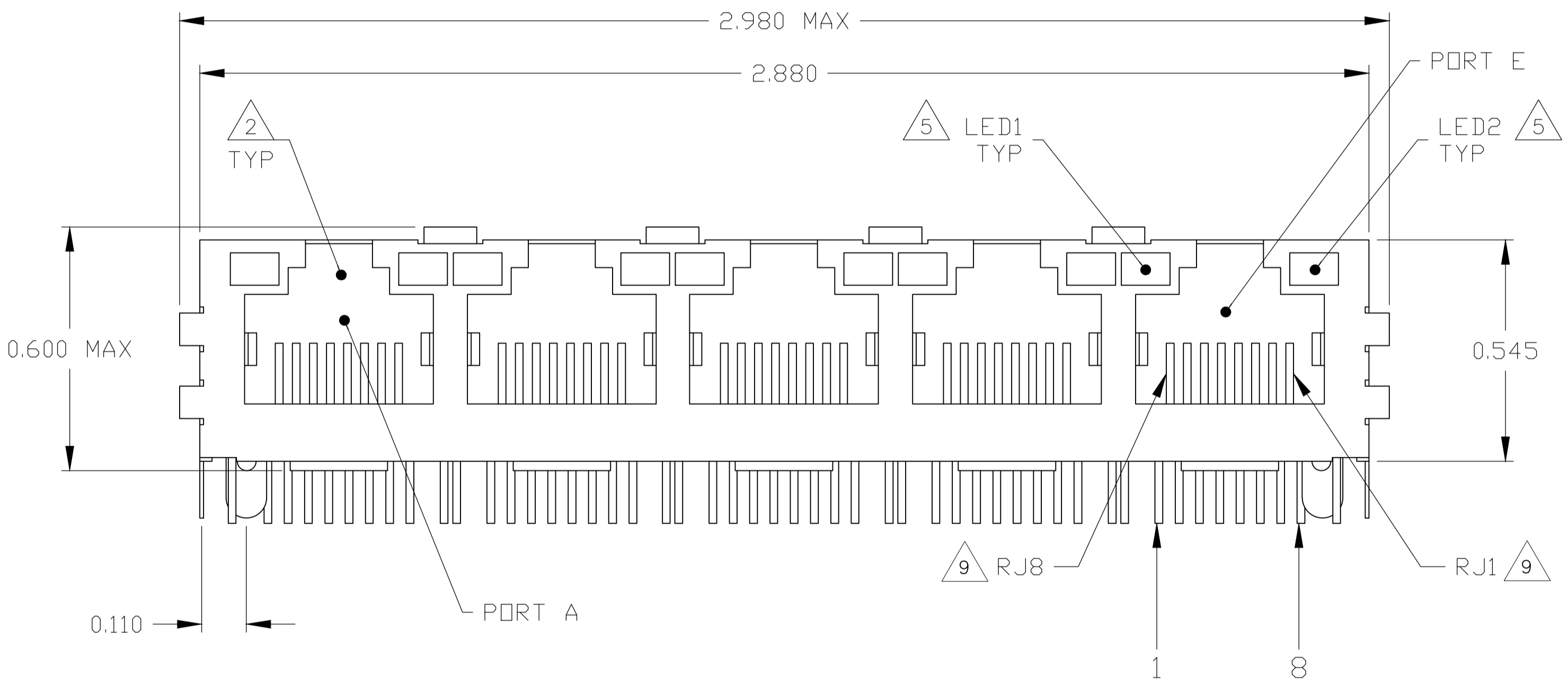
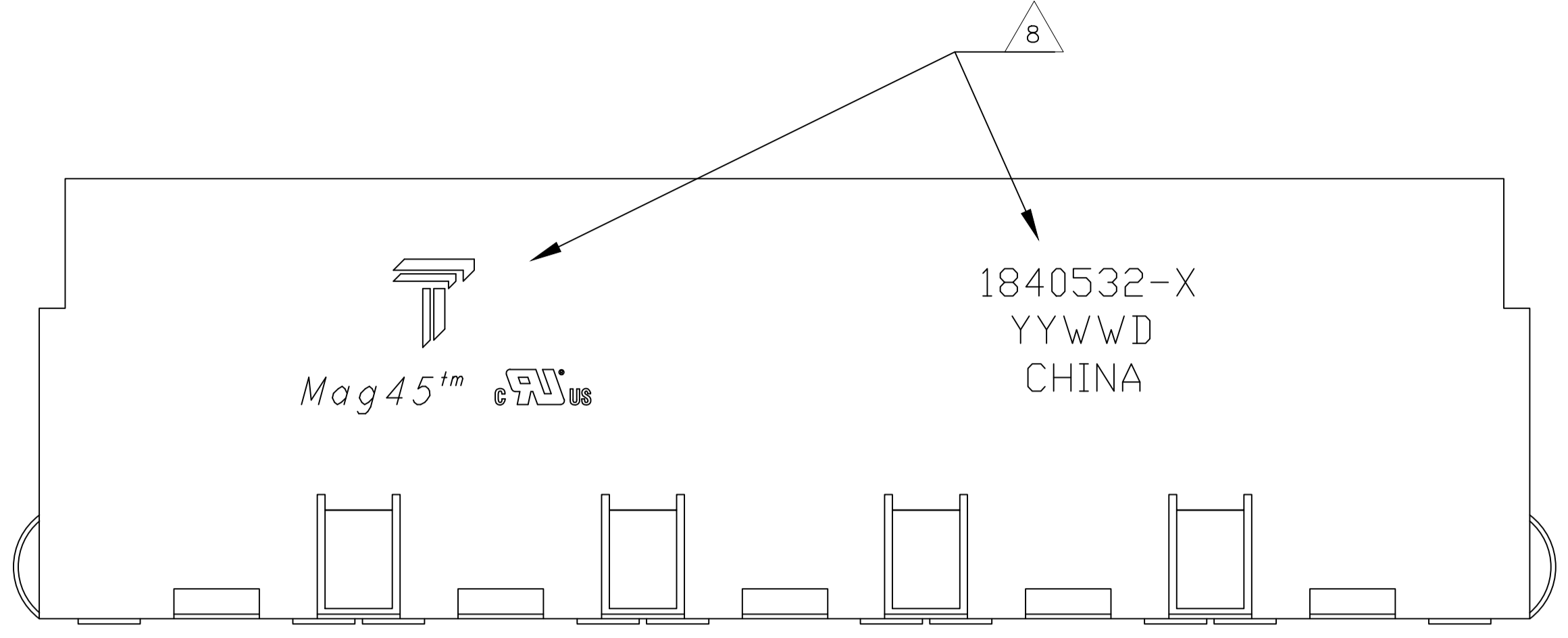


REVISIONS					
#	LTR	DESCRIPTION	DATE	DMN	APRO
E		LOGO CHANGE	07APR2013	PP	KZ

MECHANICAL:



- △ MATERIALS:  
 -HOUSING - THERMOPLASTIC PET POLYESTER FLAMMABILITY RATING UL 94V-0.  
 -SHIELD - 0.010" THICK, C26800 BRASS PREPLATED WITH 30μINCH MIN SEMI-BRIGHT NICKEL.  
 -SOLDER TABS POST DIPPED WITH 100μINCH MIN SAC SOLDER.  
 -MOD JACK CONTACTS - 0.0157" X 0.018" PHOSPHOR BRONZE, 50μINCH MIN OVERALL NICKEL UNDERPLATE WITH SELECT 50μINCH MIN HARD GOLD FINISH PLATE. SOLDER TAILS WITH 100μINCH MIN MATTE TIN AND/OR SAC SOLDER DIP.  
 -LIGHT EMITTING DIODE(LED) - DIFFUSED EPOXY LENS, 0.020" X 0.020" CARBON STEEL WIREFRAME LEADS PRE-PLATED WITH 80μINCH SILVER OVER 40μINCH NICKEL UNDERPLATE OVER 40μINCH COPPER UNDERPLATE. POST-PLATED WITH 100μINCH MIN MATTE TIN AND/OR SAC SOLDER DIP OR PURE TIN SOLDER DIP.

- △ RJ45 JACK CAVITY CONFORMS TO FCC RULES AND REGULATIONS PART 68, SUB PART F.  
 △ MAGNETICS  
 -APPLICATION: 10/100 BASE-T  
 -IMPEDANCE: 100 OHMS  
 -TURNS RATIO (CHIP: CABLE): TX = 1:1, RX = 1:1  
 -OPEN CIRCUIT INDUCTANCE (OCL): 350μH MIN @100kHz, 0.1VRMS, 8mADC BIAS FROM 0°C TO 70°C, TX AND RX  
 -PERFORMANCE @ 25°C:  
 INSERTION LOSS (IL): 1.1dB MAX FROM 0.5MHz TO 100MHz  
 RETURN LOSS (RL): 18dB MIN FROM 0.5MHz TO 30MHz  
 18-20LOG(f/30)dB MIN FROM 30.1MHz TO 60MHz  
 12dB MIN FROM 60.1MHz TO 80MHz  
 CROSSTALK ATTENUATION: 35dB MIN FROM 0.5MHz TO 40MHz  
 33-20xLOG(f/50)dB MIN FROM 40.1MHz TO 100MHz  
 COMMON MODE REJECTION RATIO (CMRR): 30dB MIN FROM 0.5MHz TO 100MHz  
 -ISOLATION VOLTAGE: COMPLIES WITH IEEE802.3 2002, PARA 23.5.1.1, ITEM b.

4. OPERATING TEMPERATURE: FROM 0°C TO +70°C.  
 △ THE 250 OHM LED RESISTORS ARE OPTIONAL, PLEASE SEE CHART FOR PRESENCE OR ABSENCE OF LED RESISTORS. IF THE LED WITHOUT 250 OHM RESISTORS, LED IS DRIVEN WITH CONSTANT CURRENT AT APPROX 20mA.  
 LED COLOR: DOMINANT WAVELENGTH (λD): GREEN 568 nm TYP. @ IF=20mA  
 FORWARD VOLTAGE (VF): GREEN 2.2V TYP. @ IF=20mA  
 DOMINANT WAVELENGTH (λD): YELLOW 588 nm TYP. @ IF=20mA  
 FORWARD VOLTAGE (VF): YELLOW 2.1V TYP. @ IF=20mA.  
 DOMINANT WAVELENGTH (λD): ORANGE 605 nm TYP. @ IF=20mA  
 FORWARD VOLTAGE (VF): ORANGE 2.05V TYP. @ IF=20mA.  
 IF THE LED WITH 250 OHM RESISTORS, LED IS DRIVEN WITH 5V VOLTAGE AND THE MAX OPERATING CURRENT IS 20mA.  
 LED COLOR : DOMINANT WAVELENGTH (λD): GREEN 568 nm TYP. @ VF=5V  
 FORWARD CURRENT (IF): GREEN 12 mA TYP. @ VF=5V  
 DOMINANT WAVELENGTH (λD): YELLOW 588 nm TYP. @ VF=5V  
 FORWARD CURRENT (IF): YELLOW 13 mA TYP. @ VF=5V

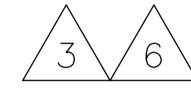
- △ INDICATED MAGNETIC CONNECTIONS ARE SYMMETRICAL AND SUPPORT AUTO-MDIX.  
 7. THESE PARTS ARE RECOMMENDED FOR WAVE SOLDERING PROCESS, PEAK WAVE SOLDERING TEMPERATURE IS 265°C MAX, 10 SECONDS MAX.  
 △ TRP CONNECTOR LOGO, PART NUMBER, DATE CODE, COUNTRY OF ORIGIN AND AGENCY APPROVAL MARKING IN APPROXIMATE LOCATION SHOWN.  
 △ CONTACT LUBRICANT APPLIED IN MATING AREA.

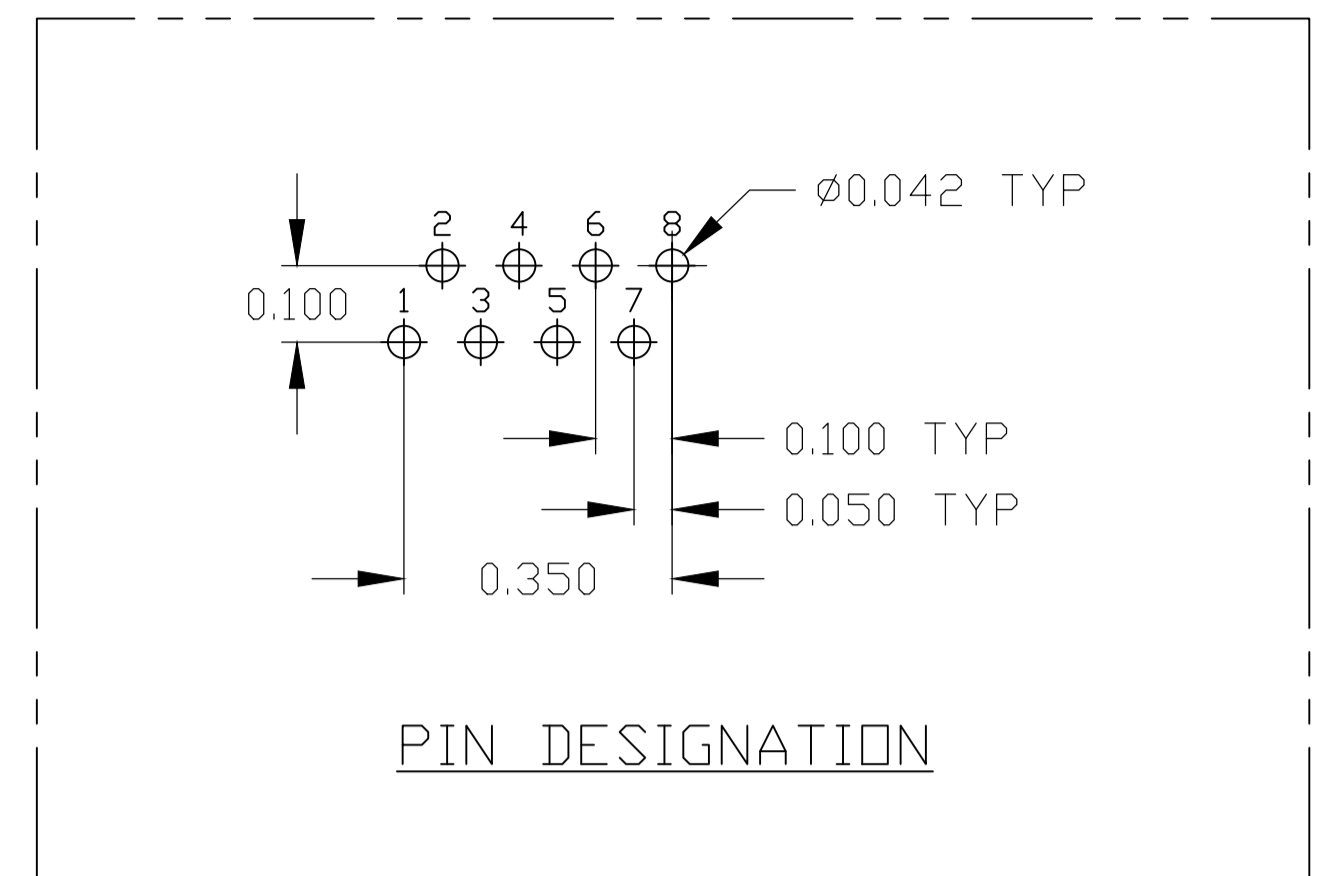
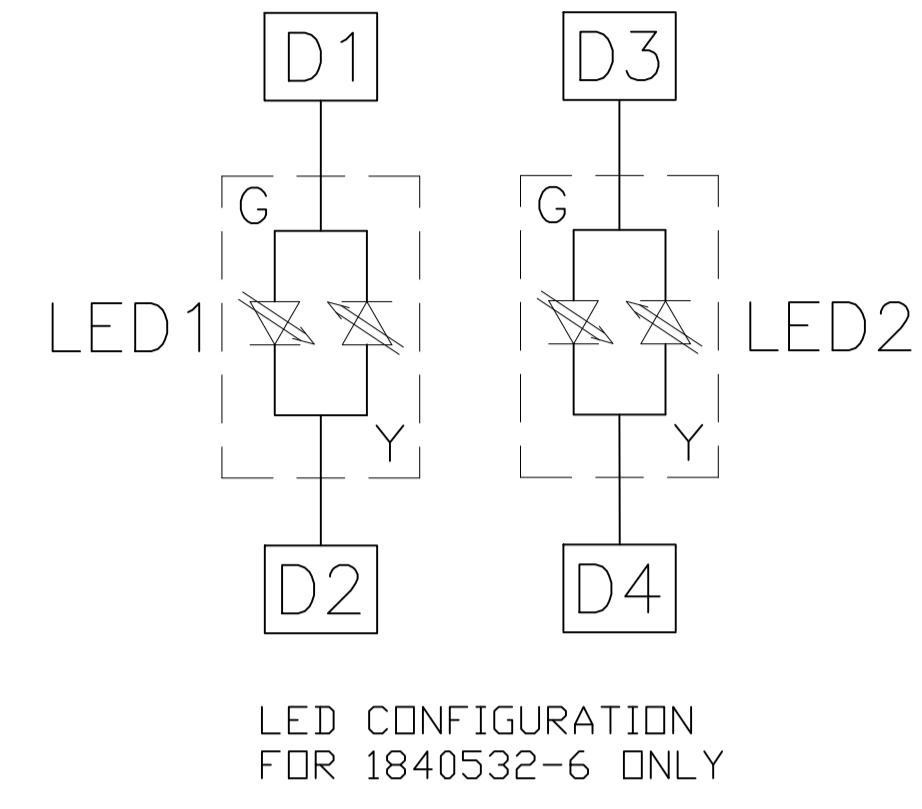
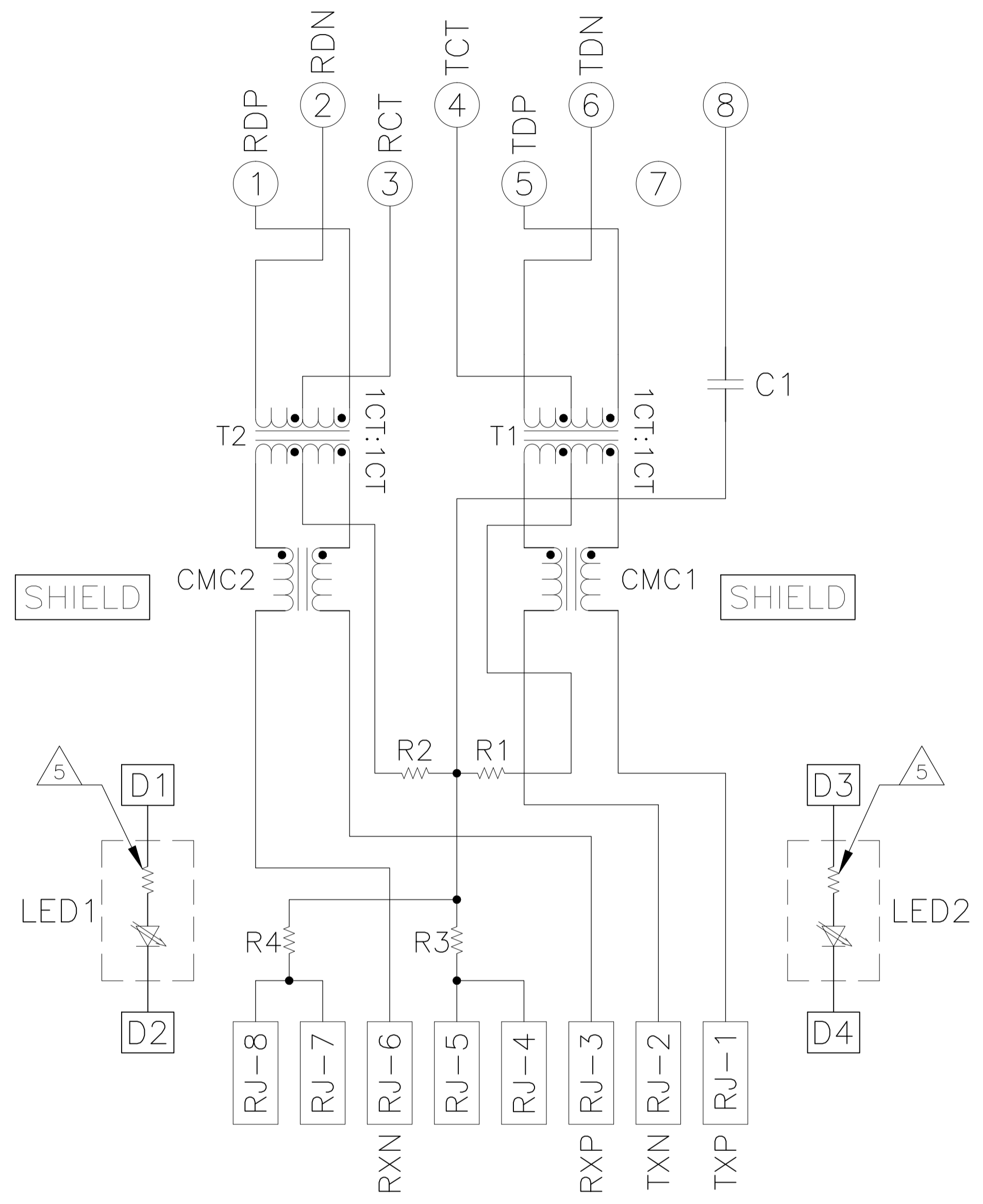
0.145±0.010	GREEN	YES	GREEN	YES	6-1840532-1
0.110±0.010	GREEN	YES	YELLOW	YES	2-1840532-1
0.145±0.010	YELLOW	NO	YELLOW	NO	1-1840532-0
0.145±0.010	YELLOW	NO	GREEN	NO	1840532-9
0.145±0.010	GREEN	NO	YELLOW	NO	1840532-8
0.145±0.010	GREEN	NO	GREEN	NO	1840532-7
0.145±0.010	GREEN/YELLOW	NO	GREEN/YELLOW	NO	1840532-6
0.145±0.010	GREEN/YELLOW	NO	GREEN	NO	1840532-5
0.145±0.010	GREEN/YELLOW	NO	GREEN	YES	1840532-4
0.145±0.010	YELLOW	YES	YELLOW	YES	1840532-3
0.145±0.010	YELLOW	YES	GREEN	YES	1840532-2
0.145±0.010	GREEN	YES	YELLOW	YES	1840532-1
DIM "A"	LED1 △	250 OHMS RESISTOR △	LED2 △	250 OHMS RESISTOR △	PART NUMBER

THIS DRAWING IS A CONTROLLED DOCUMENT. DMN: CLOUD ZENG SMAR2007  
 CHK: DENNIS CHEN SMAR2007  
 APRO: TEDDY XIONG SMAR2007

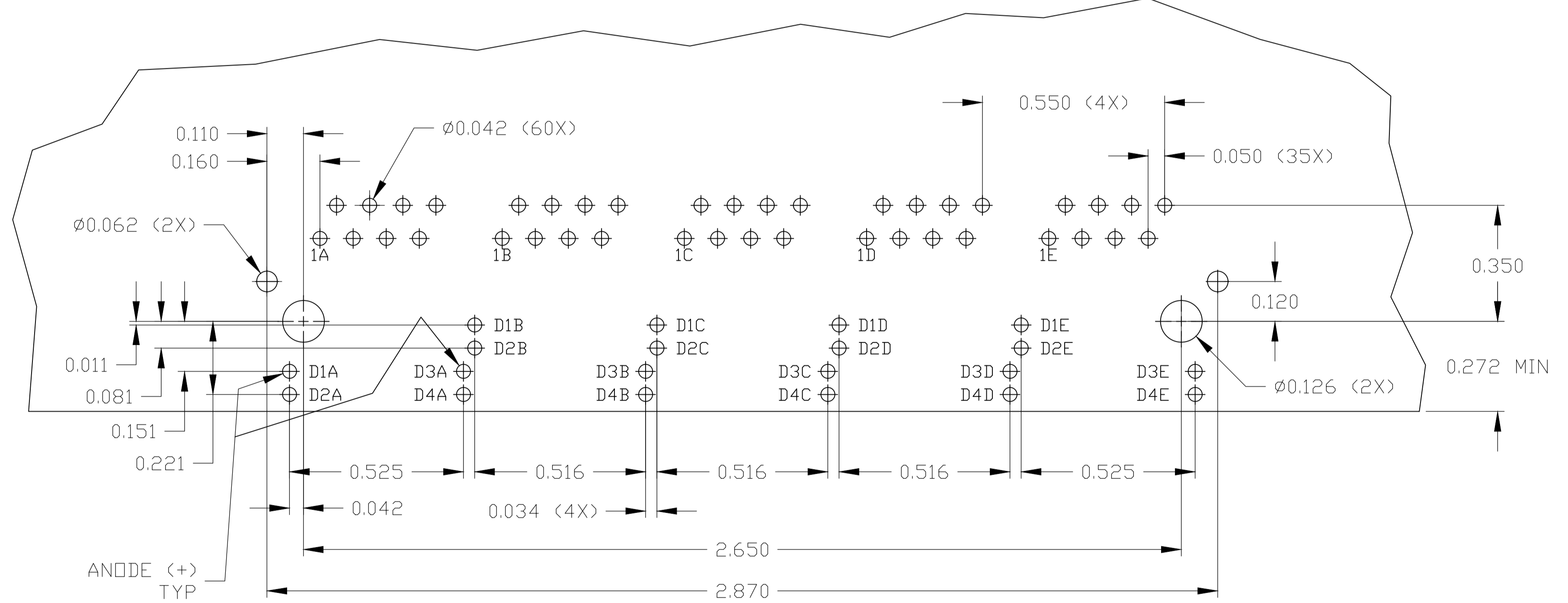
DIMENSIONS: INCHES	TOLERANCES UNLESS OTHERWISE SPECIFIED:	PRODUCT SPEC	NAME
0 PLC ± .	1 PLC ± .	108-2100	1X5 MAG45(TM) MODULAR JACK
2 PLC ± .010	3 PLC ± .005	APPLICATION SPEC	726 10/100 Base-T CIRCUIT, SHIELDED, WITH LEDS, WITH LUBE
4 PLC ± .	ANGLES ± .	WEIGHT	SIZE: A1
MATERIAL △	FINISH △	CUSTOMER DRAWING	CAGE CODE: 00779

TRP connector Dongguan China  
 DRAWING NO: 1840532  
 SCALE: 4:1 SHEET 1 OF 2 REV E

726 10/100 BASE-T CIRCUIT 



R1-R4=75 OHMS, 1/16W, 5% RESISTORS.  
C1=1000 pF, 2kV CAPACITOR.



SUGGESTED PCB LAYOUT  
(Component Side)

THIS DRAWING IS A CONTROLLED DOCUMENT.		DWN: CLOUD ZENG 5MAR2007		TRP connector Dongguan China	
CHK: DENNIS CHEN 5MAR2007		APRO: TEDDY XIONG 5MAR2007		NAME: 1X5 MAG45(TM) MODULAR JACK	
DIMENSIONS: INCHES		TOLERANCES UNLESS OTHERWISE SPECIFIED:		PRODUCT SPEC: 108-2100	
0 PLC ± -		1 PLC ± .010		APPLICATION SPEC: WITH LEADS WITH LUBE	
2 PLC ± .005		3 PLC ± .005		SIZE: A1	
4 PLC ± -		ANGLES ± -		CAGE CODE: 00779	
MATERIAL: -		FINISH: -		DRAWING NO: 1840532	
		WEIGHT: -		SCALE: 4:1	
		CUSTOMER DRAWING		SHEET 2 OF 2	
				REV E	