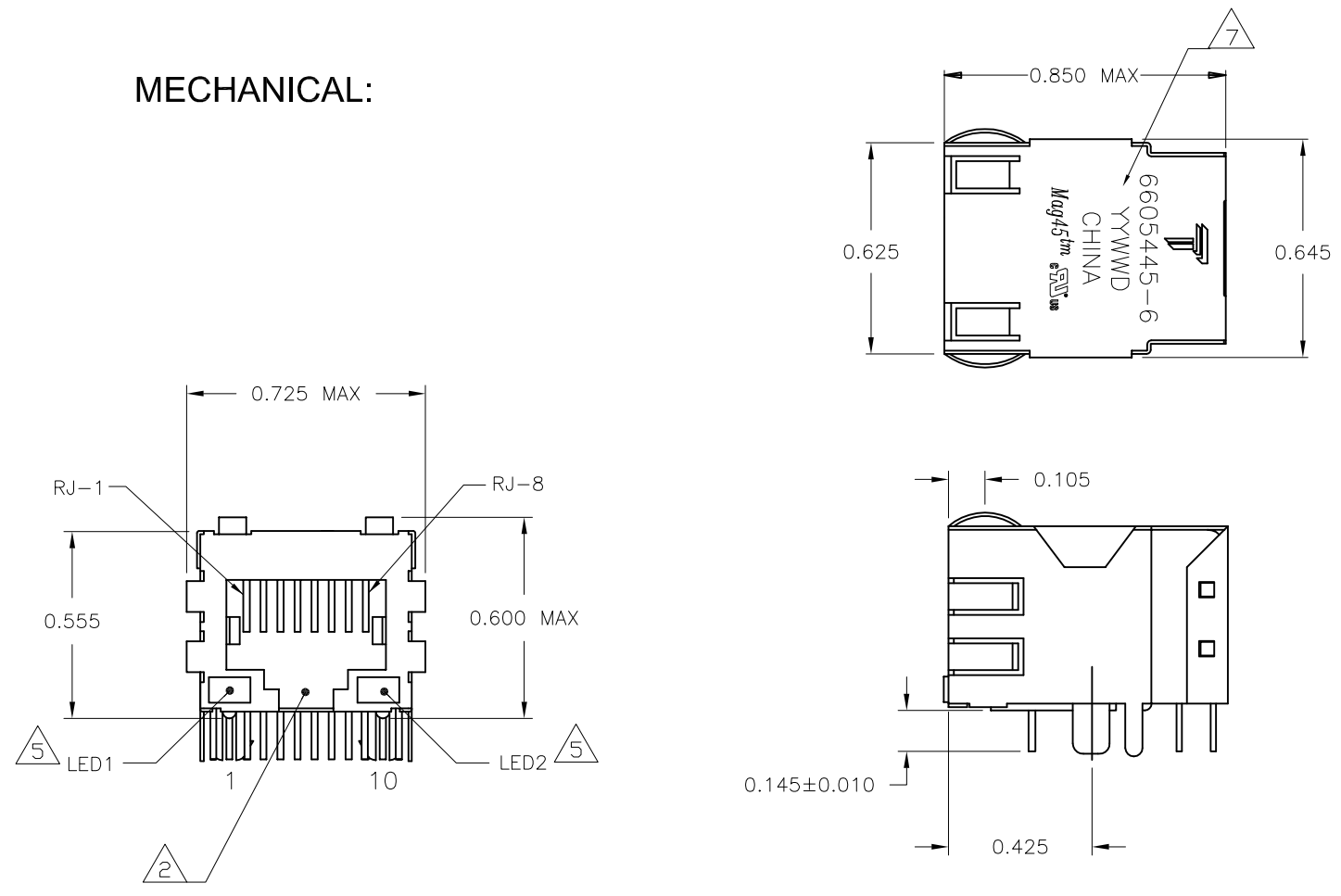
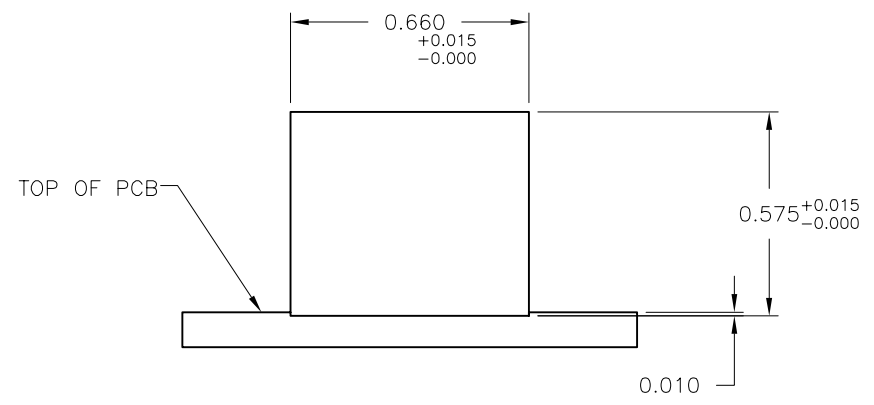


REVISIONS				
P	LTR	DESCRIPTION	DATE	APVD
F		LOGO CHANGE	23APR2013	KZ

MECHANICAL:



- ① HOUSING - THERMOPLASTIC PET POLYESTER FLAMMABILITY RATING UL 94V-0. SHIELD - 0.010" THICK, C26800 BRASS PREPLATED WITH 30μINCH MIN SEMI-BRIGHT NICKEL. SOLDER TABS POST DIPPED WITH 100μINCH MIN SAC SOLDER. MOD JACK CONTACTS - 0.0157" X 0.018" PHOSPHOR BRONZE, 50μINCH MIN OVERALL NICKEL UNDERPLATE WITH SELECT 50μINCH MIN HARD GOLD FINISH PLATE. SOLDER TAILS WITH 100μINCH MIN MATTE TIN AND/OR SAC SOLDER DIP. LIGHT EMITTING DIODE(LED) - DIFFUSED EPOXY LENS, 0.020" X 0.020" CARBON STEEL WIREFRAME LEADS PRE-PLATED WITH 80μINCH SILVER OVER 40μINCH NICKEL UNDERPLATE OVER 40μINCH COPPER UNDERPLATE. POST-PLATED WITH 100μIN MIN MATTE TIN AND/OR SAC SOLDER DIP OR PURE TIN SOLDER DIP.
- ② RJ45 JACK CAVITY CONFORMS TO FCC RULES AND REGULATIONS PART 68, SUB PART F.
- ③ MAGNETICS
 - IMPEDANCE: 100 OHMS
 - TURNS RATIO (CHIP:CABLE): 1:1 ALL FOUR PAIRS
 - OPEN CIRCUIT INDUCTANCE (OCL): 350μH MIN @100kHz, 0.1VRMS, 8mADC BIAS FROM 0°C TO 70°C, ALL FOUR PAIRS
 - ALL FOUR PAIRS BI-DIRECTIONAL
 - PERFORMANCE @ 25°C:
 - INSERTION LOSS (IL): 1.1dB MAX FROM 0.5MHz TO 100MHz
 - RETURN LOSS (RL): 18dB MIN FROM 0.5MHz TO 40MHz
 - 12-20LOG(f/80)dB MIN FROM 40.1MHz TO 100MHz
 - CROSSTALK ATTENUATION: 35dB MIN FROM 0.5MHz TO 40MHz
 - 33-20xLOG(f/50)dB MIN FROM 40.1MHz TO 100MHz
 - COMMON MODE REJECTION RATIO (CMRR): 30dB MIN FROM 0.5MHz TO 100MHz
 - ISOLATION VOLTAGE:2250VDC (MAX) FOR 60 SECONDS WITH A RISE TIME OF 500V/SEC.
- 4. OPERATING TEMPERATURE: FROM 0°C TO +70°C.
- ⑤ THE LED WITH 250 OHM RESISTORS,LED IS DRIVEN WITH 5V VOLTAGE AND THE MAX OPERATING CURRENT IS 20mA.LED COLOR :
 - DOMINANT WAVELENGTH (λD): GREEN 568 nm TYP. At VF=5V
 - FORWARD CURRENT (IF): GREEN 12 mA TYP. at VF=5V
 - DOMINANT WAVELENGTH (λD): YELLOW 588 nm TYP. At VF=5V
 - FORWARD CURRENT (IF): YELLOW 13 mA TYP. at VF=5V
- ⑥ INDICATED MAGNETIC CONNECTIONS ARE SYMMETRIC TO SUPPORT AUTO-MDI/MDIX.
- ⑦ TRP CONNECTOR LOGO, PART NUMBER, DATE CODE, COUNTRY OF ORIGIN AND AGENCY APPROVAL MARKING IN APPROXIMATE LOCATION SHOWN.
- 8. THE PART IS RECOMMENDED FOR WAVE SOLDERING PROCESS,PEAK WAVE SOLDERING TEMPEAURE IS 265°C MAX,10 SECONDS MAX.



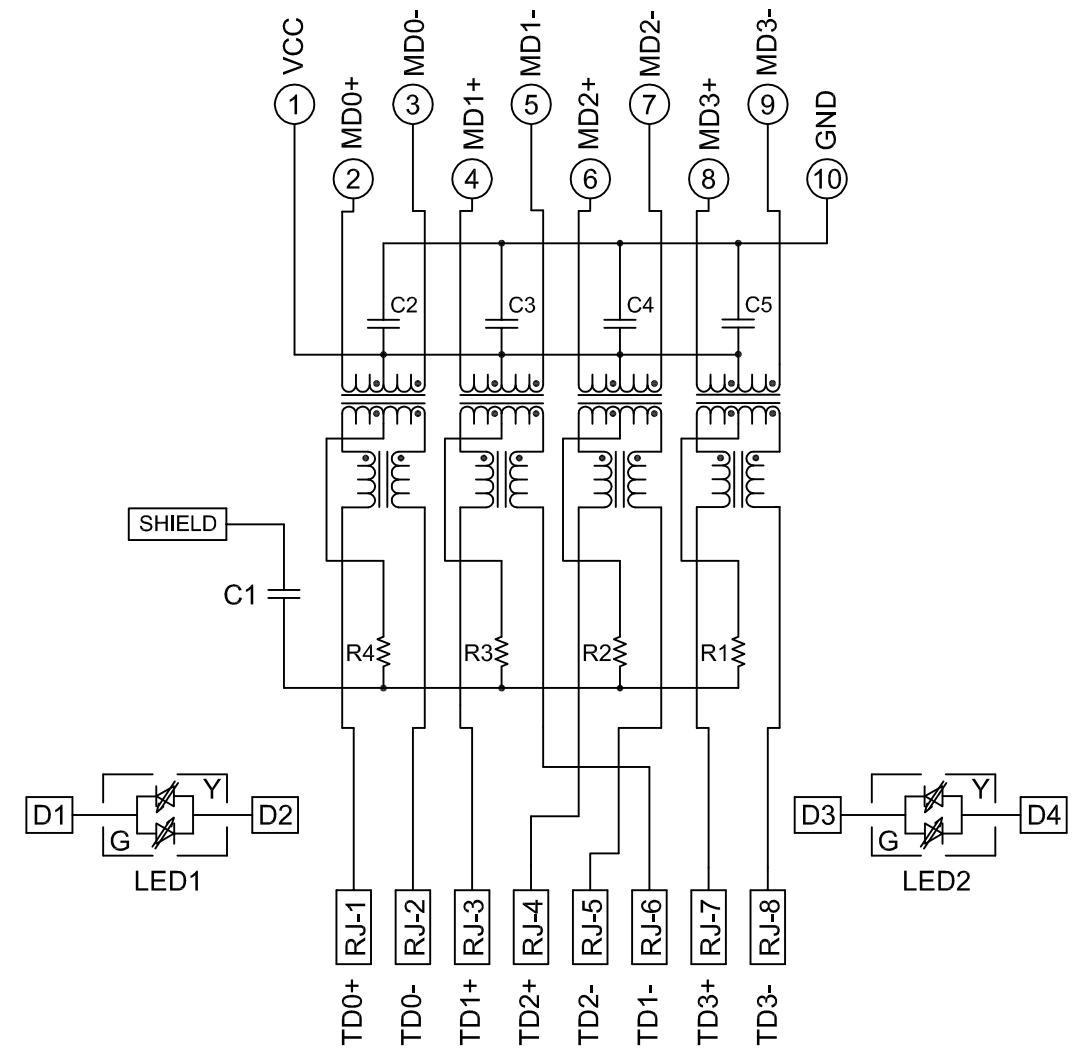
Suggested Panel Cutout

YELLOW	GREEN	6605445-9
GREEN	YELLOW	6605445-8
GREEN/YELLOW	GREEN/YELLOW	6605445-6
⑤ LED1	⑤ LED2	PART NUMBER

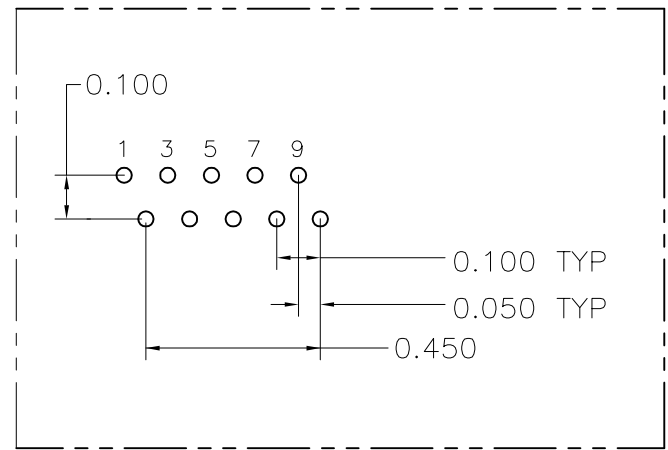
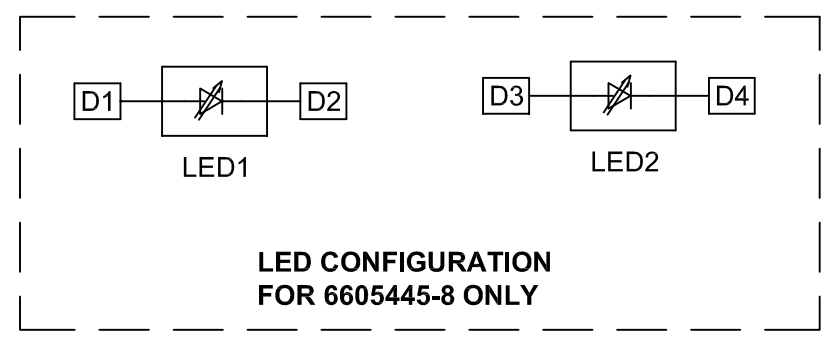
THIS DRAWING IS A CONTROLLED DOCUMENT.		DWN A. FERNANDEZ-DOCK5 04MAR2005	TRP connector Dongguan China	
DIMENSIONS: INCHES		CHK D. FAROLE 04MAR2005		
TOLERANCES UNLESS OTHERWISE SPECIFIED:		APVD D. FAROLE 04MAR2005	NAME 1X1 MAG45(TM), 4G4P1 SCHEMATIC, (10 PIN), 06 SERIES GIGABIT CIRCUIT, SHIELDED, WITH LEDS	
0 PLC ± -	1 PLC ± -	PRODUCT SPEC 108-2100	SIZE A2	CAGE CODE C-6605445
2 PLC ± .010	3 PLC ± .005	APPLICATION SPEC	RESTRICTED TO	
4 PLC ± -	ANGLES ± -	MATERIAL ①	WEIGHT -	SCALE NTS
FINISH ①		CUSTOMER DRAWING		SHEET 1 OF 2 REV F

REVISIONS				
P	LTR	DESCRIPTION	DATE	APVD
-	-		-	-

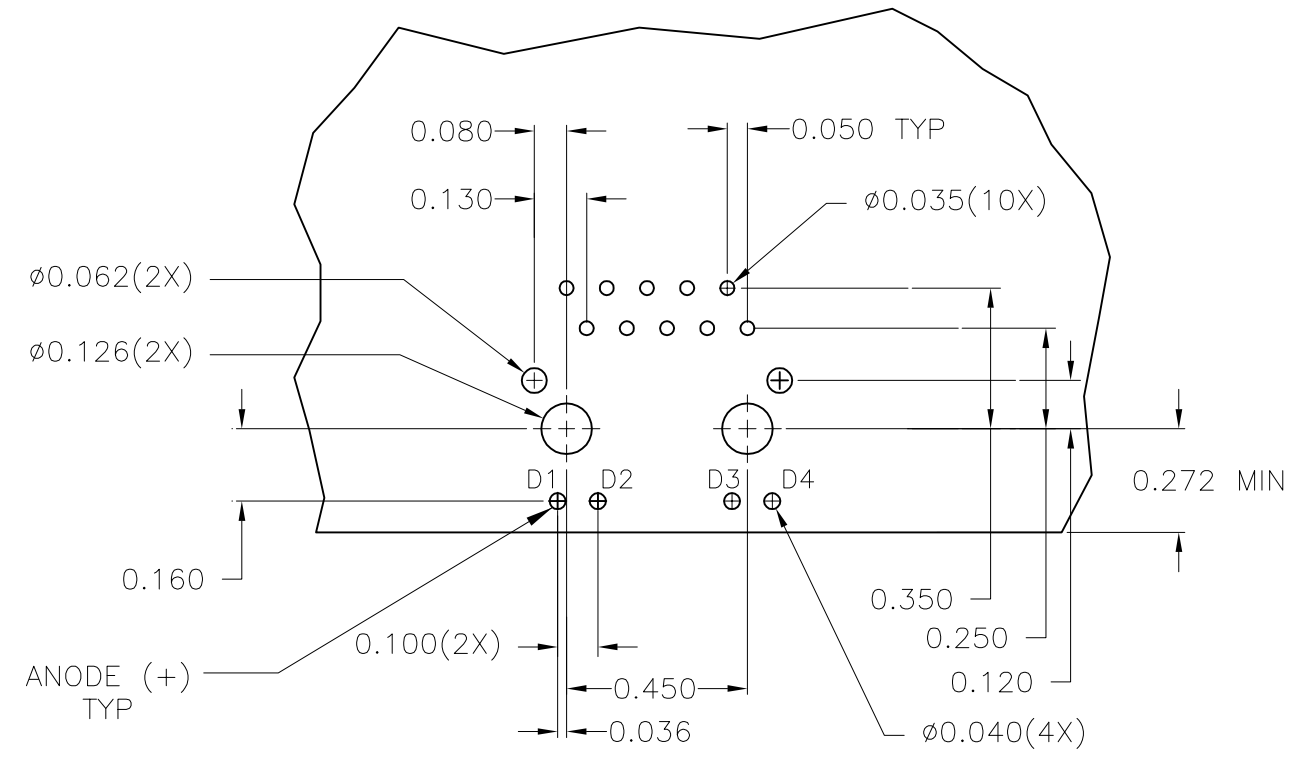
4G06P1 Series GIGABIT Magnetic Circuit




C1 = 1000 pF, 2kV DECOUPLING CAPACITOR
 R1-R4 = 75 OHMS, 1/16W RESISTORS
 C2-C5 = 0.1uF, 50V, X7R CAPACITORS



Pin Designations



Suggested PCB Layout
(Component Side)

THIS DRAWING IS A CONTROLLED DOCUMENT.		DWN A. FERNANDEZ-DOCK5 04MAR2005	 TRP connector Dongguan China	
DIMENSIONS: INCHES		CHK D. FAROLE 04MAR2005		
TOLERANCES UNLESS OTHERWISE SPECIFIED:		APVD D. FAROLE 04MAR2005	NAME 1X1 MAG45(TM), 4G4P1 SCHEMATIC, (10 PIN), 06 SERIES GIGABIT CIRCUIT, SHIELDED, WITH LEADS	
0 PLC ± - 1 PLC ± - 2 PLC ± .010 3 PLC ± .005 4 PLC ± - ANGLES ± - FINISH -		PRODUCT SPEC 108-2100	SIZE A2	CAGE CODE C=6605445
MATERIAL		APPLICATION SPEC	DRAWING NO	RESTRICTED TO
		WEIGHT	SCALE NTS	SHEET 2 OF 2
		CUSTOMER DRAWING	REV F	