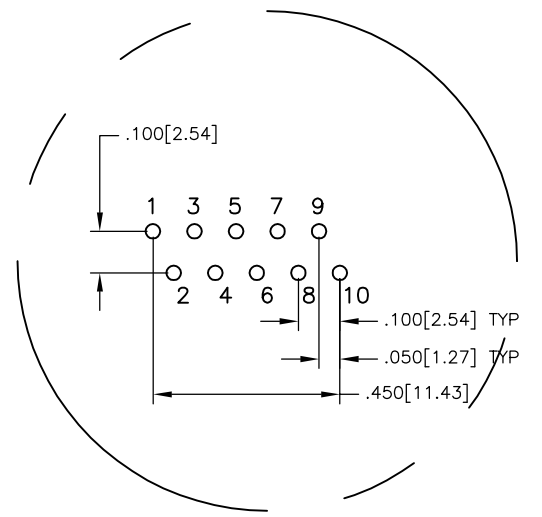
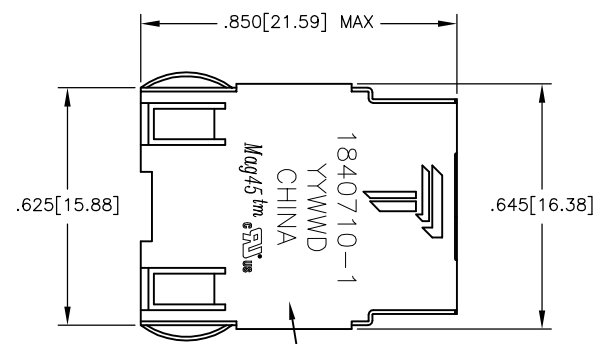


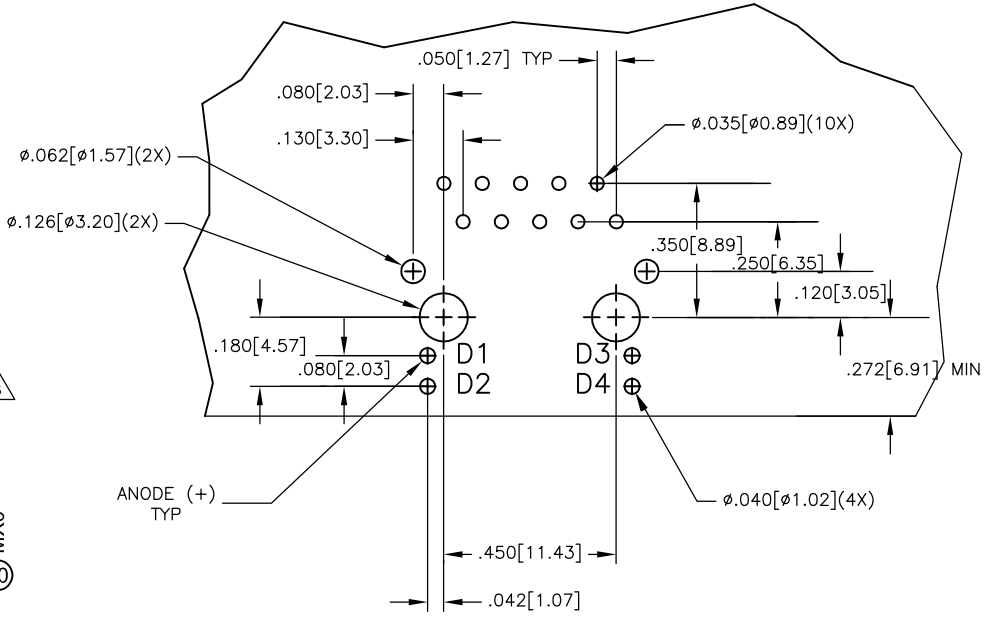
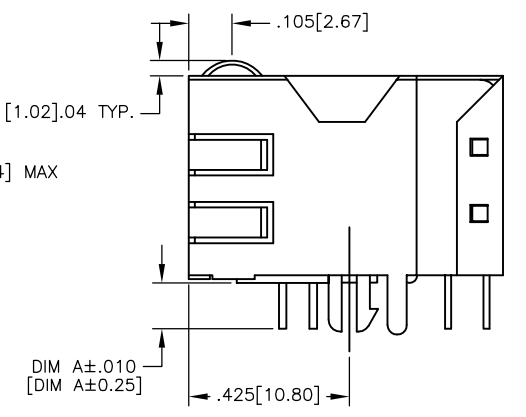
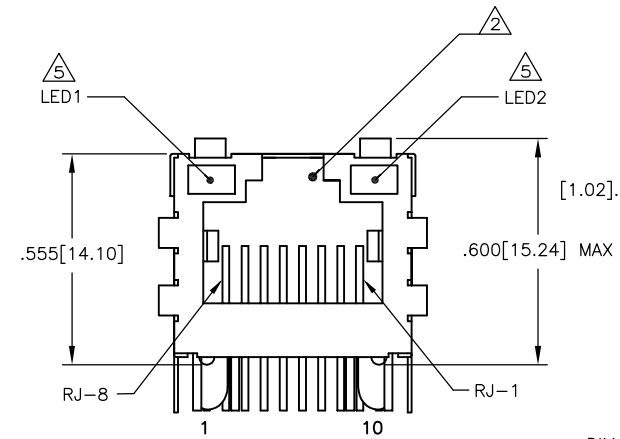
REVISIONS				
#	DATE	DESCRIPTION	BY	APP'D
K	23APR2013	LOGO CHANGE	JC	KZ

**MECHANICAL:**

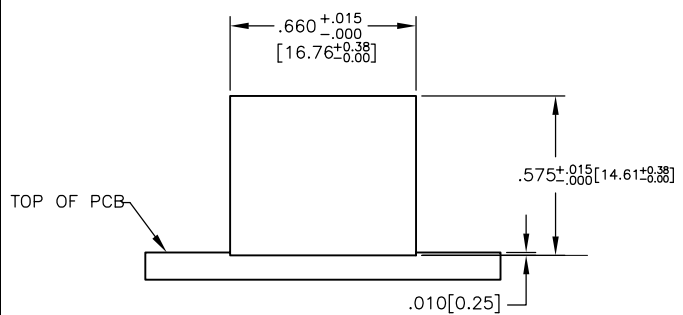


**Pin Designations**

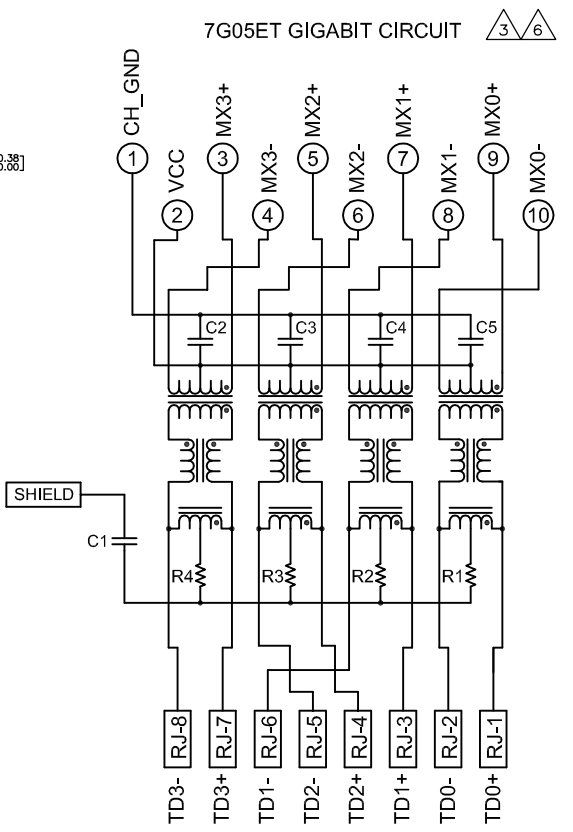
- △ MATERIALS:  
 HOUSING - THERMOPLASTIC PET (OR HIGH TEMPERATURE NYLON) POLYESTER FLAMMABILITY RATING UL 94V-0.  
 SHIELD - .010" THICK, C26800 BRASS PREPLATED WITH 30µinch SEMI-BRIGHT NICKEL; SOLDER TABS POST-DIPPED WITH 100µinch MIN SAC SOLDER.  
 MOD JACK CONTACTS - .0157" x .018" THICK, PHOSPHOR BRONZE, 50µinch MIN OVERALL NICKEL UNDERPLATE, WITH SELECT 50µinch MIN HARD GOLD FINISH PLATE. SOLDER TAILS WITH 100µinch MIN MATTE TIN AND/OR SAC SOLDER DIP.  
 LIGHT EMITTING DIODE(LED) - DIFFUSED EPOXY LENS, .020" x .020" CARBON STEEL WIREFRAME LEADS PREPLATED WITH 80µinch SILVER OVER 40µinch NICKEL UNDERPLATE OVER 40µinch COPPER UNDERPLATE, POST-PLATED WITH 100µinch MIN MATTE TIN AND/OR SAC SOLDER DIP OR PURE TIN SOLDER DIP.
- △ RJ45 JACK CAVITY CONFORMS TO FCC RULES AND REGULATIONS PART 68, SUB PART F.
- △ MAGNETICS  
 -APPLICATION: 10/100/1000 BASE-T, EXTENDED TEMPERATURE  
 -IMPEDANCE: 100 OHMS  
 -TURNS RATIO (CHIP-CABLE): 1:1 ALL FOUR PAIRS  
 -OPEN CIRCUIT INDUCTANCE (OCL): 350uH MIN @100kHz, 0.1VRMS, 8mA DC BIAS FROM -40°C TO +85°C, ALL FOUR PAIRS  
 -ALL FOUR PAIRS BI-DIRECTIONAL  
 -PERFORMANCE @ 25°C:  
 INSERTION LOSS (IL): 1.1dB MAX FROM 0.5MHz TO 100MHz  
 RETURN LOSS (RL): 18dB MIN FROM 0.5MHz TO 40MHz  
 12-20LOG(f/80)dB MIN FROM 40.1MHz TO 100MHz  
 CROSSTALK ATTENUATION: 35dB MIN FROM 0.5MHz TO 40MHz  
 33-20LOG(f/50)dB MIN FROM 40.1MHz TO 100MHz  
 COMMON MODE REJECTION RATIO (CMRR): 30dB MIN FROM 0.5MHz TO 100MHz  
 -ISOLATION VOLTAGE: COMPLIES WITH IEEE802.3 2002, PARA 40.6.1.1, ITEM b.
- 4. OPERATING TEMPERATURE: -40°C TO +85°C.
- △ LEDS ARE DRIVEN WITH CONSTANT CURRENT AT APPROX 20 mA  
 LED COLOR:  
 DOMINANT WAVELENGTH (AD): GREEN 568 nm TYP @ IF=20 mA  
 FORWARD VOLTAGE (VF): GREEN 2.2V TYP @ IF=20 mA  
 DOMINANT WAVELENGTH ((AD): YELLOW 588 nm TYP @ IF=20 mA  
 FORWARD VOLTAGE (VF): YELLOW 2.1V TYP @ IF=20 mA  
 DOMINANT WAVELENGTH ((AD): ORANGE 605 nm TYP @ IF=20 mA  
 FORWARD VOLTAGE (VF): ORANGE 2.1V TYP @ IF=20 mA
- △ THE MAGNETICS ARE SYMMETRICAL TO SUPPORT AUTO-MDI/MDIX.
- △ TRP CONNECTOR LOGO, PART NUMBER, DATE CODE, COUNTRY OF ORIGIN AND AGENCY APPROVAL MARKING IN APPROXIMATE LOCATION SHOWN.
- 8. THESE PARTS ARE RECOMMENDED FOR WAVE SOLDERING PROCESS, PREHEAT TEMPERATURE IS 120°C TO 160°C, 120 SECONDS TO 180 SECONDS, PEAK WAVE SOLDERING TEMPERATURE IS 260°C MAX, 10 SECONDS MAX.



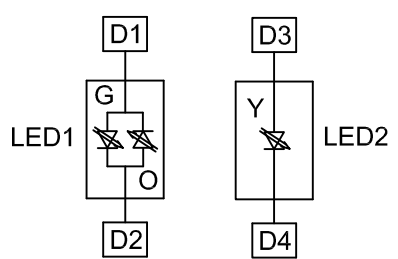
**Suggested PCB Layout (Component Side)**



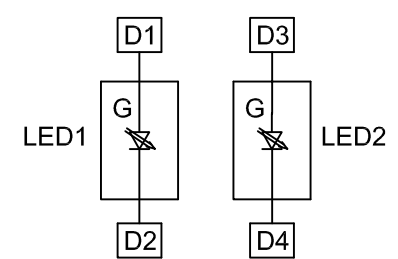
**Suggested Panel Cutout**



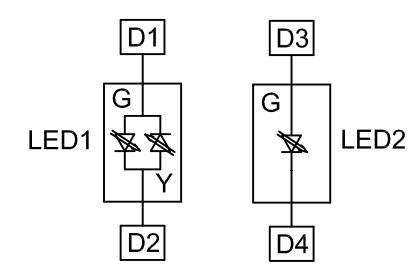
C1 = 1000 pF, 2kV CAPACITOR  
 R1-R4 = 75 OHMS, 1/16 W RESISTORS  
 C2-C5 = 0.1 uF, 50V, X7R CAPACITORS



**LED For 1-1840710-3, 2-1840710-3**



**LED For 1840710-1, 1-1840710-1**



**LED For 1840710-5**

TEMPERATURE	LED1	LED2	PART NUMBER
NORMAL TEMPERATURE	0.090[2.29]	GREEN/ORANGE	YELLOW 2-1840710-3
NORMAL TEMPERATURE	0.145[3.68]	GREEN/ORANGE	YELLOW 1-1840710-3
HIGH TEMPERATURE	0.145[3.68]	GREEN	GREEN 1-1840710-1
NORMAL TEMPERATURE	0.145[3.68]	GREEN/YELLOW	GREEN 1840710-5
NORMAL TEMPERATURE	0.145[3.68]	GREEN	GREEN 1840710-1

THIS DRAWING IS A CONTROLLED DOCUMENT.

DATE: KEITH ZHU 190E005	TRP connector Dongguan China
CHK: MICHAEL ZHANG 190E005	
APP'D: TEDDY XIONG 190E005	
PRODUCT SPEC: 108-2100	NAME: 1X1 MAG45(TM), MODULAR JACK, 7G05ET CIRCUIT, SHIELDED, WITH LEDS
APPLICATION SPEC: -	SIZE: A1
MATERIAL: -	FINISH: -
WEIGHT: -	SCALE: NTS
CUSTOMER DRAWING	SHEET 1 OF 1 REV K