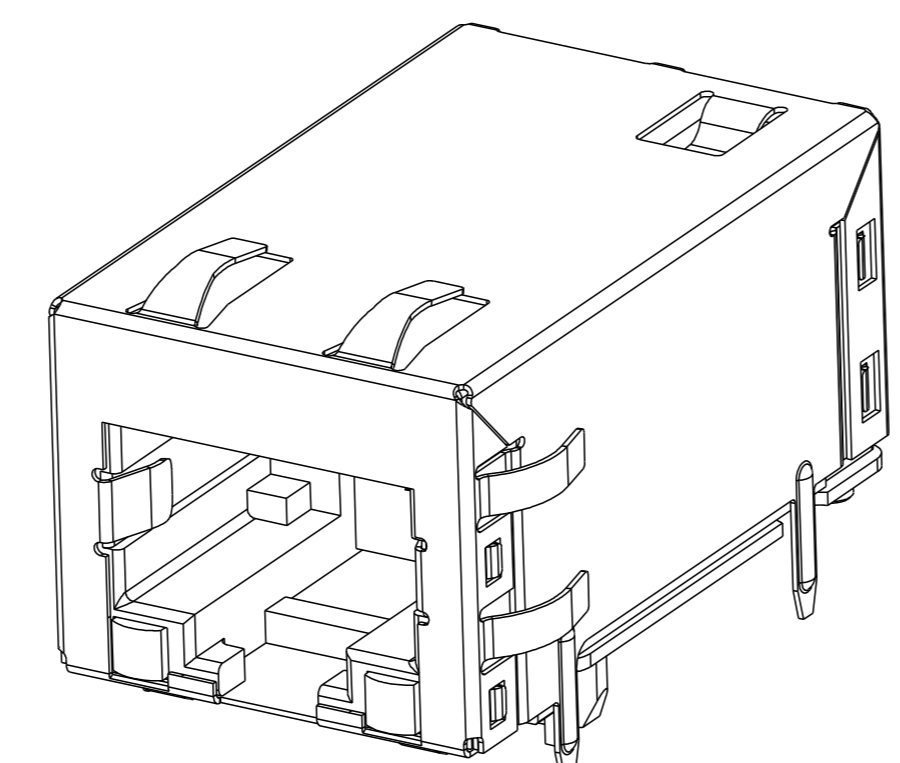
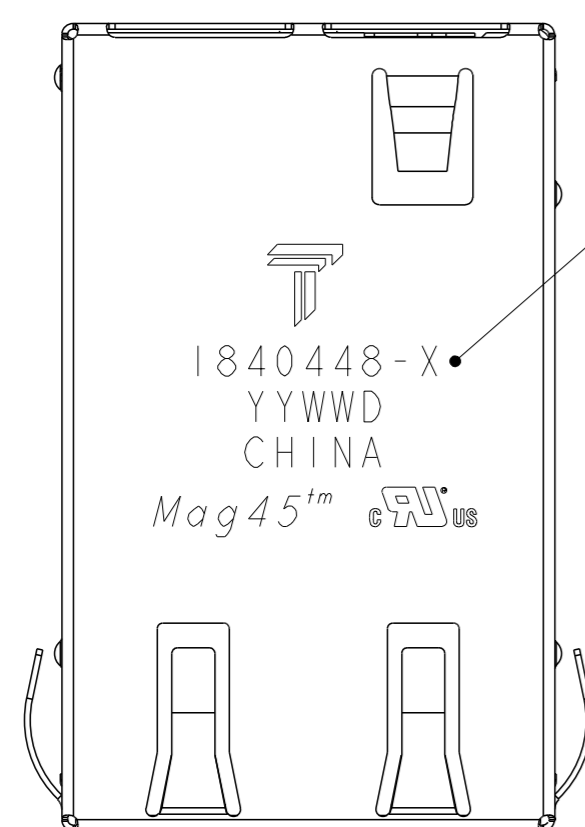


REVISIONS				
P	LTR	DESCRIPTION	DATE	APVD
D		LOGO CHANGE	11APR2013	RL KZ



- MATERIALS:**
 PLASTIC HOUSING: BLACK, THERMOPLASTIC FLAMMABILITY RATING UL 94V-0
 SHIELD: BRASS, PREPLATED WITH 30μ INCH MIN SEMI-BRIGHT NICKEL, POST DIPPED WITH 100μ INCH MIN SAC SOLDER ON SOLDER TAILS
 CONTACTS: PHOSPHOR BRONZE, 50μ INCH MIN NICKEL UNDERPLATE WITH SELECT 50μ INCH MIN GOLD AT MATING INTERFACE AND 100μ INCH MIN MATTE TIN ON SOLDER TAILS.
 LED: DIFFUSED EPOXY LENS, .020" X .020" CARBON STEEL WIREFRAME LEADS PREPLATED WITH 80μ INCH MIN SILVER OVER 40μ INCH MIN NICKEL UNDERPLATE OVER 40μ INCH MIN COPPER UNDERPLATE. POST-PLATED WITH 100μ INCH MIN MATTE TIN AND/OR SAC SOLDER DIP OR PURE TIN SOLDER DIP.

- MAGNETICS:**
 APPLICATION: 10/100/1000 BASE-T
 IMPEDANCE: 100 OHMS
 TURNS RATIO (CHIP:CABLE): 1:1 ALL FOUR PAIRS
 OPEN CIRCUIT INDUCTANCE (OCL): 350μH MIN @100kHz, 0.1VRMS, 8mADC BIAS FROM 0°C TO 70°C, ALL FOUR PAIRS
 ALL FOUR PAIRS BI-DIRECTIONAL PERFORMANCE @ 25°C:
 INSERTION LOSS (IL): 1.1dB MAX FROM 0.5MHz TO 100MHz
 RETURN LOSS (RL): 18dB MIN FROM 0.5MHz TO 40MHz
 12-20LOG(f/80)dB MIN FROM 40.1MHz TO 100MHz
 CROSSTALK ATTENUATION: 35dB MIN FROM 0.5MHz TO 40MHz
 33-20LOG(f/50)dB MIN FROM 40.1MHz TO 100MHz
 COMMON MODE REJECTION RATIO (CMRR): 30dB MIN FROM 0.5MHz TO 100MHz
 ISOLATION VOLTAGE: COMPLIES WITH IEEE802.3 2002, PARA 40.6.1.1, ITEM b.

- OPERATING TEMP:** FROM 0°C TO +70°C

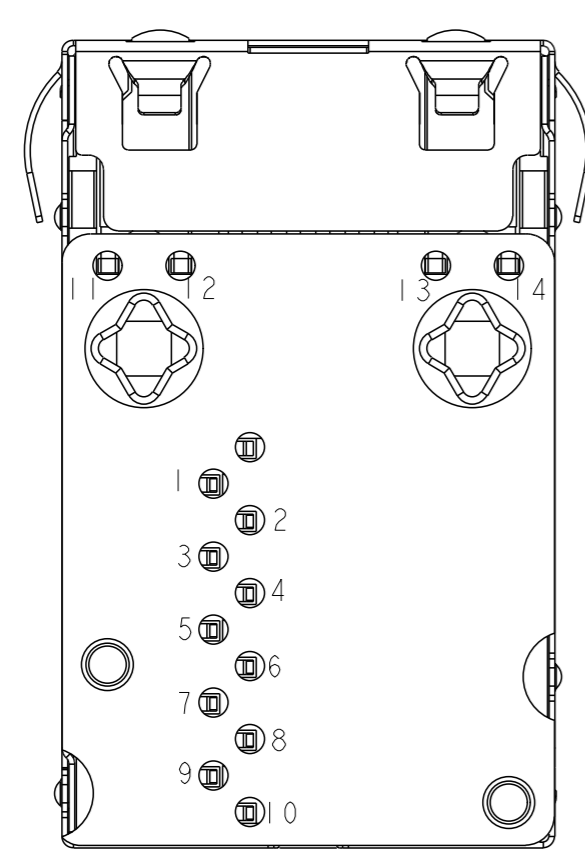
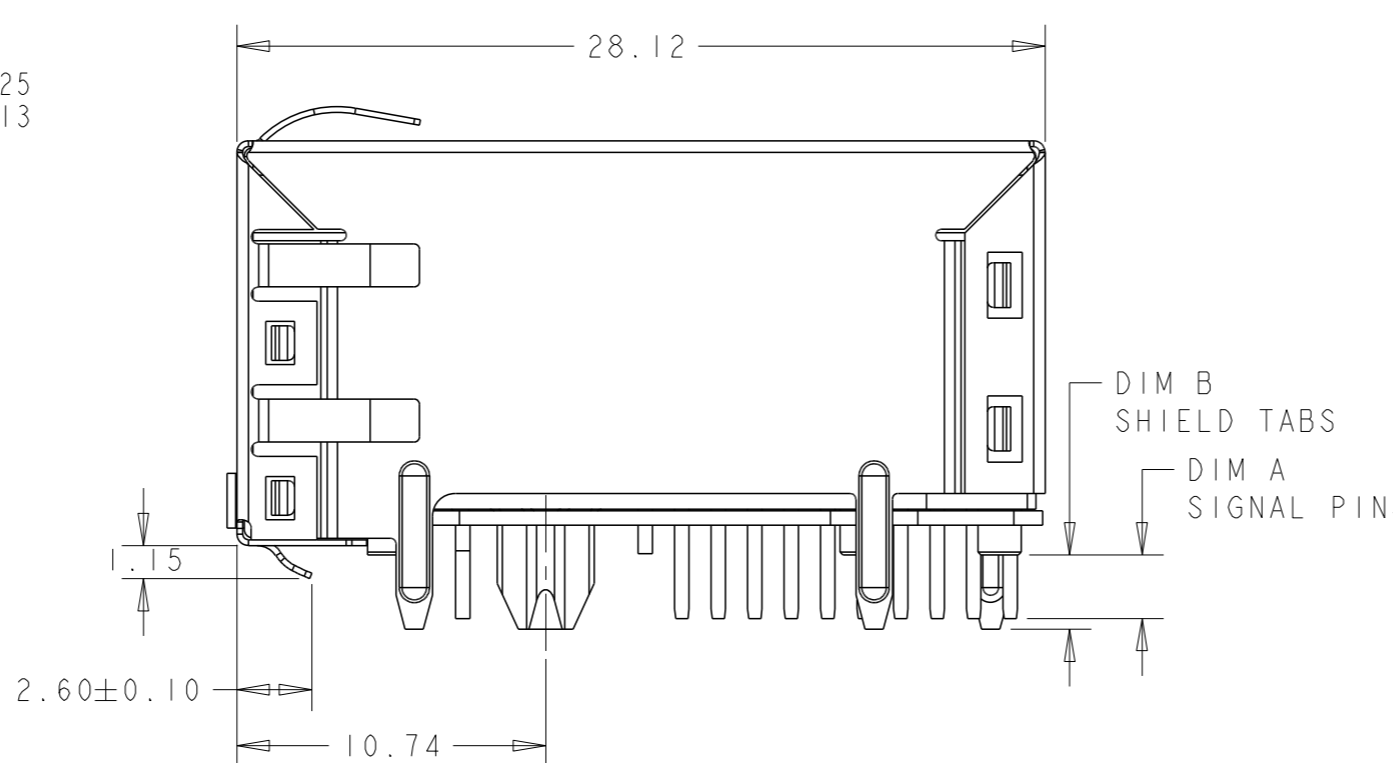
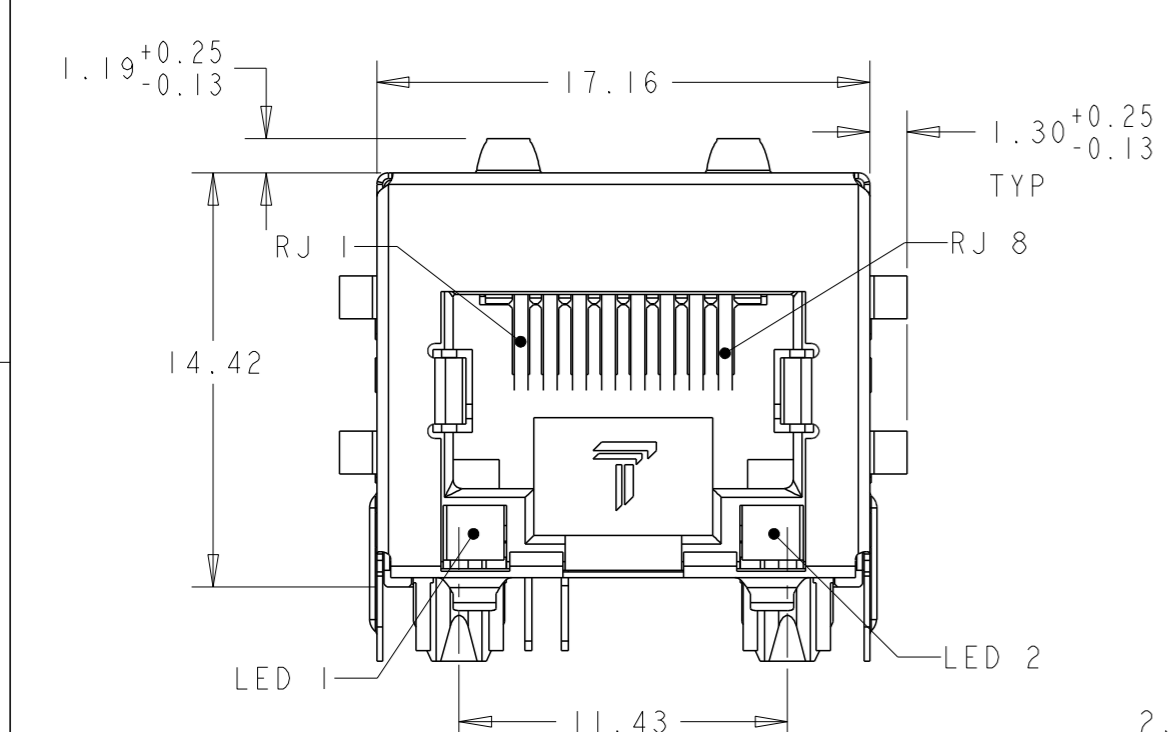
- INDICATED MAGNETIC CONNECTIONS ARE SYMMETRICAL AND SUPPORT AUTO-MDIX.

- TRP CONNECTOR LOGO, PART NUMBER, DATE CODE AND COUNTRY OF ORIGIN LOCATED IN THE APPROXIMATE AREA SHOWN. DATE CODE: YYWWD, WHERE "YY" IS YEAR, "WW" IS WORK WEEK, "D" IS DAY OF WEEK, WITH SUNDAY=1
- RJ45 CAVITY CONFORMS TO FCC RULES AND REGULATION PART 68 SUBPART F
- LEDS ARE DRIVEN WITH CONSTANT CURRENT AT APPROX 20mA
 LED COLOR: DOMINANT WAVELENGTH (λD): GREEN 568 nm TYP. at IF=20mA
 FORWARD VOLTAGE (VF): GREEN 2.2V TYP. at IF=20mA
 DOMINANT WAVELENGTH (λD): YELLOW 588 nm TYP. at IF=20mA
 FORWARD VOLTAGE (VF): YELLOW 2.1V TYP. at IF=20mA
 DOMINANT WAVELENGTH (λD): ORANGE 605 nm TYP. at IF=20mA
 FORWARD VOLTAGE (VF): ORANGE 2.1V TYP. at IF=20mA

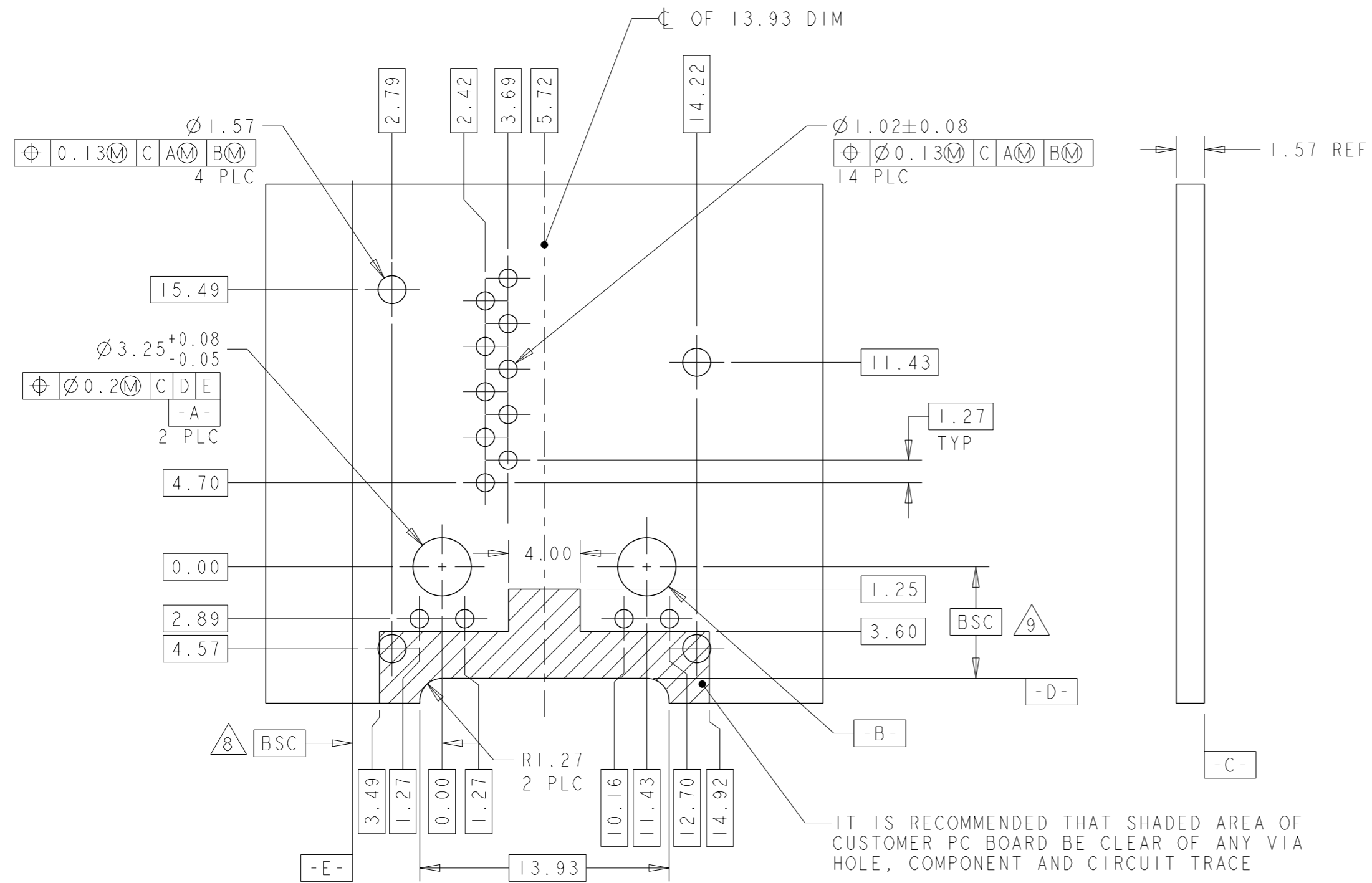
- DATUM AND BASIC DIMENSION ESTABLISHED BY CUSTOMER
- BASIC DIMENSION ESTABLISHED BY CUSTOMER, BUT MAY NOT BE GREATER THAN 6.22.

- SOLDERING ALL SIGNAL PINS WITH BOTTOM PCB

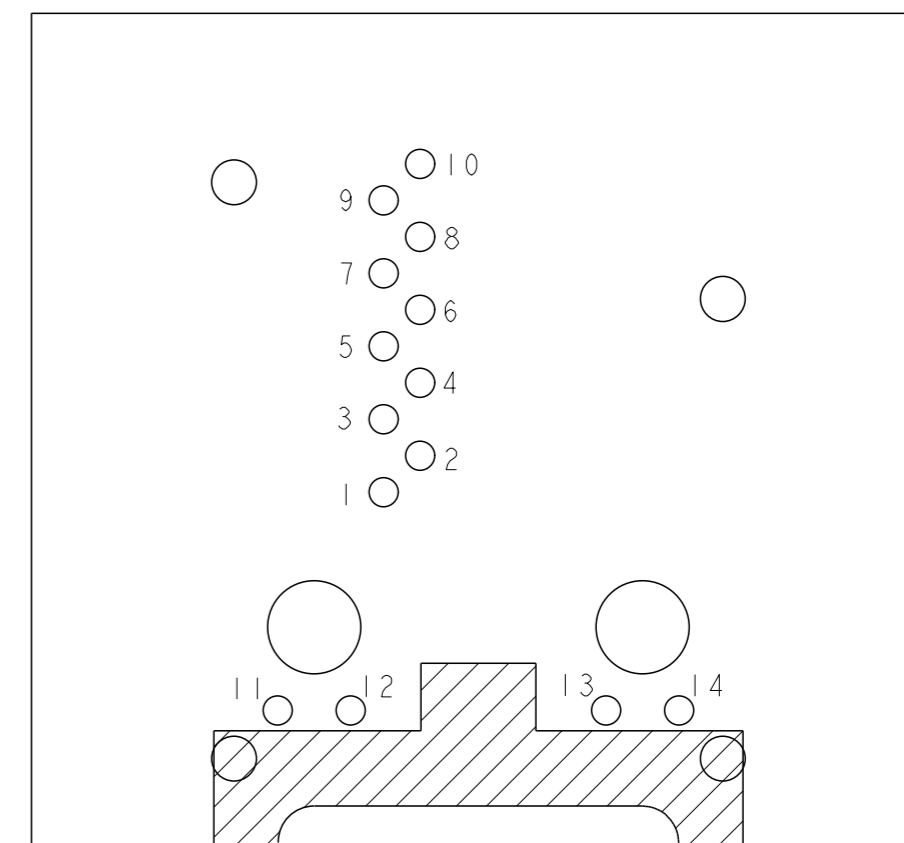
GREEN	GRN/ORANGE	1-1840448-8
YELLOW	GREEN	1840448-9
GREEN	YELLOW	1840448-8
GREEN	GREEN	1840448-7
GRN/YEL	GRN/YEL	1840448-6
LED 1	LED 2	PART NUMBER



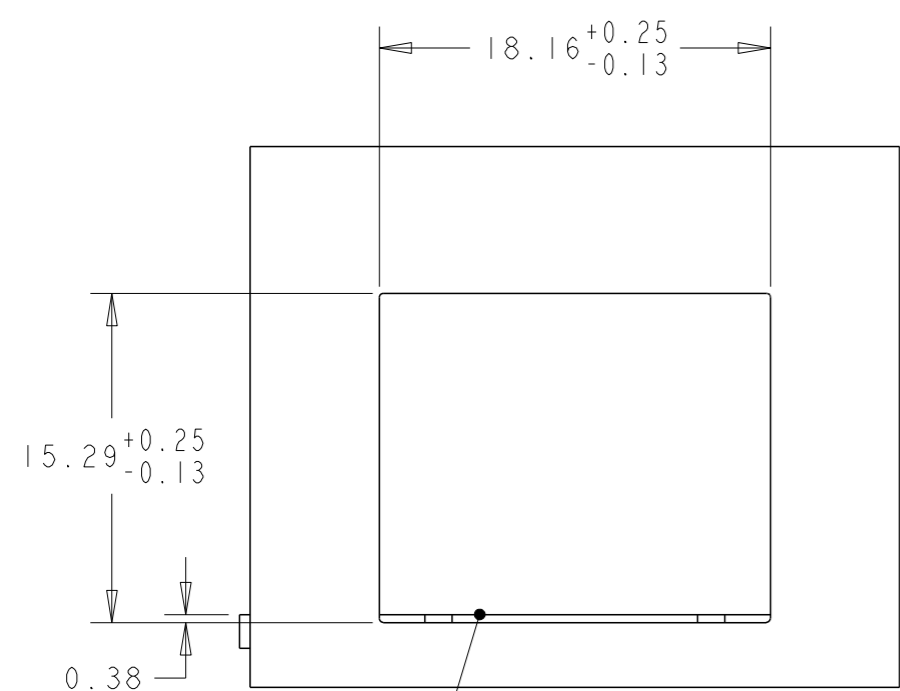
THIS DRAWING IS A CONTROLLED DOCUMENT.		DWN TOMMY REN 29 JAN 2008	TRP connector Dongguan China	
DIMENSIONS: mm		CHK KEITH ZHU 29 JAN 2008		
TOLERANCES UNLESS OTHERWISE SPECIFIED:		APVD TEDDY XIONG 29 JAN 2008	NAME IXI MAG45(TM), MODULAR JACK S8G17 GIGABIT CIRCUIT, WITH LEDS	
0 PLC ±0.25 1 PLC ±0.25 2 PLC ±0.25 3 PLC ±0.25 4 PLC ±0.25 ANGLES ± FINISH ±		PRODUCT SPEC	SIZE A2	DRAWING NO C=1840448
MATERIAL		APPLICATION SPEC	WEIGHT	RESTRICTED TO
		WEIGHT	CUSTOMER DRAWING	SCALE NTS SHEET 1 OF 3 REV D



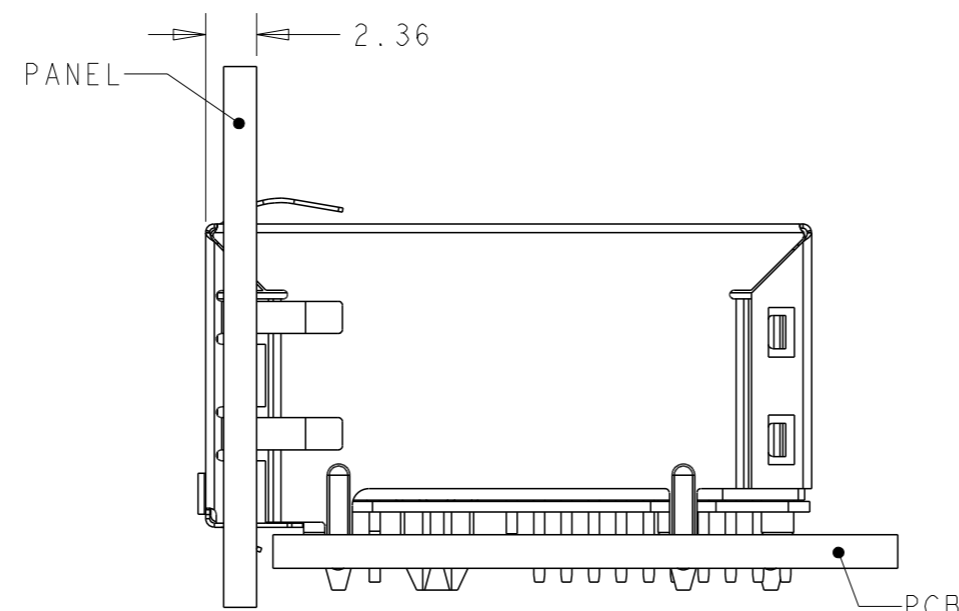
PC BOARD LAYOUT VIEWED FROM COMPONENT SIDE




PIN ARRANGEMENT FROM COMPONENT SIDE



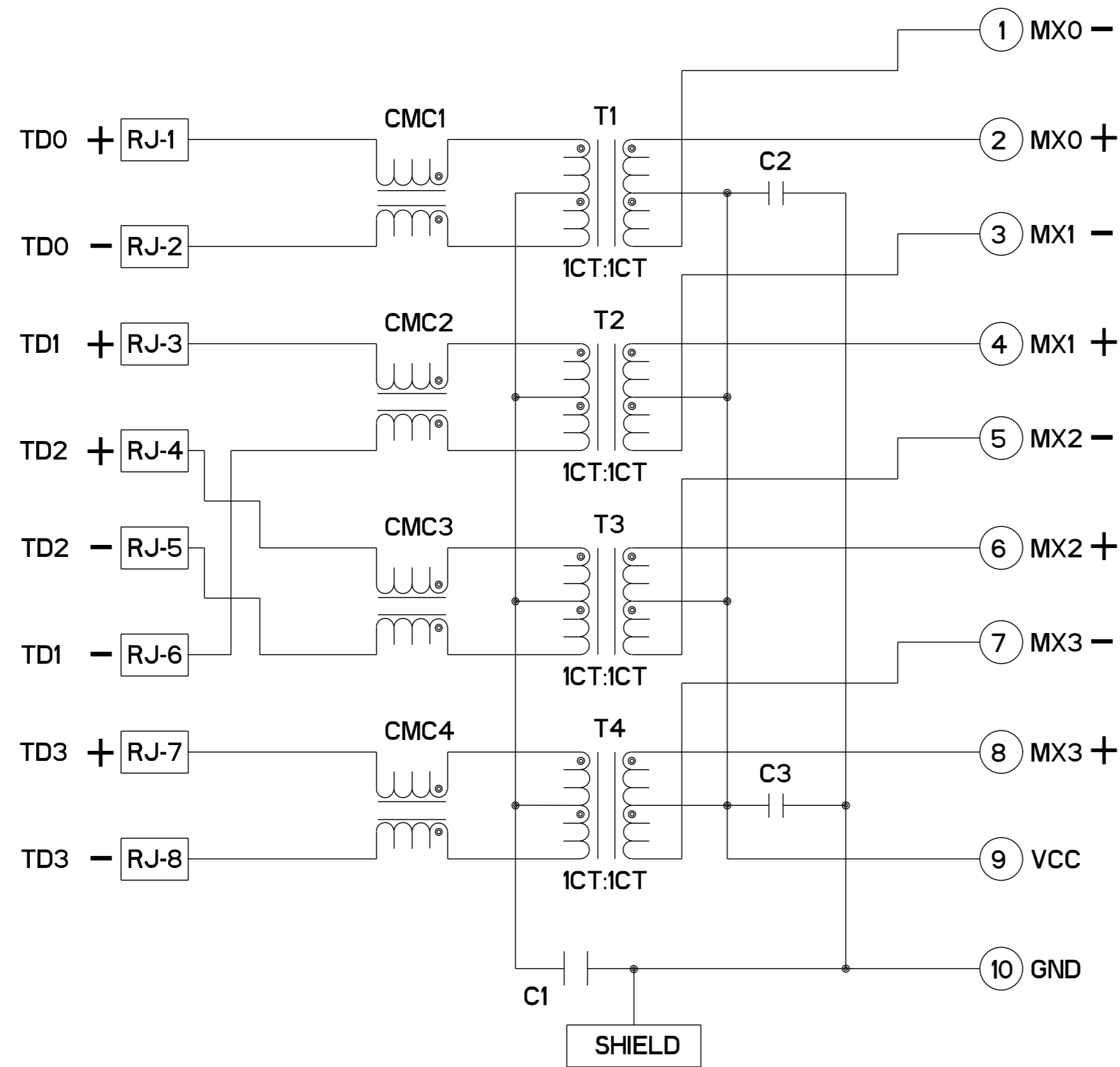
SUGGESTED PANEL CUTOUT



CONNECTOR ASSEMBLED TO PANEL AND PCB

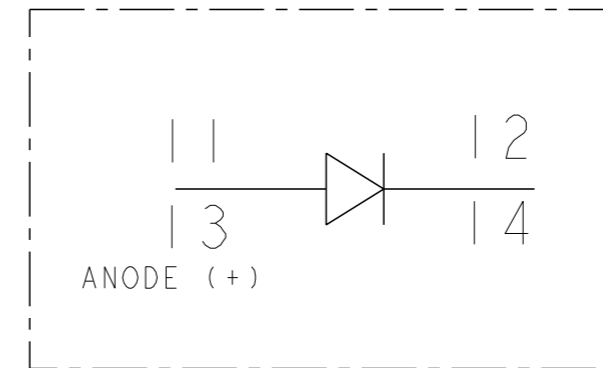
THIS DRAWING IS A CONTROLLED DOCUMENT.		DWN TOMMY REN 29 JAN 2008	 TRP connector Dongguan China														
DIMENSIONS: mm		CHK KEITH ZHU 29 JAN 2008															
TOLERANCES UNLESS OTHERWISE SPECIFIED:		APVD TEDDY XIANG 29 JAN 2008	NAME IXI MAG45(TM), MODULAR JACK S8G17 GIGABIT CIRCUIT, WITH LEDS														
<table border="1"> <tr> <td>0 PLC</td> <td>±0.25</td> </tr> <tr> <td>1 PLC</td> <td>±0.25</td> </tr> <tr> <td>2 PLC</td> <td>±0.25</td> </tr> <tr> <td>3 PLC</td> <td>±0.25</td> </tr> <tr> <td>4 PLC</td> <td>±0.25</td> </tr> <tr> <td>ANGLES</td> <td>±</td> </tr> <tr> <td>FINISH</td> <td>±</td> </tr> </table>		0 PLC	±0.25	1 PLC	±0.25	2 PLC	±0.25	3 PLC	±0.25	4 PLC	±0.25	ANGLES	±	FINISH	±	PRODUCT SPEC	SIZE A2
0 PLC	±0.25																
1 PLC	±0.25																
2 PLC	±0.25																
3 PLC	±0.25																
4 PLC	±0.25																
ANGLES	±																
FINISH	±																
MATERIAL		APPLICATION SPEC	CAGE CODE														
		WEIGHT	DRAWING NO C=1840448														
CUSTOMER DRAWING		SCALE NTS	RESTRICTED TO														
		SHEET 2 OF 3	REV D														

S8G17 GIGABIT CIRCUIT

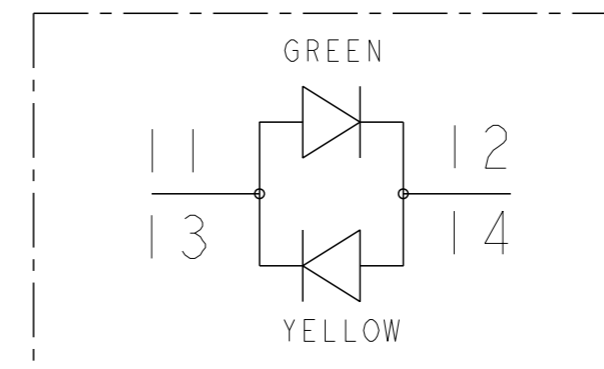


C1 = 1000pF, 2KV, DECOUPLING CAPACITOR
 C2-C3 = 470pF, 50V, CAPACITORS

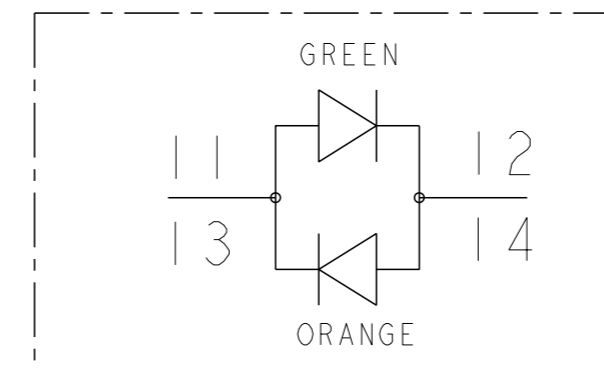
SINGLE COLOR LED




BI-COLOR LED



BI-COLOR LED



THIS DRAWING IS A CONTROLLED DOCUMENT.		DWN TOMMY REN 29 JAN 2008	 TRP connector Dongguan China
DIMENSIONS: mm		CHK KEITH ZHU 29 JAN 2008	
TOLERANCES UNLESS OTHERWISE SPECIFIED:		APVD TEDDY XIONG 29 JAN 2008	
0 PLC ±0.25 1 PLC ±0.25 2 PLC ±0.25 3 PLC ±0.25 4 PLC ±0.25 ANGLES ± FINISH ±		PRODUCT SPEC APPLICATION SPEC WEIGHT CUSTOMER DRAWING	
MATERIAL		NAME IXI MAG45(TM), MODULAR JACK S8G17 GIGABIT CIRCUIT, WITH LEDS	SIZE A2
		DRAWING NO C=1840448	RESTRICTED TO -
		SCALE NTS	SHEET 3 OF 3
			REV D