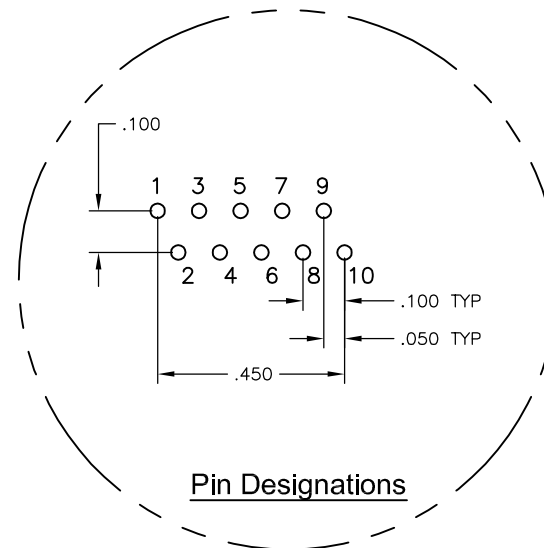
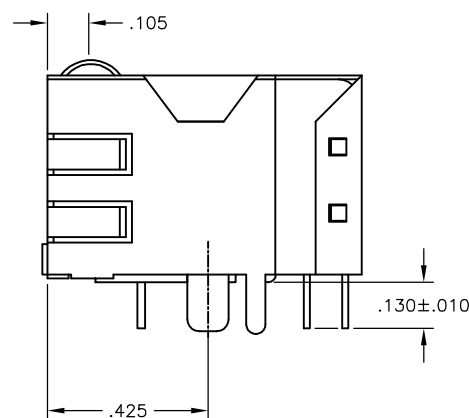
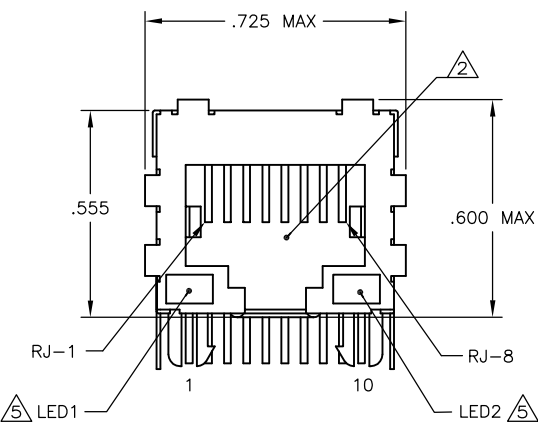
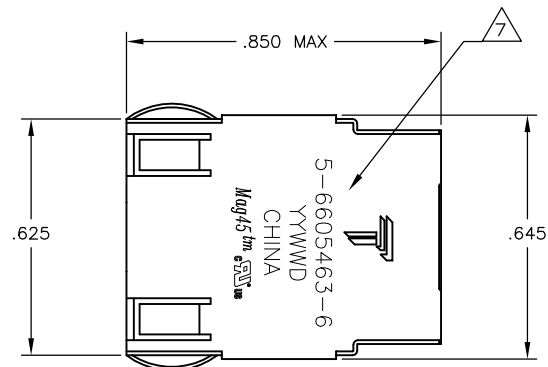


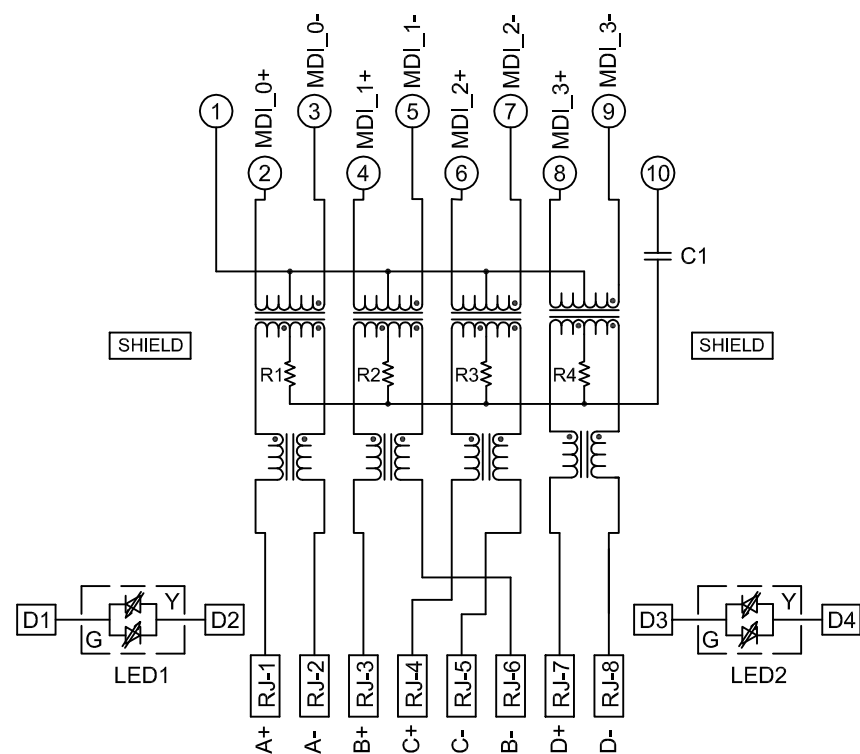
REVISIONS					
#	DATE	DESCRIPTION	BY	CHK	APP'D
E	23APR2013	LOGO CHANGE	JC	KZ	

MECHANICAL:

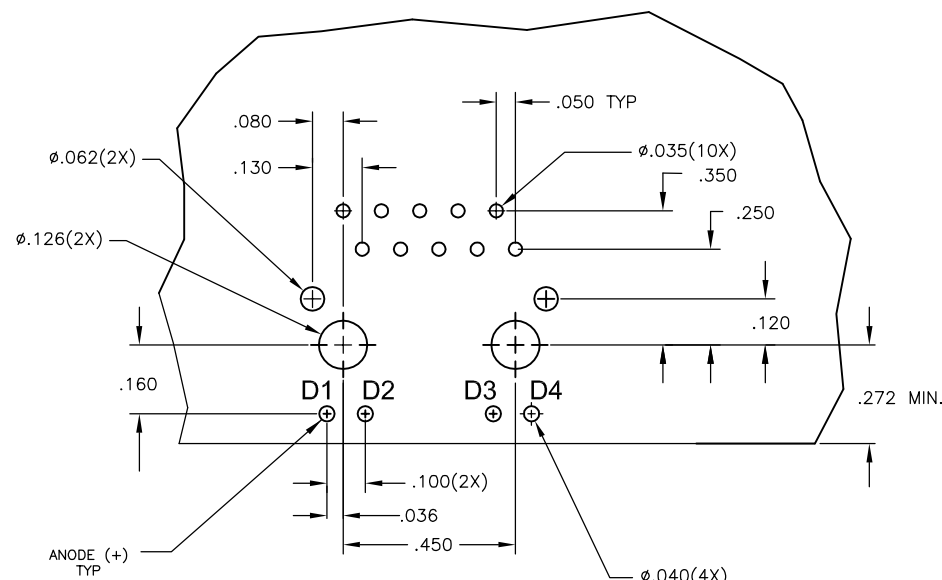


ELECTRICAL:

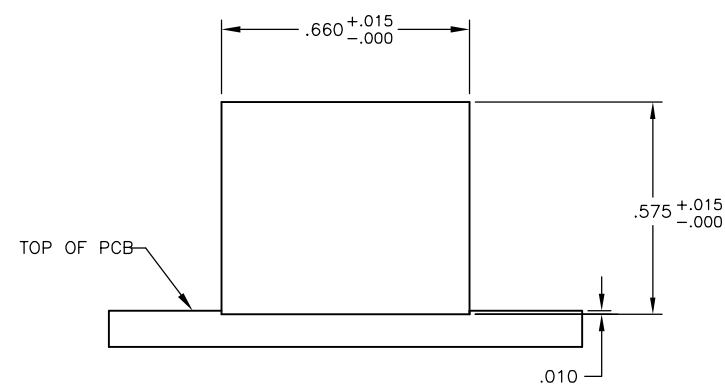
4G01P1 GIGABIT MAGNETIC CIRCUIT



C1=1000pF, 2kV DECOUPLING CAPACITOR
 R1-R4 = 75 OHMS, 1/16 W RESISTORS



Suggested PCB Layout
 (Component Side)



Suggested Panel Cutout

MATERIALS:
 HOUSING - THERMOPLASTIC PET POLYESTER FLAMMABILITY RATING UL 94V-0.
 SHIELD - .010" THICK, C26800 BRASS PREPLATED WITH 30μINCH MIN SEMI-BRIGHT NICKEL. SOLDER TABS POST DIPPED WITH 100μINCH MIN SAC SOLDER.
 MOD JACK CONTACTS - 0.0157 X 0.018" PHOSPHOR BRONZE, 50μINCH MIN OVERALL NICKEL UNDERPLATE WITH SELECT 50μINCH MIN HARD GOLD FINISH PLATE.
 SOLDER TAILS WITH 100μINCH MIN MATTE TIN AND/OR SAC SOLDER DIP.
 LIGHT EMITTING DIODE(LED) - DIFFUSED EPOXY LENS, .020" X .020" CARBON STEEL WIREFRAME LEADS PRE-PLATED WITH 80μINCH SILVER OVER 40μINCH NICKEL UNDERPLATE OVER 40μINCH COPPER UNDERPLATE. POST-PLATED WITH 100μINCH MIN MATTE TIN AND/OR SAC SOLDER DIP OR PURE TIN SOLDER DIP.

RJ45 JACK CAVITY CONFORMS TO FCC RULES AND REGULATIONS PART 68, SUB PART F.

MAGNETICS
 -IMPEDANCE: 100 OHMS
 -TURNS RATIO (CHIP:CABLE): 1:1 ALL FOUR PAIRS
 -OPEN CIRCUIT INDUCTANCE (OCL): 350μH MIN @100kHz, 0.1VRMS, 8mADC BIAS FROM 0°C TO 70°C, ALL FOUR PAIRS
 -ALL FOUR PAIRS BI-DIRECTIONAL
 -PERFORMANCE @ 25°C:
 INSERTION LOSS (IL): 1.1dB MAX FROM 0.5MHz TO 100MHz
 RETURN LOSS (RL): 18dB MIN FROM 0.5MHz TO 40MHz
 12-20LOG(f/80)dB MIN FROM 40.1MHz TO 100MHz
 CROSSTALK ATTENUATION: 35dB MIN FROM 0.5MHz TO 40MHz
 33-20xLOG(f/50)dB MIN FROM 40.1MHz TO 100MHz
 COMMON MODE REJECTION RATIO (CMRR): 30dB MIN FROM 0.5MHz TO 100MHz
 -ISOLATION VOLTAGE: 2250VDC (MAX) FOR 60 SECONDS WITH A RISE TIME OF 500V/SEC.

4 OPERATION TEMPERATURE: FROM 0°C To +70°C.

LEDs ARE DRIVEN WITH CONSTANT CURRENT AT APPROX 20mA.
 LED COLOR: DOMINANT WAVELENGTH (λD): GREEN 568 nm TYP @ IF=20mA
 FORWARD VOLTAGE (VF): GREEN 2.2V TYP @ IF=20mA
 DOMINANT WAVELENGTH (λD): YELLOW 588 nm TYP @ IF=20mA
 FORWARD VOLTAGE (VF): YELLOW 2.1V TYP @ IF=20mA.

THE MAGNETICS ARE SYMMETRIC TO SUPPORT AUTO-MDI/MDIX.

TRP CONNECTOR LOGO, PART NUMBER, DATE CODE, COUNTRY OF ORIGIN AND AGENCY APPROVAL MARKING IN APPROXIMATE LOCATION SHOWN.

8. THE PART IS RECOMMENDED FOR WAVE SOLDERING PROCESS, PREHEAT TEMPERATURE IS 120°C TO 160°C, 120 SECONDS TO 180 SECONDS, PEAK SOLDERING TEMPERATURE IS 260 °C MAX, 10 SECONDS MAX.

GREEN/YELLOW	GREEN/YELLOW	5-6605463-6
LED1	LED2	PART NUMBER

THIS DRAWING IS A CONTROLLED DOCUMENT.		DRN L. VARELA - 09MAR2005	TRP connector Dongguan China	
DIMENSIONS: INCHES		CHK D. FAROLE - 09MAR2005	APPROVAL D. FAROLE - 09MAR2005	
TOLERANCES UNLESS OTHERWISE SPECIFIED:		PRODUCT SPEC 108-2100		
0 PLC ± -		NAME 1X1 MAG45(TM), MODULAR JACK, 4G01P1 GIGABIT SCHEMATIC, 4G01P1 MAGNETIC CIRCUIT, (10 PIN HORIZ) SHIELDED, WITH BI-COLOR LEDs		
1 PLC ± .010		APPLICATION SPEC		
2 PLC ± .005		SIZE A1		
3 PLC ± .005		SCALE NTS		
4 PLC ± .005		SHEET 1 OF 1		
ANGLES °		REV E		
FINISH 1		CUSTOMER DRAWING		