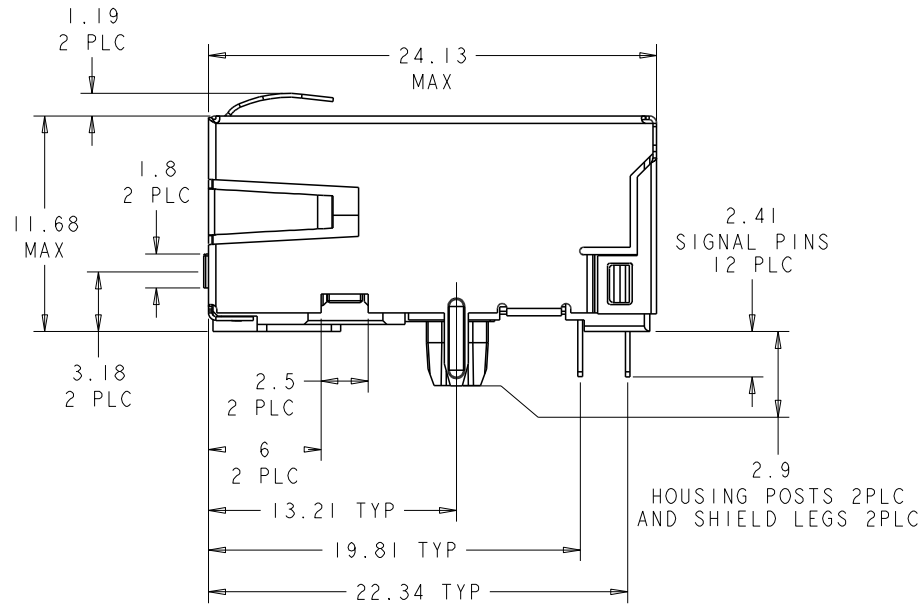
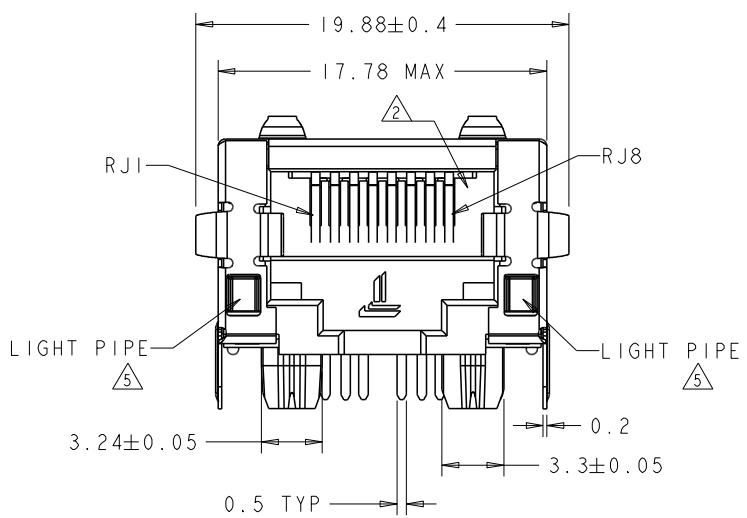
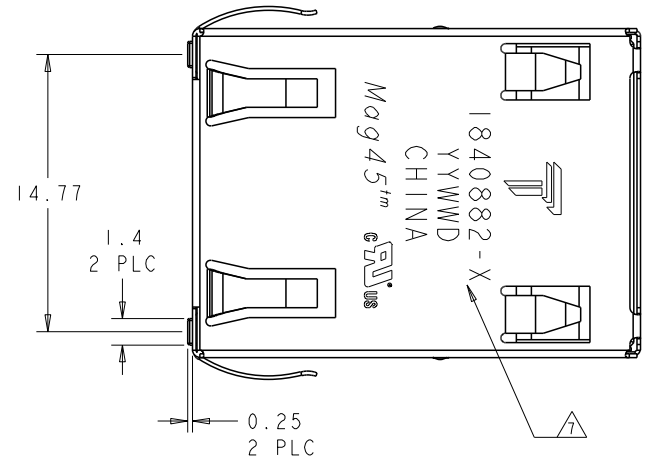
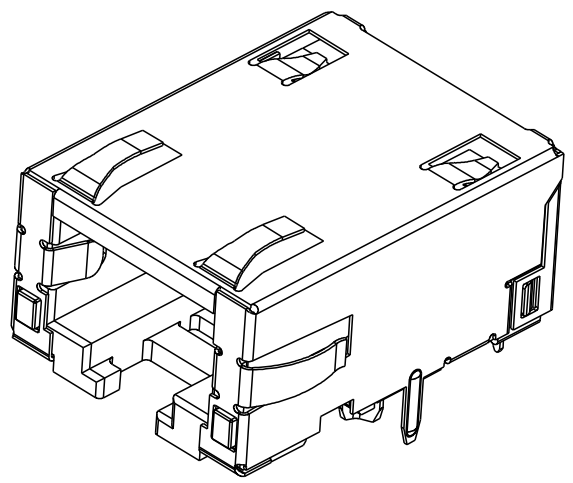
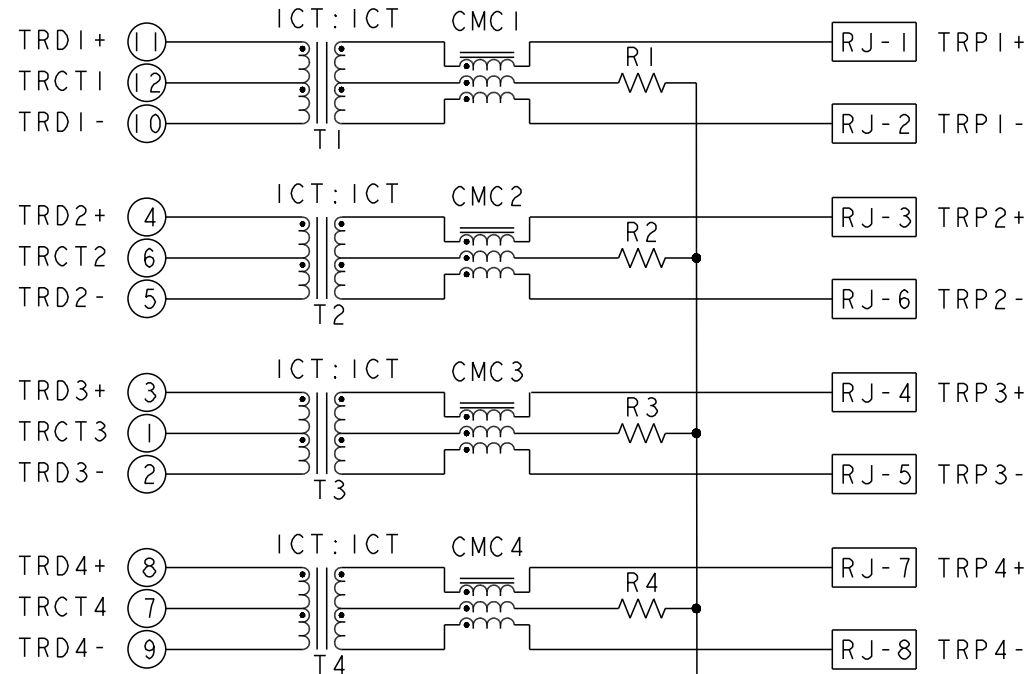


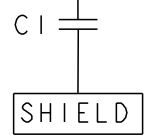
REVISIONS				
P	LYR	DESCRIPTION	DATE	APPD
D		LOGO CHANGE	24APR2013	TY KZ



8G18 GIGABIT CIRCUIT Δ Δ



CI=1000pF, 2kV, CAPACITOR
 R1-R4 = 75 Ohms, RESISTORS



- Δ MATERIALS:
 - HOUSING: HIGH TEMPERATURE NYLON, BLACK, UL 94V-0
 - SHIELD: 0.20mm THICK, BRASS PREPLATED WITH 0.76 μ m MIN SEMI-BRIGHT NICKEL; POST-DIPPED WITH 2 μ m MIN SAC ALLOY LEAD FREE SOLDER
 - CONTACT TAILS: 0.25mm THICK, PHOSPHOR BRONZE, 1.27 μ m MIN OVERALL NICKEL UNDERPLATE, 3 μ m MIN TIN PLATE
 - MOD JACK CONTACTS: 0.25mm THICK, PHOSPHOR BRONZE, 1.27 μ m MIN OVERALL NICKEL UNDERPLATE, WITH 0.76 μ m MIN LOCALIZED GOLD PLATE AT PLUG INTERFACE
 - LIGHT PIPE: POLYETHER SULFONE

Δ RJ45 JACK CAVITY CONFORMS TO FCC RULES AND REGULATIONS PART 68, SUB-PART F.

- Δ MAGNETICS:
 - APPLICATION: 10/100/1000 BASE-T
 - IMPEDANCE: 100 OHMS
 - TURNS RATIO (CHIP:CABLE): 1:1 ALL FOUR PAIRS
 - OPEN CIRCUIT INDUCTANCE (OCL): 350 μ H MIN @100kHz, 0.1VRMS, 8mADC BIAS FROM 0°C TO 70°C, ALL FOUR PAIRS
 - ALL FOUR PAIRS BI-DIRECTINAL
 - PERFORMANCE @ 25°C:
 - INSERTION LOSS (IL): 1.1dB MAX FROM 0.5MHz TO 100MHz
 - RETURN LOSS (RL): 18dB MIN FROM 0.5MHz TO 40MHz
 - 12-20LOG(f/80)dB MIN FROM 40.1MHz TO 100MHz
 - CROSSTALK ATTENUATION: 35dB MIN FROM 0.5MHz TO 40MHz
 - 33-20LOG(f/50)dB MIN FROM 40.1MHz TO 100MHz
 - COMMON MODE REJECTION RATIO (CMRR): 30dB MIN FROM 0.5MHz TO 100MHz
 - ISOLATION VOLTAGE: 2250VDC (MAX) FOR 60 SECONDS WITH A RISE TIME OF 500V/SEC

Δ OPERATING TEMPERATURE: FROM 0°C TO 70°C

Δ LIGHT PIPES ARE USED TO TRANSMIT LIGHT OF SMD LED'S MOUNTED ON CUSTOMER BOARD.

Δ ALL DIMENSIONS ARE NOMINAL UNLESS OTHERWISE NOTED.

Δ TRP CONNECTOR LOGO, PART NUMBER, DATE CODE, COUNTRY OF ORIGIN, AND AGENCY APPROVAL MARKING IN APPROXIMATE LOCATION SHOWN

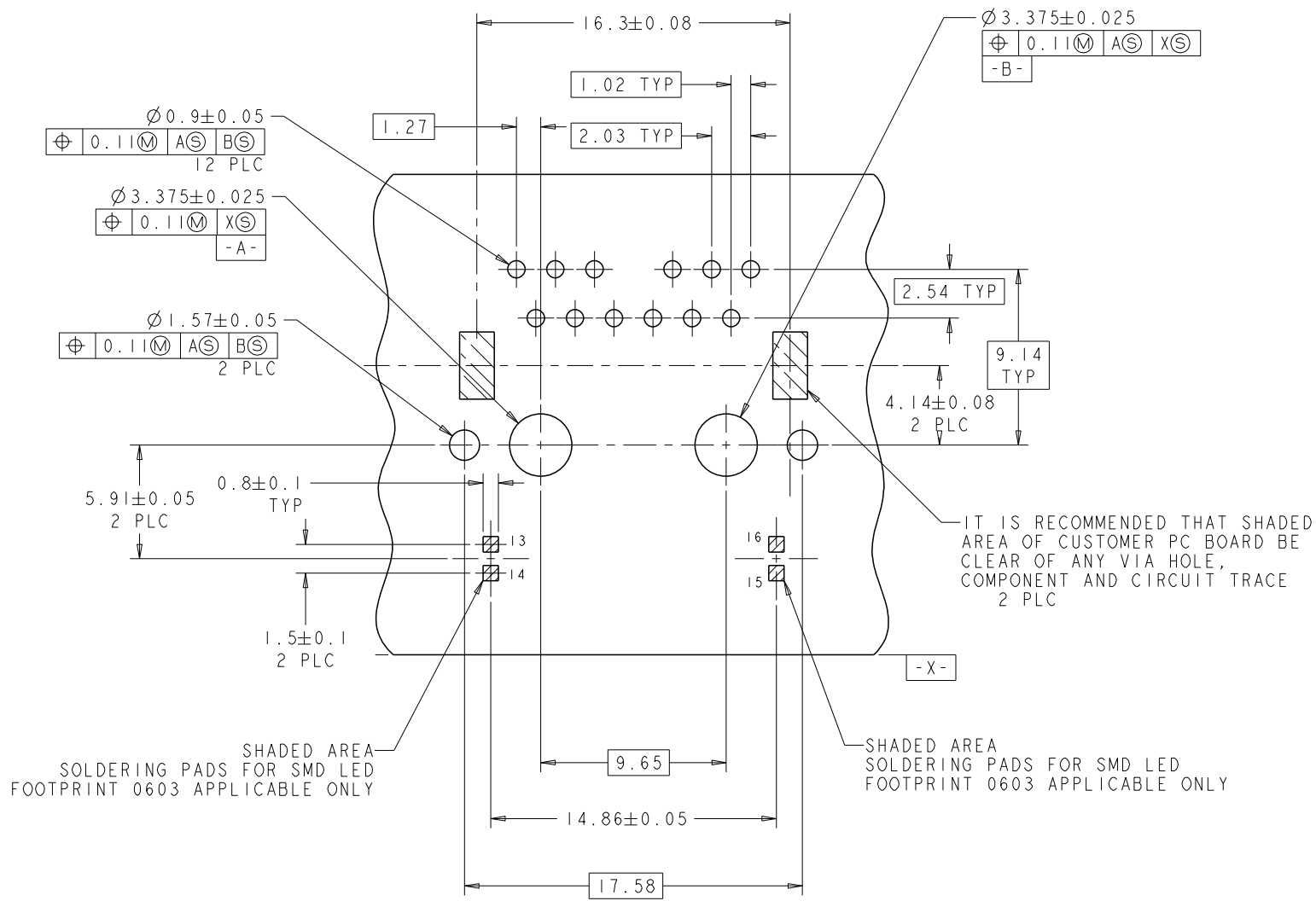
WITH TRAY	1840882-2
WITH REEL	1840882-1
PACKAGE	PART NO.

THIS DRAWING IS A CONTROLLED DOCUMENT.

DIMENSIONS: mm	0 PLC ±0.25 1 PLC ±0.25 2 PLC ±0.25 3 PLC ±0.25 4 PLC ±0.25 ANGLES ±0.5	OTHERWISE SPECIFIED: Δ
MATERIAL: FINISH	Δ Δ	Δ

OWN: ROY LIU/COLIN ZHOU CHK: TOWER YU APFD: KEITH ZHU	17NOV2010 17NOV2010 17NOV2010
PRODUCT SPEC: 108-2207 APPLICATION SPEC:	NAME: IXI MAG45(TM), MODULAR JACK, 8G18 SERIES GIGABIT CIRCUIT
SIZE: A1 CAGE CODE: C=1840882	RESTRICTED TO: -
CUSTOMER DRAWING	SCALE: NTS SHEET 1 OF 2 REV D

TRP connector Dongguan China

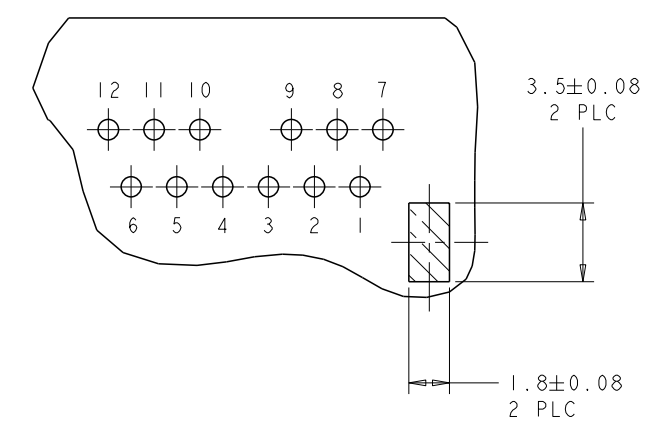


SHADED AREA
SOLDERING PADS FOR SMD LED
FOOTPRINT 0603 APPLICABLE ONLY

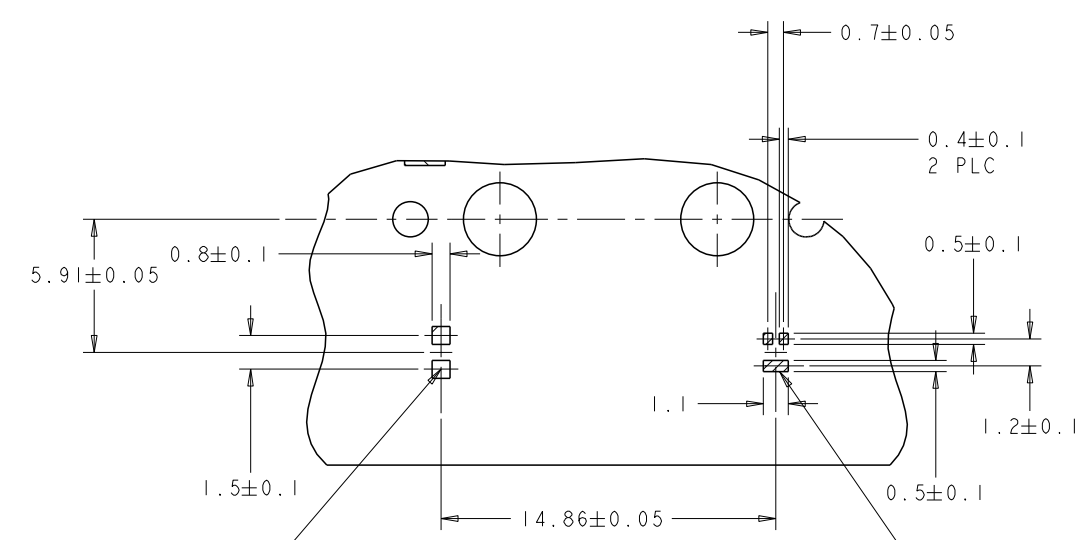
SHADED AREA
SOLDERING PADS FOR SMD LED
FOOTPRINT 0603 APPLICABLE ONLY

IT IS RECOMMENDED THAT SHADED
AREA OF CUSTOMER PC BOARD BE
CLEAR OF ANY VIA HOLE,
COMPONENT AND CIRCUIT TRACE
2 PLC

SUGGESTED PCB LAYOUT
FOR SINGLE COLOR LED
(COMPONENT SIDE)



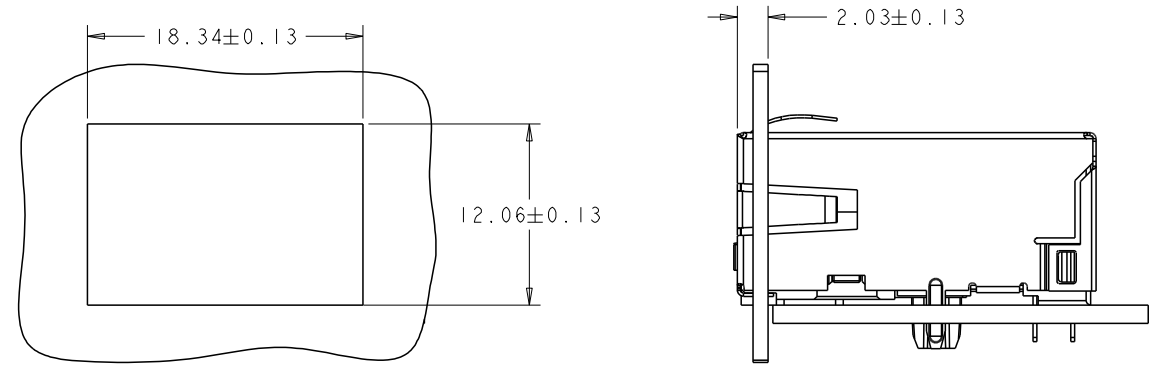
PIN DESIGNATIONS



SHADED AREA
SOLDERING PADS FOR SMD LED
FOOTPRINT 0603 APPLICABLE ONLY

SHADED AREA SOLDERING PADS FOR
SMD LED FOOTPRINT 0603
APPLICABLE ONLY

SUGGESTED PCB LAYOUT
FOR BI-COLOR LED
(COMPONENT SIDE)



SUGGESTED PANEL OPENING

THIS DRAWING IS A CONTROLLED DOCUMENT.		DWN 17NOV2010 ROY LIU/COLIN ZHOU		TRP connector Dongguan China	
DIMENSIONS: mm		TOLERANCES UNLESS OTHERWISE SPECIFIED:		Chk 17NOV2010 TOWER YU	
	0 PLC	±		APFD 17NOV2010 KEITH ZHU	
	1 PLC	±0.25		PRODUCT SPEC	
	2 PLC	±0.25		108-2207	
	3 PLC	±		APPLICATION SPEC	
MATERIAL:		FINISH:		WEIGHT:	
				A1	
				C=1840882	
				CUSTOMER DRAWING	
				SCALE NTS	
				SHEET 2 OF 2	
				REV D	