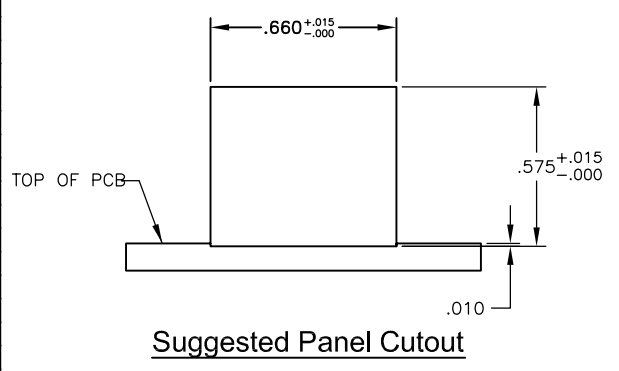
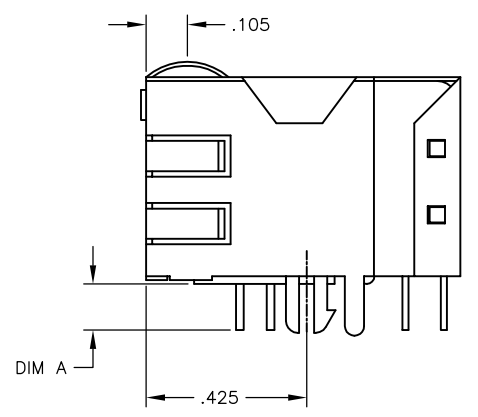
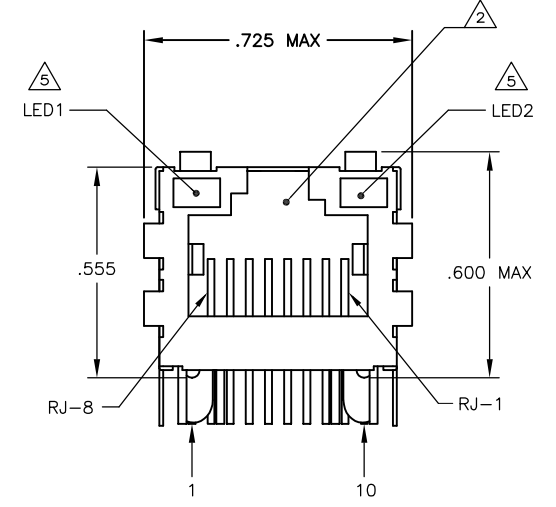
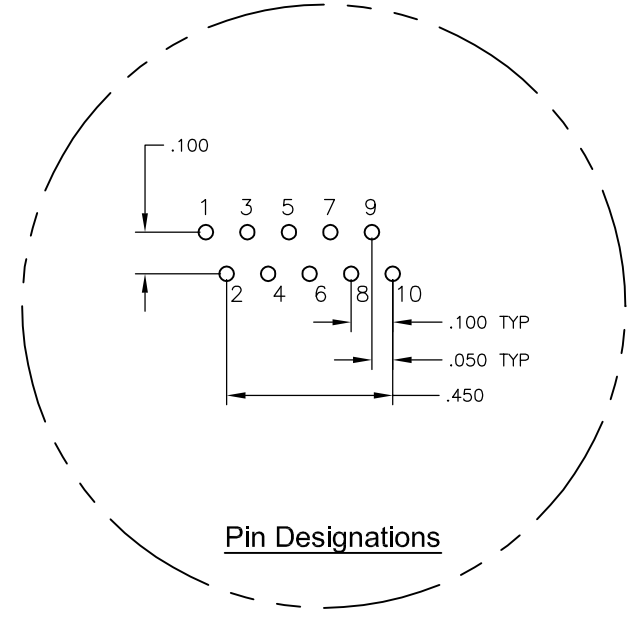
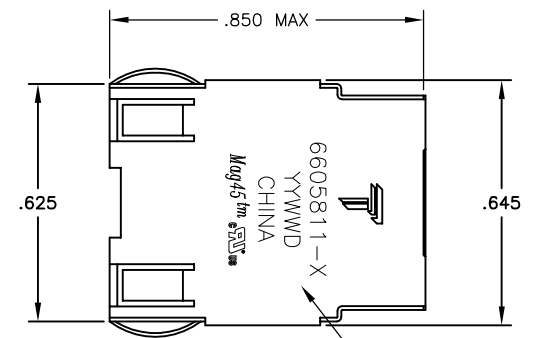
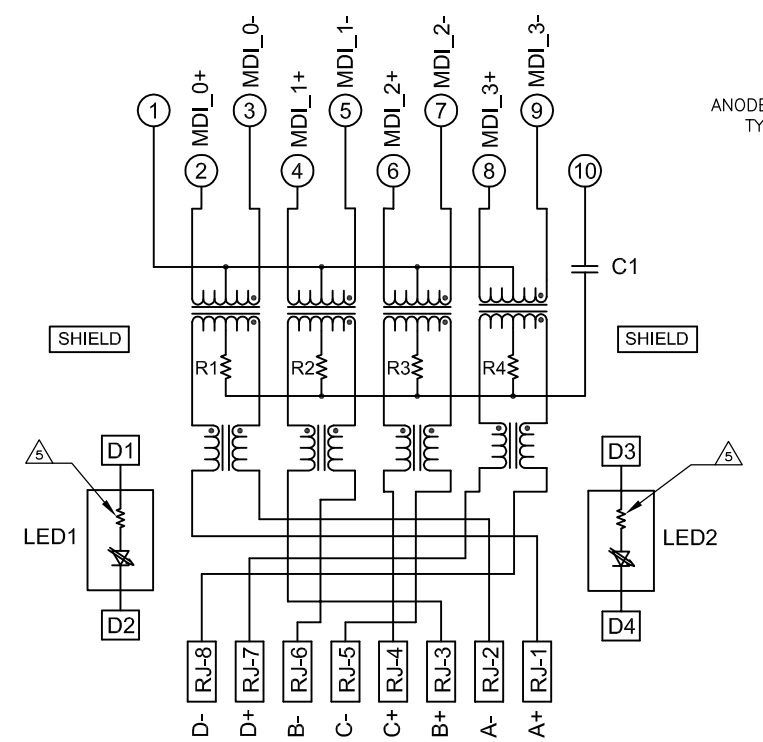


REVISIONS				
#	LN	DESCRIPTION	DATE	BY
E		LOGO CHANGE	07APR2013	QL KZ

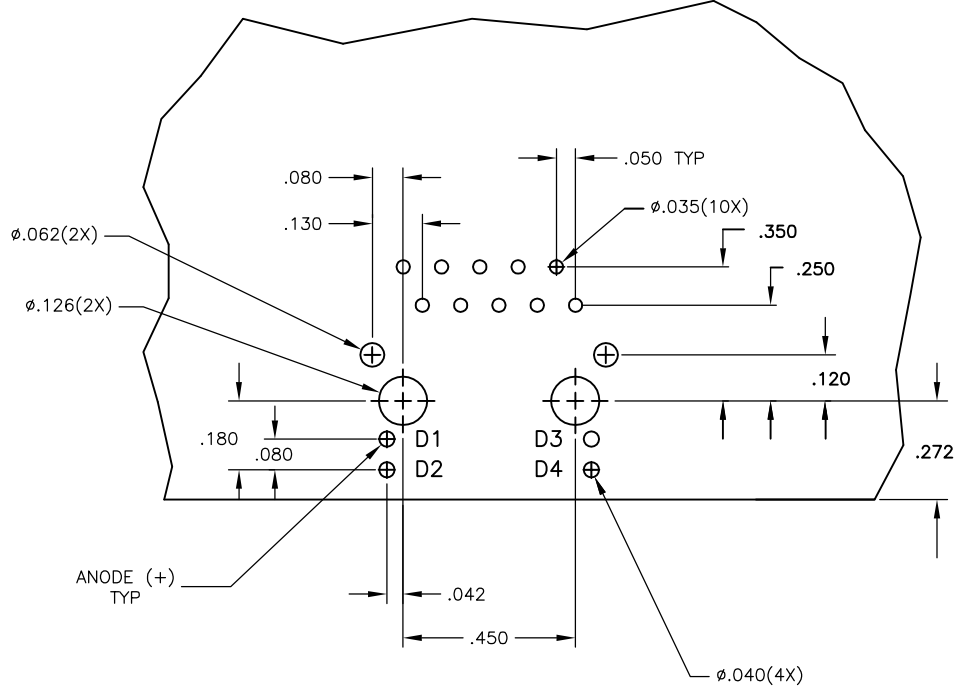
MECHANICAL:



7G01P1 SERIES GIGABIT CIRCUIT



C1=1000pF, 2kV CAPACITOR  
R1-R4 = 75 OHMS, 1/16 W RESISTORS



Suggested PCB Layout (Component Side)

- △ MATERIALS:
  - HOUSING - THERMOPLASTIC PET POLYESTER FLAMMABILITY RATING UL 94V-0.
  - SHIELD - .010" THICK, C26800 BRASS PREPLATED WITH 30μINCH MIN SEMI-BRIGHT NICKEL, SOLDER TABS POST DIPPED WITH 100μINCH MIN SAC SOLDER.
  - MOD JACK CONTACTS - 0.0157" x 0.018" PHOSPHOR BRONZE, 50μINCH MIN OVERALL NICKEL UNDERPLATE, WITH SELECT 50μINCH MIN HARD GOLD FINISH PLATE.
  - SOLDERTAILS WITH 100μINCH MIN MATTE TIN AND/OR SAC SOLDER DIP.
  - LIGHT EMITTING DIODE(LED) - DIFFUSED EPOXY LENS, .020" x .020" CARBON STEEL WIREFRAME LEADS PRE-PLATED WITH 80μINCH SILVER OVER 40μINCH NICKEL UNDERPLATE OVER 40μINCH COPPER UNDERPLATE, POST-PLATED WITH 100μINCH MIN MATTE TIN AND/OR SAC SOLDER DIP OR PURE TIN SOLDER DIP.
- △ RJ45 JACK CAVITY CONFORMS TO FCC RULES AND REGULATIONS PART 68, SUB PART F.
- △ MAGNETICS
  - IMPEDANCE: 100 OHMS
  - TURNS RATIO (CHIP:CABLE): 1:1 ALL FOUR PAIRS
  - OPEN CIRCUIT INDUCTANCE (OCL): 350uH MIN @100kHz, 0.1VRMS, 8mADC BIAS FROM 0°C TO 70°C, ALL FOUR PAIRS
  - ALL FOUR PAIRS BI-DIRECTIONAL
  - PERFORMANCE @ 25°C:
    - INSERTION LOSS (IL): 1.1dB MAX FROM 0.5MHZ TO 100MHZ
    - RETURN LOSS (RL): 18dB MIN FROM 0.5MHZ TO 4.0MHZ
    - 12-20LOG(f/80)dB MIN FROM 40.1MHZ TO 100MHZ
    - CROSSTALK ATTENUATION: 35dB MIN FROM 0.5MHZ TO 40MHZ
    - 33-20xLOG(f/50)dB MIN FROM 40.1MHZ TO 100MHZ
    - COMMON MODE REJECTION RATIO (CMRR): 30dB MIN FROM 0.5MHZ TO 100MHZ
    - ISOLATION VOLTAGE:2250VDC (MAX) FOR 60 SECONDS WITH A RISE TIME OF 500V/SEC.
- 4. OPERATING TEMPERATURE: FROM 0°C - +70°C.
- △ LED WITH 250 OHM RESISTORS,LED IS DRIVEN WITH 5V VOLTAGE AND THE MAX OPERATING CURRENT IS 20mA.
  - LED COLOR : DOMINANT WAVELENGTH (λD): GREEN 568 nm TYP @ VF=5V
  - FORWARD CURRENT (IF): GREEN 12 mA TYP @ VF=5V
  - DOMINANT WAVELENGTH (λD): YELLOW 588 nm TYP @ VF=5V
  - FORWARD CURRENT (IF): YELLOW 13 mA TYP @ VF=5V
- △ THE MAGNETICS ARE SYMMETRICAL AND SUPPORT AUTO-MDIX.
- △ TRP CONNECTOR LOGO, PART NUMBER, DATE CODE, COUNTRY OF ORIGIN AND AGENCY APPROVAL MARKING IN APPROXIMATE LOCATION SHOWN.
- △ THESE PARTS ARE RECOMMENDED FOR WAVE SOLDERING PROCESS, PREHEAT TEMPERATURE IS 120°C TO 160°C, 120 SECONDS TO 180 SECONDS, PEAK WAVE SOLDERING TEMPERATURE IS 260°C MAX, 10 SECONDS MAX.
- △ OBSOLETE PARTS: OBSOLETE CIS STREAMLINING PER D.RENAUD/D.SINISI

△ OBSOLETE	.145±.010	YES	GREEN	GREEN	6-6605811-1
	.145±.010	YES	YELLOW	GREEN	5-6605811-2
	.145±.010	YES	GREEN	YELLOW	5-6605811-1
	.165±.010	YES	GREEN	GREEN	2-6605811-1

THIS DRAWING IS A CONTROLLED DOCUMENT.

DIMENSIONS: INCHES 0 PLG ± - 1 PLG ± - 2 PLG ± .010 3 PLG ± .005 4 PLG ± - ANGLES ± - FINISH △	TOLERANCES UNLESS OTHERWISE SPECIFIED: DIM A 2KV DECOUPLING CAPACITOR LED1 △ LED2 △	DIM L VARELA - DOCKS DIM D FAROLE DIM A D FAROLE PRODUCT SPEC 108-2100 APPLICATION SPEC MATERIAL △ WEIGHT - CUSTOMER DRAWING	TRP connector Dongguan China NAME 1X1 MAG45(TM), MODULAR JACK, 7G01P1 GIGABIT SCHEMATIC, 7G01 SERIES CIRCUIT, SHIELDED, DECOUPLING CAPACITOR, WITH RESISTOR LEDS SIZE GAGE CODE DRAWING NO A100779 C=6605811 SCALE 1:1 SHEET 1 OF 1 REV E
--	--	---	--