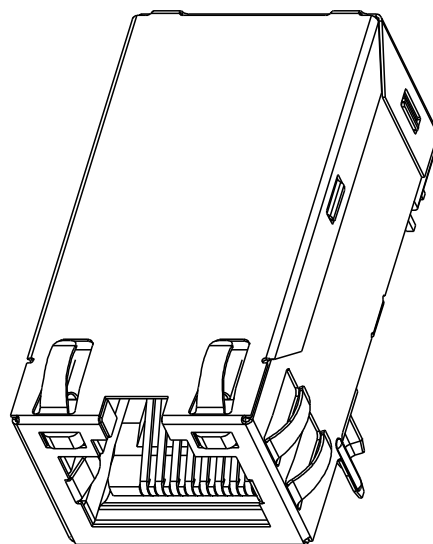
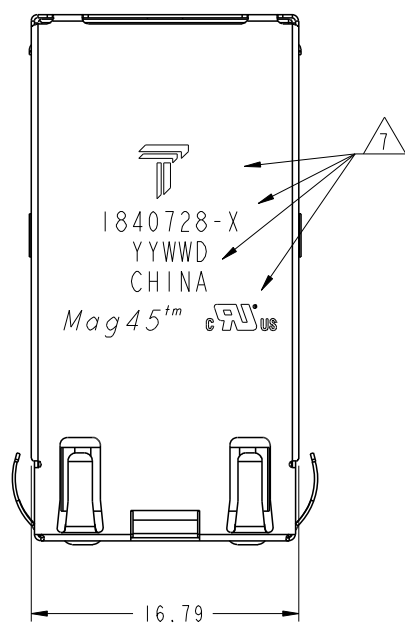
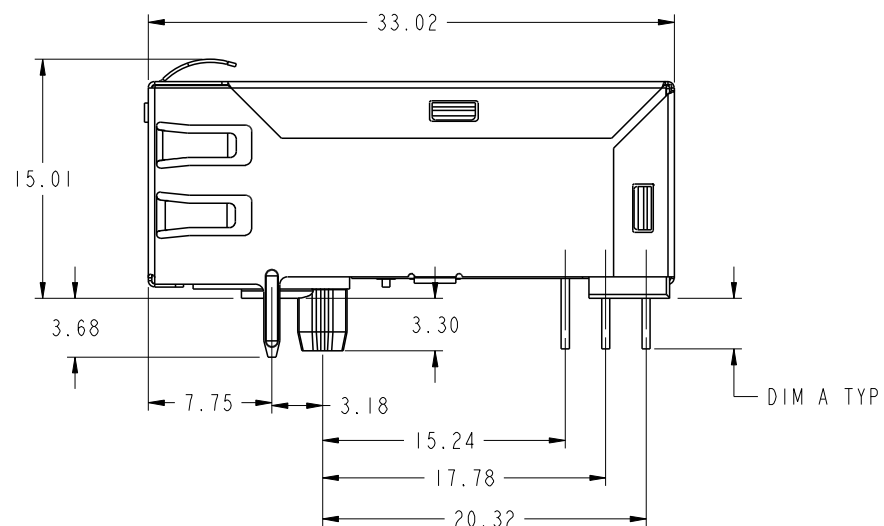
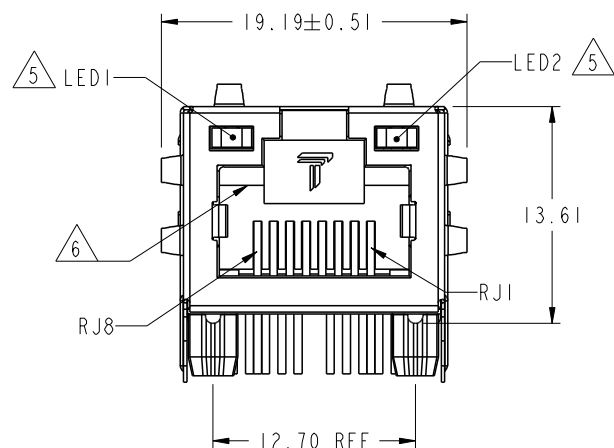


REVISIONS				
P	LTR	DESCRIPTION	DATE	OWN APVD
	A	LOGO CHANGE	24APR2013	TY KZ

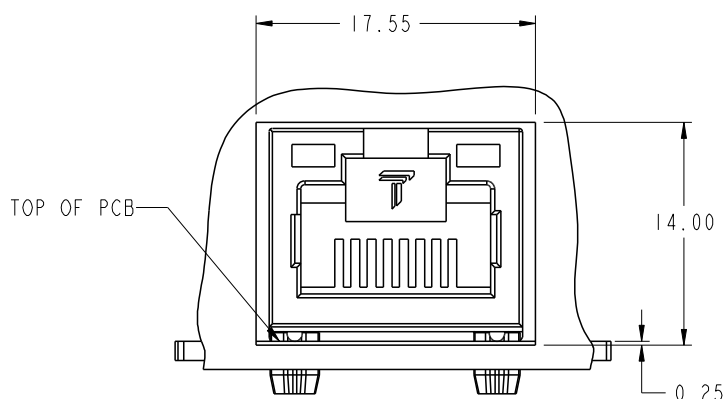


- 1 MATERIALS**
 HOUSING: THERMOPLASTIC, BLACK, FLAMMABILITY RATING UL 94V-0
 SHIELD: BRASS, 0.20mm THICK
 PREPLATED WITH MIN 0.76um SEMI-BRIGHT NICKEL
 POST DIPPED WITH 2.54um MIN SAC SOLDER AT GROUND PINS.
 CONTACT: PHOSPHOR BRONZE, 0.46mmX0.30mm
 WITH 1.27um MIN OVERALL NICKEL UNDERPLATE AND
 SELECTIVE 1.27um MIN GOLD PLATING AT MATING INTERFACE
 SOLDER TAIL: COPPER CLADDED STEEL, 0.50mm SQUARE
 PLATED WITH 2.54um MIN MATTE TIN
 LIGHT PIPE: POLYCARBON, TRANSPARENT, RATING UL 94V-0
 LED: DIFFUSED EPOXY LENS, 0.50mm SQUARE CARBON STEEL WIREFRAME LEADS
 PREPLATED WITH 2.03um MIN SILVER OVER 1.02um MIN NICKEL
 OVER 1.02um MIN COPPER UNDERPLATE
 POST PLATED WITH 2.54um MIN TIN
- 2 MAGNETICS**
 -APPLICATION: 10/100/1000 BASE-T
 -IMPEDANCE: 100 OHMS
 -TURNS RATIO (CHIP:CABLE): 1:1 ALL FOUR PAIRS
 -OPEN CIRCUIT INDUCTANCE (OCL): 350uH MIN @100kHz, 0.1VRMS,
 8mADC BIAS FROM 0°C TO 70°C, ALL FOUR PAIRS
 -ALL FOUR PAIRS BI-DIRECTIONAL
 -PERFORMANCE @ 25°C:
 INSERTION LOSS (IL): 1.1dB MAX FROM 0.5MHz TO 100MHz
 RETURN LOSS (RL): 18dB MIN FROM 0.5MHz TO 40MHz
 12-20LOG(f/80)dB MIN FROM 40.1MHz TO 100MHz
 CROSSTALK ATTENUATION: 35dB MIN FROM 0.5MHz TO 40MHz
 33-20LOG(f/50)dB MIN FROM 40.1MHz TO 100MHz
 COMMON MODE REJECTION RATIO (CMRR): 30dB MIN FROM 0.5MHz TO 100MHz
 -ISOLATION VOLTAGE: 2250 VDC FOR 60 SECONDS DURATION FOR 1840728-6,
 1840728-7, 1-1840728-3, 1-1840728-5
 -ISOLATION VOLTAGE: 1500 VAC(RMS) AT 50 Hz TO 60 Hz FOR 60 SECONDS DURATION
 FOR 1840728-5, 1840728-9

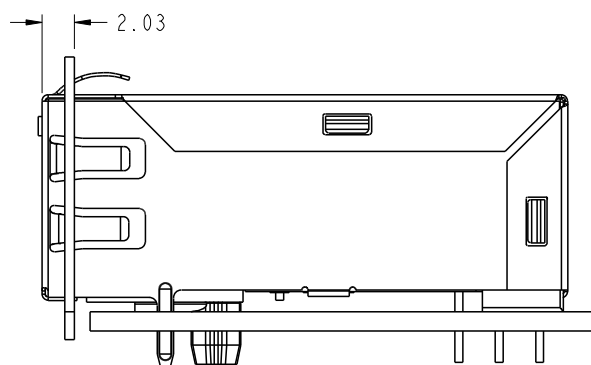


- 3** THE MAGNETICS ARE SYMMETRICAL AND SUPPORT AUTO-MDIX OPERATION.
- 4** OPERATING TEMPERATURE: 0°C TO 70°C
- 5** LEDS ARE DRIVEN WITH CONSTANT CURRENT AT APPROX 20mA.
 LED COLOR: DOMINANT WAVELENGTH (λD): GREEN 568 nm TYP. at IF=20mA
 FORWARD VOLTAGE (VF): GREEN 2.2V TYP. at IF=20mA
 DOMINANT WAVELENGTH (λD): YELLOW 588 nm TYP. at IF=20mA
 FORWARD VOLTAGE (VF): YELLOW 2.1V TYP. at IF=20mA
 DOMINANT WAVELENGTH (λD): ORANGE 605 nm TYP. at IF=20mA
 FORWARD VOLTAGE (VF): ORANGE 2.1V TYP. at IF=20mA
- 6** RJ45 CAVITY CONFORMS TO FCC RULES AND REGULATION PART 68 SUBPART F.

- 7** TRP CONNECTOR LOGO, PART NUMBER, DATE CODE, COUNTRY OF ORIGIN AND AGENCY APPROVAL MARKING IN APPROXIMATE LOCATION SHOWN. DATE CODE: "YY" IS YEAR, "WW" IS WORK WEEK, "D" IS DAY OF WEEK, WITH SUNDAY=1
- 8** THESE PARTS ARE RECOMMENDED FOR WAVE SOLDERING PROCESS. PREHEAT TEMPERATURE IS 120°C TO 160°C, 120 SECONDS TO 180 SECONDS, PEAK WAVE SOLDERING TEMPERATURE IS 260°C MAX, 10 SECONDS MAX.



SUGGESTED PANEL CUTOUT VS CUSTOMER BOARD

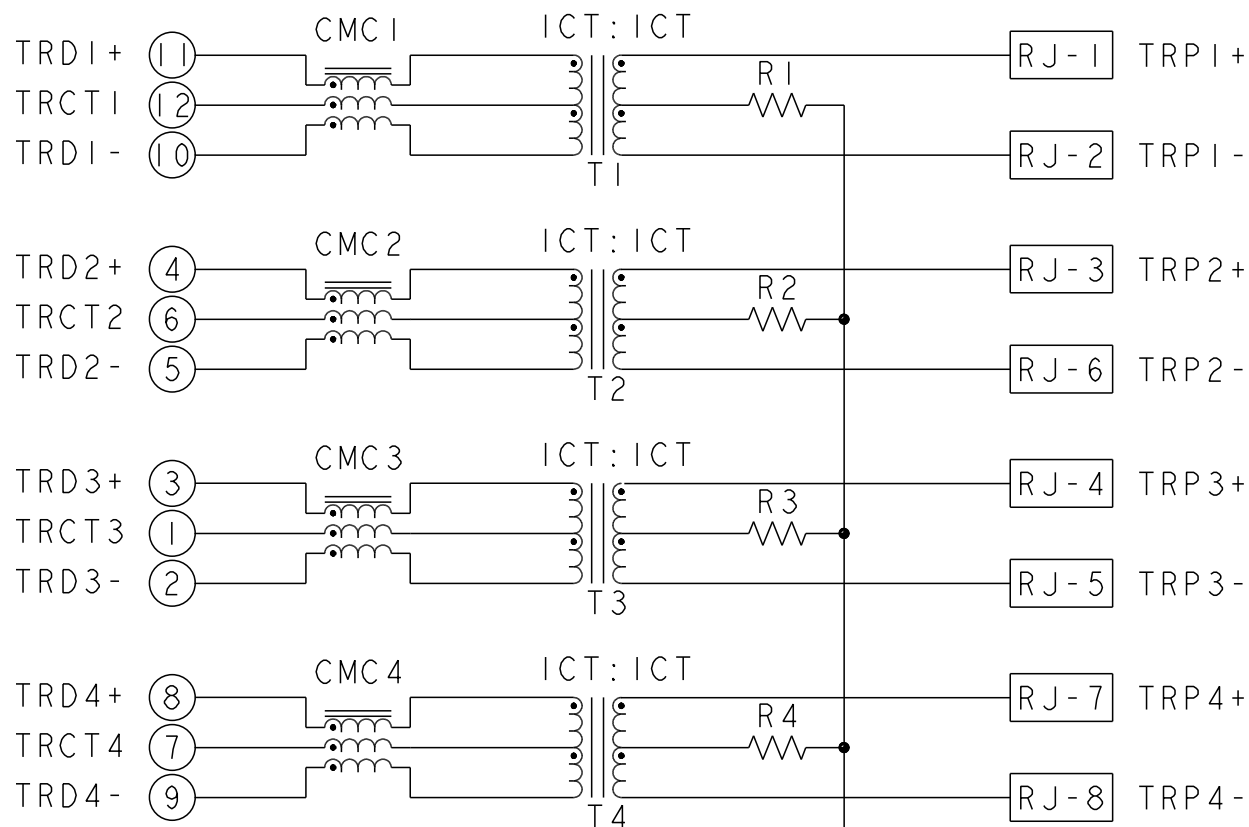


CONNECTOR ASSEMBLED TO PANEL AND PCB

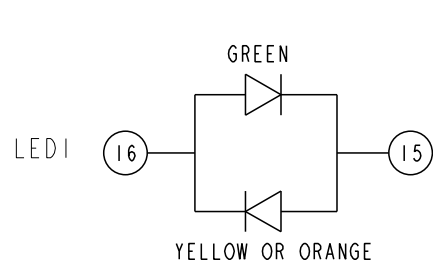
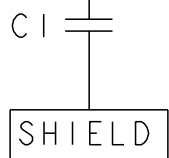
3.56	YELLOW/GREEN	GREEN	1-1840728-5
3.18	GREEN/ORANGE	YELLOW	1-1840728-3
3.18	YELLOW	GREEN	1840728-9
3.18	GREEN	GREEN	1840728-7
3.18	YELLOW/GREEN	YELLOW/GREEN	1840728-6
3.18	YELLOW/GREEN	GREEN	1840728-5
DIM A	LED1	LED2	PART NUMBER

THIS DRAWING IS A CONTROLLED DOCUMENT.		DWN JALU XU 20OCT2006	 TRP connector Dongguan China	
DIMENSIONS: mm		CHK KEITH ZHU 20OCT2006		
TOLERANCES UNLESS OTHERWISE SPECIFIED:		APVD TEDDY XIONG 20OCT2006	NAME 1X1 MAG45 JACK, 1G41 GIGABIT SHIELDED WITH LEDS	
0 PLC ±0.25	1 PLC ±0.25	PRODUCT SPEC 108-2100	SIZE A2	CAGE CODE C=1840728
2 PLC ±0.25	3 PLC ±0.25	APPLICATION SPEC	DRAWING NO RESTRICTED TO	
4 PLC ±0.25	ANGLES ±	MATERIAL	WEIGHT	SCALE NTS
FINISH		CUSTOMER DRAWING		SHEET 1 OF 2
				REV A

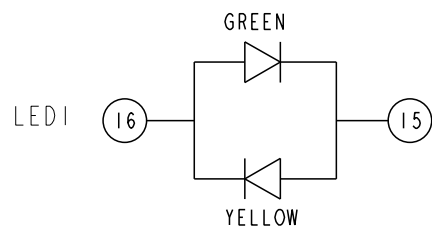
IG41 GIGABIT CIRCUIT $\triangle\triangle$



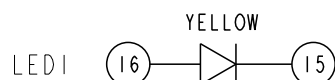
R1-R4=75 Ohms, 1/16W, 5% RESISTORS
 C1=1000pF, 3kV CAPACITOR



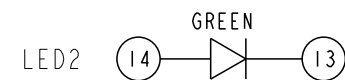
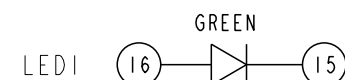
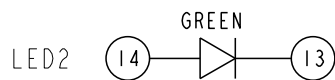
LED CONFIGURATION
 FOR 1-1840728-3
 1840728-5
 1-1840728-5



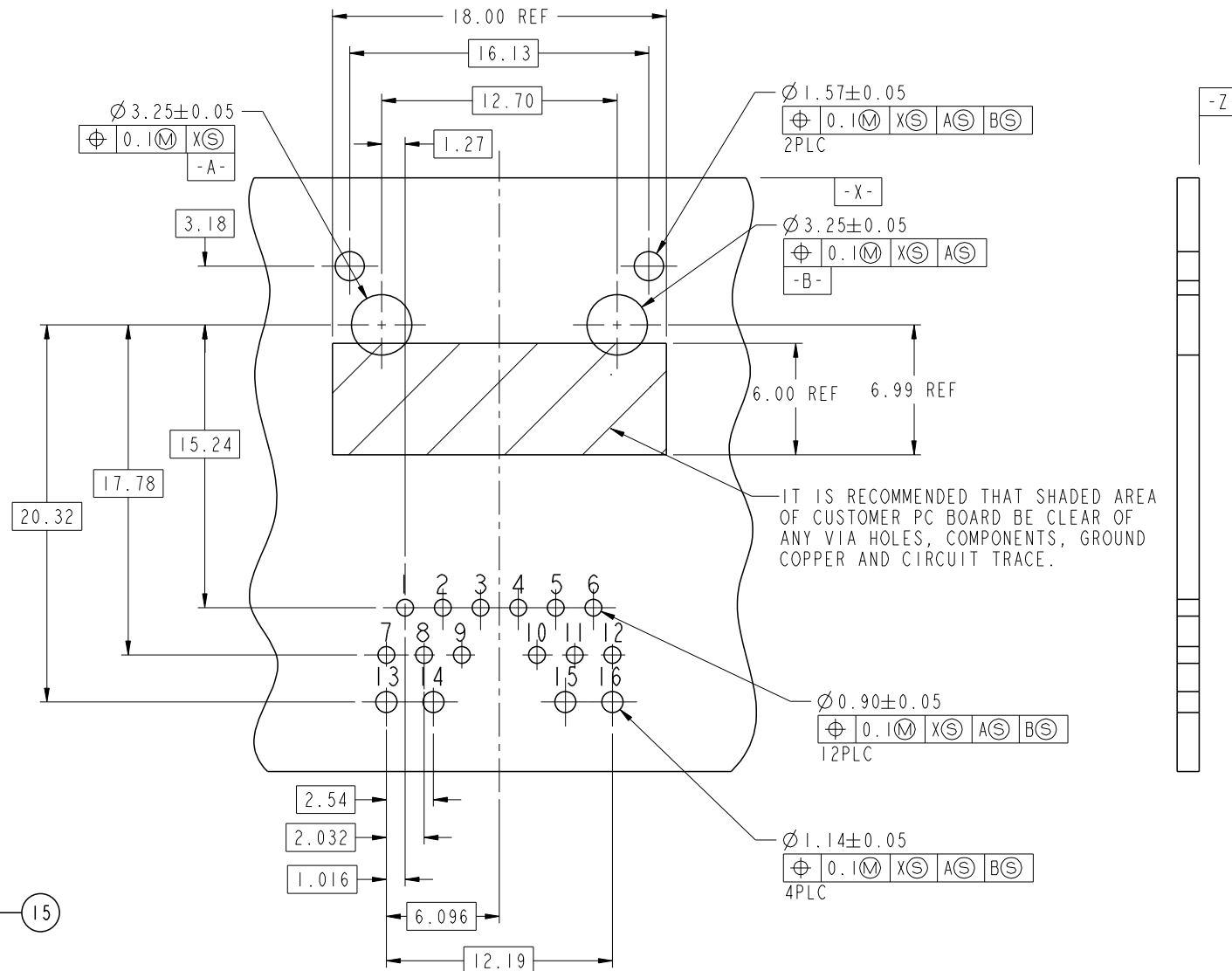
LED CONFIGURATION
 FOR 1840728-6 ONLY



LED CONFIGURATION
 FOR 1840728-9 ONLY



LED CONFIGURATION
 FOR 1840728-7 ONLY



SUGGESTED CUSTOMER PCB
 COMPONENT SIDE
 SCALE 2:1

THIS DRAWING IS A CONTROLLED DOCUMENT.		DWN JALU XU 200CT2006	 TRP connector Dongguan China	
DIMENSIONS: mm		CHK KEITH ZHU 200CT2006		
TOLERANCES UNLESS OTHERWISE SPECIFIED:		APVD TEDDY XIONG 200CT2006	NAME IXI MAG45 JACK, IG41 GIGABIT SHIELDED WITH LEDS	
0 PLC ±0.25		PRODUCT SPEC 108-2100	SIZE A2	CAGE CODE
1 PLC ±0.25		APPLICATION SPEC	DRAWING NO C=1840728	RESTRICTED TO
2 PLC ±0.25		WEIGHT	SHEET 2 OF 2	
3 PLC ±0.25		CUSTOMER DRAWING	REV A	
4 PLC ±0.25		SCALE NTS		
ANGLES ±				
FINISH				