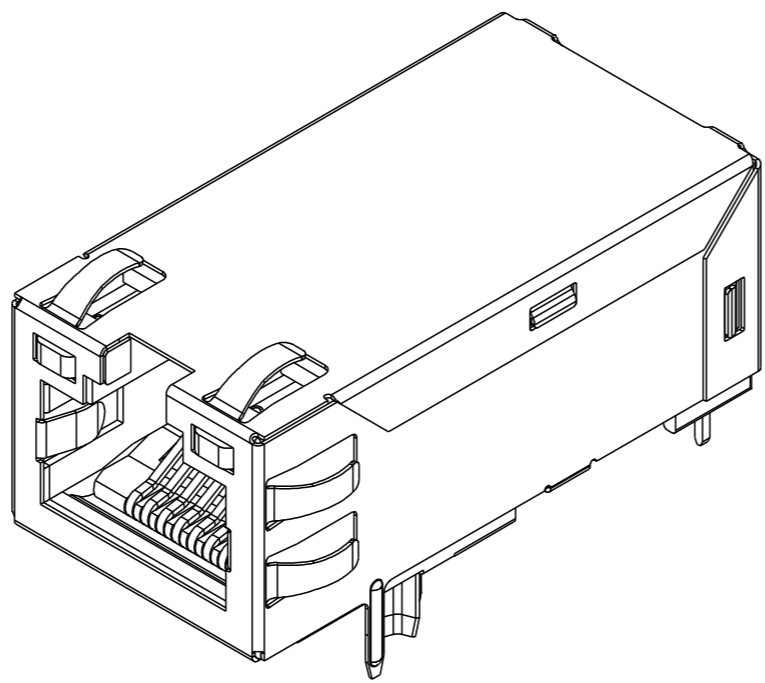
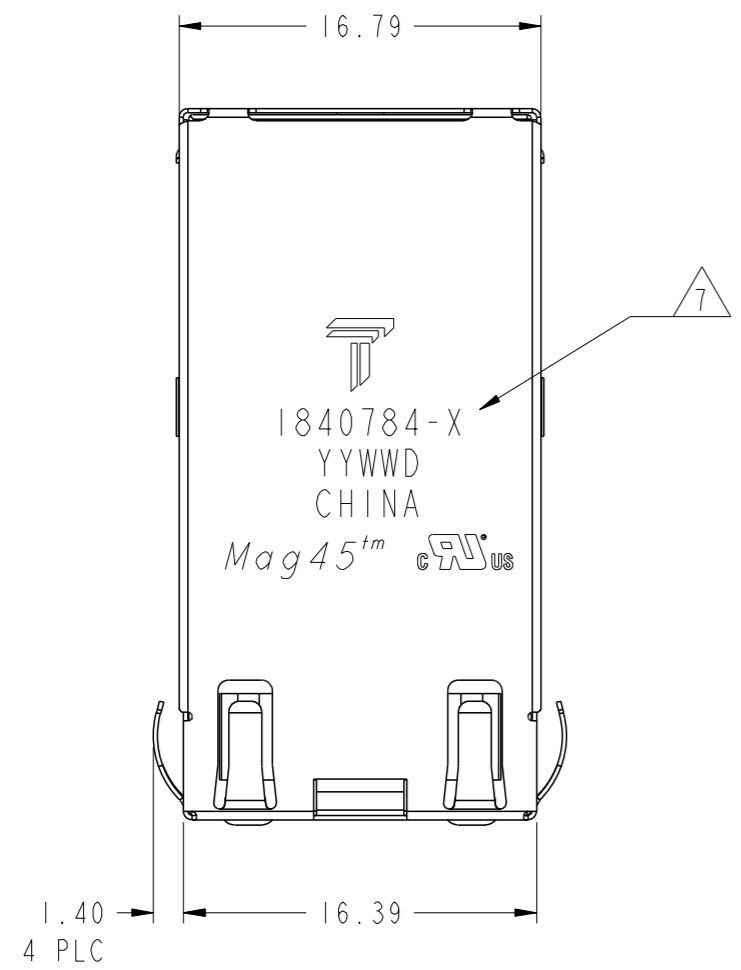


REVISIONS				
P	LTR	DESCRIPTION	DATE	DWN APVD
9		LOGO CHANGE	17APR2013	RL KZ



1 MATERIALS
 HOUSING: THERMOPLASTIC, BLACK, FLAMMABILITY RATING UL 94V-0
 SHIELD: BRASS, 0.20mm THICK, PREPLATED WITH MIN 0.76um SEMI-BRIGHT NICKEL
 POST DIPPED WITH 2.54um MIN SAC SOLDER AT GROUND PINS.
 CONTACT: PHOSPHOR BRONZE, 0.46mm X0.30mm
 WITH 1.27um MIN OVERALL NICKEL UNDERPLATE AND
 SELECTIVE 1.27um MIN GOLD PLATING AT MATING INTERFACE
 SOLDER TAIL: 0.25mm THICK, PHOSPHOR BRONZE, 1.27um MIN OVERALL NICKEL
 UNDERPLATE, 3um MIN TIN PLATE
 LIGHT PIPE: POLYCARBON, TRANSPARENT, RATING UL 94V-0
 LED: DIFFUSED EPOXY LENS, CARBON STEEL WIREFRAME LEADS
 PREPLATED WITH 2.03um MIN SILVER OVER 1.02um MIN NICKEL UNDERPLATE
 OVER 1.02um MIN COPPER UNDERPLATE; POST PLATED WITH 2.54um MIN MATTE TIN.

2 MAGNETICS
 -APPLICATION: 10/100/1000 BASE-T
 -IMPEDANCE: 100 OHMS
 -TURNS RATIO (CHIP:CABLE): 1:1 ALL FOUR PAIRS
 -OPEN CIRCUIT INDUCTANCE (OCL): 350uH MIN @100kHz, 0.1VRMS,
 8mA DC BIAS FROM 0°C TO 70°C, ALL FOUR PAIRS
 -ALL FOUR PAIRS BI-DIRECTIONAL
 -PERFORMANCE @ 25°C:
 INSERTION LOSS (IL): 1.1dB MAX FROM 0.5MHz TO 100MHz
 RETURN LOSS (RL): 18dB MIN FROM 0.5MHz TO 40MHz
 12-20LOG(f/80)dB MIN FROM 40.1MHz TO 100MHz
 CROSSTALK ATTENUATION: 35dB MIN FROM 0.5MHz TO 40MHz
 33-20LOG(f/50)dB MIN FROM 40.1MHz TO 100MHz
 COMMON MODE REJECTION RATIO (CMRR): 30dB MIN FROM 0.5MHz TO 100MHz
 -ISOLATION VOLTAGE: 2250VDC (MAX) FOR 60 SECONDS WITH A RISE TIME OF 500V/SEC

3 THE MAGNETIC CIRCUIT ON ALL FOUR CHANNELS IS SYMMETRICAL AND SUPPORTS AUTO-MDIX OPERATION.

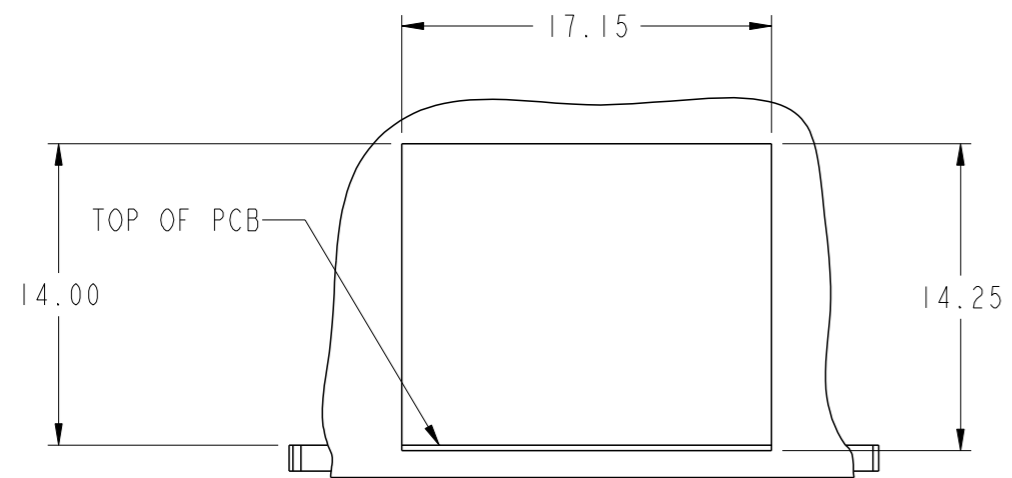
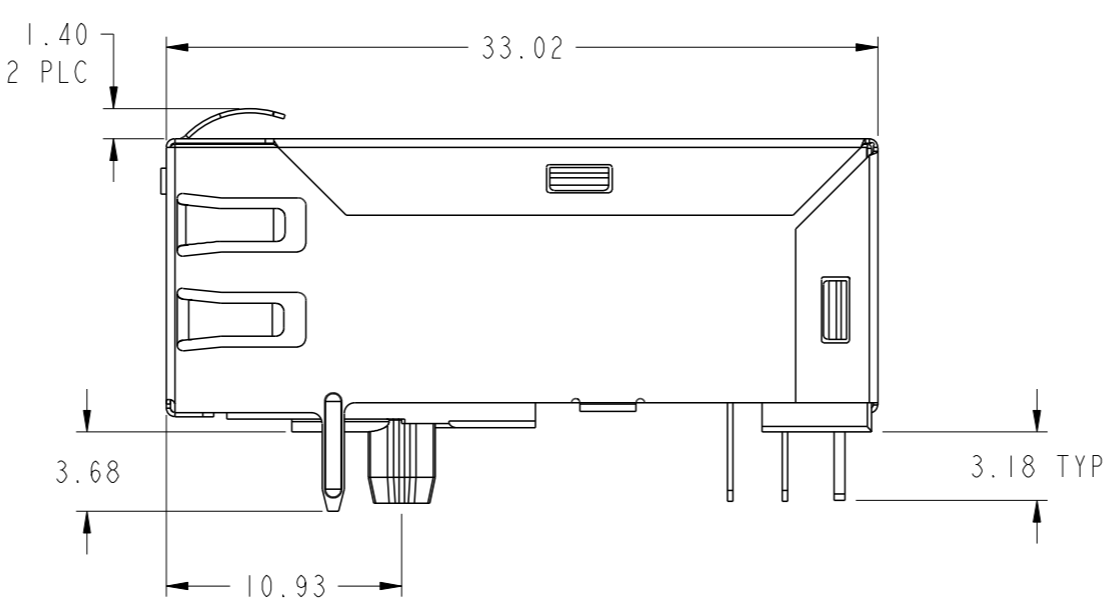
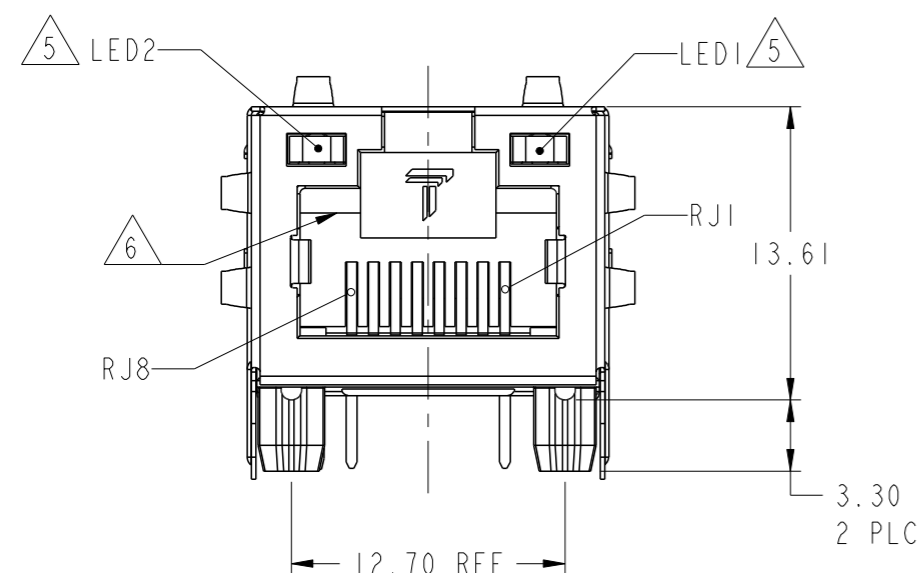
4. OPERATING TEMPERATURE: 0°C ~ 70°C

5 LEDS ARE DRIVEN WITH CONSTANT CURRENT AT APPROX 20mA.
 LED COLOR: DOMINANT WAVELENGTH (λD): GREEN 568 nm TYP. at IF=20mA
 FORWARD VOLTAGE (VF): GREEN 2.2V TYP. at IF=20mA
 DOMINANT WAVELENGTH (λD): ORANGE 605 nm TYP. at IF=20mA
 FORWARD VOLTAGE (VF): ORANGE 2.1V TYP. at IF=20mA

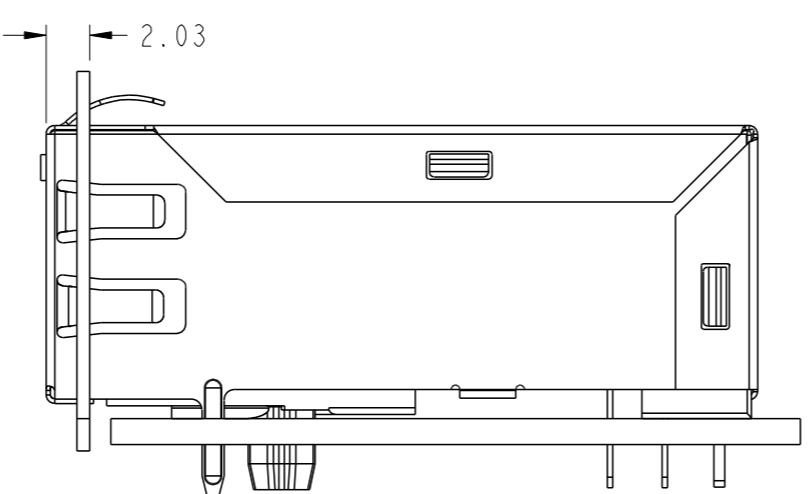
6 RJ45 CAVITY CONFORMS TO FCC RULES AND REGULATION PART 68 SUBPART F.

7 TRP CONNECTOR LOGO, PART NUMBER, DATE CODE, COUNTRY OF ORIGIN, AGENCY APPROVAL MARKING IN APPROPRIATE LOCATION SHOWN.
 DATE CODE: YYWWD "YY" IS YEAR, "WW" IS WORK WEEK, "D" IS DAY OF WEEK, WITH SUNDAY=1.

8. THESE PART ARE RECOMMENDED FOR WAVE SOLDERING PROCESS, PEAK WAVE SOLDERING TEMPERATURE IS 260°C, 10sec MAX.



SUGGESTED PANEL CUTOUT VS CUSTOMER BOARD

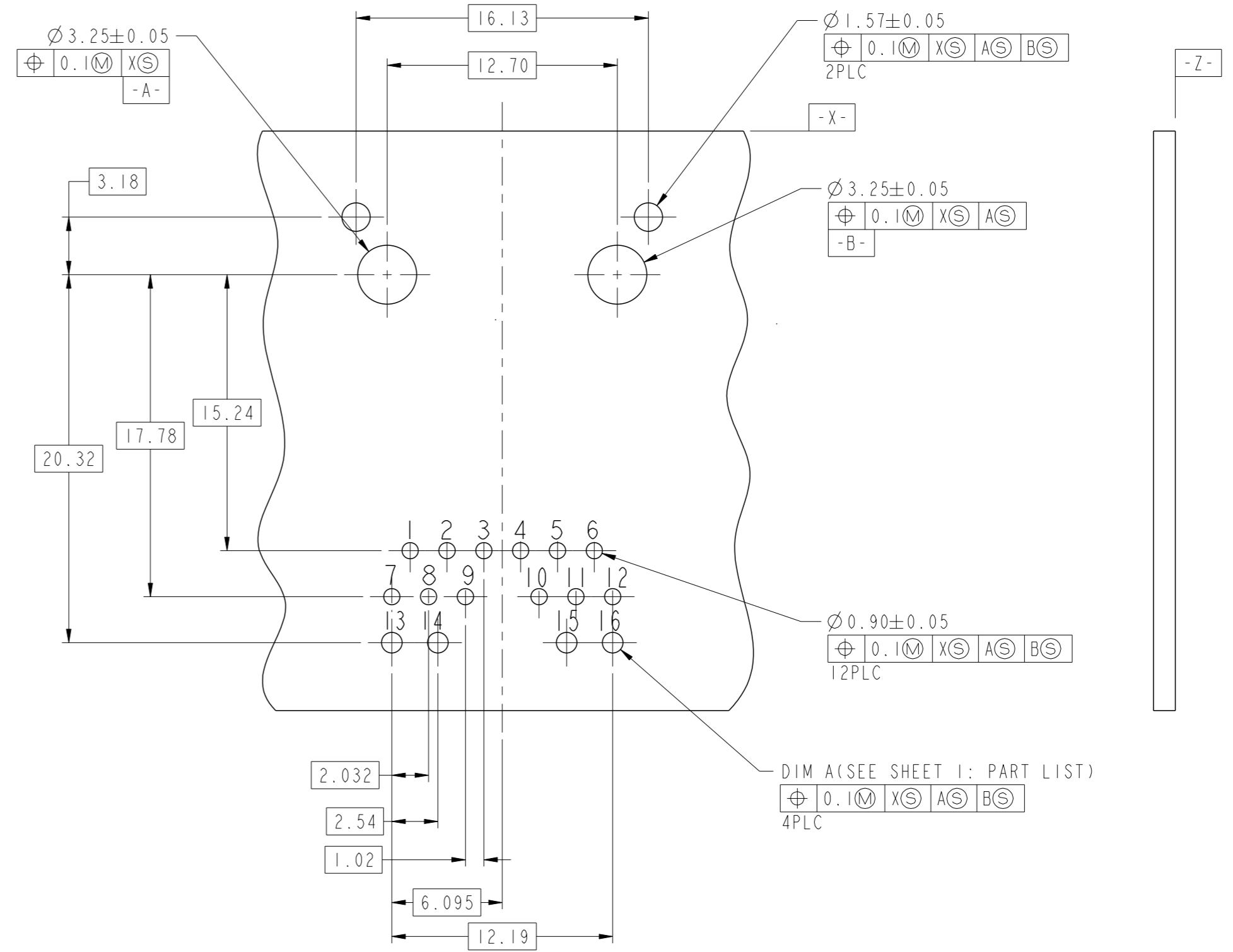
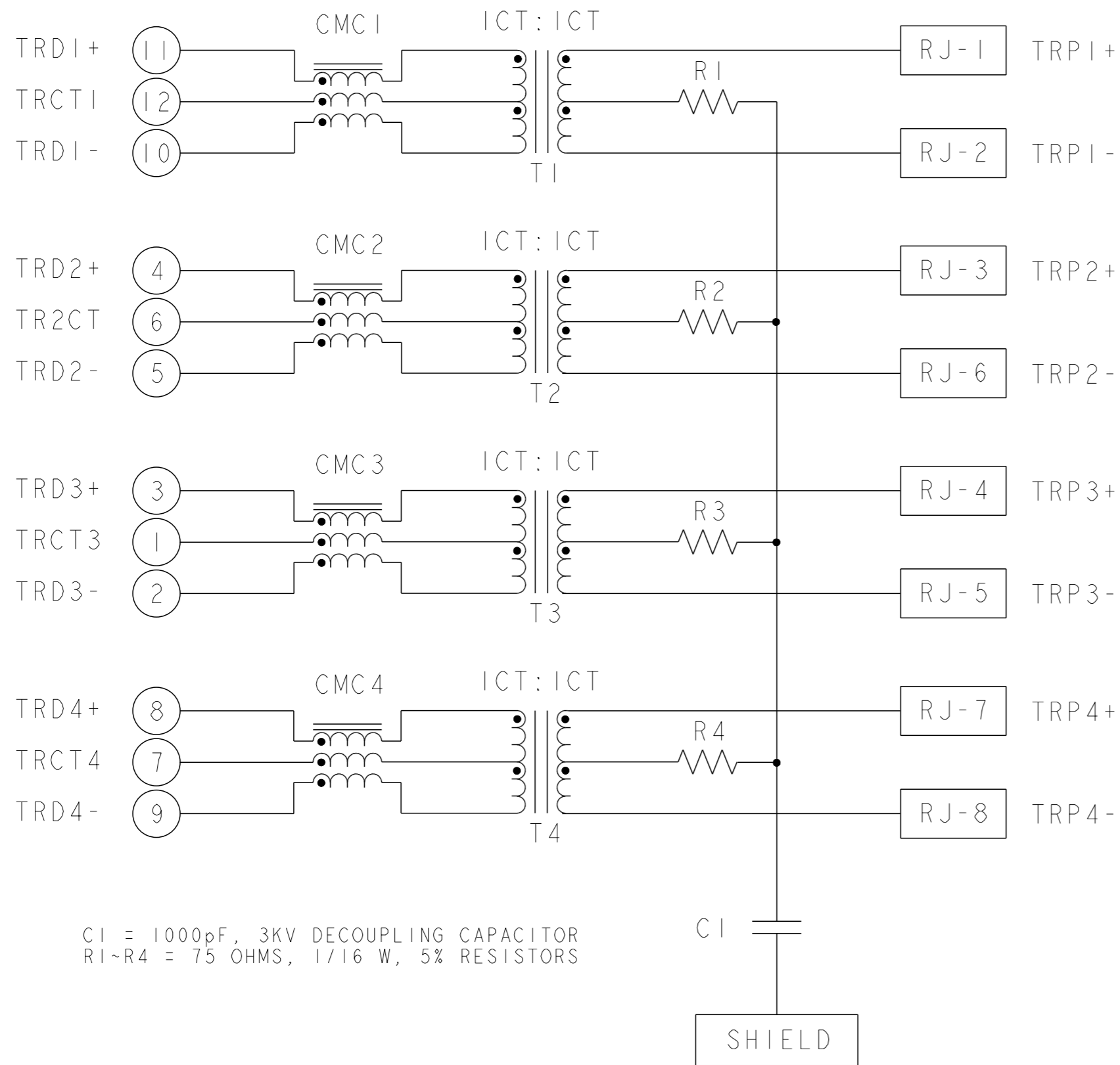


CONNECTOR ASSEMBLED TO PANEL AND PCB

Ø0.90±0.05	GREEN	GREEN/ORANGE	1-1840784-1
Ø1.14±0.05	GREEN	GREEN/ORANGE	1840784-1
DIM A	LED1	LED2	PART NUMBER

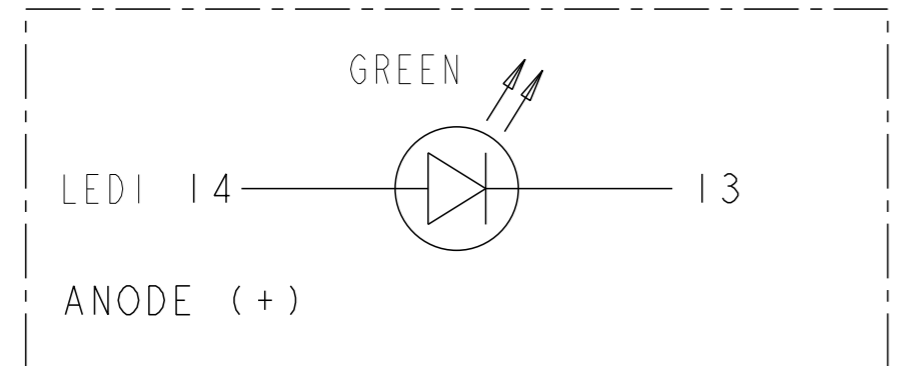
THIS DRAWING IS A CONTROLLED DOCUMENT.		DWN	ALEX WANG	23-FEB-10	TRP connector Dongguan China
DIMENSIONS: mm		CHK	TONG YUAN	23-FEB-10	
TOLERANCES UNLESS OTHERWISE SPECIFIED:		APVD	KEITH ZHU	23-FEB-10	
0 PLC ± 1 PLC ± 2 PLC ±0.25 3 PLC ± 4 PLC ± ANGLES ± FINISH		PRODUCT SPEC	NAME		
MATERIAL		APPLICATION SPEC	IXI MAG45(TM) MODULAR JACK 7G4I GIGABIT CIRCUIT, WITH LEDS		RESTRICTED TO
		WEIGHT	SIZE	CAGE CODE	DRAWING NO
		A2	C=1840784		SCALE
CUSTOMER DRAWING		SCALE		NTS	SHEET 1 OF 2
					REV 9

7G41 GIGABIT CIRCUIT $\triangle_2 \triangle_3$

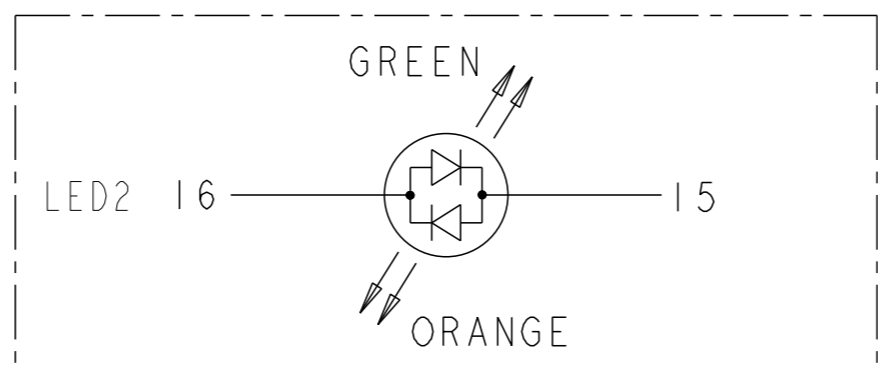


SUGGESTED CUSTOMER PCB COMPONENT SIDE SCALE 4:1

SINGLE COLOR LED



BI-COLOR LED



LED CONFIGURATION

THIS DRAWING IS A CONTROLLED DOCUMENT.		DWN: ALEX WANG 23-FEB-10	TRP connector Dongguan China
DIMENSIONS: mm		CHK: TONG YUAN 23-FEB-10	
TOLERANCES UNLESS OTHERWISE SPECIFIED:		APVD: KEITH ZHU 23-FEB-10	
0 PLC	±	PRODUCT SPEC	NAME: IXI MAG45(TM) MODULAR JACK 7G41 GIGABIT CIRCUIT, WITH LEDS
1 PLC	±	APPLICATION SPEC	SIZE: A2
2 PLC	±0.25	WEIGHT	CAGE CODE: C=1840784
3 PLC	±	CUSTOMER DRAWING	DRAWING NO: 1840784
4 PLC	±	SCALE: NTS	SHEET 2 OF 2
ANGLES	±		REV 9
FINISH	±		