

4

3

2

1

© COPYRIGHT BY TRP CONNECTOR ALL RIGHTS RESERVED.

REVISIONS

P	LTR	DESCRIPTION	DATE	DWN	APVD
E		LOGO CHANGE	07APR2013	PP	KZ

MECHANICAL:

Top view dimensions: .850 MAX, .620, .640, .735 MAX, .555, .600±0.010, .145±.010 2 PLC, .425, .130±.010, .020.

Side view dimensions: .660^{+0.015}/_{-.000}, .575^{+0.015}/_{-.000}, .010.

Callouts: RJ-1, RJ-8, LED1, LED2, 1, 10, 2, 5, 9, 7, 1840480-X, YWWD, CHINA, Mag45™.

Suggested Panel Cutout

⚠ MATERIALS:
 HOUSING - THERMOPLASTIC PA46 TE250F6 POLYESTER FLAMMABILITY RATING UL 94V-0.
 SHIELD - .010" THICK, C26800 BRASS PREPLATED WITH 30μINCH SEMI-BRIGHT NICKEL. SOLDER TABS POST DIPPED WITH 100μINCH MIN SAC SOLDER.
 MOD JACK CONTACTS - 0.0157 X 0.018" PHOSPHOR BRONZE, 50μINCH MIN OVERALL NICKEL UNDERPLATE, WITH SELECT 50μINCH MIN HARD GOLD FINISH PLATE SOLDER TAILS WITH 100μINCH MIN MATTE TIN AND/OR SAC SOLDER DIP.
 LIGHT EMITTING DIODE(LED) - DIFFUSED EPOXY LENS, .020" x .020" CARBON STEEL WIREFRAME LEADS PRE-PLATED WITH 80μINCH SILVER OVER 40μINCH NICKEL UNDERPLATE OVER 40μINCH COPPER UNDERPLATE. POST-PLATED WITH 100μINCH MIN MATTE TIN AND/OR SAC SOLDER DIP OR PURE TIN SOLDER DIP.

⚠ RJ45 JACK CAVITY CONFORMS TO FCC RULES AND REGULATIONS PART 68, SUB PART F.

⚠ MAGNETICS
 -APPLICATION: 10/100/1000 BASE-T
 -IMPEDANCE: 100 OHMS
 -TURNS RATIO (CHIP:CABLE): 1:1 ALL FOUR PAIRS
 -OPEN CIRCUIT INDUCTANCE (OCL): 350μH MIN @100kHz, 0.1VRMS, 8mADC BIAS FROM 0 TO 70 , ALL FOUR PAIRS
 -ALL FOUR PAIRS BI-DIRECTIONAL
 -PERFORMANCE @ 25 :
 INSERTION LOSS (IL): 1.1dB MAX FROM 0.5MHz TO 100MHz
 RETURN LOSS (RL): 18dB MIN FROM 0.5MHz TO 4.0MHz
 12-20LOG(f/80)dB MIN FROM 40.1MHz TO 100MHz
 CROSSTALK ATTENUATION: 35dB MIN FROM 0.5MHz TO 40MHz
 33-20LOG(f/50)dB MIN FROM 40.1MHz TO 100MHz
 COMMON MODE REJECTION RATIO (CMRR): 30dB MIN FROM 0.5MHz TO 100MHz
 - ISOLATION VOLTAGE:2250VDC (MAX) FOR 60 SECONDS WITH A RISE TIME OF 500V/SEC.

4. OPERATING TEMPERATURE: FROM 0°C TO +70°C.

⚠ LEDS WITHOUT BUILT-IN RESISTOR
 LEDS ARE DRIVEN WITH CONSTANT CURRENT AT APPROX 20 mA
 LED COLOR: DOMINANT WAVELENGTH (λD): GREEN 568 nm TYP @ IF=20 mA
 FORWARD VOLTAGE (VF): GREEN 2.2V TYP @ IF=20 mA
 DOMINANT WAVELENGTH (λD): YELLOW 588 nm TYP @ IF=20 mA
 FORWARD VOLTAGE (VF): YELLOW 2.1V TYP @ IF=20 mA

⚠ INDICATED MAGNETIC CONNECTIONS ARE SYMMETRICAL TO SUPPORT AUTO-MDI/MDIX.

⚠ TRP CONNECTOR LOGO, PART NUMBER, DATE CODE, COUNTRY OF ORIGIN AND AGENCY APPROVAL MARKING IN APPROXIMATE LOCATION SHOWN.

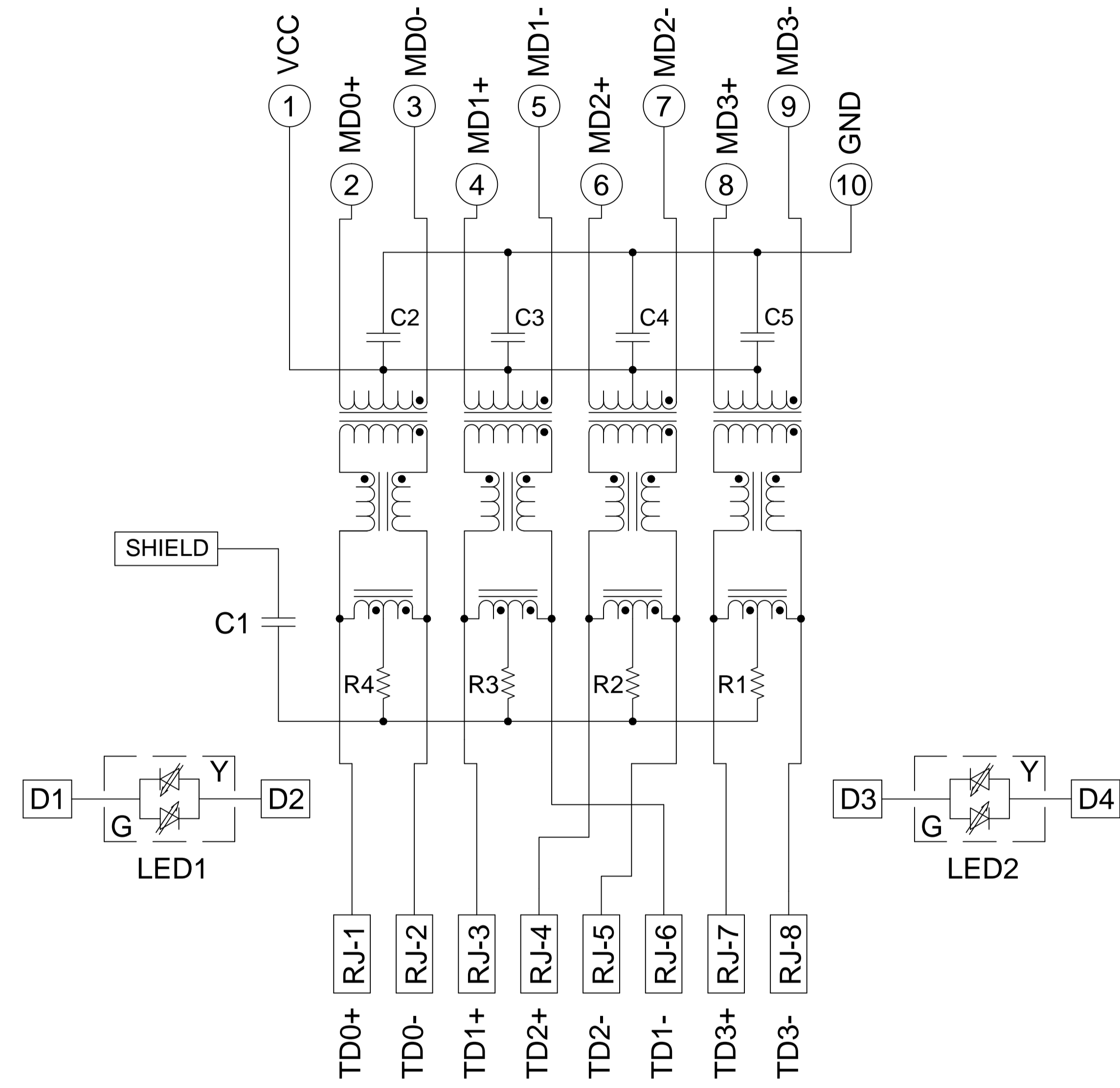
8. THE PART IS COMPLIANT TO BOTH WAVE SOLDERING PROCESS, PREHEAT TEMPERATURE IS 150°C ABOVE, 120 SECONDS TO 180 SECONDS, PEAK SOLDERING TEMPERATURE IS 265 °C MAX, 10 SECONDS MAX, AND IR REFLOW SOLDERING PROESS, PEAK SOLDERING TEMPERATURE 260°C MAX DURATION TIME 10 SECONDS MAX, OVER 230 °C WITHIN 40 SECONDS TO 60 SECONDS.

⚠ LED LENS ARE RECESSED TO SHIELD SURFACE

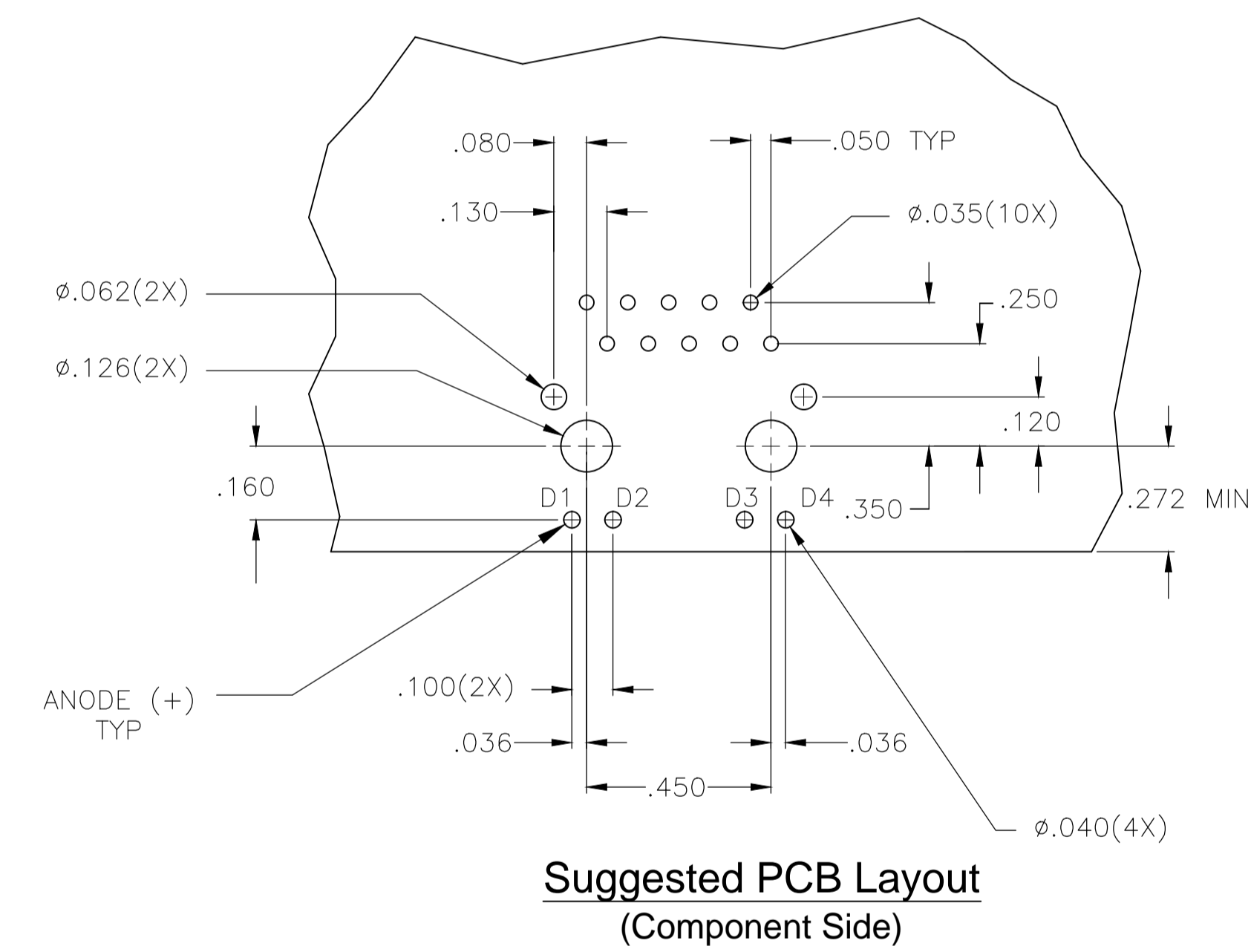
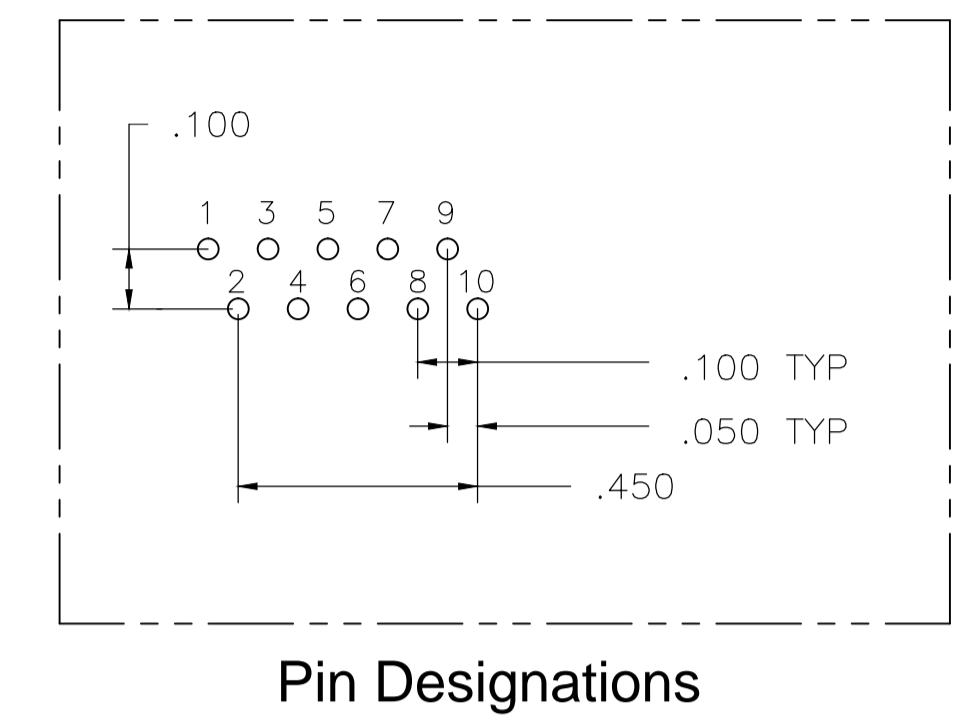
THIS DRAWING IS A CONTROLLED DOCUMENT.		DWN	25AUG2009	GREEN/YELLOW	GREEN/YELLOW	1840480-6																					
		CHK	25AUG2009	LED1	LED2	PART NUMBER																					
		APVD	25AUG2009	TRP connector Dongguan China																							
DIMENSIONS: INCHES		TOLERANCES UNLESS OTHERWISE SPECIFIED:																									
<table border="1"> <tr><td>0 PLC</td><td>±</td><td>-</td></tr> <tr><td>1 PLC</td><td>±</td><td>-</td></tr> <tr><td>2 PLC</td><td>±</td><td>.010</td></tr> <tr><td>3 PLC</td><td>±</td><td>.005</td></tr> <tr><td>4 PLC</td><td>±</td><td>-</td></tr> <tr><td>ANGLES</td><td>±</td><td>-</td></tr> <tr><td>FINISH</td><td>±</td><td>-</td></tr> </table>		0 PLC	±	-	1 PLC	±	-	2 PLC	±	.010	3 PLC	±	.005	4 PLC	±	-	ANGLES	±	-	FINISH	±	-	PRODUCT SPEC 108-104004		NAME 1X1 MAG45(TM), 4G4P1 GIGABIT ETHERNET SCHEMATIC (10 PIN FOOTPRINT), 4G05P1 SERIES MAGNETIC CIRCUIT, SHIELDED, WITH LEDS		
0 PLC	±	-																									
1 PLC	±	-																									
2 PLC	±	.010																									
3 PLC	±	.005																									
4 PLC	±	-																									
ANGLES	±	-																									
FINISH	±	-																									
MATERIAL		FINISH		SIZE	CAGE CODE	DRAWING NO	RESTRICTED TO																				
⚠		⚠		A2	00779	C=1840480	-																				
CUSTOMER DRAWING				SCALE	1:1	SHEET	1 OF 2																				
				REV	E																						

ELECTRICAL:

4G05P1 Series GIGABIT Magnetic Circuit



- C1 = 1000 pF, 2kV CAPACITOR
- R1-R4 = 75 OHMS, 1/16 W RESISTORS
- C2-C5 = 0.1uF, 50V, X7R CAPACITORS



THIS DRAWING IS A CONTROLLED DOCUMENT.		DWN VKIN LEE 25AUG2009	 TRP connector Dongguan China
DIMENSIONS: INCHES		CHK QUENTIN LIU 25AUG2009	
TOLERANCES UNLESS OTHERWISE SPECIFIED:		APVD LIJUN RAO 25AUG2009	
0 PLC ± - 1 PLC ± - 2 PLC ± .010 3 PLC ± .005 4 PLC ± - ANGLES ± - MATERIAL - FINISH -		PRODUCT SPEC 108-104004 APPLICATION SPEC - WEIGHT - CUSTOMER DRAWING	
NAME 1X1 MAG45(TM), 4G4P1 GIGABIT ETHERNET SCHEMATIC (10 PIN FOOTPRINT), 4G05P1 SERIES MAGNETIC CIRCUIT, SHIELDED, WITH LEDS		SIZE A2 CAGE CODE 00779 DRAWING NO. C=1840480	RESTRICTED TO - SCALE 1:1 SHEET 2 OF 2 REV E