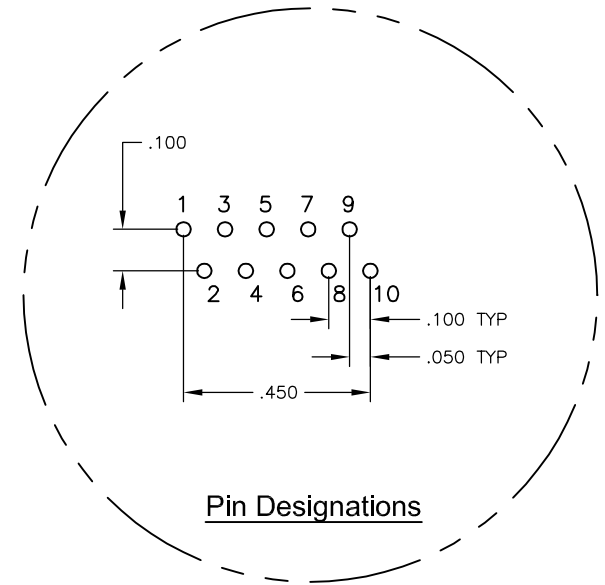
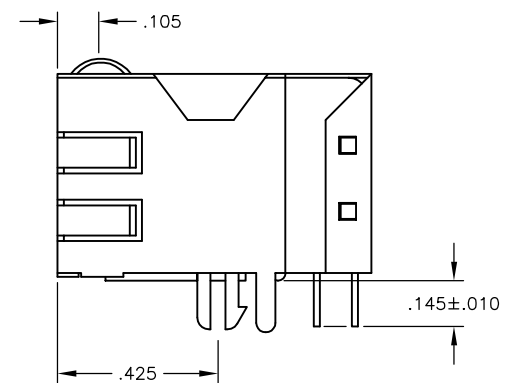
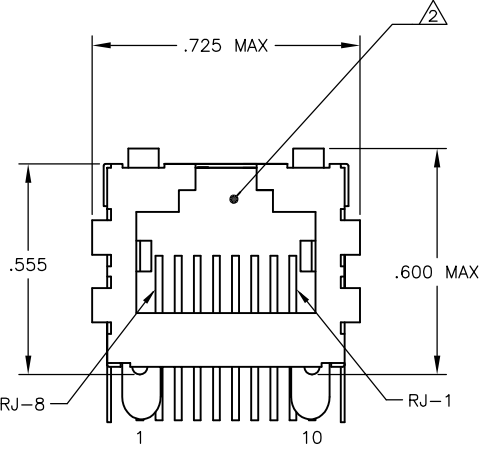
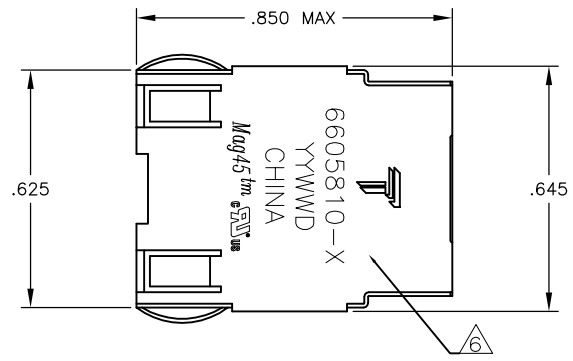
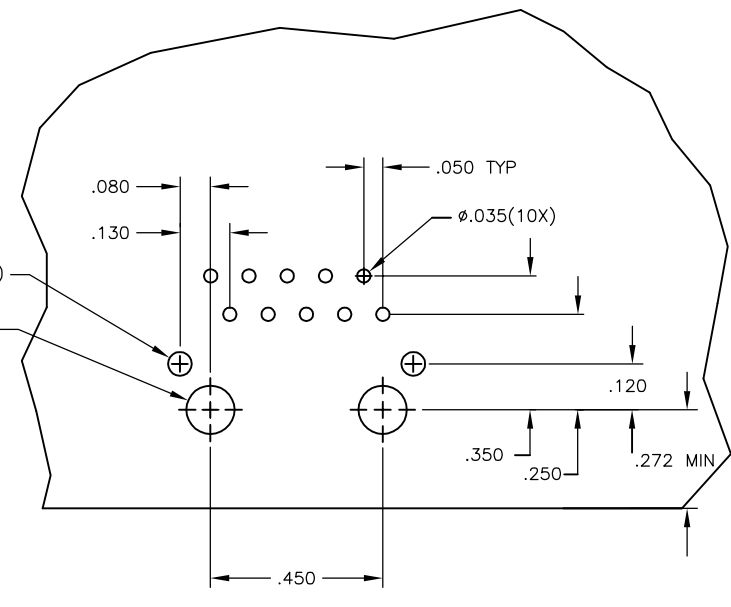


REVISIONS				
#	LNK	DESCRIPTION	DATE	BY / APP'D
E		LOGO CHANGE	07APR2013	QL / KZ

MECHANICAL:



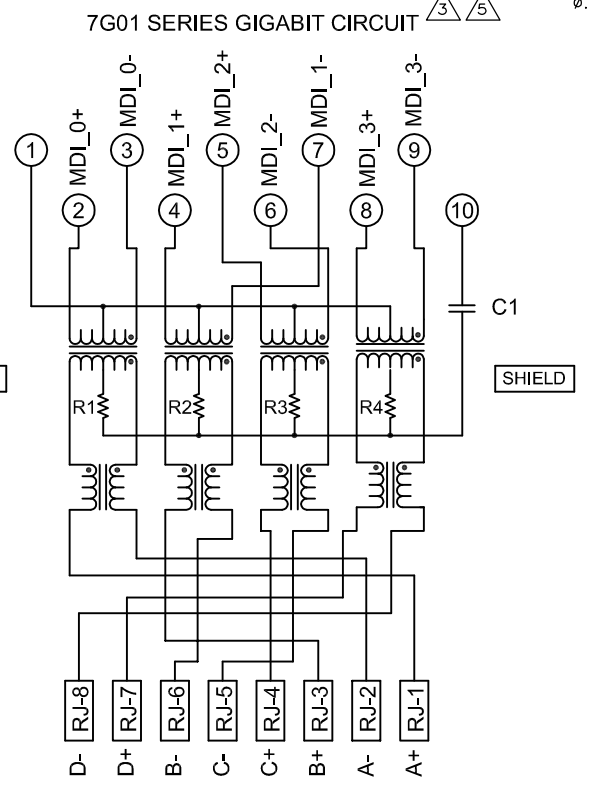
TOP VIEW



**Suggested PCB Layout
(Component Side)**

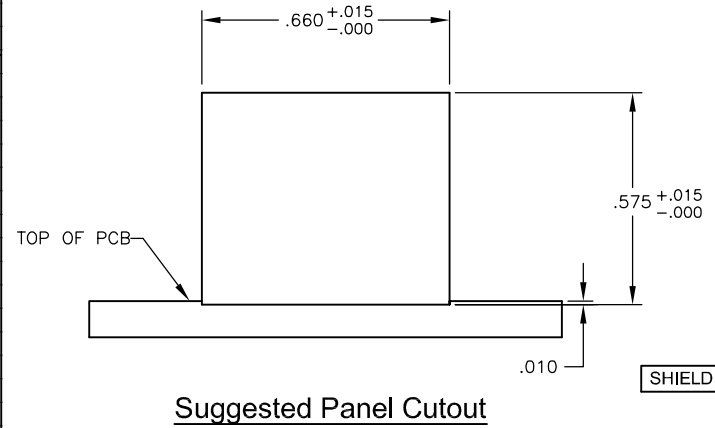
TOP VIEW

ELECTRICAL:



C1 = 1000 pF, 2kV DECOUPLING CAPACITOR
 R1-R4 = 75 OHMS, 1/16 W 5% RESISTORS

- △ MATERIALS:
 - HOUSING - THERMOPLASTIC PET POLYESTER FLAMMABILITY RATING UL 94V-0.
 - SHIELD - .010" THICK, C26800 BRASS PREPLATED WITH 30 μINCH MIN SEMI-BRIGHT NICKEL, SOLDER TABS POST DIPPED WITH 100 μINCH MIN SAC SOLDER.
 - MOD JACK CONTACTS - 0.0157" x 0.018" PHOSPHOR BRONZE, 50 μINCH MIN OVERALL NICKEL UNDERPLATE, WITH SELECT 50 μINCH MIN HARD GOLD FINISH PLATE. SOLDER TAILS WITH 100 μINCH MIN MATTE TIN AND/OR SAC SOLDER DIP.
- △ RJ45 JACK CAVITY CONFORMS TO FCC RULES AND REGULATIONS PART 68, SUB PART F.
- △ MAGNETICS
 - IMPEDANCE: 100 OHMS
 - TURNS RATIO (CHIP:CABLE): 1:1 ALL FOUR PAIRS
 - OPEN CIRCUIT INDUCTANCE (OCL): 350 μH MIN @100kHz, 0.1VRMS, 8mADC BIAS FROM 0iāc TO 70iāc, ALL FOUR PAIRS
 - ALL FOUR PAIRS BI-DIRECTIONAL
 - PERFORMANCE @ 25iāc:
 - INSERTION LOSS (IL): 1.1dB MAX FROM 0.5MHz TO 100MHz
 - RETURN LOSS (RL): 18dB MIN FROM 0.5MHz TO 40MHz
 - 12-20LOG(f/80)dB MIN FROM 40.1MHz TO 100MHz
 - CROSSTALK ATTENUATION: 35dB MIN FROM 0.5MHz TO 40MHz
 - 33-20*LOG(f/50)dB MIN FROM 40.1MHz TO 100MHz
 - COMMON MODE REJECTION RATIO (CMRR): 30dB MIN FROM 0.5MHz TO 100MHz
 - ISOLATION VOLTAGE:2250VDC (MAX) FOR 60 SECONDS WITH A RISE TIME OF 500V/SEC.
- 4. OPERATING TEMPERATURE: FROM 0° TO +70°C.
- △ THE MAGNETICS ARE SYMMETRIC TO SUPPORT AUTO-MDI/MDIX.
- △ TRP CONNECTOR LOGO, PART NUMBER, DATE CODE, COUNTRY OF ORIGIN AND AGENCY APPROVAL MARKING IN APPROXIMATE LOCATION SHOWN.
- 7. THE PART IS RECOMMENDED FOR WAVE SOLDERING PROCESS,PREHEAT TEMPERATURE IS 120°C TO 160°C, 120 SECONDS TO 180 SECONDS,PEAK WAVE SOLDERING TEMPERATURE IS 260°C MAX,10 SECONDS MAX.



Suggested Panel Cutout

6605810-1
 PART NUMBER

THIS DRAWING IS A CONTROLLED DOCUMENT.		DRW: L_VARELA - DOCK5	03MAR2005	TRP connector Dongguan China
DIMENSIONS: INCHES		CHK: D_FAROLE	03MAR2005	
TOLERANCES UNLESS OTHERWISE SPECIFIED:		APD: D_FAROLE	03MAR2005	1X1 MAG45(TM), MODULAR JACK, 7G1 SCHEMATIC, 7G01 SERIES GIGABIT CIRCUIT, SHIELDED, DECOUPLING CAPACITOR, NO LEADS
0 PLC ± -		PRODUCT SPEC: 108-2100	NAME	
1 PLC ± .010		APPLICATION SPEC	SIZE	A1 00779 C=6605810
2 PLC ± .005		RESTRICTED TO	SCALE	
3 PLC ± -			SHEET 1 of 1	REV E
4 PLC ± -				
ANGLES ± -				
MATERIAL	FINISH	WEIGHT		
△	△			
CUSTOMER DRAWING		SCALE	NTS	