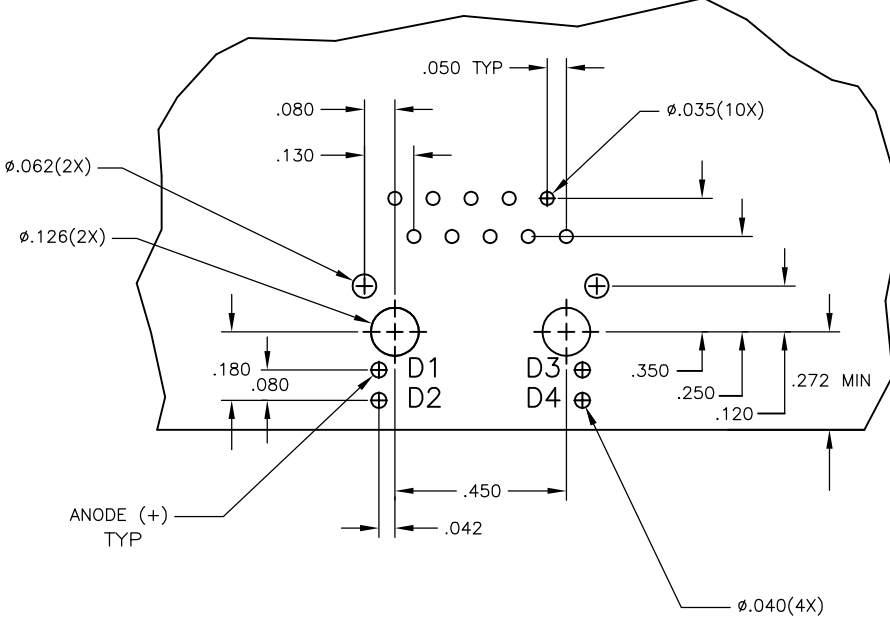
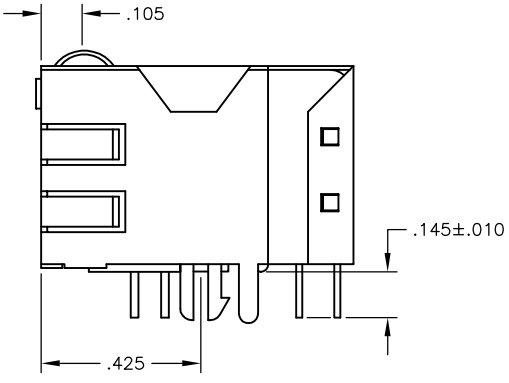
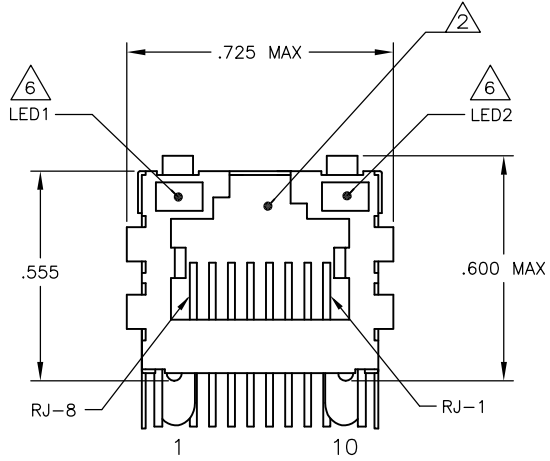
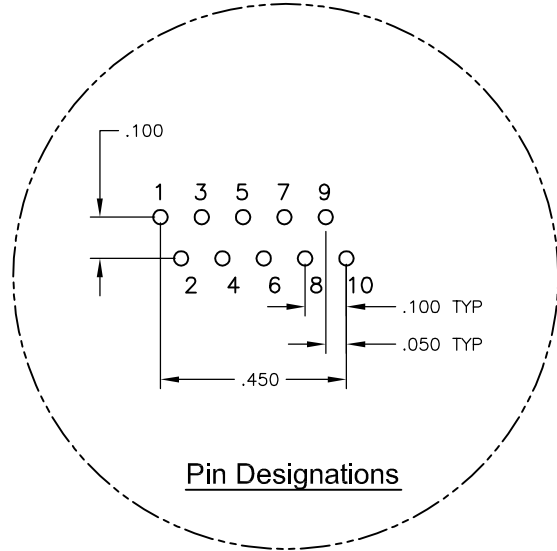
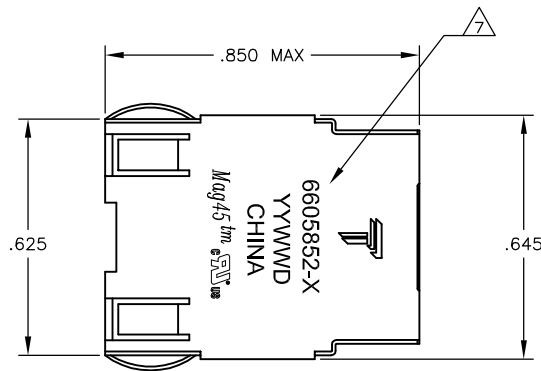


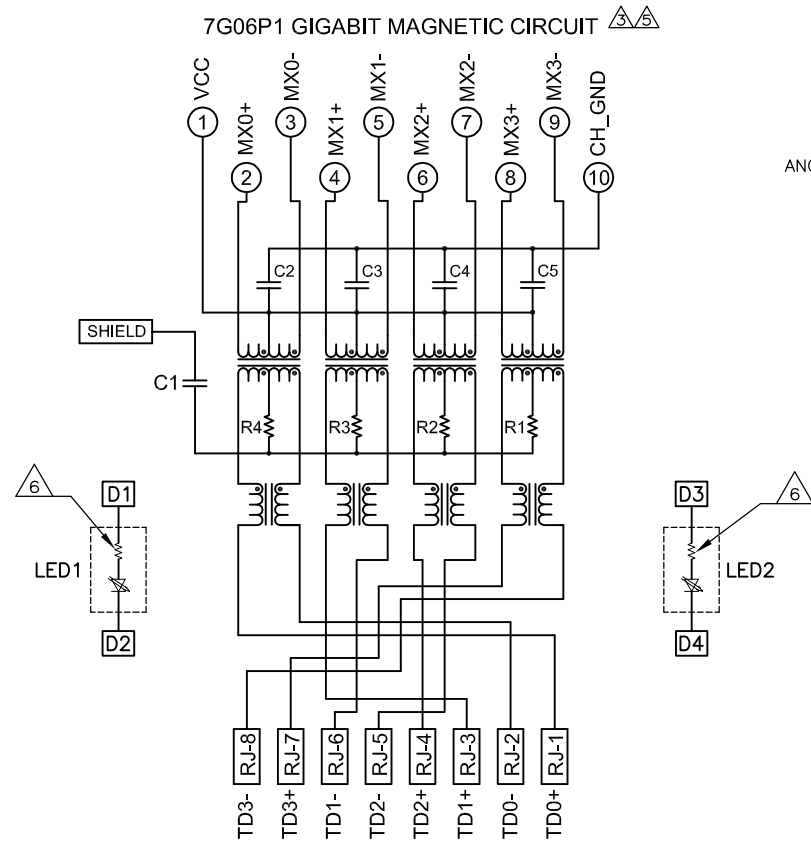
REVISIONS				
#	LN#	DESCRIPTION	DATE	BY / APPD
D		LOGO CHANGE	07APR2013	QL / KZ

**MECHANICAL:**

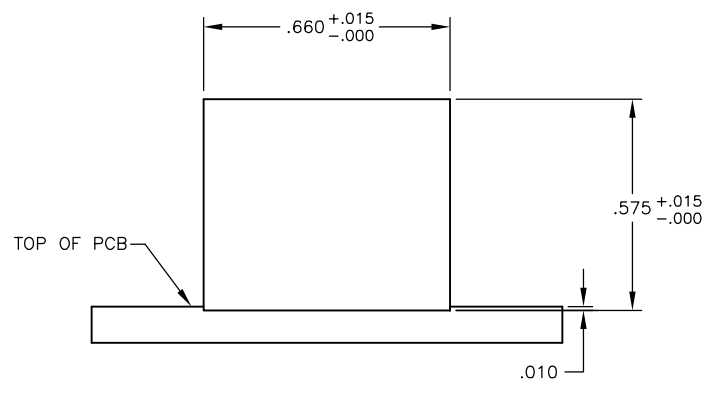


**Suggested PCB Layout**  
(Component Side)

**ELECTRICAL:**



**C1 = 1000 pF, 2kV CAPACITOR**  
**R1-R4 = 75 OHMS, 1/16 W RESISTORS**  
**C2-C5 = 0.1uF, 10%, 50V, X7R CAPACITORS**



**Suggested Panel Cutout**

- MATERIALS:**
- HOUSING - THERMOPLASTIC PET POLYESTER FLAMMABILITY RATING UL 94V-0.
  - SHIELD - .010" THICK, C26800 BRASS PREPLATED WITH 30μINCH MIN SEMI-BRIGHT NICKEL, SOLDER TABS POST DIPPED WITH 100μINCH MIN SAC SOLDER.
  - MOD JACK CONTACTS - 0.0157" x 0.018" PHOSPHOR BRONZE, 50μINCH MIN OVERALL NICKEL UNDERPLATE, WITH SELECT 50μINCH MIN HARD GOLD FINISH PLATE. SOLDER TAILS WITH 100μINCH MIN MATTE TIN AND/OR SAC SOLDER DIP.
  - LIGHT EMITTING DIODE(LED) - DIFFUSED EPOXY LENS, .020" x .020" CARBON STEEL WIREFRAME LEADS PRE-PLATED WITH 80μINCH SILVER OVER 40μINCH NICKEL UNDERPLATE OVER 40μINCH COPPER UNDERPLATE, POST-PLATED WITH 100μINCH MIN MATTE TIN AND/OR SAC SOLDER DIP OR PURE TIN SOLDER DIP.
- RJ45 JACK CAVITY CONFORMS TO FCC RULES AND REGULATIONS PART 68, SUB PART F.**
- MAGNETICS**
- IMPEDANCE: 100 OHMS
  - TURNS RATIO (CHIP: CABLE): 1:1 ALL FOUR PAIRS
  - OPEN CIRCUIT INDUCTANCE (OCL): 350μH MIN @100kHz, 0.1VRMS, 8mADC BIAS FROM 0°C TO 70°C, ALL FOUR PAIRS
  - ALL FOUR PAIRS BI-DIRECTIONAL
  - PERFORMANCE @ 25°C:
    - INSERTION LOSS (IL): 1.1dB MAX FROM 0.5MHZ TO 100MHZ
    - RETURN LOSS (RL): 18dB MIN FROM 0.5MHZ TO 40MHZ
    - 12-20LOG(f/80)dB MIN FROM 40.1MHZ TO 100MHZ
    - CROSSTALK ATTENUATION: 35dB MIN FROM 0.5MHZ TO 40MHZ
    - 33-20\*LOG(f/50)dB MIN FROM 40.1MHZ TO 100MHZ
    - COMMON MODE REJECTION RATIO (CMRR): 30dB MIN FROM 0.5MHZ TO 100MHZ
    - ISOLATION VOLTAGE: 2250VDC (MAX) FOR 60 SECONDS WITH A RISE TIME OF 500V/SEC.
- 4. OPERATING TEMPERATURE: FROM 0°C - +70°C.**
- THE MAGNETICS ARE SYMMETRICAL, AND SUPPORTS AUTO-MDI/MDIX.**
- LEDS WITH BUILT-IN RESISTOR**
- LEDS ARE DRIVEN WITH 5V VOLTAGE AND THE MAX OPERATING CURRENT IS 20mA.  
 LED COLOR: DOMINANT WAVELENGTH (λD): GREEN 568 nm TYP @ VF=5V  
 FORWARD CURRENT (IF): GREEN 12mA TYP @ VF=5V  
 DOMINANT WAVELENGTH (λD): YELLOW 588 nm TYP @ VF=5V  
 FORWARD CURRENT (IF): YELLOW 13mA TYP @ VF=5V
- TRP CONNECTOR LOGO, PART NUMBER, DATE CODE, COUNTRY OF ORIGIN AND AGENCY APPROVAL MARKING IN APPROXIMATE LOCATION SHOWN.**
- 8. THESE PARTS ARE RECOMMENDED FOR WAVE SOLDERING PROCESS, PREHEAT TEMPERATURE IS 120°C TO 160°C, 120 SECONDS TO 180 SECONDS, PEAK WAVE SOLDERING TEMPERATURE IS 260°C MAX, 10 SECONDS MAX.**

GREEN	GREEN	1-6605852-1
YELLOW	GREEN	6605852-2
LED1	LED2	PART NUMBER

THIS DRAWING IS A CONTROLLED DOCUMENT.		DATE: 07MAR2005	BY: VARELA - DOCKS	TRP connector
DIMENSIONS: INCHES		DATE: 07MAR2005	BY: D. FAROLE	Dongguan China
TOLERANCES UNLESS OTHERWISE SPECIFIED:		APPROVAL: D. FAROLE	DATE: 07MAR2005	
0 PLC	± .000	PRODUCT SPEC: 108-2100		NAME: 1X1 MAG45(TM), 7G4P1 GIGABIT ETHERNET SCHEMATIC, 7G06P1 MAGNETIC CIRCUIT, SHIELDED, DECOUPLING CAPACITOR, WITH RESISTOR LEADS SIZE: A1 SCALE: 4:1 SHEET: 1 of 1 REV: D
1 PLC	± .010	APPLICATION SPEC:		
2 PLC	± .020	MATERIAL:		
3 PLC	± .050	FINISH:		
4 PLC	± .009	WEIGHT:		
5 PLC	± .015	CUSTOMER DRAWING		