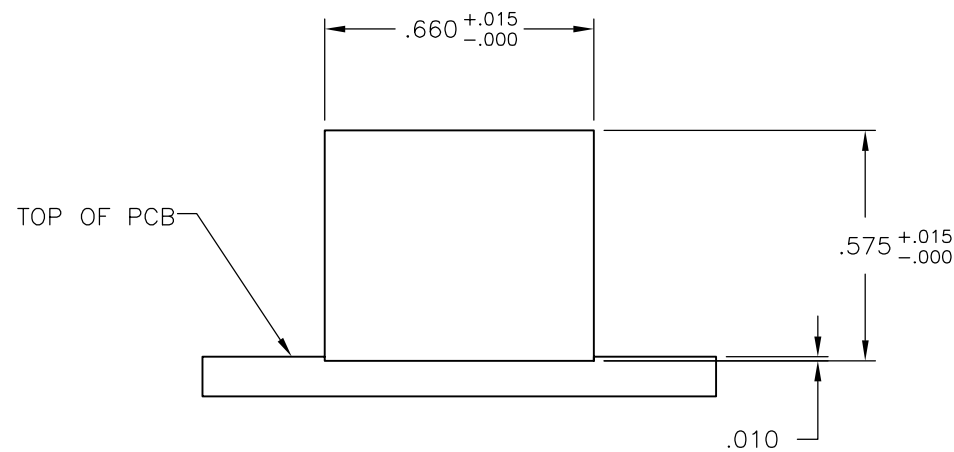
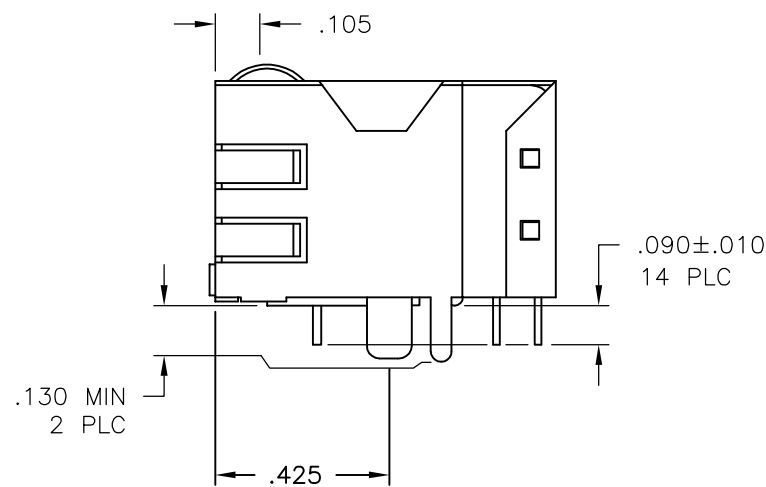
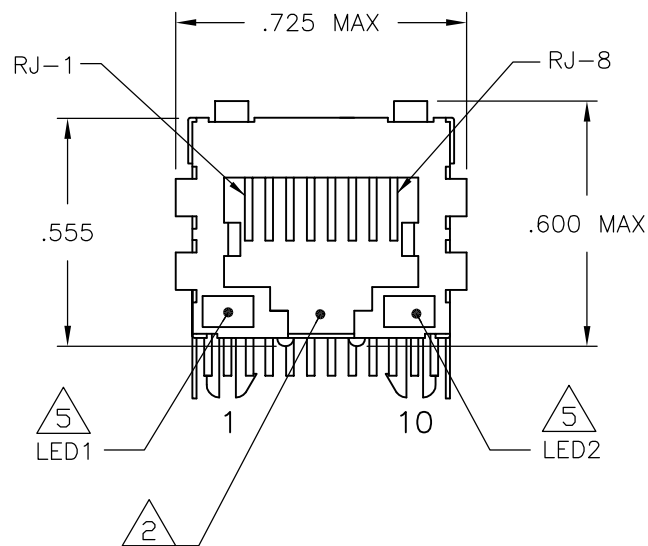
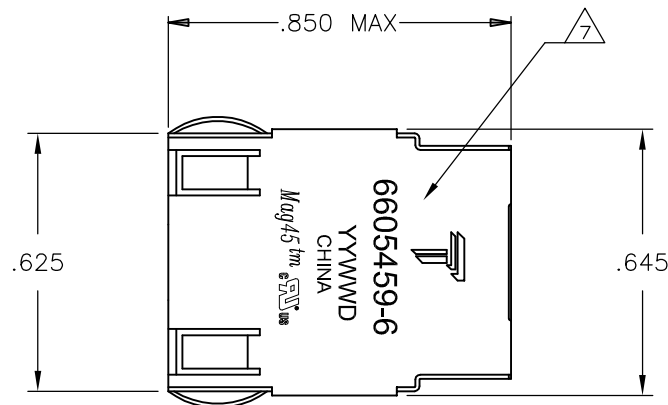


REVISIONS				
P	LTR	DESCRIPTION	DATE	APVD
E		LOGO CHANGE	23APR2013	KZ

**MECHANICAL:**



**Suggested Panel Cutout**

- 1 MATERIALS:  
HOUSING - THERMOPLASTIC PET POLYESTER FLAMMABILITY RATING UL 94V-0.  
SHIELD - .010" THICK, C26800 BRASS PREPLATED WITH 30μINCH MIN SEMI-BRIGHT NICKEL.  
SOLDER TABS POST DIPPED WITH 100μINCH MIN SAC SOLDER.  
MOD JACK CONTACTS - 0.0157 X 0.018" PHOSPHOR BRONZE, 50μINCH MIN OVERALL NICKEL UNDERPLATE WITH SELECT 50μINCH MIN HARD GOLD FINISH PLATE. SOLDER TAILS WITH 100μINCH MIN MATTE TIN AND/OR SAC SOLDER DIP.  
LIGHT EMITTING DIODE(LED) - DIFFUSED EPOXY LENS, .020" X .020" CARBON STEEL WIREFRAME LEADS PRE-PLATED WITH 80μINCH SILVER OVER 40μINCH NICKEL UNDERPLATE OVER 40μINCH COPPER UNDERPLATE. POST-PLATED WITH 100μINCH MIN MATTE TIN AND/OR SAC SOLDER DIP OR PURE TIN SOLDER DIP.
- 2 RJ45 JACK CAVITY CONFORMS TO FCC RULES AND REGULATIONS PART 68, SUB PART F.
- 3 MAGNETICS  
-IMPEDANCE: 100 OHMS  
-TURNS RATIO (CHIP:CABLE): 1:1 ALL FOUR PAIRS  
-OPEN CIRCUIT INDUCTANCE (OCL): 350μH MIN @100kHz, 0.1VRMS, 8mADC BIAS FROM 0°C TO 70°C, ALL FOUR PAIRS  
-ALL FOUR PAIRS BI-DIRECTIONAL  
-PERFORMANCE @ 25°C:  
  INSERTION LOSS (IL): 1.1dB MAX FROM 0.5MHz TO 100MHz  
  RETURN LOSS (RL): 18dB MIN FROM 0.5MHz TO 40MHz  
  12-20LOG(f/80)dB MIN FROM 40.1MHz TO 100MHz  
  CROSSTALK ATTENUATION: 35dB MIN FROM 0.5MHz TO 40MHz  
  33-20\*LOG(f/50)dB MIN FROM 40.1MHz TO 100MHz  
  COMMON MODE REJECTION RATIO (CMRR): 30dB MIN FROM 0.5MHz TO 100MHz  
-ISOLATION VOLTAGE:2250VDC (MAX) FOR 60 SECONDS WITH A RISE TIME OF 500V/SEC.
- 4 OPERATING TEMPERATURE: FROM 0°C TO +70°C.
- 5 LEDs WITHOUT BUILT-IN RESISTOR  
LEDs ARE DRIVEN WITH CONSTANT CURRENT AT APPROX 20 mA  
LED COLOR: DOMINANT WAVELENGTH (λD): GREEN 568 nm TYP @ IF=20 mA  
FORWARD VOLTAGE (VF): GREEN 2.2V TYP @ IF=20 mA  
DOMINANT WAVELENGTH (λD): YELLOW 588 nm TYP @ IF=20 mA  
FORWARD VOLTAGE (VF): YELLOW 2.1V TYP @ IF=20 mA
- 6 INDICATED MAGNETIC CONNECTIONS ARE SYMMETRIC TO SUPPORT AUTO-MDI/MDIX.
- 7 TRP CONNECTOR LOGO, PART NUMBER, DATE CODE, COUNTRY OF ORIGIN AND AGENCY APPROVAL MARKING IN APPROXIMATE LOCATION SHOWN.
- 8 THE PART IS RECOMMENDED FOR WAVE SOLDERING PROCESS, PREHEAT TEMPERATURE IS 120°C TO 160°C, 120 SECONDS TO 180 SECONDS, PEAK WAVE SOLDERING TEMPERATURE IS 260°C MAX, 10 SECONDS MAX.

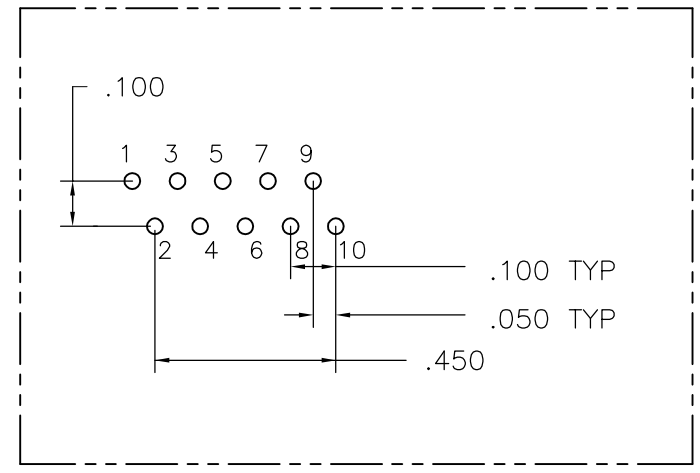
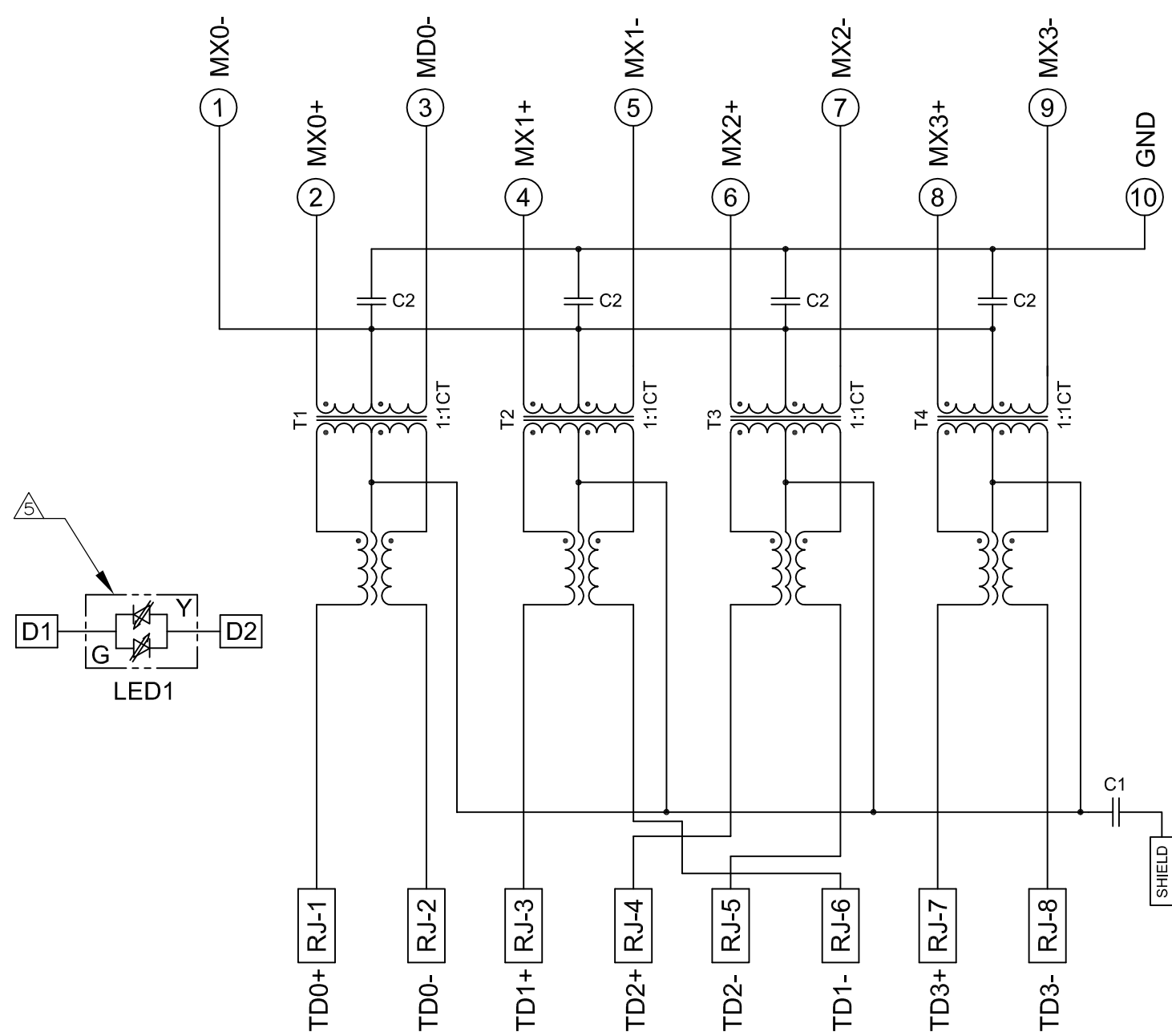
GREEN/YELLOW	GREEN/YELLOW	6605459-6
5 LED1	5 LED2	PART NUMBER

THIS DRAWING IS A CONTROLLED DOCUMENT.		DWN L. VARELA - DOCK5 09MAR2005	 TRP connector Dongguan China	
DIMENSIONS: INCHES		CHK D. FAROLE 09MAR2005		
TOLERANCES UNLESS OTHERWISE SPECIFIED:		APVD D. FAROLE 09MAR2005	NAME 1X1 MAG45(TM), 4G08P1 GIGABIT ETHERNET MAGNETIC SCHEMATIC (10 PIN HORIZ FOOTPRINT), SHIELDED, WITH BI-COLOR LEDs	
0 PLC ± - 1 PLC ± - 2 PLC ± .010 3 PLC ± .005 4 PLC ± - ANGLES ± -		PRODUCT SPEC 108-2100	SIZE A2	DRAWING NO C-6605459
MATERIAL		FINISH	WEIGHT	RESTRICTED TO
			CUSTOMER DRAWING	SCALE NTS SHEET 1 OF 2 REV E

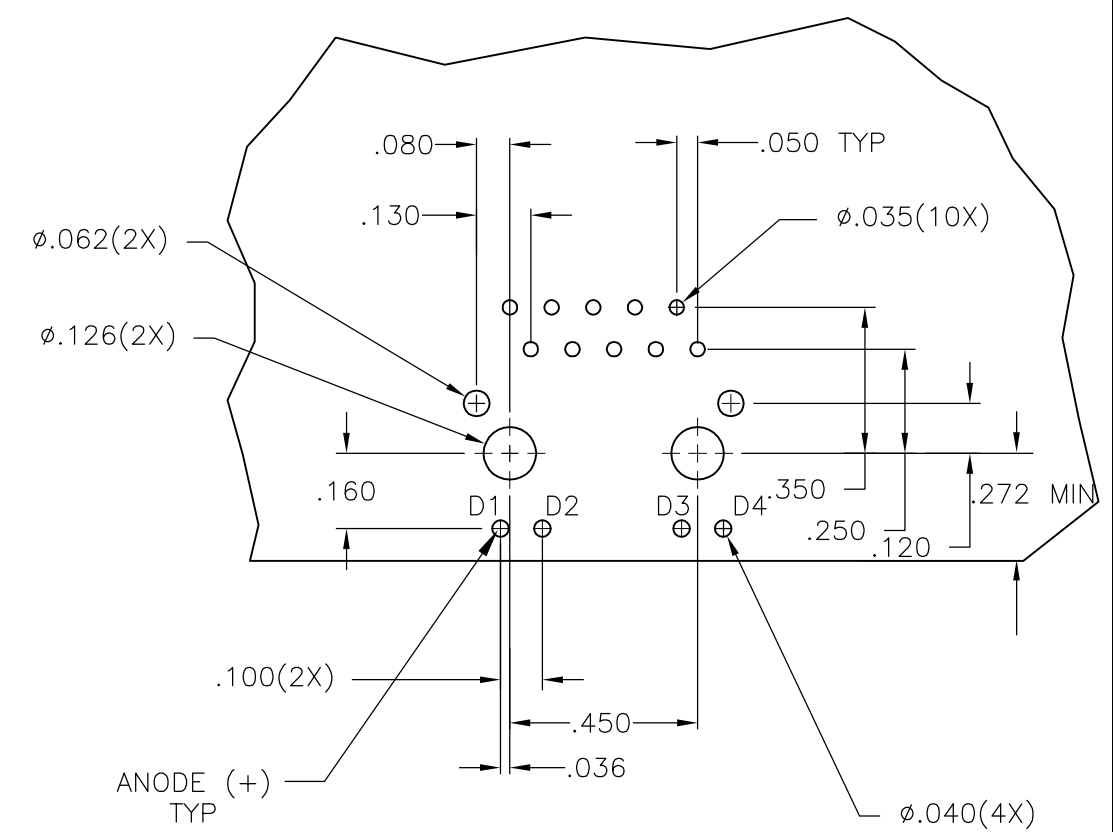
REVISIONS				
P	LTR	DESCRIPTION	DATE	APVD
-	-		-	-

ELECTRICAL:

4G08P1 GIGABIT Magnetic Circuit  $\triangle_3 \triangle_6$



Pin Designations



Suggested PCB Layout  
(Component Side)

C1 = 1000 pF, 2kV CAPACITOR  
C2-C5 = 470 pF, 50V CAPACITORS

THIS DRAWING IS A CONTROLLED DOCUMENT.		DWN L. VARELA 09MAR2005		TRP connector Dongguan China
DIMENSIONS: INCHES		CHK D. FAROLE 09MAR2005		PRODUCT SPEC 108-2100
		TOLERANCES UNLESS OTHERWISE SPECIFIED: 0 PLC ± - 1 PLC ± - 2 PLC ± .010 3 PLC ± .005 4 PLC ± - ANGLES ± - FINISH	APVD D. FAROLE 09MAR2005	SIZE A2
MATERIAL SEE SHEET 1		SEE SHEET 1	APPLICATION SPEC -	CAGE CODE C=6605459
CUSTOMER DRAWING			WEIGHT -	RESTRICTED TO -
			SCALE NTS	SHEET 2 OF 2 REV E