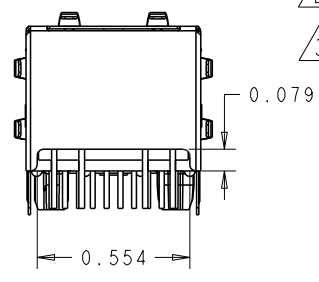
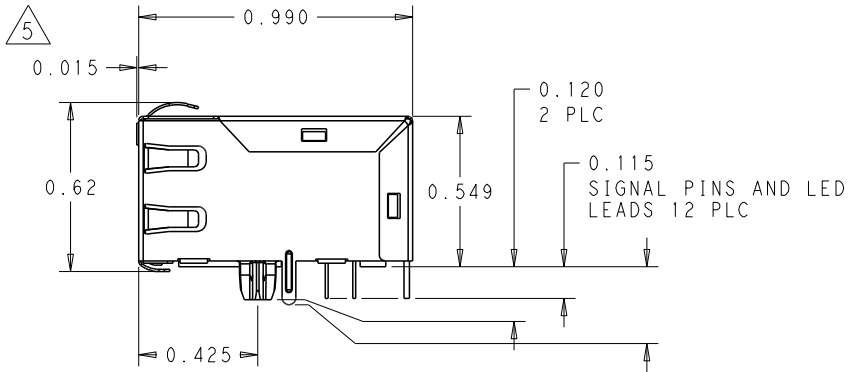
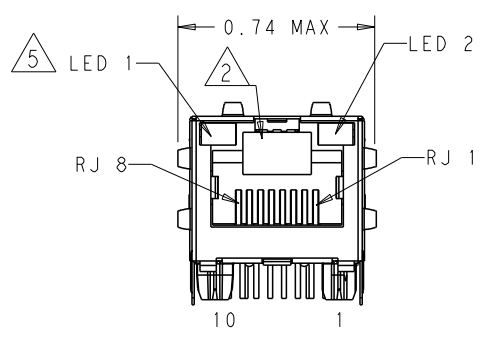
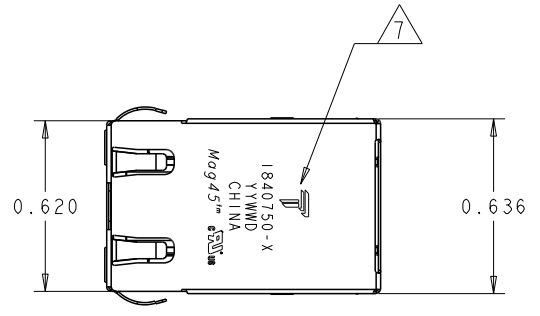
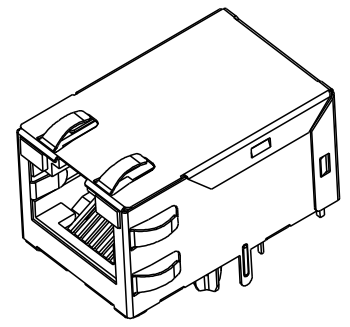


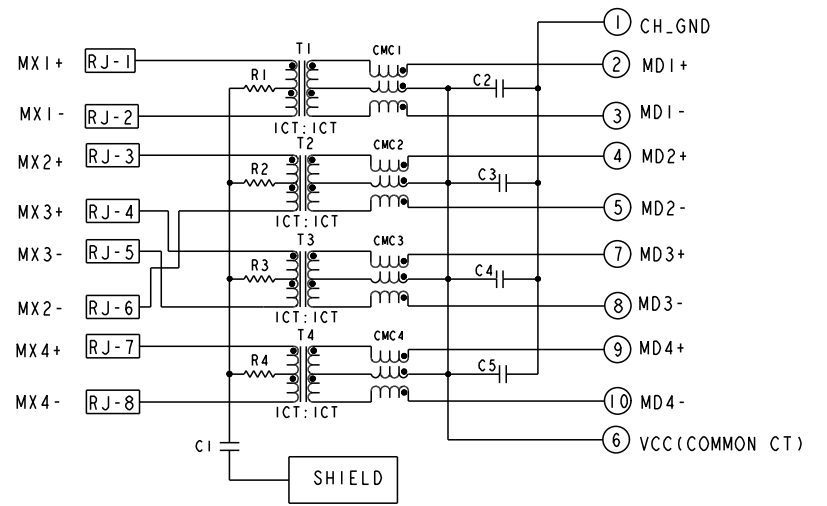
REVISIONS				
P	LYR	DESCRIPTION	DATE	OWN APVD
L		LOGO CHANGE	24APR2013	JC RZ

MECHANICAL:

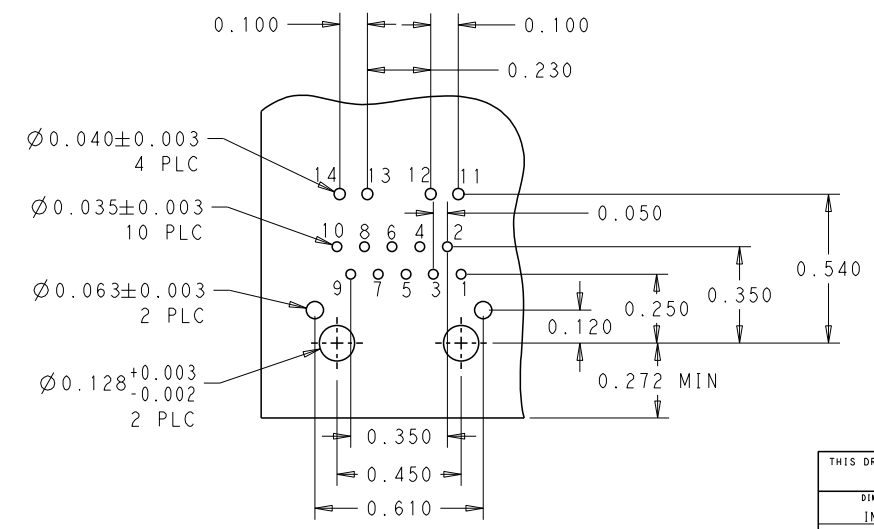
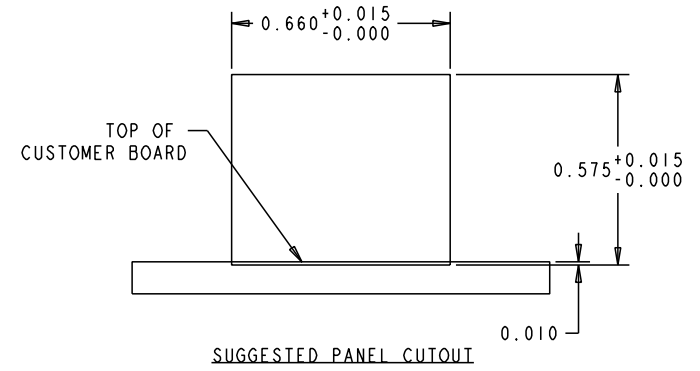
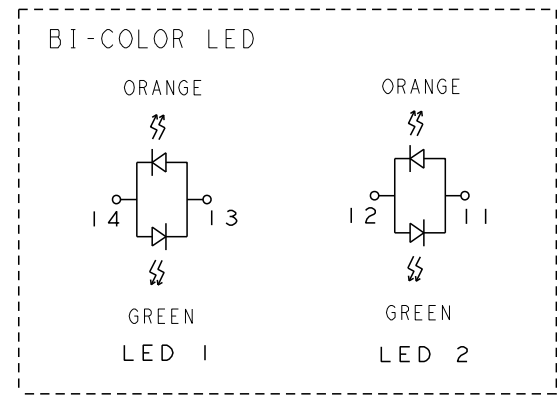
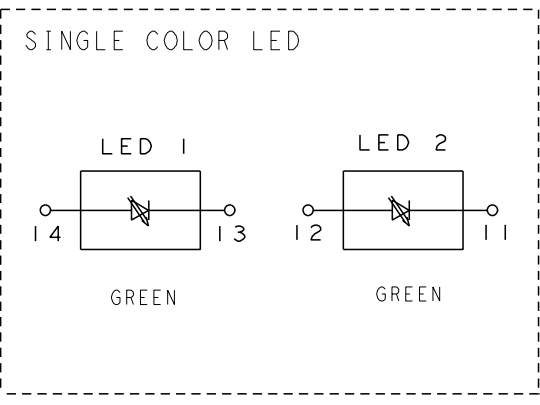


ELECTRICAL:

7G61P9 GIGABIT CIRCUIT



C1 = 1000pF, 2kV, X7R CAPACITOR
 C2-C5 = 0.01uF, 50V CAPACITORS
 R1-R4 = 75 OHMS, 1/16W RESISTORS



- 1 MATERIALS:
 -HOUSING- THERMOPLASTIC PET POLYESTER FLAMMABILITY RATING UL 94V-0
 -SHIELD- 0.008 INCH THICK, C26800 BRASS PREPLATED WITH 30uINCH MIN SEMI-BRIGHT NICKEL; SOLDER TABS POST-DIPPED WITH 100 uINCH MIN SAC SOLDER.
 -CONTACTS- PHOSPHOR BRONZE, PLATED WITH 1.27um MIN OVERALL NICKEL UNDERPLATE, SELECTIVE 1.27um MIN GOLD AT MATING INTERFACE AND 2.54um MIN MATTE TIN ON SOLDER TAILS. OR 1.27um MIN NICKEL UNDERPLATE, WITH 0.05um GOLD PLATING OVER 0.76um MIN PALLADIUM NICKEL PLATING AT MATING INTERFACE AND 2.54um MIN MATTE TIN ON SOLDER TAILS.
 -SOLDERTAILS- PLATED WITH 100 uINCH MIN MATTE TIN AND/OR SAC SOLDER DIP.
 -LIGHT EMITTING DIODE(LED)- DIFFUSED EPOXY LENS, .020" x .020" CARBON STEEL WIREFRAME LEADS PREPLATED WITH 80 uINCH SILVER OVER 40 uINCH NICKEL UNDERPLATE 40uINCH COPPER UNDERPLATE; POST-PLATED WITH 100 uINCH MIN MATTE TIN AND/OR SAC SOLDER DIP OR PURE TIN SOLDER DIP.
- 2 RJ45 JACK CAVITY CONFORMS TO FCC RULES AND REGULATIONS PART 68, SUBPART F.
- 3 MAGNETICS
 -APPLICATION: 10/100/1000 BASE-T
 -IMPEDANCE: 100 OHMS
 -TURNS RATIO (CHIP:CABLE): 1:1 ALL FOUR PAIRS
 -OPEN CIRCUIT INDUCTANCE (OCL): 350uH MIN @100kHz, 0.1VRMS, 8mADC BIAS FROM 0°C TO 70°C, ALL FOUR PAIRS
 -ALL FOUR PAIRS BI-DIRECTIONAL
 -PERFORMANCE @ 25°C:
 INSERTION LOSS (IL): 1.1dB MAX FROM 0.5MHz TO 100MHz
 RETURN LOSS (RL): 18dB MIN FROM 0.5MHz TO 40MHz
 12-20LOG(f/80)dB MIN FROM 40.1MHz TO 100MHz
 CROSSTALK ATTENUATION: 35dB MIN FROM 0.5MHz TO 40MHz
 33-20LOG(f/50)dB MIN FROM 40.1MHz TO 100MHz
 COMMON MODE REJECTION RATIO (CMRR): 30dB MIN FROM 0.5MHz TO 100MHz
 -ISOLATION VOLTAGE: COMPLIES WITH IEEE802.3 2002, PARA 40.6.1.1, ITEM b.
- 4 OPERATING TEMPERATURE: FROM 0°C TO 70 °C.
- 5 LED IS DRIVEN WITH CONSTANT CURRENT AT APPROX 20mA.
 LED COLOR: DOMINANT WAVELENGTH (λD): GREEN 568 nm TYP. @ IF=20mA
 FORWARD VOLTAGE (VF): GREEN 2.2V TYP. @ IF=20mA
 DOMINANT WAVELENGTH (λD): ORANGE 605 nm TYP. @ IF=20mA
 FORWARD VOLTAGE (VF): ORANGE 2.05V TYP. @ IF=20mA
- 6 INDICATED MAGNETIC CONNECTIONS ARE SYMMETRICAL AND SUPPORT AUTO-MDIX.
- 7 TRP CONNECTOR LOGO, PART NUMBER, DATE CODE, COUNTRY OF ORIGIN AND AGENCY APPROVAL MARKING IN APPROXIMATE LOCATION SHOWN.
- 8 THESE PARTS ARE RECOMMENDED FOR WAVE SOLDERING PROCESS, PREHEAT TEMPERATURE IS 120°C TO 160°C, 120 SECONDS TO 180 SECONDS, PEAK WAVE SOLDERING TEMPERATURE IS 260°C MAX, 10 SECONDS MAX.

0.154	GREEN	GREEN	1-1840750-7
0.154	GREEN/ORANGE	GREEN/ORANGE	1-1840750-6
0.115	GREEN	GREEN	1840750-7
0.115	GREEN/ORANGE	GREEN/ORANGE	1840750-6
DIM A	LED 1	LED 2	PART NUMBER

THIS DRAWING IS A CONTROLLED DOCUMENT. DRN RANDY QU 07APR2008
 CHW LIJUN RAO 07APR2008
 APVD TEDDY XIONG 07APR2008

TRP connector
 Dongguan China

PRODUCT SPEC: 108-2100
 APPLICATION SPEC: 1X1 MAG45(TM) MODULAR JACK 7G61P9 GIGABIT CIRCUIT SHIELDED, W/LEDS

SCALE: 3:1 SHEET 1 OF 1