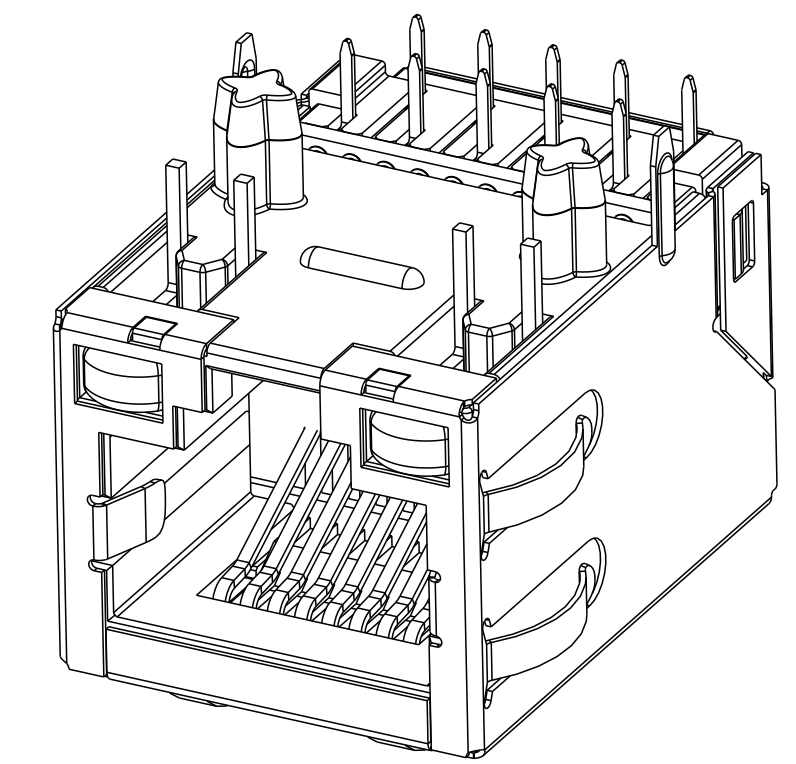
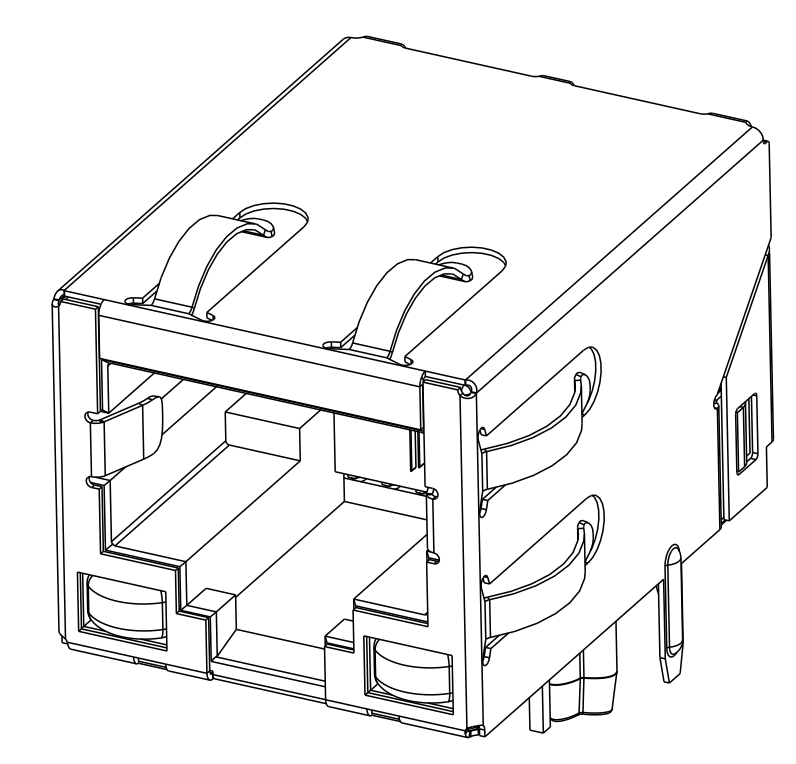
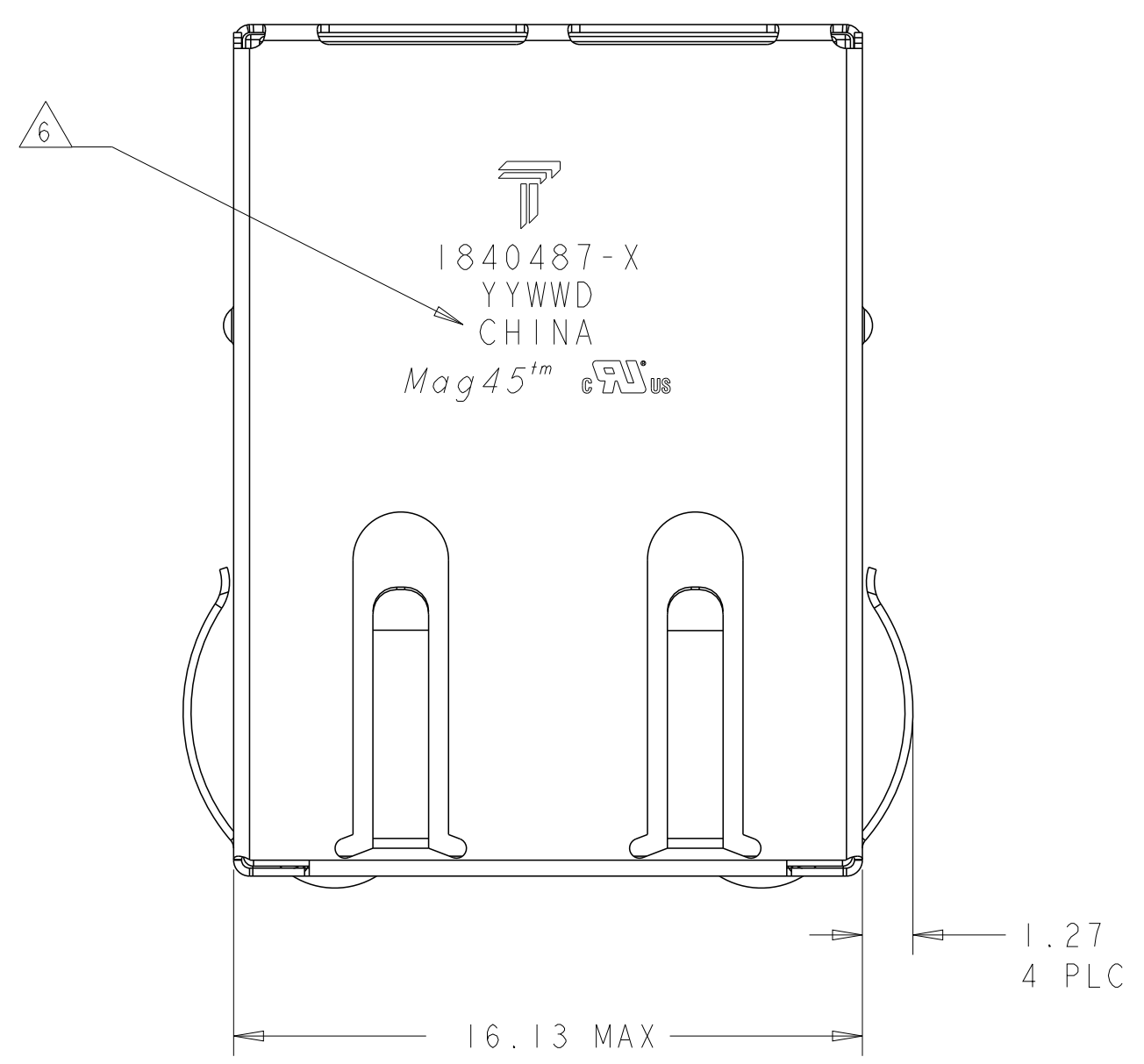
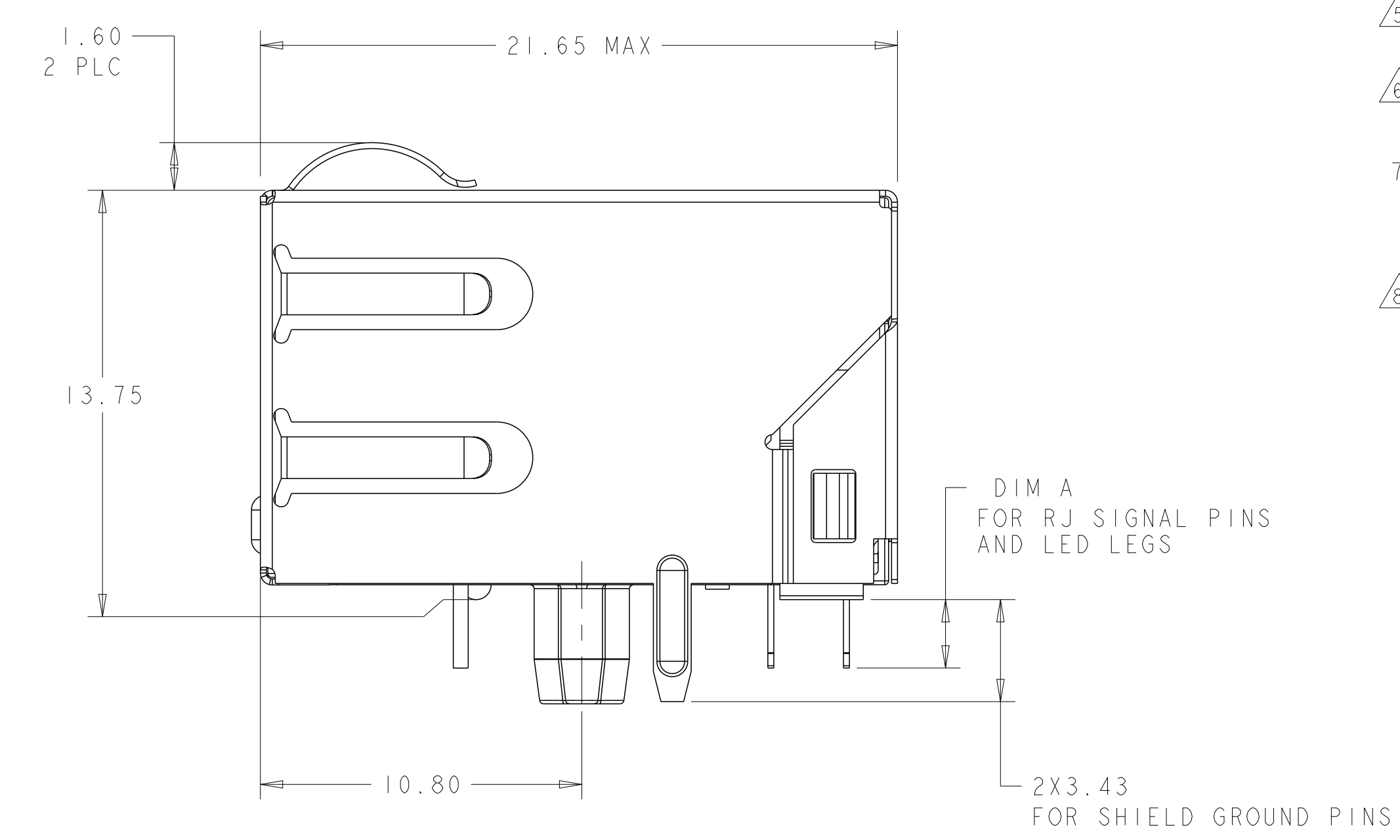
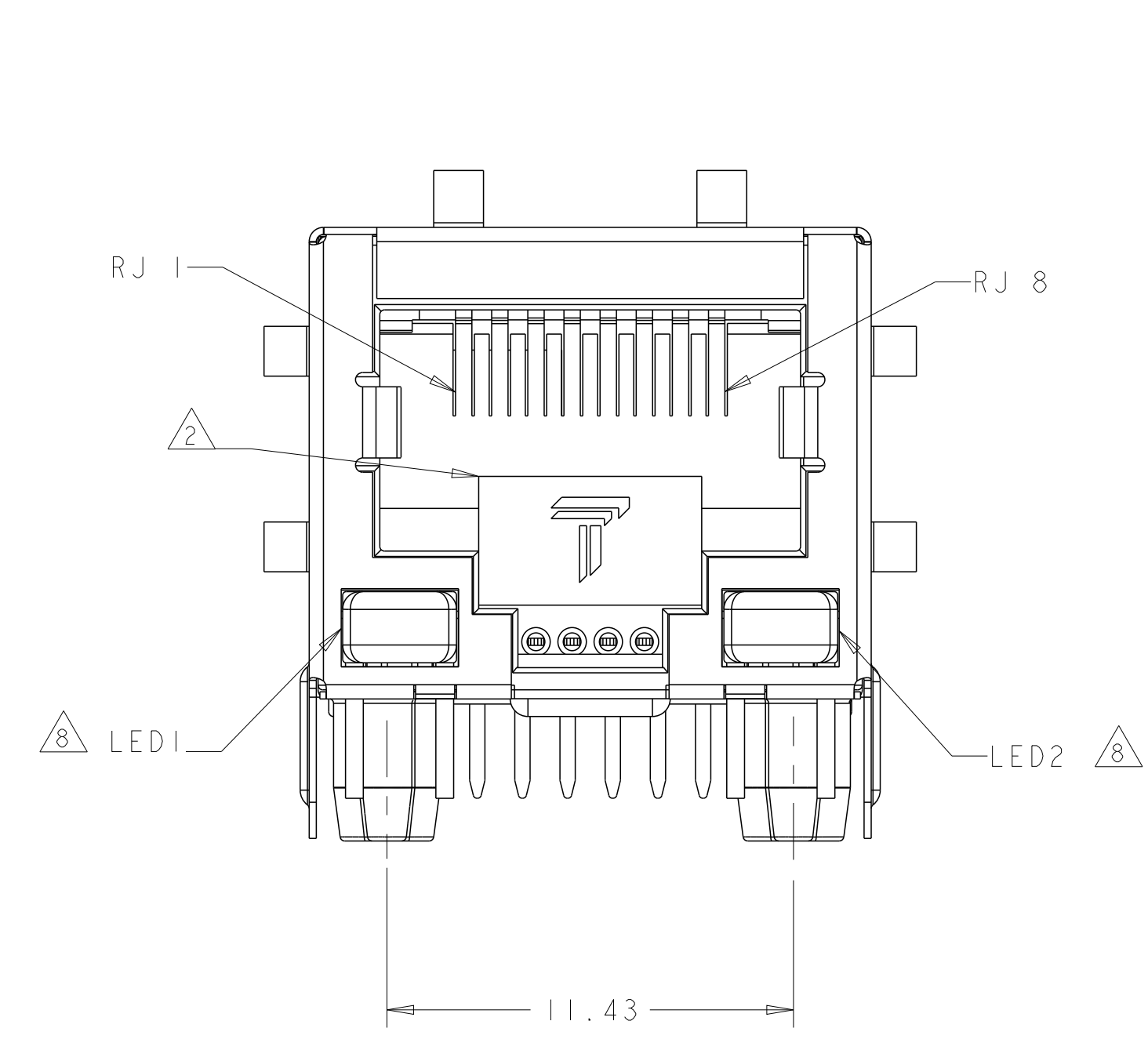


REVISIONS				
P	LTN	DESCRIPTION	DATE	OWN APVD
7		SEE LAST SHEET	05JUN2013	RL TY



NOTES:

- 1 MATERIALS  
 - HOUSING: THERMOPLASTIC, FLAMMABILITY RATING UL 94V-0.  
 - SHIELD: BRASS 0.20mm THICK, PREPLATED WITH 0.76um MIN SEMI-BRIGHT NICKEL; SOLDER TABS POST DIPPED WITH 2.54um MIN SAC SOLDER.  
 - CONTACTS: PHOSPHOR BRONZE 0.46mm X 0.30mm, PHOSPHOR BRONZE, 1.27um MIN NICKEL UNDERPLATE, WITH 1.27um MIN GOLD PLATING AT MATING INTERFACE AND 2.54um MIN MATTE TIN ON SOLDER TAILS, OR 1.27um MIN NICKEL UNDERPLATE, WITH 0.05um GOLD PLATING OVER 0.76um MIN PALLADIUM NICKEL PLATING AT MATING INTERFACE AND 2.54um MIN MATTE TIN ON SOLDER TAILS.  
 - SOLDER TAILS: 0.25mm THICK, PHOSPHOR BRONZE, 1.27um MIN OVERALL NICKEL UNDERPLATE, 3um TIN PLATE  
 - LIGHT EMITTING DIODE (LED): DIFFUSED EPOXY LENS, 0.5mm X 0.5mm CARBON STEEL WIREFRAME LEADS PREPLATED WITH 2.03um MIN. SILVER PLATE OVER 1.02um MIN. NICKEL OVER 1.02um MIN. COPPER UNDERPLATE; LEADS POST-PLATED WITH 3.05um MIN. MATTE TIN AND/OR SAC SOLDER DIP OR PURE TIN SOLDER DIP
- 2 RJ45 JACK CAVITY CONFORMS TO FCC RULES AND REGULATIONS PART 68 SUB PART F.
- 3 MAGNETICS  
 - APPLICATION: 10/100/1000 BASE-T, EXTENDED TEMPERATURE  
 - IMPEDANCE: 100 OHMS  
 - TURNS RATIO (CHIP: CABLE): 1:1 ALL FOUR PAIRS  
 - OPEN CIRCUIT INDUCTANCE (OCL): 350uH MIN. @100kHz, 0.1VRMS, 8mADC BIAS FROM -40°C TO +85°C, ALL FOUR PAIRS  
 - ALL FOUR PAIRS BI-DIRECTIONAL  
 - PERFORMANCE @ 25°C:  
 INSERTION LOSS (IL): 1.1dB MAX. FROM 0.5MHz TO 100MHz  
 RETURN LOSS (RL): 18dB MIN FROM 0.5MHz TO 40MHz  
 12-20LOG(f/80)dB MIN. FROM 40.1MHz TO 100MHz  
 CROSSTALK ATTENUATION: 35dB MIN. FROM 0.5MHz TO 40MHz  
 33-20LOG(f/50)dB MIN. FROM 40.1MHz TO 100MHz  
 COMMON MODE REJECTION RATIO (CMRR): 30dB MIN. FROM 0.5MHz TO 100MHz  
 - ISOLATION VOLTAGE: 2250VDC FOR 60 SECONDS WITH A RISE TIME OF 500 V/SEC
4. OPERATING TEMPERATURE: FROM -40°C TO +85°C.
- 5 INDICATED MAGNETIC CONNECTIONS ARE SYMMETRICAL TO SUPPORT AUTO-MDI/MDIX.
- 6 TRP CONNECTOR LOGO, PART NUMBER, DATE CODE, COUNTRY OF ORIGIN AND AGENCY APPROVAL MARKING IN APPROXIMATE LOCATION SHOWN.
7. THESE PARTS ARE RECOMMENDED FOR WAVE SOLDERING PROCESS, PREHEAT TEMPERATURE IS 120°C TO 160°C, 120 SECONDS TO 180 SECONDS, PEAK WAVE SOLDERING TEMPERATURE IS 260°C MAX, 10 SECONDS MAX.
- 8 LEDs ARE DRIVEN WITH CONSTANT CURRENT AT APPROX 20mA  
 LED COLOR: DOMINATE WAVELENGTH (λD): GREEN 568 nm TYP. AT IF = 20mA  
 FORWARD VOLTAGE (VF): GREEN 2.2V TYP. at IF = 20mA  
 DOMINATE WAVELENGTH (λD): YELLOW 588 nm TYP. AT IF = 20mA  
 FORWARD VOLTAGE (VF): YELLOW 2.1V TYP. at IF = 20mA



3.68	YELLOW	-	GREEN	-	1840487-9
3.68	GREEN	YELLOW	GREEN	YELLOW	1840487-8
2.30	GREEN	-	GREEN	-	1840487-7
2.30	GREEN	YELLOW	GREEN	YELLOW	1840487-6
DIM A	11 → 12	12 → 11	13 → 14	14 → 13	PART NUMBER
	LED 1		LED 2		

THIS DRAWING IS A CONTROLLED DOCUMENT.

OWN: YKIN LEE 08MAR2010  
 CHK: QUENTIN LIU 08MAR2010  
 APVD: LI JUN RAO 08MAR2010

TRP connector  
 Dongguan China

PRODUCT SPEC: -  
 APPLICATION SPEC: -

NAME: 1X1 MAG45(TM), MODULAR JACK, 4G46ETPI GIGABIT CIRCUIT, SHIELDED

SIZE: A1  
 CAGE CODE: -  
 DRAWING NO: C=1840487


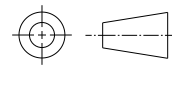
WEIGHT: -  
 MATERIAL: -  
 FINISH: -

CUSTOMER DRAWING

SCALE: 4:1 SHEET 1 OF 3 REV 7



C_1840487					STOCK DISPOSITION			
REVISION HISTORY					A: CONTINUE AS IS		D: USE OLD FIRST	
					B: REWORK		E: PARTS TO CONFORM	
					C: SCRAP		F: OTHER	
DATE	REV	CHANGES	REASON	APPROVAL	INVENTORY (A,B,C,D,E,F)	WORK IN PROCESS (A,B,C,F)	SUPPLIER ORDERS (A,E,F)	OPEN CUST ORDERS (A,E,F)
28MAY2013	7	ADD DASH NUMBER 1840487-8 AND 1840487-9	MARKET REQUIREMENT	TONY YUAN	-	-	-	-

THIS DRAWING IS A CONTROLLED DOCUMENT.		DWN: YKIN LEE 08MAR2010	 TRP connector Dongguan China
DIMENSIONS:		CHK: QUENTIN LIU 08MAR2010	
TOLERANCES UNLESS OTHERWISE SPECIFIED:		APP'D: LI JUN RAO 08MAR2010	
mm	0 PLC ±0.25 1 PLC ±0.25 2 PLC ±0.25 3 PLC ± 4 PLC ± ANGLES ± FINISH ±2	PRODUCT SPEC	NAME: IXI MAG45(TM), MODULAR JACK, 4G46ETPI GIGABIT CIRCUIT, SHIELDED
		APPLICATION SPEC	SIZE: A1
MATERIAL		WEIGHT	CAGE CODE: -
			DRAWING NO: C=1840487
		CUSTOMER DRAWING	RESTRICTED TO
		SCALE: 4:1	SHEET 3 OF 3
			REV 7