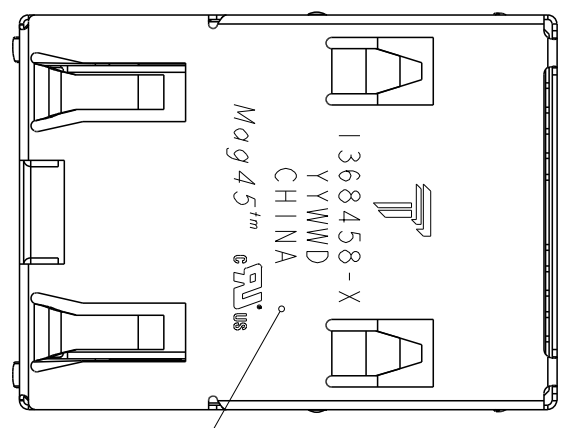
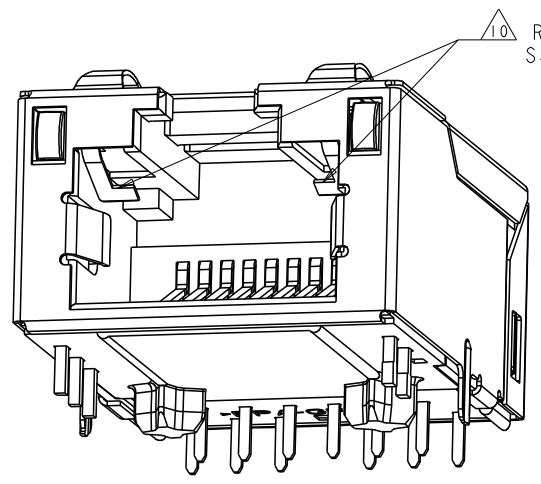


REVISIONS				
P	LYR	DESCRIPTION	DATE	APPD
H		LOGO CHANGE	10MAY2013	TY KZ

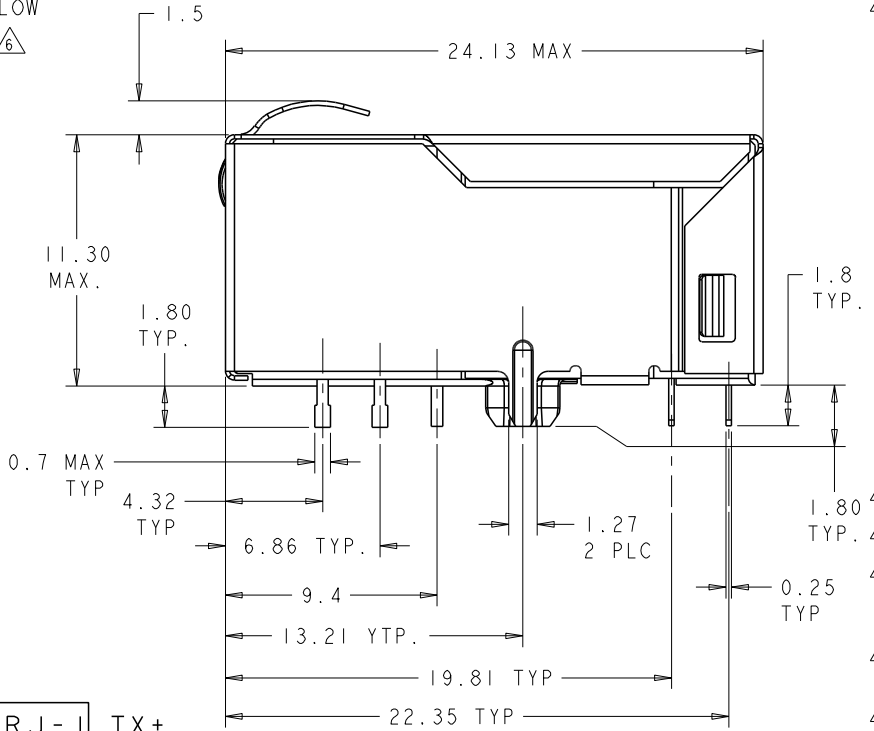
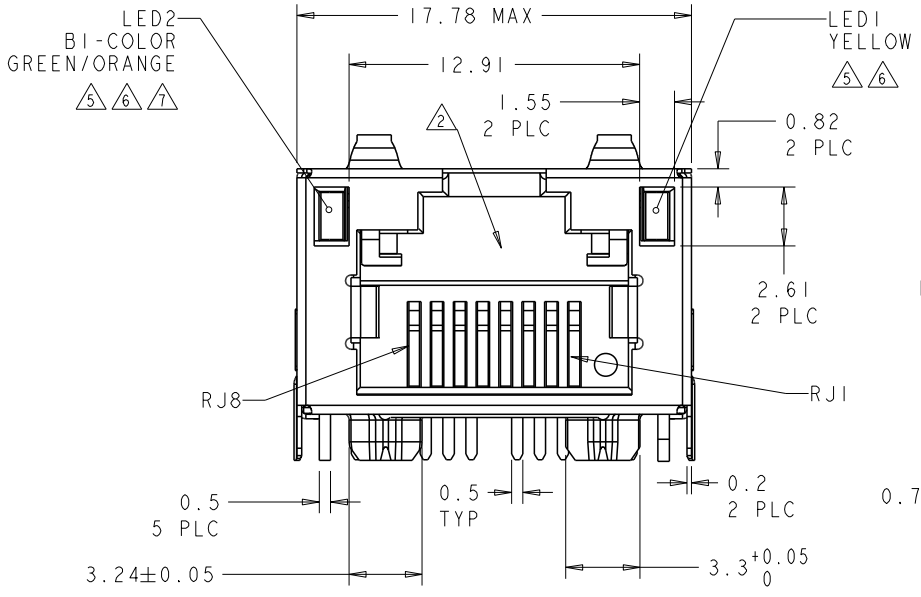
10 RJ45 MOD PLUG SELECTIVE
 SS SPRING MEMBER



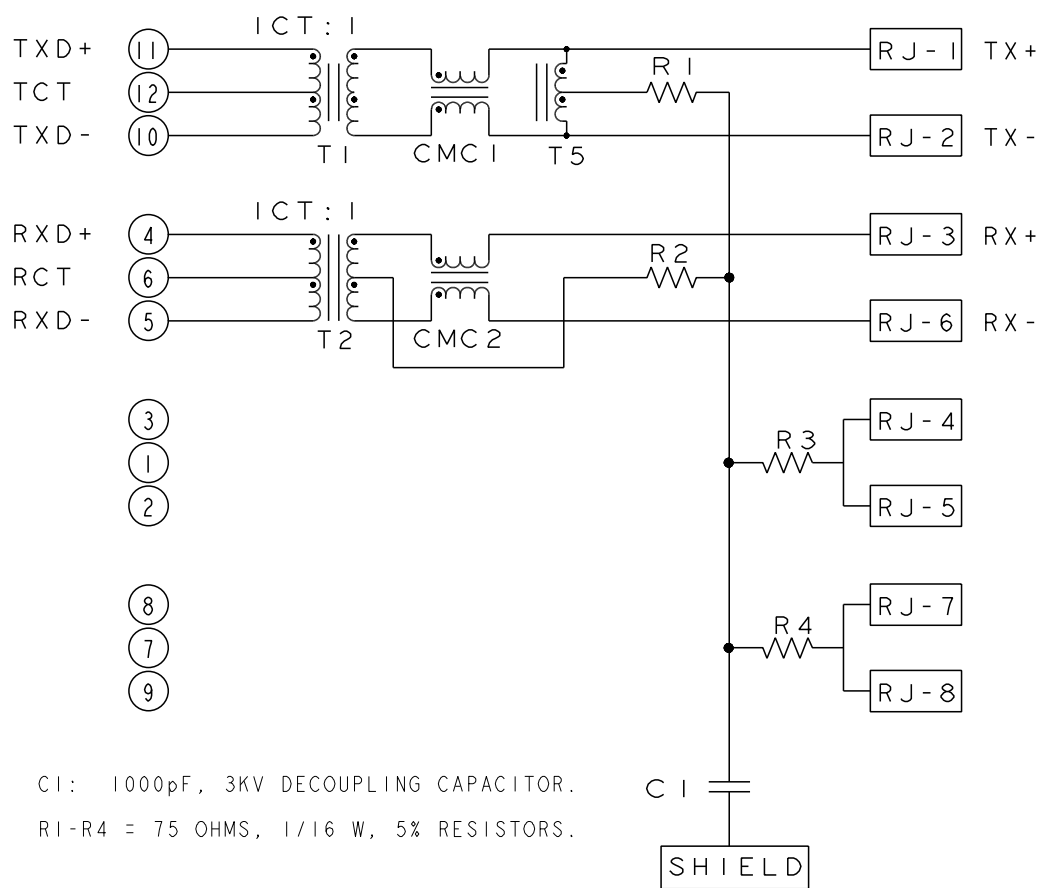
- 1 MATERIALS:
 -HOUSING: HIGH TEMPERATURE NYLON, BLACK, UL 94V-0
 -SHIELD: 0.20mm THICK, BRASS PREPLATED WITH 1.27µm MIN SEMI-BRIGHT NICKEL; POST-DIPPED WITH 2µm MIN SAC 305 ALLOY LEAD FREE SOLDER (TIN PRIMARY, 3% SILVER, 0.5% COPPER)
 -CONTACT TAILS: 0.25mm THICK, PHOSPHOR BRONZE, 1.27 µm MIN OVERALL NICKEL UNDERPLATE, 3µm MIN TIN PLATE
 -MOD JACK CONTACTS: PHOSPHOR BRONZE, PLATED WITH 1.27µm MIN OVERALL NICKEL UNDERPLATE, SELECTIVE 0.76µm MIN GOLD AT MATING INTERFACE AND 2.54µm MIN MATTE TIN ON SOLDER TAILS. OR 1.27µm MIN NICKEL UNDERPLATE, WITH 0.05µm GOLD PLATING OVER 0.76µm MIN PALLADIUM NICKEL PLATING AT MATING INTERFACE AND 2.54µm MIN MATTE TIN ON SOLDER TAILS.
 -LIGHT EMITTING DIODE (LED): DIFFUSED EPOXY LENS, 0.5mm X 0.5mm CARBON STEEL WIREFRAME LEADS PREPLATED WITH 2.03µm MIN. SILVER PLATE OVER 1.02µm MIN. NICKEL OVER 1.02µm MIN. COPPER UNDERPLATE; LEADS POST-PLATED WITH 3.05µm MIN. MATTE TIN.
 -LIGHT PIPE: POLYCARBONATE

2 RJ45 JACK CAVITY CONFORMS TO FCC RULES AND REGULATIONS PART 68, SUB-PART F.

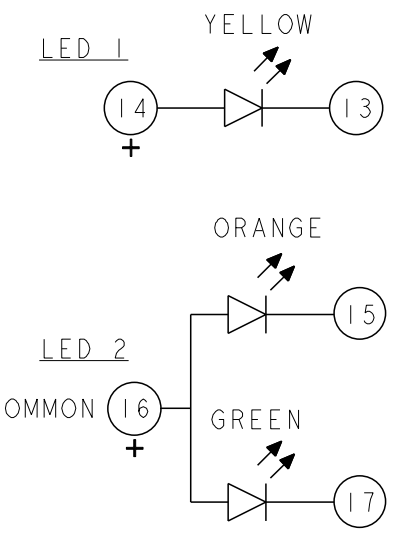
- 3 MAGNETICS:
 -IMPEDANCE: 100 OHMS
 -TRANSMIT OPEN CIRCUIT INDUCTANCE (OCL): 350µH (MIN) @100KHz, 0.1 VRMS WITH 8 mA DC BIAS.
 -TURNS RATIO (CHIP:CABLE): TX 1:1, RX: 1:1
 -PERFORMANCE:
 INSERTION LOSS (IL): 1.1dB MAX FROM 0.5MHz TO 100MHz
 RETURN LOSS (RL): 18 dB MIN FROM 0.5MHz TO 30MHz
 18-20log(f/30)dB MIN FROM 30.1MHz TO 60MHz
 12dB MIN FROM FROM 60.1MHz TO 80MHz
 CROSSTALK ATTENUATION: 35dB MIN FORM 0.5MHz TO 40MHz
 33-20log(f/50)dB MIN FROM 40.1MHz TO 100MHz
 COMMON MODE REJECTION RATIO (CMRR): 30dB MIN FROM 0.5MHz TO 100MHz
 -DIELECTRIC (ISOLATION VOLTAGE):
 -2250 VDC (1 mA CUTOFF CURRENT) FOR 60 SECONDS DURATION BETWEEN CABLE CONTACTS AND PCB CONTACTS (INCLUDING SHIELD).
 -1500 VRMS (10mA CUTOFF CURRENT) FOR 60 SECONDS DURATION BETWEEN CABLE CONTACTS AND PCB CONTACTS (INCLUDING SHIELD).
 -ALL BRIDGED ON EITHER SIDE OF MAGNETICS PACKAGE FOR RJ-45 CONTACTS.
 OPERATING TEMPERATURE: FROM 0° TO +70°C.



114 10/100 BASE-T CIRCUIT



C1: 1000pF, 3KV DECOUPLING CAPACITOR.
 R1-R4 = 75 OHMS, 1/16 W, 5% RESISTORS.



- 4 THE MAGNETICS ARE ASYMMETRICAL, AND THEREFORE ARE NOT AUTO-MDI/MDIX CAPABLE.
 5 LED COMPLIANT WITH IEC60825-1 SAFETY OF LASER PRODUCTS. WHEN OPERATED UP TO 20mA.
 6 LED PEAK WAVELENGTH: GREEN = 565±5nm
 YELLOW = 591±5nm
 ORANGE = 607±5nm
 7 LED 2 WILL EMULATE "YELLOW" LIGHT WHEN BOTH GREEN AND ORANGE DIODES ARE DRIVEN AT CONSTANT CURRENT (20mA RECOMMENDED) TO INDICATE THE THIRD COLOR STATES.
 8 ALL DIMENSIONS NOMINAL UNLESS OTHERWISE NOTED.
 9. 1368458-1 SHOWN UNLESS OTHERWISE NOTED.

10 RJ45 MOD PLUG SELECTIVE - THIS CONNECTOR UTILIZES STAINLESS STEEL SPRING MEMBER WHICH PREVENTS THE INSERTION OF A RJ11 (6 POSITION) PLUG INTO THE JACK PORT, WHILE ALLOWING A RJ45 (8 POSITION) PLUG TO MATE FREELY.

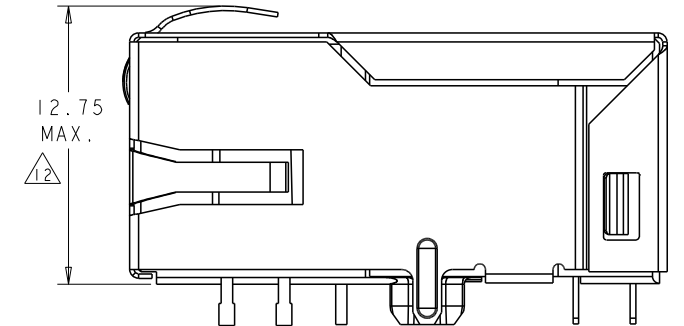
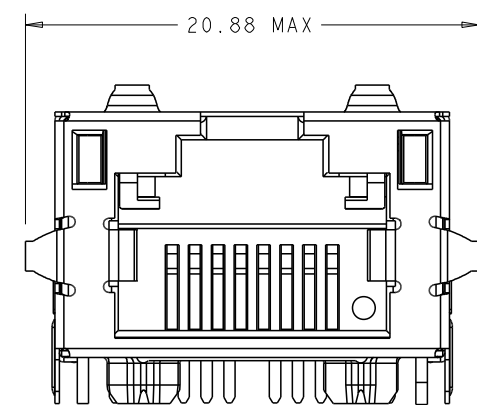
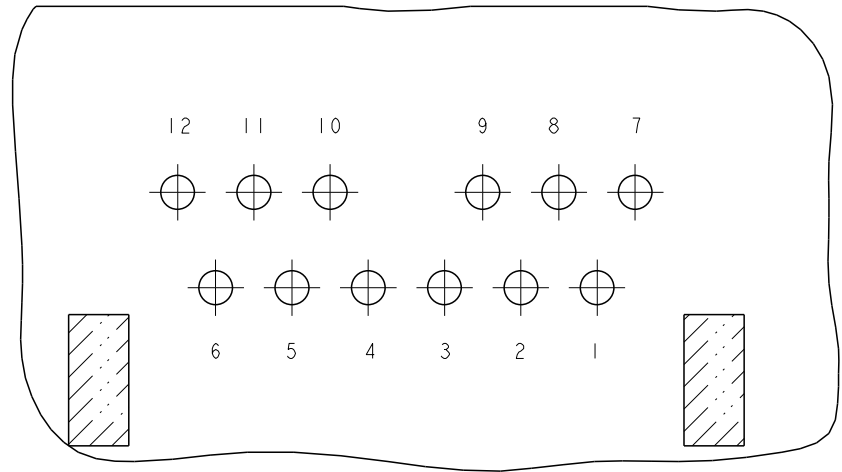
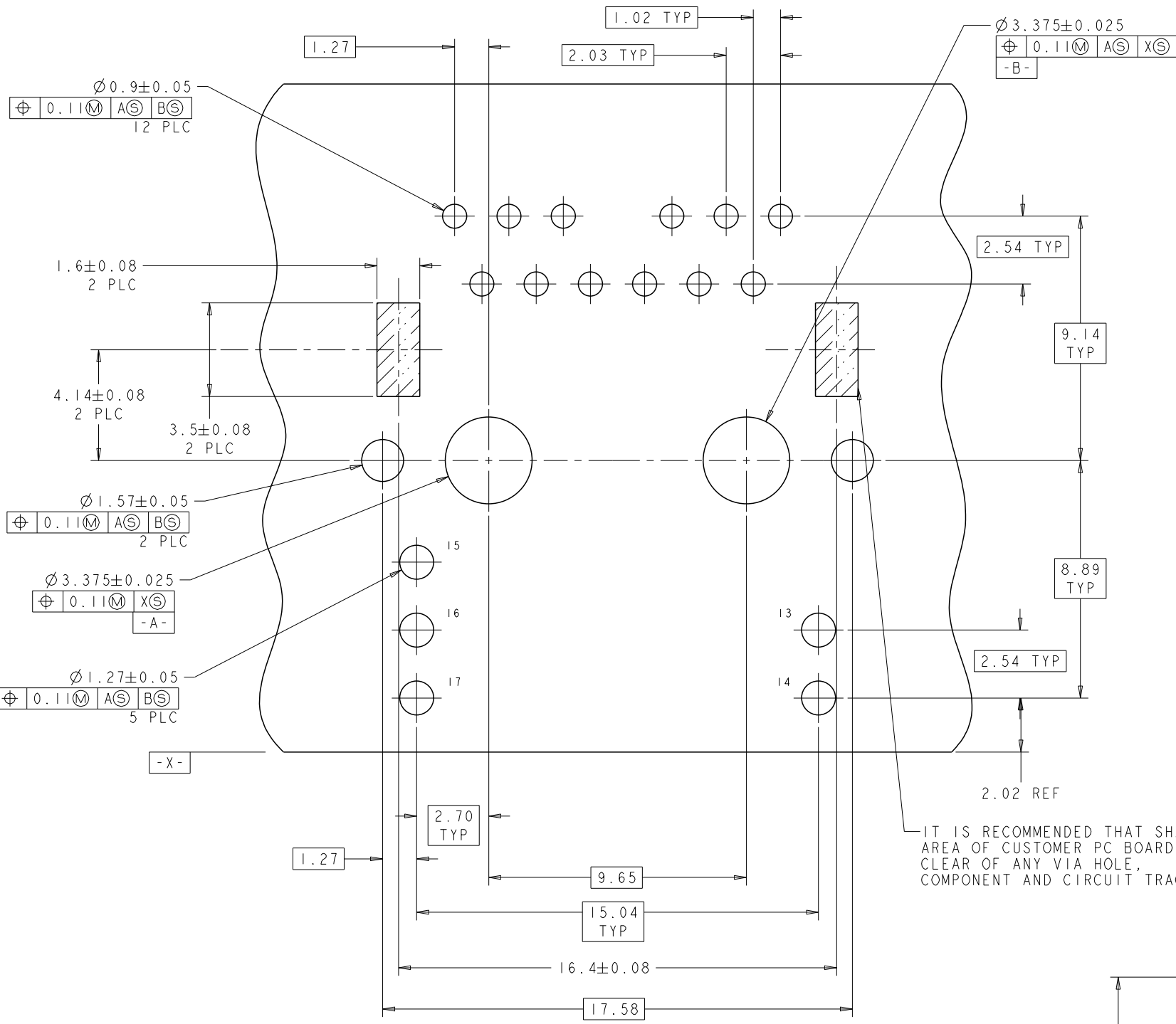
WARNING: THIS FEATURE WAS DEVELOPED FOR TYPICAL PLUG INSERTION FORCES. EXCESSIVE INSERTION FORCE MAY OVERCOME THE SELECTIVE FEATURES AND DAMAGE THE CONNECTOR.

11 TRP CONNECTOR LOGO, PART NUMBER, DATE CODE, COUNTRY OF ORIGIN, AGENCY APPROVAL MARKING LOGO LOCATED IN APPROXIMATE LOCATION AS SHOWN. DATE CODE YY IS YEAR, WW IS WORK WEEK, D IS DAY OF WEEK WITH SUNDAY=1

12 APPLIES ONLY TO 1368458-2.

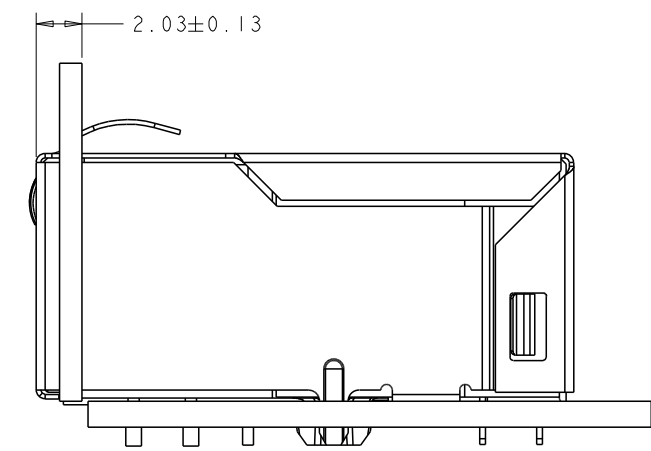
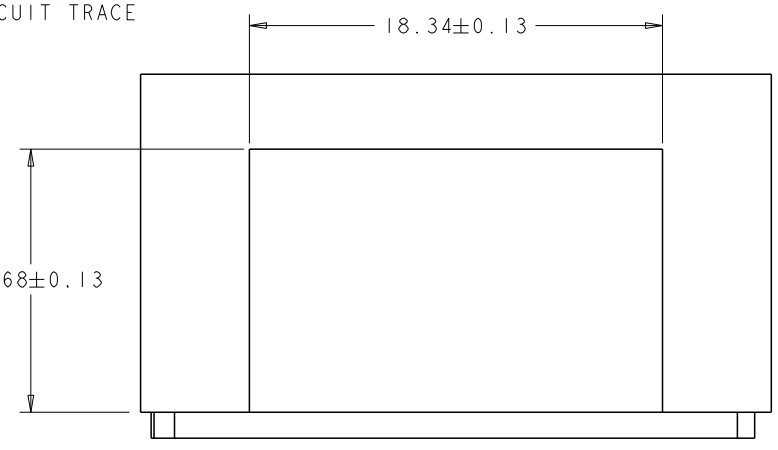
REFLOW	TOP AND SIDES	1368458-2
REFLOW	TOP ONLY	1368458-1
SOLDER PROCESS	GROUND TABS	PART NO.

THIS DRAWING IS A CONTROLLED DOCUMENT.		DW: VIC SLACK 18SEP2003		TRP connector	
DIMENSIONS: mm		Ch: BARRY SIMMONS 16SEP2003		Dongguan China	
TOLERANCES UNLESS OTHERWISE SPECIFIED:		APFD: N. REESER 07FEB2004		PRODUCT SPEC	
0 PLC	±0.25	108-2207		NAME	
1 PLC	±0.25	APPLICATION SPEC		IXI MAG45(TM), MODULAR JACK,	
2 PLC	±0.25	114-		114 10/100 LOW PROFILE	
3 PLC	±0.25	WEIGHT		SIZE CAGE CODE DRAWING NO	
4 PLC	±0.25	SCALE		RESTRICTED TO	
ANGLES	±0.25	CUSTOMER DRAWING		A1	
FINISH	±0.25	SCALE NTS		SHEET 1 OF 2	
				REV H	



1368458-2

IT IS RECOMMENDED THAT SHADED AREA OF CUSTOMER PC BOARD BE CLEAR OF ANY VIA HOLE, COMPONENT AND CIRCUIT TRACE



SUGGESTED PCB LAYOUT (COMPONENT SIDE)

SUGGESTED PANEL OPENING

THIS DRAWING IS A CONTROLLED DOCUMENT.		DWN VIC SLACK 18SEP2003		TRP connector Dongguan China	
DIMENSIONS: mm		CHK BANDY SIMMONS 16SEP2003			
TOLERANCES UNLESS OTHERWISE SPECIFIED:		APPD N. REESER 07FEB2004		PRODUCT SPEC NAME 108-2207 IXI MAG45(TM), MODULAR JACK, APPLICATION SPEC 114 10/100 LOW PROFILE	
0 PLC \pm 1 PLC ± 0.25 2 PLC ± 0.25 3 PLC \pm 4 PLC \pm ANGLES \pm		WEIGHT -		SIZE CAGE CODE DRAWING NO RESTRICTED TO A1 C=1368458 -	
MATERIAL:		FINISH:		CUSTOMER DRAWING SCALE NTS SHEET 2 OF 2 REV H	