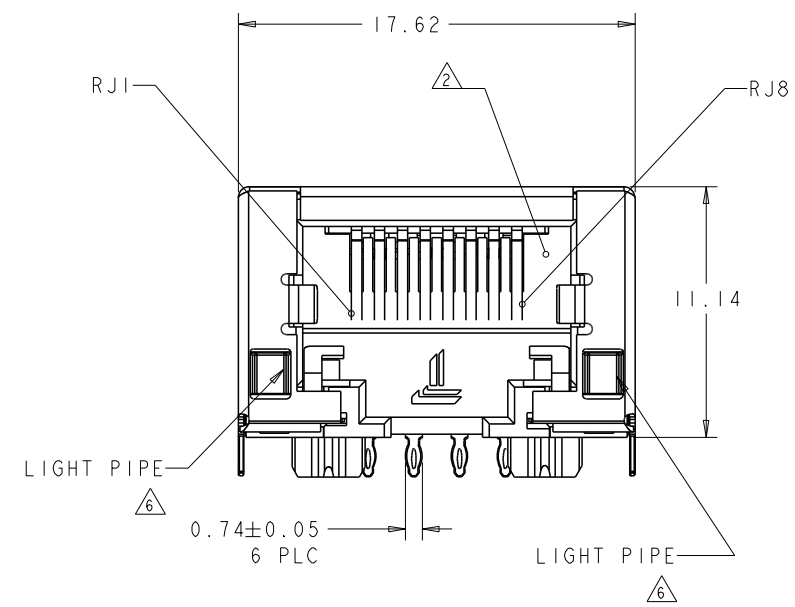
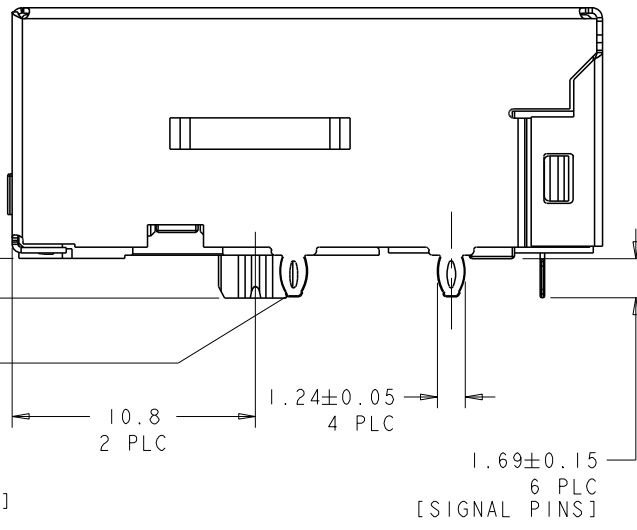
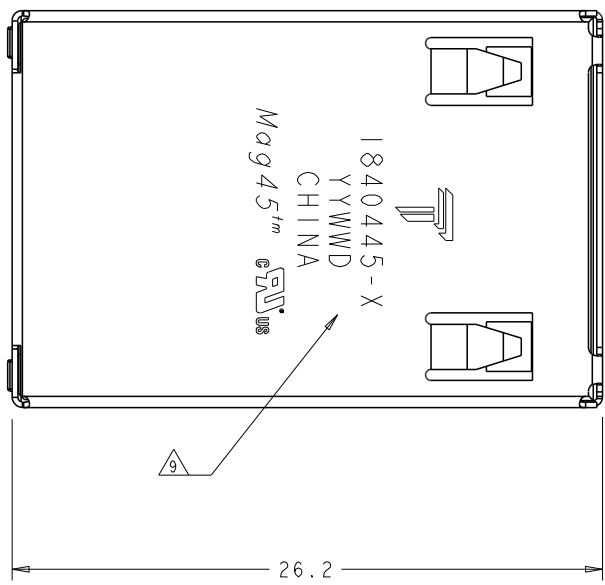
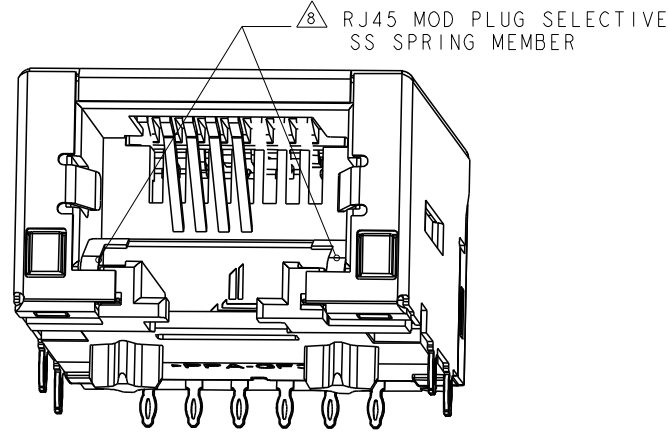
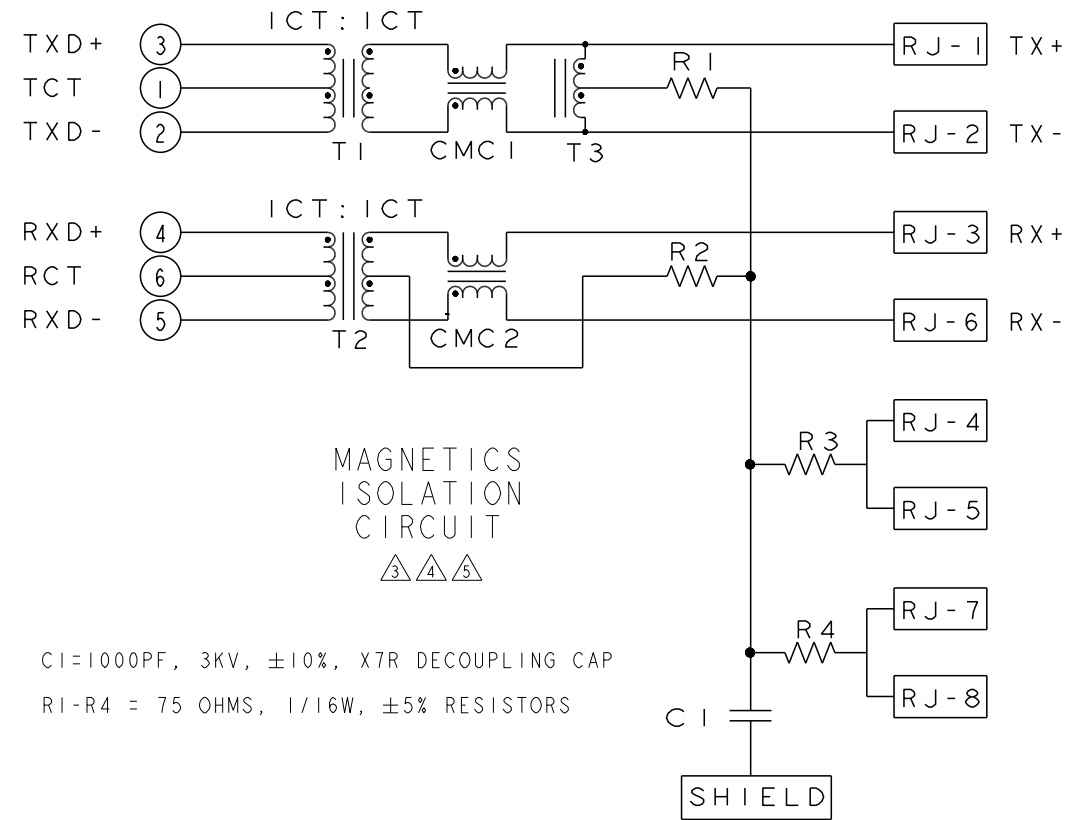


REVISIONS				
P	LYR	DESCRIPTION	DATE	APPD
D		LOGO CHANGE	25APR2013	TY KZ



814 10/100 BASE-T CIRCUIT



CI=1000PF, 3KV, ±10%, X7R DECOUPLING CAP  
 R1-R4 = 75 OHMS, 1/16W, ±5% RESISTORS

- △ MATERIALS:  
 -HOUSING: HIGH TEMPERATURE NYLON, BLACK, UL 94V-0  
 -SHIELD: 0.25mm THICK, BRASS PREPLATED WITH 0.76 μm MIN SEMI-BRIGHT NICKEL; POST-DIPPED WITH 2 μm MIN SAC 305 ALLOY LEAD FREE SOLDER (TIN PRIMARY, 3% SILVER, 0.5% COPPER)  
 -CONTACT TAILS: 0.20mm THICK, PHOSPHOR BRONZE, 1.27 μm MIN OVERALL NICKEL UNDERPLATE, 3 μm MIN TIN PLATE  
 -MOD JACK CONTACTS: 0.25mm THICK, PHOSPHOR BRONZE, 1.27 μm MIN OVERALL NICKEL UNDERPLATE, WITH 0.76 μm MIN LOCALIZED GOLD PLATE AT PLUG INTERFACE  
 -LIGHT PIPE: POLYETHER SULFONE

△ 2 RJ45 JACK CAVITY CONFORMS TO FCC RULES AND REGULATIONS PART 68, SUB-PART F.

- △ 3 MAGNETICS:  
 -APPLICATION: 10/100 BASE-T  
 -IMPEDANCE: 100Ω  
 -TURNS RATIO (CHIP:CABLE): TX 1:1, RX: 1:1  
 -OPEN CIRCUIT INDUCTANCE (OCL): 350μH (MIN) @100KHz, 0.1 VRMS  
 8 mA DC BIAS FROM 0°C TO 70°C, TX AND RX  
 -PERFORMANCE @25°C:

FREQUENCY	RETURN LOSS (dB MIN) CIRCUIT IMPEDANCE = 100 OHMS ±15%
0.5 MHz-30 MHz	18
30.1 MHz-60 MHz	18-20 log(f/30) f IS FREQUENCY IN MHz
60.1 MHz-80 MHz	12

FREQUENCY	INSERTION LOSS (dB MAX)	COMMON MODE REJECTION RATIO (dB MIN)	CROSSTALK ATTENUATION (dB MIN)
0.5 MHz-40 MHz	1.1	30	35
40.1 MHz-100 MHz			33-20log(f/50) (f IS FREQUENCY IN MHz)

- ISOLATION VOLTAGE: COMPLIES WITH IEEE802.3.2002, PARA 23.5.1.1, ITEM a AND b.

△ 4 THE MAGNETICS ARE ASYMMETRICAL, AND DO NOT SUPPORT AUTO-MDIX.

△ 5 OPERATING TEMPERATURE: FROM 0°C TO +70°C.

△ 6 LIGHT PIPES ARE USED TO TRANSMIT LIGHT OF SMD LED'S MOUNTED ON CUSTOMER BOARD.

△ 7 ALL DIMENSIONS ARE NOMINAL UNLESS OTHERWISE NOTED.

△ 8 RJ45 MOD PLUG SELECTIVE - THIS CONNECTOR UTILIZES STEEL SPRING MEMBER WHICH PREVENTS THE INSERTION OF A RJ11 (6 POSITION) PLUG INTO THE JACK PORT, WHILE ALLOWING A RJ45 (8 POSITION) PLUG TO MATE FREELY.

WARNING: THIS FEATURE WAS DEVELOPED FOR TYPICAL PLUG INSERTION FORCES. EXCESSIVE INSERTION FORCE MAY OVERCOME THE SELECTIVE FEATURES AND DAMAGE THE CONNECTOR.

△ 9 TRP CONNECTOR LOGO, TRADEMARK, PART NUMBER, DATE CODE, COUNTRY OF ORIGIN, AND AGENCY APPROVAL MARKING IN APPROXIMATE LOCATION SHOWN

10 1840445-1 SHOWN UNLESS OTHERWISE NOTED,

TOP AND SIDES	1840445-2
NONE	1840445-1
TABS	PART NO.

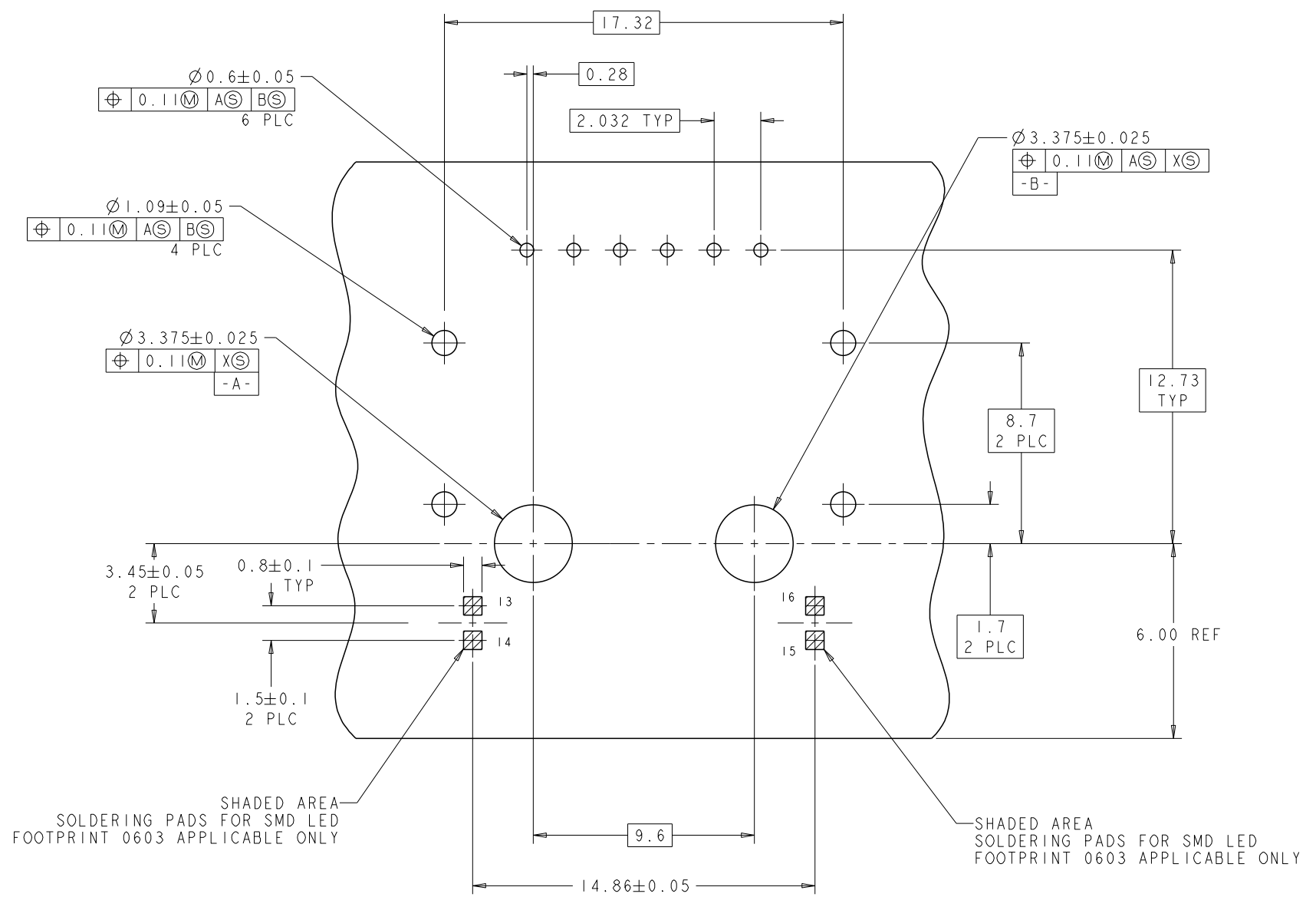
THIS DRAWING IS A CONTROLLED DOCUMENT.

DIMENSIONS: mm	TOLERANCES UNLESS OTHERWISE SPECIFIED:	0 PLC ±0.25	1 PLC ±0.25	2 PLC ±0.25	3 PLC ±0.25	4 PLC ±0.25	ANGLES ±	FINISH ±
----------------	--	-------------	-------------	-------------	-------------	-------------	----------	----------

MATERIAL: △ FINISH: △

OWN: TOWER YU 10SEP2007	CHK: KEITH ZHU 10SEP2007	APVD: TEDDY XILONG 10SEP2007
PRODUCT SPEC: 108-104009		
APPLICATION SPEC:		
NAME: IXI MAG45(TM), MODULAR JACK, PRESS FIT, 814 SERIES 10/100 CIRCUIT	SIZE: A1	CAGE CODE: C=1840445
RESTRICTED TO:	SCALE: NTS	SHEET 1 OF 2

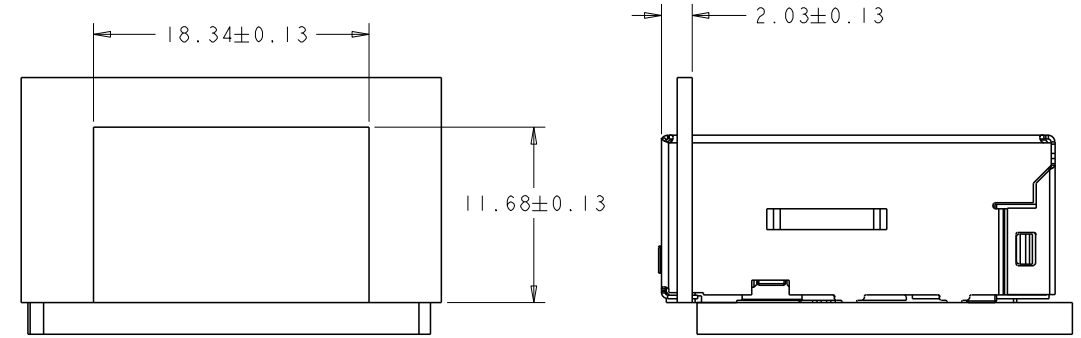
CUSTOMER DRAWING



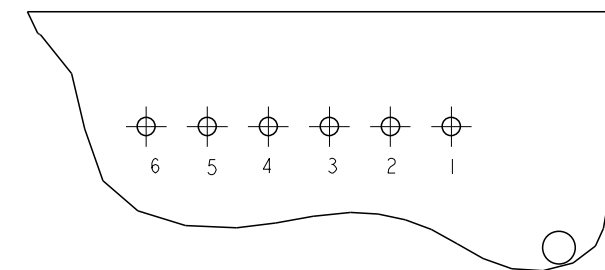
SHADED AREA  
SOLDERING PADS FOR SMD LED  
FOOTPRINT 0603 APPLICABLE ONLY

SHADED AREA  
SOLDERING PADS FOR SMD LED  
FOOTPRINT 0603 APPLICABLE ONLY

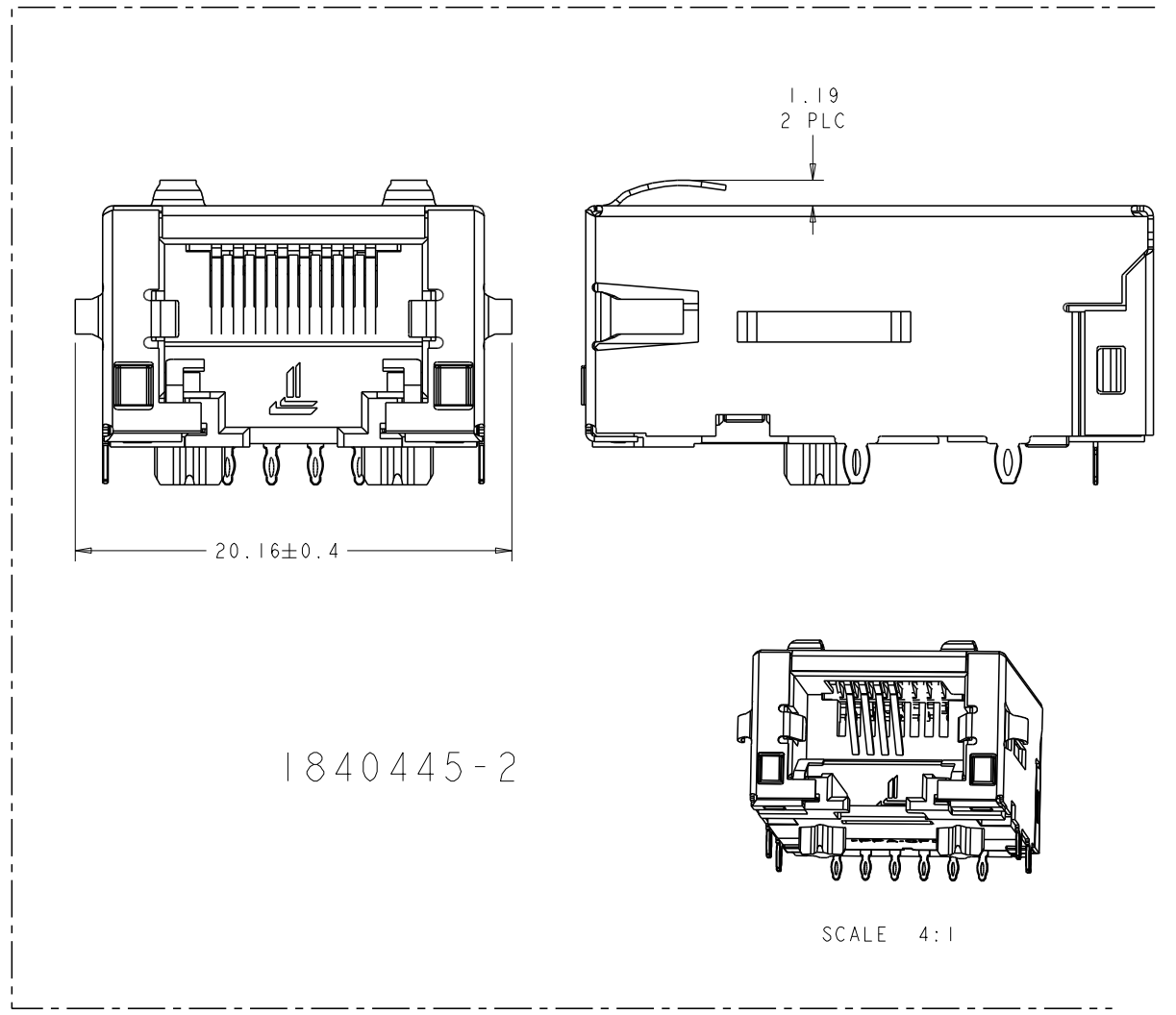
SUGGESTED PCB LAYOUT  
(COMPONENT SIDE)



SUGGESTED PANEL OPENING



PIN DESIGNATIONS



1840445-2

SCALE 4:1

THIS DRAWING IS A CONTROLLED DOCUMENT.		DRN TOWER YU 10SEP2007	 TRP connector Dongguan China
DIMENSIONS: mm		CHK WEI LI ZHU 10SEP2007	
TOLERANCES UNLESS OTHERWISE SPECIFIED:		APPD TEDDY XILONG	PRODUCT SPEC 108-104009
0 PLC	±		NAME IXI MAG45(TM), MODULAR JACK, PRESS FIT, 814 SERIES 10/100 CIRCUIT
1 PLC	±0.25		SIZE A1
2 PLC	±0.25		CAGE CODE C=1840445
3 PLC	±		DRAWING NO -
4 PLC	±		RESTRICTED TO -
ANGLES	±		SCALE NTS
MATERIAL		WEIGHT	SHEET 2 OF 2
FINISH			REV D
CUSTOMER DRAWING			