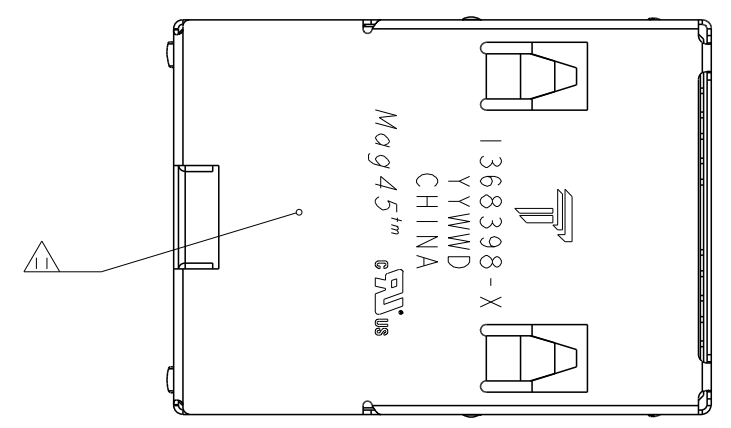
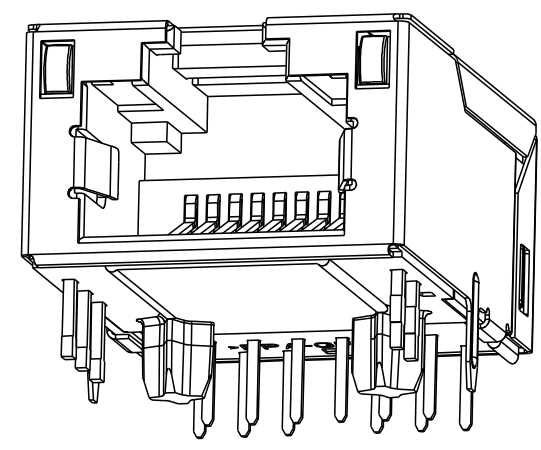
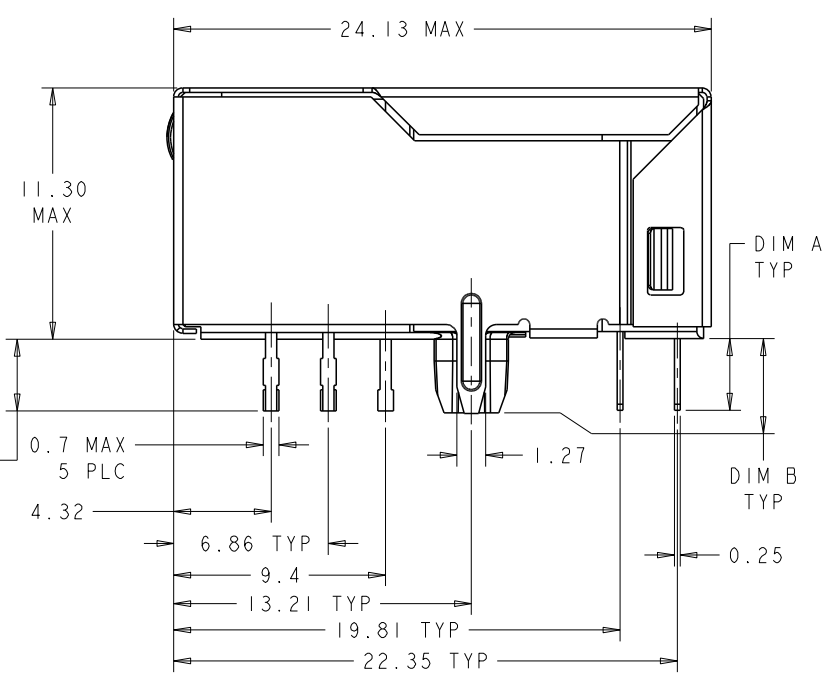
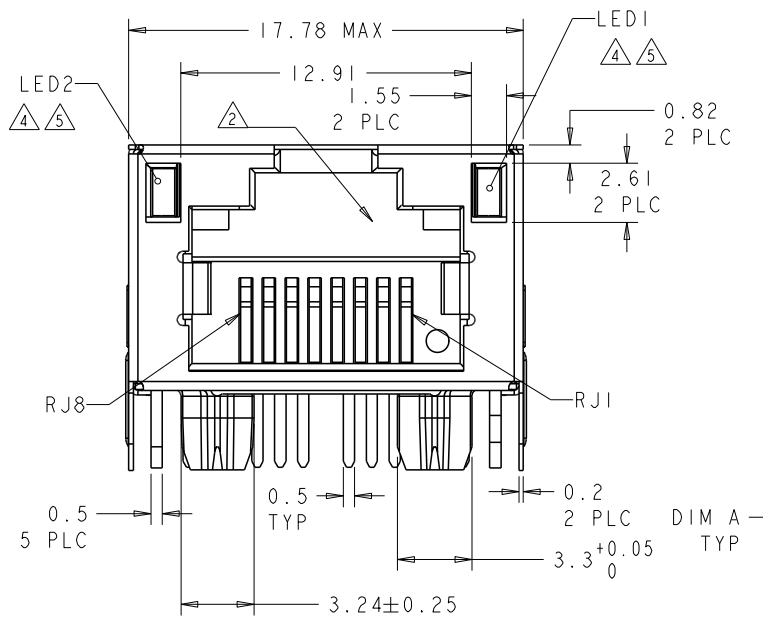


REVISIONS				
P	LTB	DESCRIPTION	DATE	APPD
P		LOGO CHANGE	07MAY2013	TY KZ



- △ MATERIALS:
  - HOUSING: HIGH TEMPERATURE NYLON, BLACK, UL 94V-0
  - SHIELD: 0.20mm THICK, BRASS PREPLATED WITH 1.27μm MIN SEMI-BRIGHT NICKEL; POST-DIPPED WITH 2μm MIN SAC 305 ALLOY LEAD FREE SOLDER (TIN PRIMARY, 3% SILVER, 0.5% COPPER)
  - CONTACT TAILS: 0.25mm THICK, PHOSPHOR BRONZE, 1.27 μm MIN OVERALL NICKEL UNDERPLATE, 3μm MIN TIN PLATE
  - MOD JACK CONTACTS: 0.25mm THICK, PHOSPHOR BRONZE, 1.27 μm MIN OVERALL NICKEL UNDERPLATE, WITH 0.76μm MIN LOCALIZED GOLD PLATE AT PLUG INTERFACE
  - LIGHT EMITTING DIODE (LED): DIFFUSED EPOXY LENS, 0.5mm X 0.5mm CARBON STEEL WIREFRAME LEADS PREPLATED WITH 2.03μm MIN. SILVER PLATE OVER 1.02μm MIN. NICKEL OVER 1.02μm MIN. COPPER UNDERPLATE; LEADS POST-PLATED WITH 3.05μm MIN. MATTE TIN.
  - LIGHT PIPE: POLYCARBONATE
- △ RJ45 JACK CAVITY CONFORMS TO FCC RULES AND REGULATIONS PART 68, SUB-PART F.
- △ MAGNETICS:
  - IMPEDANCE: 100 OHMS
  - TRANSMIT OPEN CIRCUIT INDUCTANCE (OCL): 350μH (MIN) @100KHz, 0.1 VRMS WITH 8 mA DC BIAS.
  - TURNS RATIO (CHIP:CABLE): TX 1:1, RX: 1:1



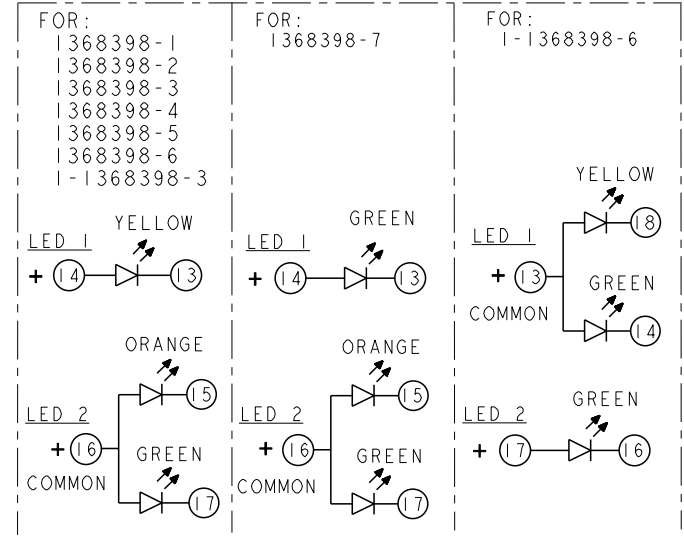
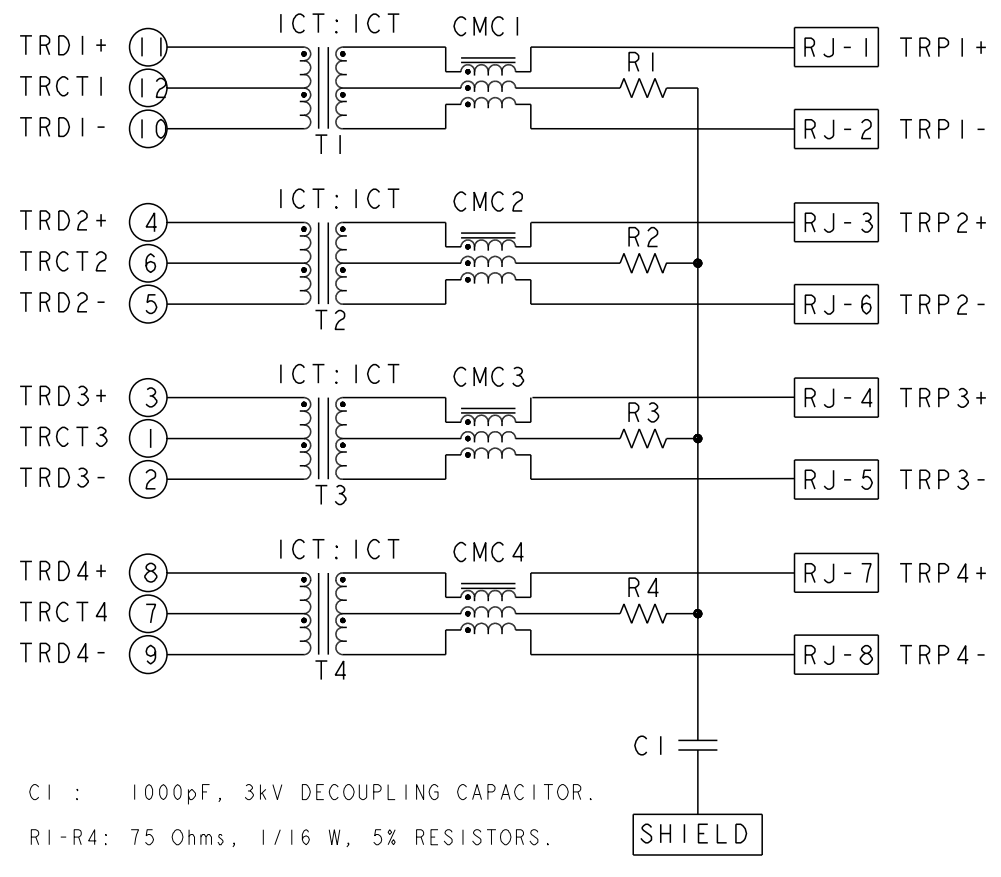
- PERFORMANCE:
  - TRANSMIT BIDIRECTIONAL ALL 4 PAIRS
  - RECEIVE BIDIRECTIONAL ALL 4 PAIRS

FREQUENCY	INSERTION LOSS (dB MAX)	RETURN LOSS (dB MIN) CIRCUIT IMPEDANCE = 100 OHMS ±15%	COMMON MODE REJECTION RATIO (dB MIN)	CROSSTALK ATTENUATION (dB MIN)
0.5 MHz - 40.0 MHz	1.2	18.0	30	35
40.0 MHz - 100.0 MHz		12-20 log(f/80) f IS FREQUENCY IN MHz		33-20 log(f/50) f IS FREQUENCY IN MHz

ALL MAGNETIC ELECTRICAL CHARACTERISTICS RATED @ 25°C

- DIELECTRIC (ISOLATION VOLTAGE):
  - 2250 VDC (1 mA CUTOFF CURRENT) FOR 60 SECONDS DURATION BETWEEN CABLE CONTACTS AND PCB CONTACTS (INCLUDING SHIELD).
  - 1500 VRMS (10 mA CUTOFF CURRENT) FOR 60 SECONDS DURATION BETWEEN CABLE CONTACTS AND PCB CONTACTS (INCLUDING SHIELD).
  - ALL BRIDGED ON EITHER SIDE OF MAGNETICS PACKAGE FOR RJ-45 CONTACTS.
- OPERATING TEMPERATURE: FROM 0°C TO +70°C.

1G18 GIGABIT CIRCUIT △



TRAY	LED 1	LED 2	RJ11 SELECTIVE CAPABILITY	GROUND TABS	DIM B	DIM A	PART NO.
GREEN/YELLOW	GREEN	GREEN	YES	NO	3.3	3.18	1-1368398-6
YELLOW	GREEN/ORANGE	GREEN/ORANGE	YES	TOP AND SIDES	1.8	1.8	1-1368398-3
GREEN	GREEN/ORANGE	GREEN/ORANGE	YES	TOP AND SIDES	3.3	3.18	1368398-7
YELLOW	GREEN/ORANGE	GREEN/ORANGE	NO	TOP ONLY	3.3	3.18	1368398-6
YELLOW	GREEN/ORANGE	GREEN/ORANGE	YES	NO	1.8	1.8	1368398-5
YELLOW	GREEN/ORANGE	GREEN/ORANGE	YES	TOP AND SIDES	3.3	3.18	1368398-4
YELLOW	GREEN/ORANGE	GREEN/ORANGE	YES	TOP AND SIDES	1.8	1.8	1368398-3
YELLOW	GREEN/ORANGE	GREEN/ORANGE	YES	TOP ONLY	1.8	1.8	1368398-2
YELLOW	GREEN/ORANGE	GREEN/ORANGE	NO	NO	3.3	3.18	1368398-1

- △ LED COMPLIANT WITH IEC60825-1 SAFETY OF LASER PRODUCTS. WHEN OPERATED UP TO 20mA.
- △ LED PEAK WAVELENGTH:
  - GREEN = 565±5nm
  - YELLOW = 591±5nm
  - ORANGE = 607±5nm
- △ LED 2 WILL EMULATE "YELLOW" LIGHT WHEN BOTH GREEN AND ORANGE DIODES ARE DRIVEN AT CONSTANT CURRENT (20 mA RECOMMENDED) TO INDICATE THE THIRD COLOR STATES.
- △ ALL DIMENSIONS NOMINAL UNLESS OTHERWISE NOTED.
- 8. 1368398-1 SHOWN UNLESS OTHERWISE NOTED.
- △ RJ45 MOD PLUG SELECTIVE - THIS CONNECTOR UTILIZES STAINLESS STEEL SPRING MEMBER WHICH PREVENTS THE INSERTION OF A RJ11 (6 POSITION) PLUG INTO THE JACK PORT, WHILE ALLOWING A RJ45 (8 POSITION) PLUG TO MATE FREELY.
  - WARNING: THIS FEATURE WAS DEVELOPED FOR TYPICAL PLUG INSERTION FORCES. EXCESSIVE INSERTION FORCE MAY OVERCOME THE SELECTIVE FEATURES AND DAMAGE THE CONNECTOR.
- △ APPLIES ONLY TO 1368398-3, 1368398-4, 1369398-7 AND 1-1368398-3.
- △ TRP CONNECTOR LOGO, PART NUMBER, DATE CODE, PLACE OF ORIGIN TO BE MARKED IN APPROXIMATE LOCATION AS SHOWN. DATE CODE: "YY" IS YEAR, "WW" IS WORK WEEK, "D" IS DAY OF WEEK, WITH SUNDAY=1

12. THESE PARTS ARE COMPLIANT TO BOTH WAVE SOLDERING PROCESS, PREHEAT TEMPERATURE IS 150°C, 120 SECONDS TO 180 SECONDS, PEAK SOLDERING TEMPERATURE IS 265°C MAX, 10 SECONDS MAX; AND IR REFLOW SOLDERING PROCESS, PEAK SOLDERING TEMPERATURE 260°C MAX DURATION TIME 10 SECONDS MAX, OVER 230°C WITHIN 40-60 SECONDS.

CI : 1000pF, 3kV DECOUPLING CAPACITOR.  
 R1-R4: 75 Ohms, 1/16 W, 5% RESISTORS.

THIS DRAWING IS A CONTROLLED DOCUMENT.

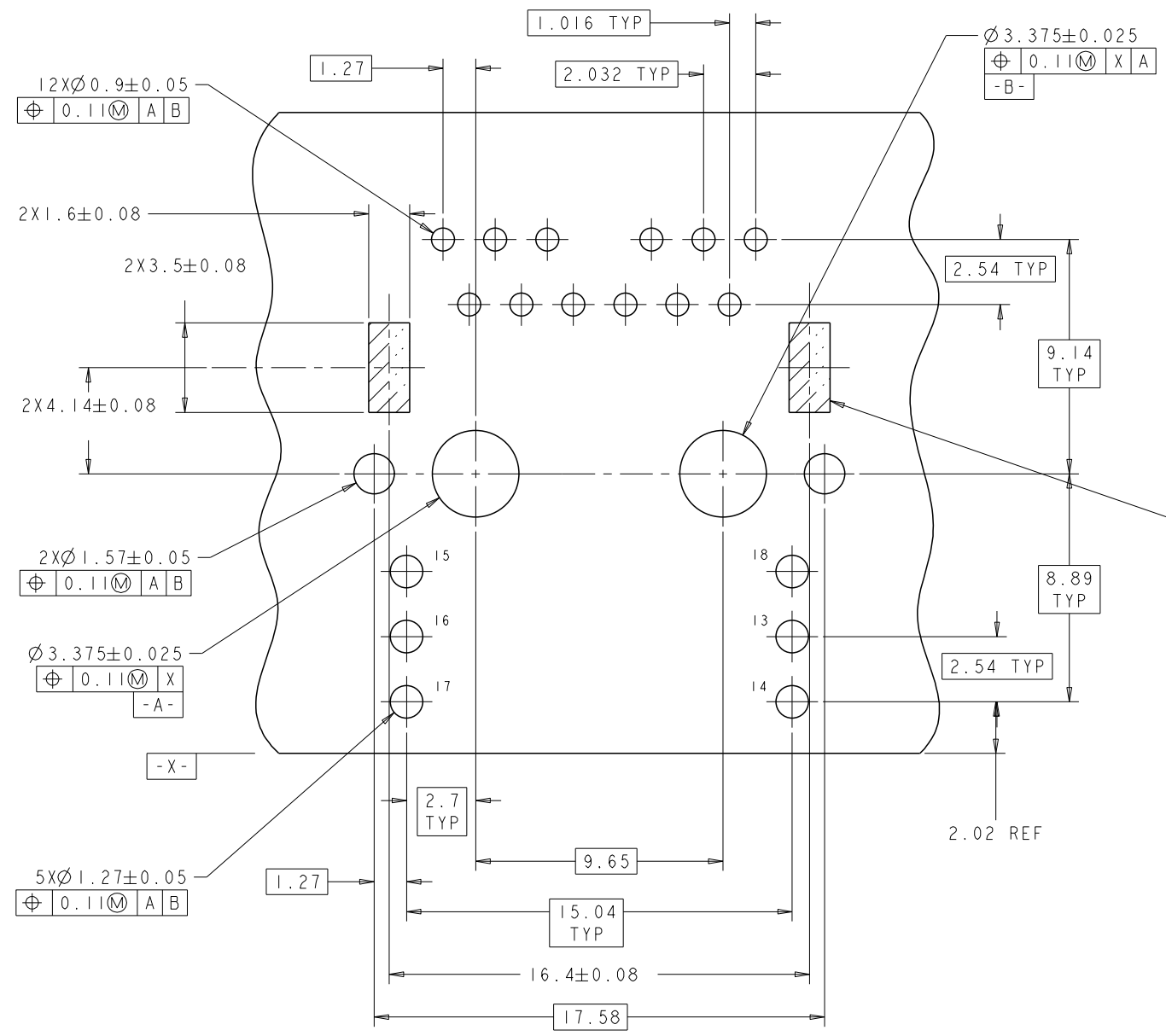
DIMENSIONS: mm	TOLERANCES UNLESS OTHERWISE SPECIFIED:	0 PLC ±0.25	1 PLC ±0.25	2 PLC ±0.25	3 PLC ±0.25	4 PLC ±0.25
MATERIAL: △	FINISH: △	APPROVED: N. REESER 9FEB2004				

TRP connector Dongguan China

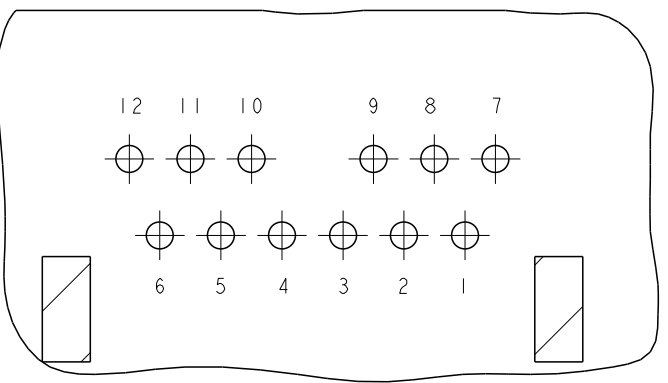
NAME: 1X1 MAG45(TM) JACK, 1G18 GIGABIT SHIELDED, LEDS, SELECTIVE CAPABILITY

SIZE: A1 CAGE CODE: 114- DRAWING NO: C=1368398

CUSTOMER DRAWING SCALE: NTS SHEET 1 OF 2 REV P

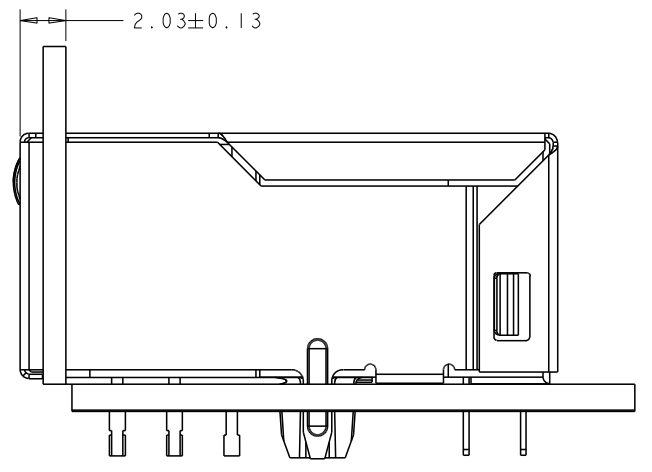
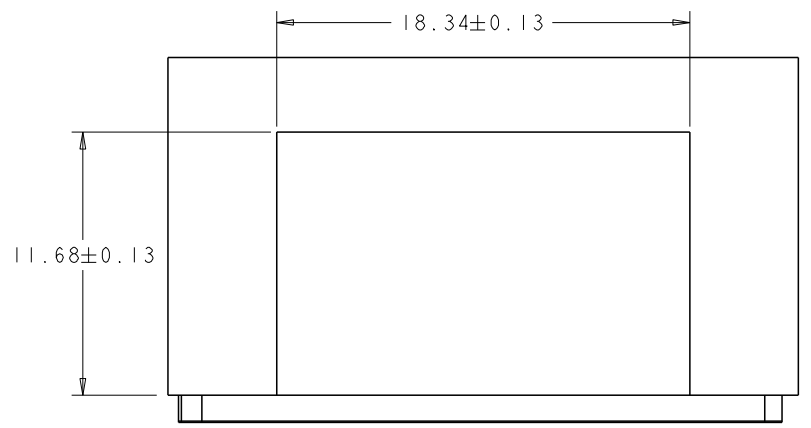
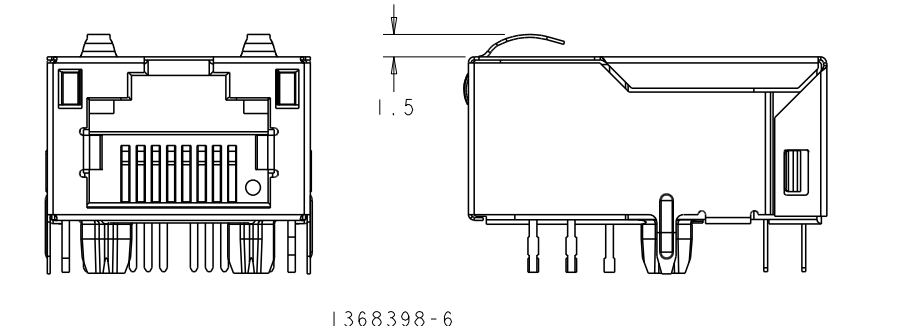
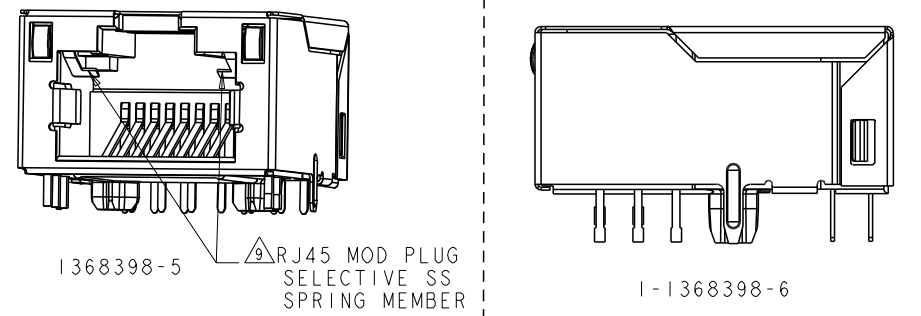
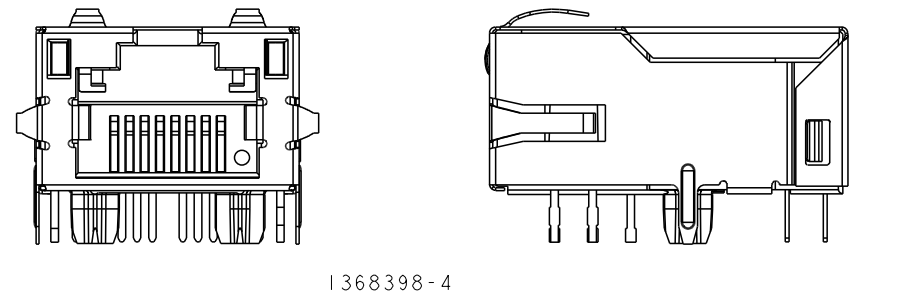
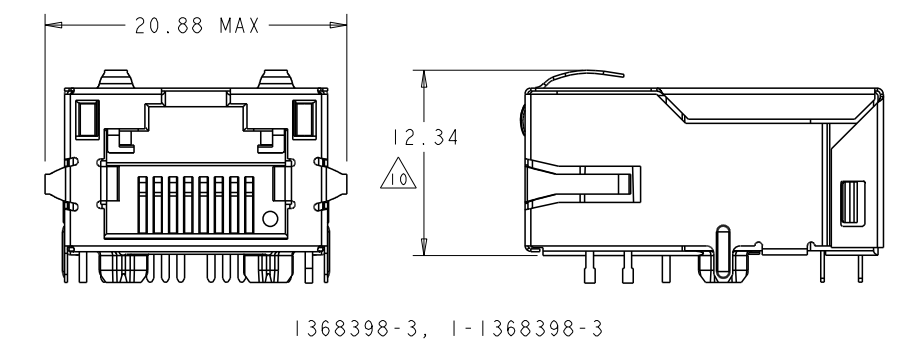
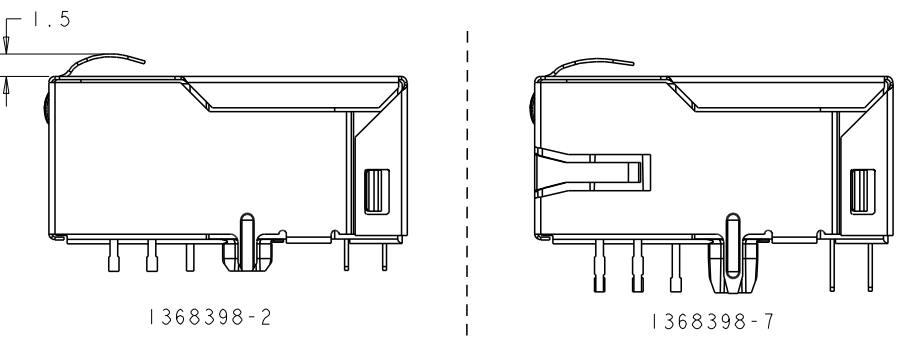


SUGGESTED PCB LAYOUT  
(COMPONENT SIDE)



PIN DESIGNATIONS

IT IS RECOMMENDED THAT SHADED AREA OF CUSTOMER PC BOARD BE CLEAR OF ANY VIA HOLE, COMPONENT AND CIRCUIT TRACE



THIS DRAWING IS A CONTROLLED DOCUMENT.		DWN: ERIC BRIANT 15MAY2003 CHK: N. REESER 9FEB2004 APFD: N. REESER 9FEB2004	TRP connector Dongguan China
DIMENSIONS: mm TOLERANCES UNLESS OTHERWISE SPECIFIED: 0 PLC ±0.25 1 PLC ±0.25 2 PLC ±0.25 3 PLC ±0.25 4 PLC ±0.25 ANGLES ±0.5 FINISH:		PRODUCT SPEC: 108-2207 APPLICATION SPEC: 114- WEIGHT: - MATERIAL: -	
NAME: 1X1 MAG45(TM) JACK, 1G18 GIGABIT SHIELDED, LEDS, SELECTIVE CAPABILITY SIZE: A1 CAGE CODE: C=1368398 DRAWING NO: 1368398-6 SCALE: NTS SHEET: 2 OF 2 REV: P		RESTRICTED TO: -	