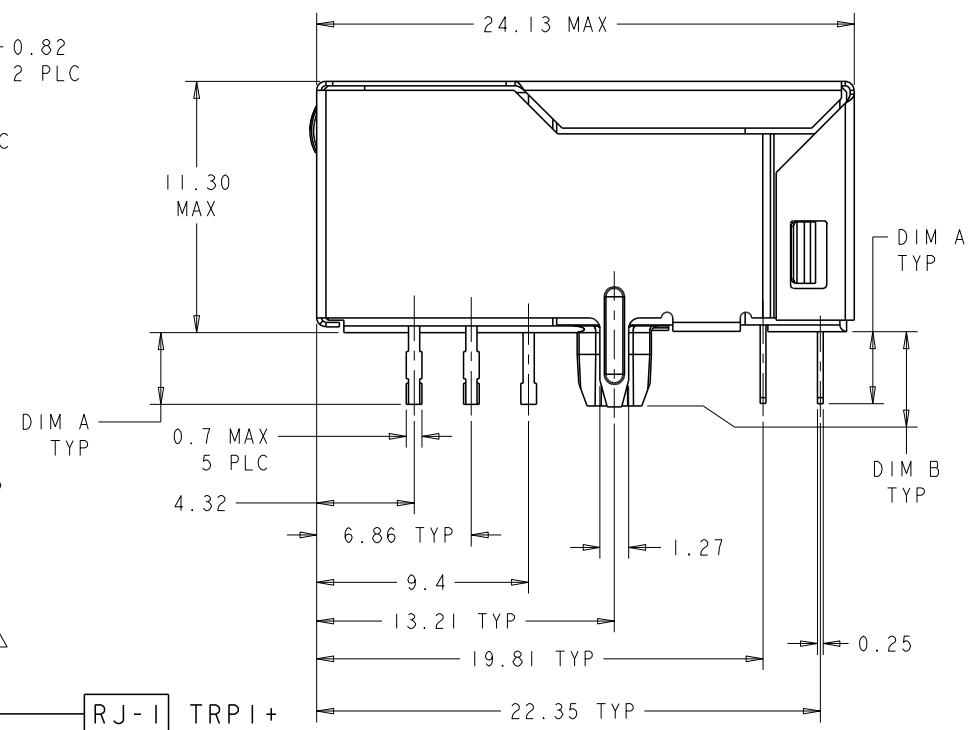
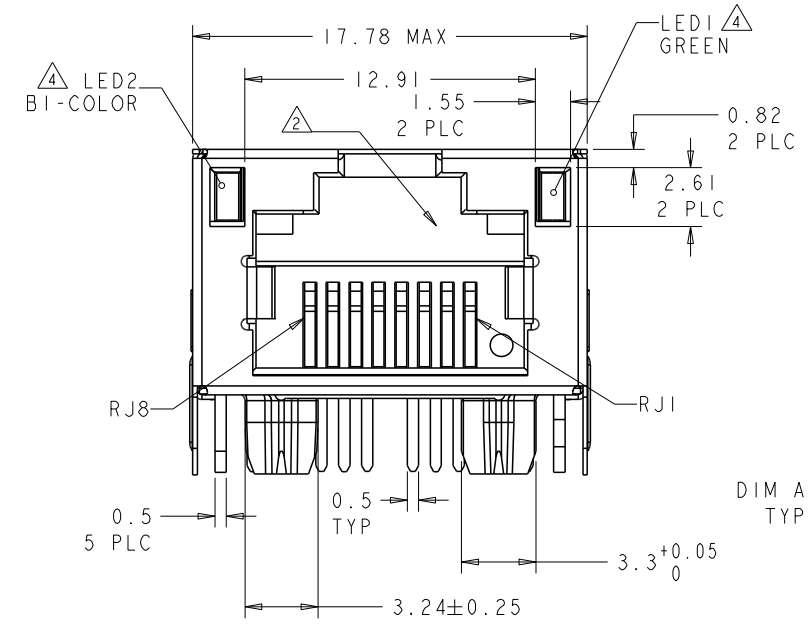
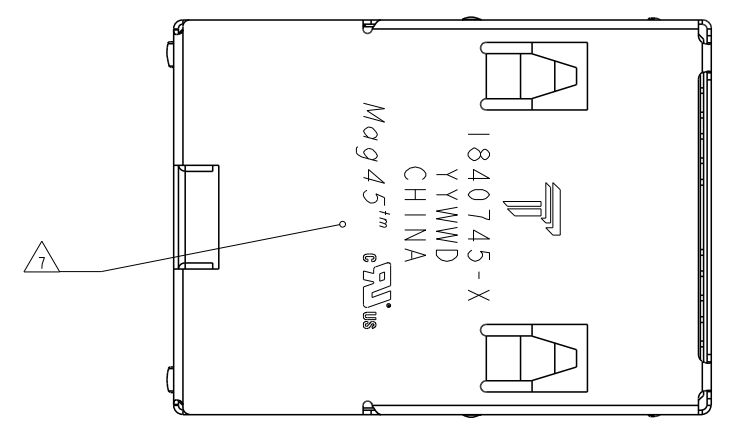
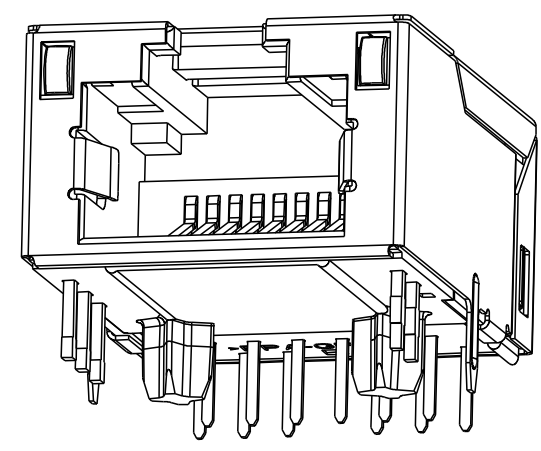
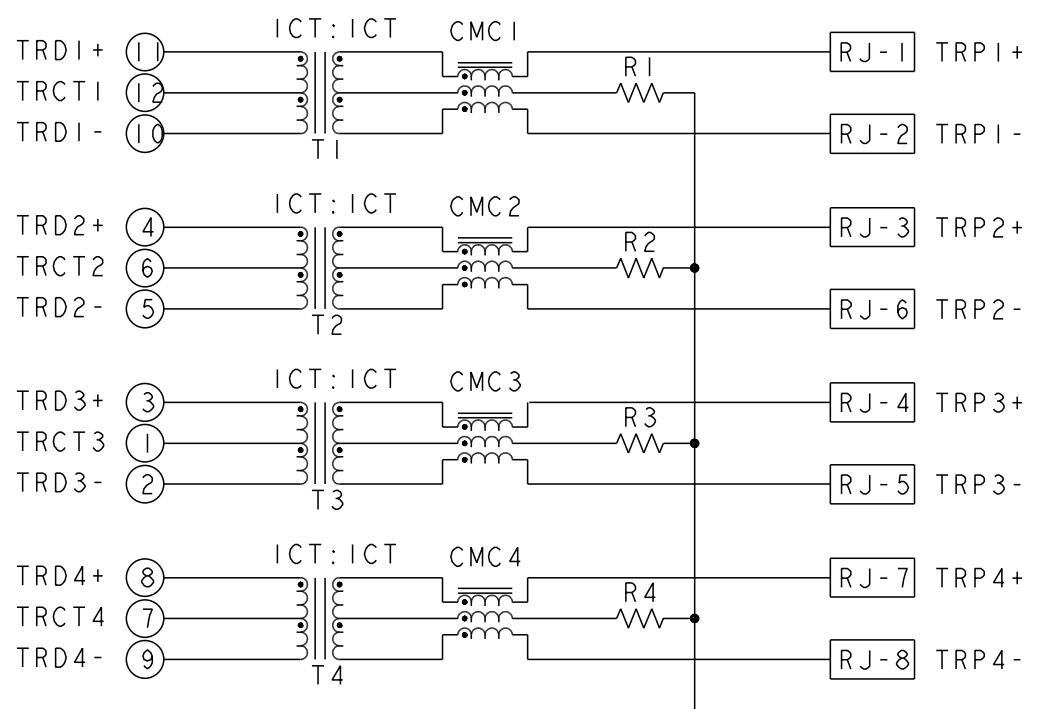


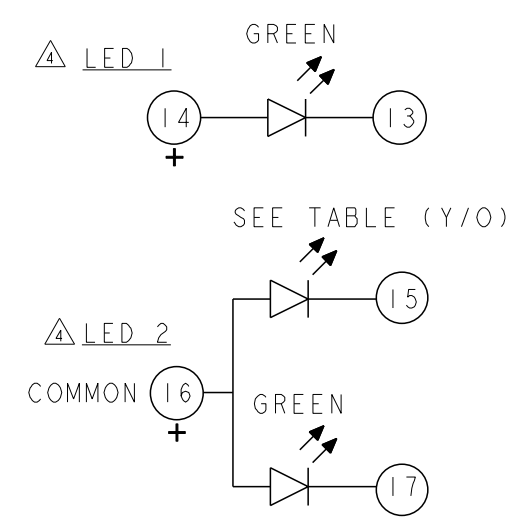
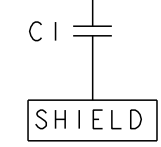
REVISIONS				
P	LYR	DESCRIPTION	DATE	BY
H		LOGO CHANGE	08MAY2013	TY KZ



IG18 GIGABIT CIRCUIT



C1 : 1000pF, 3KV DECOUPLING CAPACITOR.
 R1-R4: 75 OHMS, 1/16 W, 5% RESISTORS.



- MATERIALS:
 - HOUSING: HIGH TEMPERATURE NYLON, BLACK, UL 94V-0
 - SHIELD: 0.20mm THICK, BRASS PREPLATED WITH 1.27um MIN SEMI-BRIGHT NICKEL; POST-DIPPED WITH 2um MIN SAC 305 ALLOY LEAD FREE SOLDER (TIN PRIMARY, 3% SILVER, 0.5% COPPER)
 - CONTACT TAILS: 0.25mm THICK, PHOSPHOR BRONZE, 1.27 um MIN OVERALL NICKEL UNDERPLATE, 3um MIN TIN PLATE
 - MOD JACK CONTACTS: 0.25mm THICK, PHOSPHOR BRONZE, 1.27 um MIN OVERALL NICKEL UNDERPLATE, WITH 0.76um (1.27um SELECTIVE) MIN LOCALIZED GOLD PLATE AT PLUG INTERFACE
 - LIGHT EMITTING DIODE (LED): DIFFUSED EPOXY LENS, 0.5mm X 0.5mm CARBON STEEL WIREFRAME LEADS PREPLATED WITH 2.03um MIN. SILVER PLATE OVER 1.02um MIN. NICKEL OVER 1.02um MIN. COPPER UNDERPLATE; LEADS POST-PLATED WITH 3.05um MIN. MATTE TIN.
 - LIGHT PIPE: POLYCARBONATE

RJ45 JACK CAVITY CONFORMS TO FCC RULES AND REGULATIONS PART 68, SUB-PART F.

- MAGNETICS:
 - IMPEDANCE: 100 OHMS
 - TRANSMIT OPEN CIRCUIT INDUCTANCE (OCL): 350uH (MIN) @100KHz, 0.1 VRMS WITH 8 mA DC BIAS.
 - TURNS RATIO (CHIP:CABLE): TX 1:1, RX: 1:1
- PERFORMANCE:
 - TRANSMIT BIDIRECTIONAL ALL 4 PAIRS
 - RECEIVE BIDIRECTIONAL ALL 4 PAIRS

FREQUENCY	INSERTION LOSS (dB MAX)	RETURN LOSS (dB MIN) CIRCUIT IMPEDANCE = 100 OHMS ±15%	COMMON MODE REJECTION RATIO (dB MIN)	CROSSTALK ATTENUATION (dB MIN)
0.5 MHz-40.0 MHz	1.2	18.0	30	35
40.0 MHz-100.0 MHz		12-20 log(f/80) f IS FREQUENCY IN MHZ		33-20 log(f/50) f IS FREQUENCY IN MHZ

ALL MAGNETIC ELECTRICAL CHARACTERISTICS RATED @ 25°C

- DIELECTRIC (ISOLATION VOLTAGE):
 - 2250 VDC (1 mA CUTOFF CURRENT) FOR 60 SECONDS DURATION BETWEEN CABLE CONTACTS AND PCB CONTACTS (INCLUDING SHIELD).
 - 1500 VRMS (10 mA CUTOFF CURRENT) FOR 60 SECONDS DURATION BETWEEN CABLE CONTACTS AND PCB CONTACTS (INCLUDING SHIELD).
 - ALL BRIDGED ON EITHER SIDE OF MAGNETICS PACKAGE FOR RJ-45 CONTACTS.
- OPERATING TEMPERATURE: FROM 0° TO +70°C.

- LED IS WITH CONSTANT CURRENT AT APPROX 20mA.
 LED COLOR:
 - DONINANT WAVELENGTH(λD), GREEN = 565±5nm TYP. at IF=20mA FORWARD VOLTAGE(VF), GREEN 2.2V TYP. at IF=20mA.
 - DONINANT WAVELENGTH(λD), YELLOW = 591±5nm TYP. at IF=20mA FORWARD VOLTAGE(VF), YELLOW 2.1V TYP. at IF=20mA.
 - DONINANT WAVELENGTH(λD), ORANGE = 605±5nm TYP. at IF=20mA FORWARD VOLTAGE(VF), YELLOW 2.1V TYP. at IF=20mA.

- ALL DIMENSIONS NOMINAL UNLESS OTHERWISE NOTED.
- RJ45 MOD PLUG SELECTIVE - THIS CONNECTOR UTILIZES STAINLESS STEEL SPRING MEMBER WHICH PREVENTS THE INSERTION OF A RJ11 (6 POSITION) PLUG INTO THE JACK PORT, WHILE ALLOWING A RJ45 (8 POSITION) PLUG TO MATE FREELY.

WARNING: THIS FEATURE WAS DEVELOPED FOR TYPICAL PLUG INSERTION FORCES. EXCESSIVE INSERTION FORCE MAY OVERCOME THE SELECTIVE FEATURES AND DAMAGE THE CONNECTOR.

- TRP CONNECTOR LOGO, PART NUMBER, DATE CODE, COUNTRY OF ORIGIN AND AGENCY APPROVAL MARKING IN APPROXIMATE LOCATION SHOWN.

- THESE PARTS ARE COMPLIANT TO BOTH WAVE SOLDERING PROCESS, PREHEAT TEMPERATURE IS 150°C ABOVE, 120 SECONDS TO 180 SECONDS, PEAK SOLDERING TEMPERATURE IS 265°C MAX, 10 SECONDS MAX; AND IR REFLOW SOLDERING PROCESS, PEAK SOLDERING TEMPERATURE 260°C MAX DURATION TIME 10 SECONDS MAX, OVER 230°C WITHIN 40 - 60 SECONDS.

- 1840745-1 SHOWN UNLESS OTHERWISE NOTED

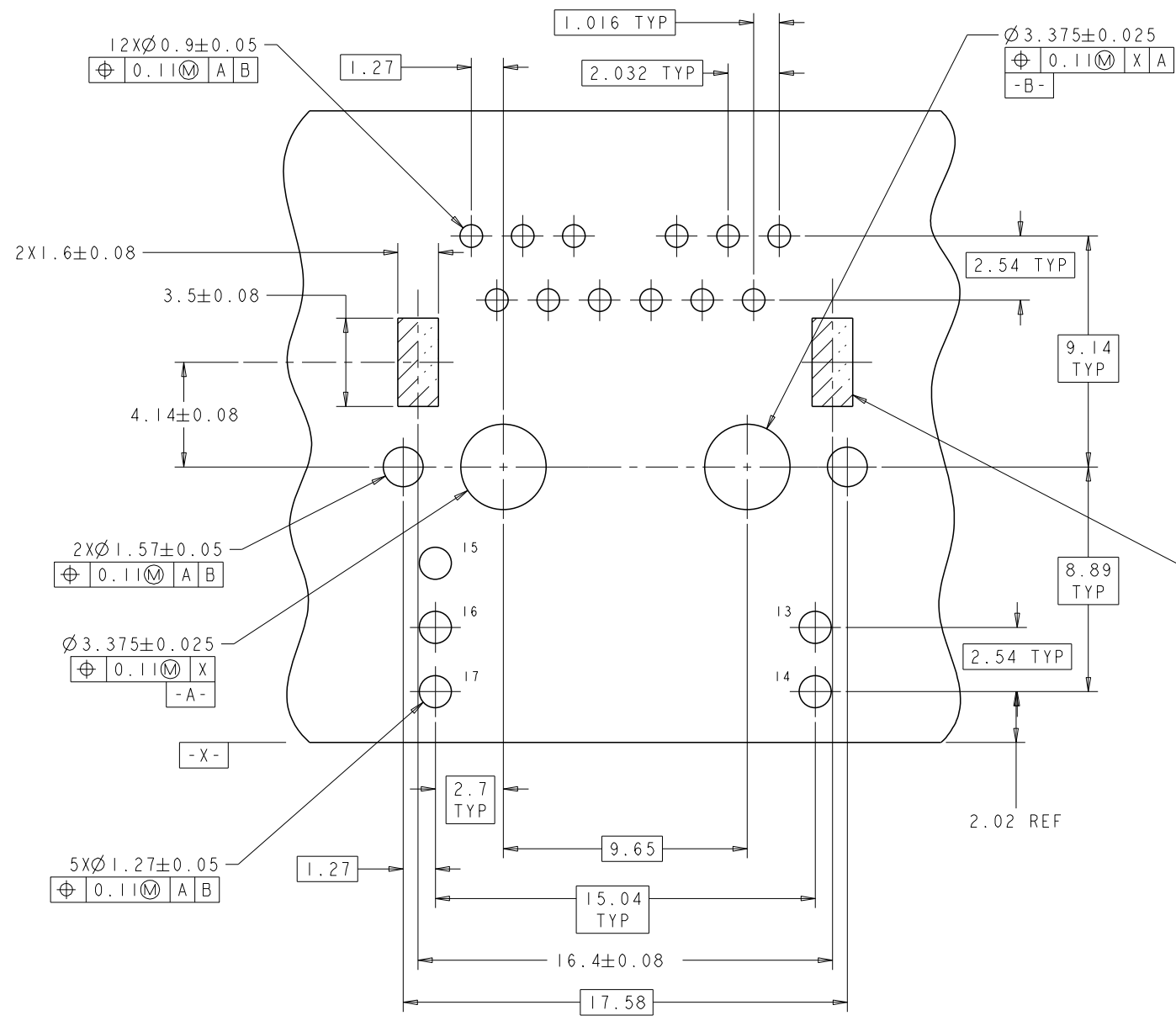
WAVE	WAVELENGTH	LED COLOR	LED 2	RJ11 SELECTIVE CAPABILITY	GROUND TABS	DIM B	DIM A	PART NO.
WAVE	1.27um	GREEN/ORANGE	NO	TOP AND SIDES	3.30	3.18	1840745-7	
WAVE	0.76um	GREEN/YELLOW	NO	TOP ONLY	3.30	3.18	1840745-6	
WAVE	0.76um	GREEN/YELLOW	YES	NO	1.8	1.8	1840745-5	
WAVE	0.76um	GREEN/YELLOW	YES	TOP AND SIDES	3.3	3.18	1840745-4	
REFLOW	0.76um	GREEN/YELLOW	YES	TOP AND SIDES	1.8	1.8	1840745-3	
	0.76um	GREEN/YELLOW	YES	TOP ONLY	1.8	1.8	1840745-2	
WAVE	0.76um	GREEN/YELLOW	NO	NO	3.3	3.18	1840745-1	

OBSOLETE

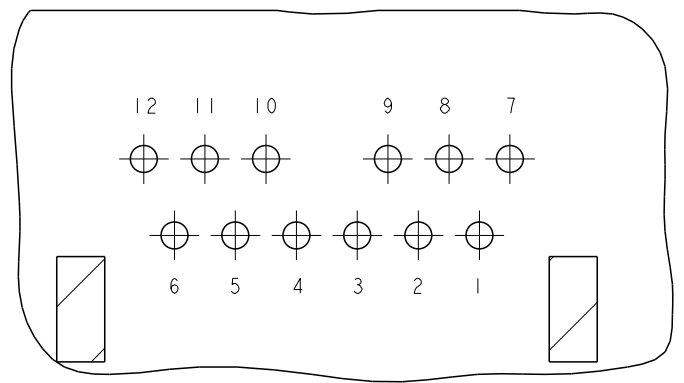
THIS DRAWING IS A CONTROLLED DOCUMENT.

DW: RANDY QU	20MAR2008		TRP connector
CHK: LIJUN RAO	20MAR2008		Dongguan China
APVD: TEDDY XIANG	20MAR2008		
NAME: IXI MAG45(TM), MODULAR JACK, IG18 GIGABIT LOW PROFILE			
DIMENSIONS: mm	TOLERANCES UNLESS OTHERWISE SPECIFIED:	SIZE: A1	RESTRICTED TO
0 PLC ±0.25	1 PLC ±0.25	SCALE: NTS	SHEET 1 OF 2
2 PLC ±0.25	3 PLC ±	REV: H	
4 PLC ±	ANGLES ±		
MATERIAL: 1	FINISH: 1		

Customer Drawing

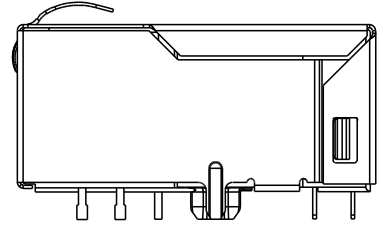


SUGGESTED PCB LAYOUT
 (COMPONENT SIDE)

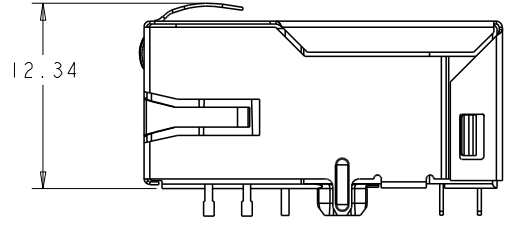
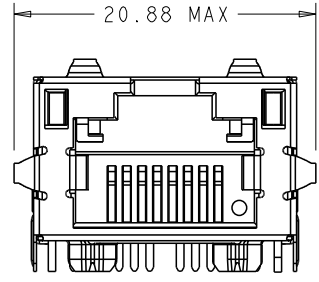


PIN DESIGNATIONS

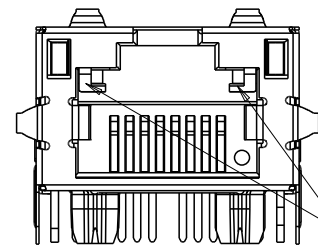
IT IS RECOMMENDED THAT SHADED AREA OF CUSTOMER PC BOARD BE CLEAR OF ANY VIA HOLE, COMPONENT AND CIRCUIT TRACE



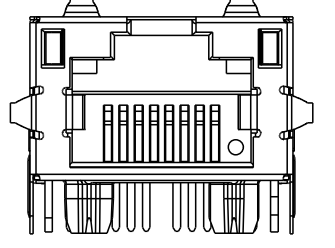
1840745-2



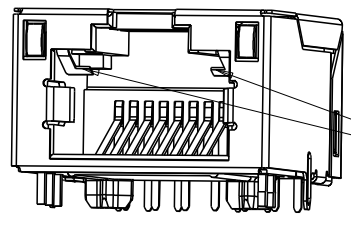
1840745-3



1840745-4

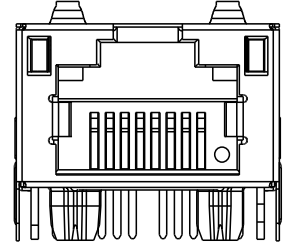


1840745-7

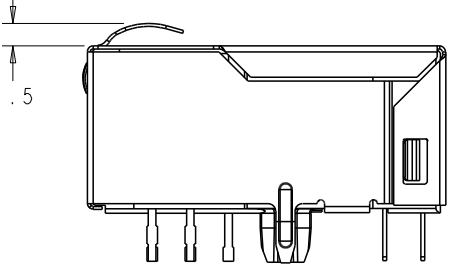


1840745-5

△ RJ45 MOD PLUG SELECTIVE SS SPRING MEMBER



1840745-6



THIS DRAWING IS A CONTROLLED DOCUMENT.		DWN RANDY QU 20MAR2008		TRP connector Dongguan China	
DIMENSIONS: mm		CHK LILUN RAO 20MAR2008			
TOLERANCES UNLESS OTHERWISE SPECIFIED:		APVD TEDDY XILONG 20MAR2008		NAME IXI MAG45(TM), MODULAR JACK, 1G18 GIGABIT LOW PROFILE	
0 PLC ± 1 PLC ±0.25 2 PLC ±0.25 3 PLC ± 4 PLC ± ANGLES ±		PRODUCT SPEC 108-2207 APPLICATION SPEC 114- WEIGHT -		SIZE A1 CAGE CODE C=1840745 SCALE NTS	
MATERIAL:		FINISH:		RESTRICTED TO -	
				SHEET 2 OF 2 REV H	