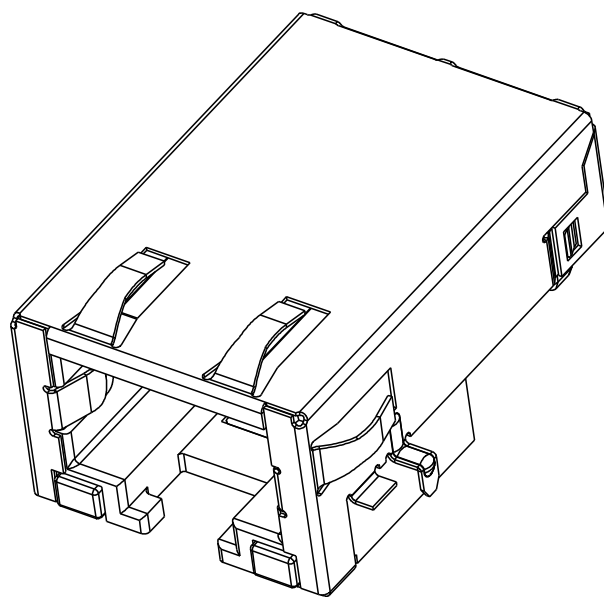
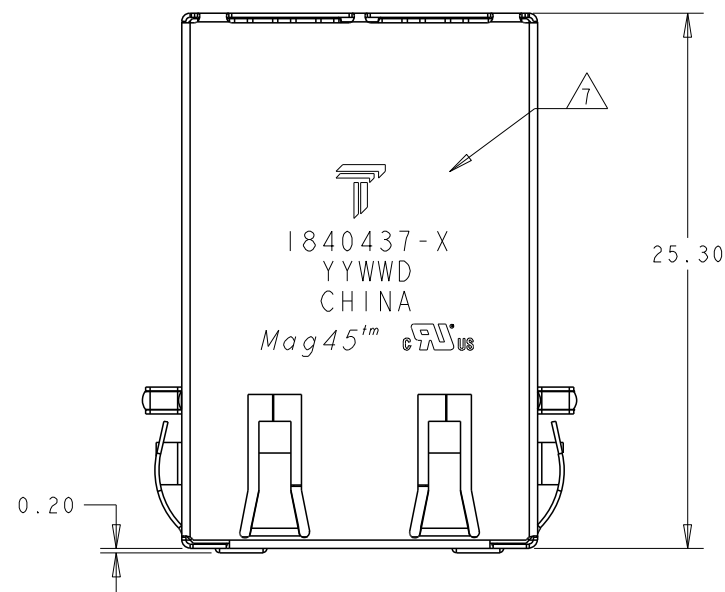


REVISIONS				
P	LTR	DESCRIPTION	DATE	DWN APVD
	G	LOGO CHANGE	28APR2013	TY KZ



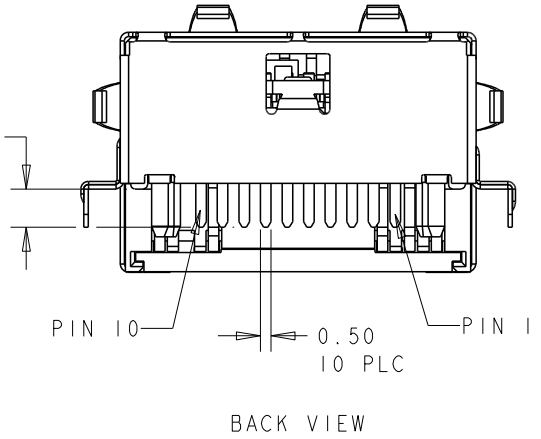
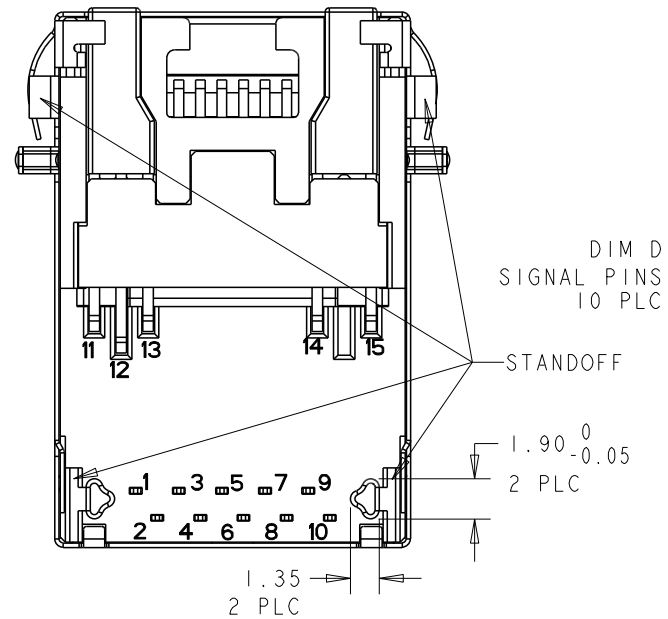
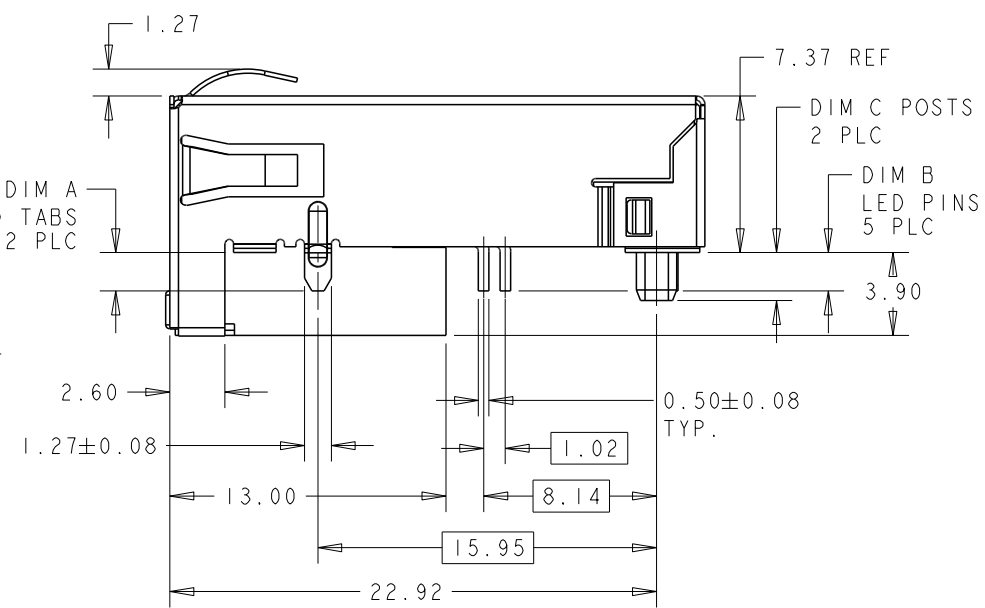
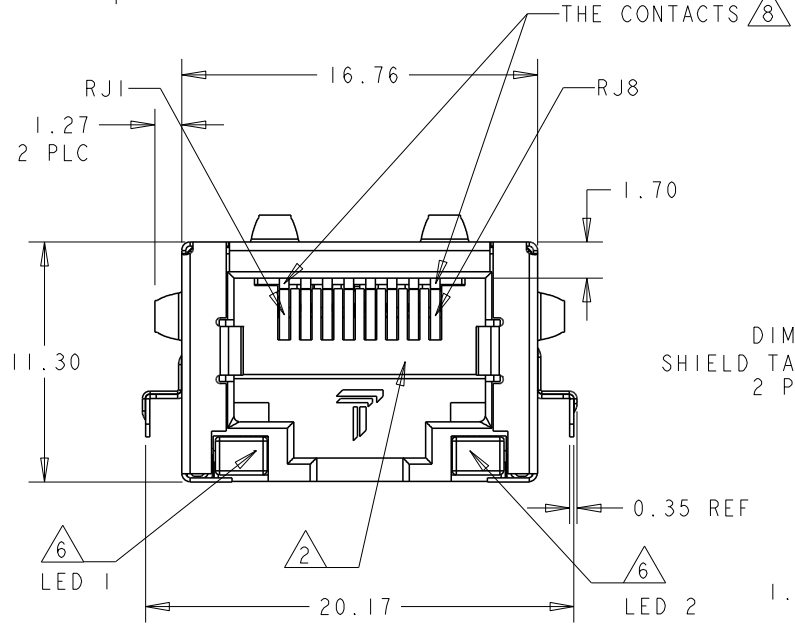
- 1 MATERIALS
HOUSING: HIGH TEMPERATURE NYLON (FR52G30BL),BLACK,FLAMMABILITY RATING UL 94V-0.
SHIELD: BRASS, 0.20mm THICK,PREPLATED WITH MIN 0.76um SEMI-BRIGHT NICKEL;
POST DIPPED WITH 2.54um MIN SAC SOLDER AT GROUND PINS.
CONTACT: PHOSPHOR BRONZE, 0.25mm THICK
WITH 1.27um MIN OVERALL NICKEL UNDERPLATE AND
SELECTIVE 1.27um MIN GOLD PLATING AT MATING INTERFACE
SOLDER TAIL:0.25mm THICK,PHOSPHOR BRONZE,1.27um MIN OVERALL NICKEL UNDERPLATE,
3 um MIN MATTE TIN PLATE.
LED: DIFFUSED EPOXY LENS, 0.50mm SQUARE CARBON STEEL WIREFRAME LEADS
PREPLATED WITH 2.03um MIN SILVER OVER 1.02um MIN NICKEL UNDERPLATE
OVER 1.02um MIN COPPER UNDERPLATE;POST PLATED WITH 2.54um MIN MATTE TIN.

- 2 RJ45 CAVITY CONFORMS TO FCC RULES AND REGULATION PART 68 SUBPART F.
- 3 MAGNETICS
-APPLICATION: 10/100/1000 BASE-T
-IMPEDANCE: 100 OHMS
-TURNS RATIO (CHIP:CABLE): 1:1 ALL FOUR PAIRS
-OPEN CIRCUIT INDUCTANCE (OCL): 350uH MIN @100kHz, 0.1VRMS,
8mADC BIAS FROM 0°C TO 70°C, ALL FOUR PAIRS
-ALL FOUR PAIRS BI-DIRECTIONAL
-PERFORMANCE @ 25°C:
INSERTION LOSS (IL): 1.1dB MAX FROM 0.5MHz TO 100MHz
RETURN LOSS (RL): 18dB MIN FROM 0.5MHz TO 40MHz
12-20LOG(f/80)dB MIN FROM 40.1MHz TO 100MHz
CROSSTALK ATTENUATION: 35dB MIN FROM 0.5MHz TO 40MHz
33-20LOG(f/50)dB MIN FROM 40.1MHz TO 100MHz
COMMON MODE REJECTION RATIO (CMRR): 30dB MIN FROM 0.5MHz TO 100MHz
-ISOLATION VOLTAGE:COMPLY WITH IEEE802.3 2002, PARA 40.6.1.1, ITEM b.

- 4 OPERATING TEMPERATURE: 0°C ~ 70°C.
- 5 THE MAGNETIC CIRCUIT ARE SYMMETRICAL AND SUPPORT AUTO-MDIX OPERATION.
- 6 LEDS ARE DRIVEN WITH CONSTANT CURRENT AT APPROX 20mA.
LED COLOR: DOMINANT WAVELENGTH (λD): GREEN 568 nm TYP. at IF=20mA
FORWARD VOLTAGE (VF): GREEN 2.2V TYP. at IF=20mA
DOMINANT WAVELENGTH (λD): YELLOW 588 nm TYP. at IF=20mA
FORWARD VOLTAGE (VF): YELLOW 2.1V TYP. at IF=20mA
DOMINANT WAVELENGTH (λD): ORANGE 610 nm TYP. at IF=20mA
FORWARD VOLTAGE (VF): ORANGE 2.1V TYP. at IF=20mA

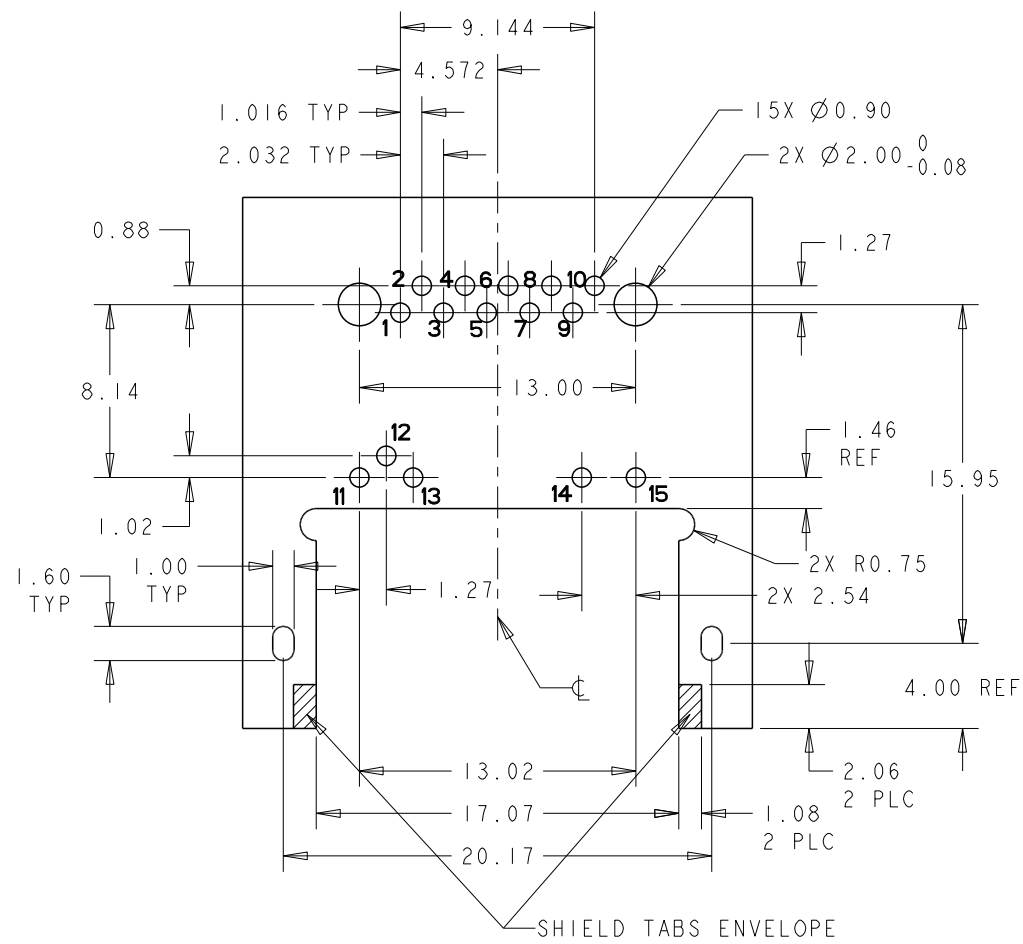
- 7 TRP CONNECTOR LOGO, PART NUMBER, DATE CODE, COUNTRY OF ORIGIN, AGENCY LOGO TO BE MARKED IN APPROXIMATE LOCATION SHOWN, DATE CODE: "YY" IS YEAR, "WW" IS WORK WEEK, "D" IS DAY OF WEEK, WITH SUNDAY=1.THIS PRINT PART NUMBER IS ONLY FOR REFERENCE, PLEASE REFER TO BELOW TABLE FOR ACTUAL ONE.
- 8 THIS CONNECTOR CAN PREVENTS THE INSERTION OF RJ11 (6 POSITION) PLUG INTO THE JACK, IF THE INSERTION FORCE MORE THAN 3.2kgf THAT MAY OVERCOME THE SELECTIVE FEATURES AND DAMAGE THE CONNECTOR.
- 9 ESD (4 PLC) & R5 ARE OPTIONAL, PLEASE SEE TABLE FOR PRESENCE OR ABSENCE IN EACH PART NUMBER.
- 10 ISOLATION VOLTAGE TEST IS APPLIED TO 1-1840437-1 AND 2-1840437-1.

11. THESE PARTS ARE COMPLIANT TO BOTH WAVE SOLDERING PROCESS, PREHEAT TEMPERATURE IS ABOVE 150°C,120 SECONDS TO 180 SECONDS, PEAK SOLDERING TEMPERATURE IS 265°C MAX, 10 SECONDS MAX; AND IR REFLOW SOLDERING PROCESS, PEAK SOLDERING TEMPERATURE 260°C MAX DURATION TIME 10 SECONDS MAX, OVER 230°C WITHIN 40-60 SECONDS.

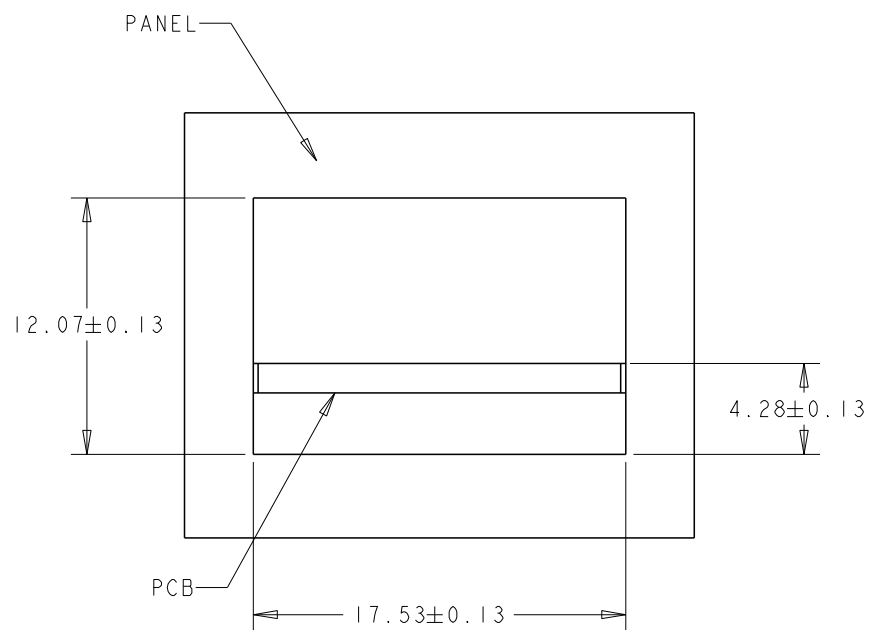


3.22	3.68	3.22	3.22	W/O ESD & R5	GREEN/ORANGE	YELLOW	4-1840437-1
1.80	2.26	1.80	1.80	W/O ESD & WITH R5	GREEN/ORANGE	GREEN	3-1840437-9
1.80	2.26	1.80	1.80	W/O ESD & WITH R5	GREEN/ORANGE	YELLOW	3-1840437-1
1.80	2.26	1.80	1.80	W/O ESD & R5	GREEN/ORANGE	YELLOW	2-1840437-1
1.80	2.26	1.80	1.80	WITH ESD ONLY	GREEN/ORANGE	YELLOW	1-1840437-1
1.80	2.26	1.80	1.80	WITH ESD & R5	GREEN/ORANGE	YELLOW	1840437-1
DIM D	DIM C	DIM B	DIM A	ESD (4 PLC) & R5 OPTION	LED1	LED2	PART NUMBER

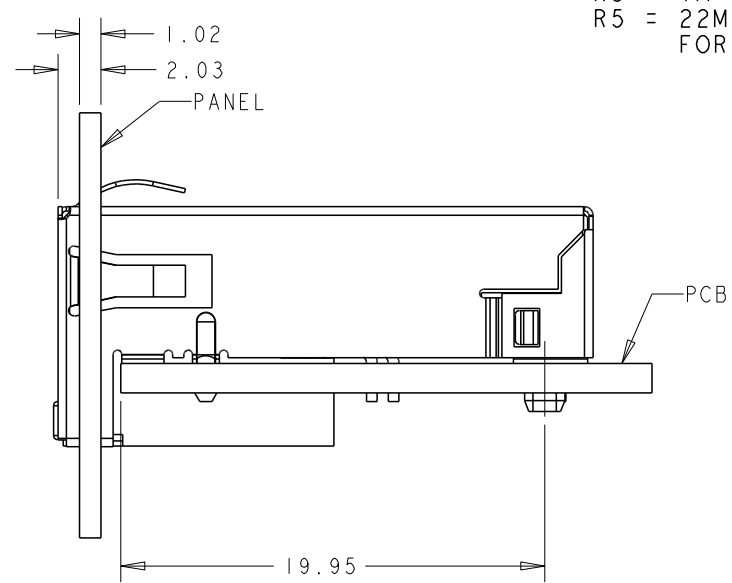
THIS DRAWING IS A CONTROLLED DOCUMENT.		DWN TOMMY REN 10AUG2007				TRP connector	
DIMENSIONS: mm		CHK KEITH ZHU 10AUG2007				Dongguan China	
TOLERANCES UNLESS OTHERWISE SPECIFIED:		APVD TEDDY XIONG 10AUG2007		NAME: 1X1 MAG45(TM), JACK, 4G62 GIGABIT ESD PROTECTION, SHIELDED, WITH LEDS		RESTRICTED TO	
0 PLC ±0.25		PRODUCT SPEC 108-2207		SIZE A2		DRAWING NO C=1840437	
1 PLC ±0.25		APPLICATION SPEC		WEIGHT		SCALE 4:1	
2 PLC ±0.25		MATERIAL		SHEET 1 OF 2		REV G	
3 PLC ±0.25		FINISH		CUSTOMER DRAWING			
4 PLC ±		ANGLES					
FINISH							



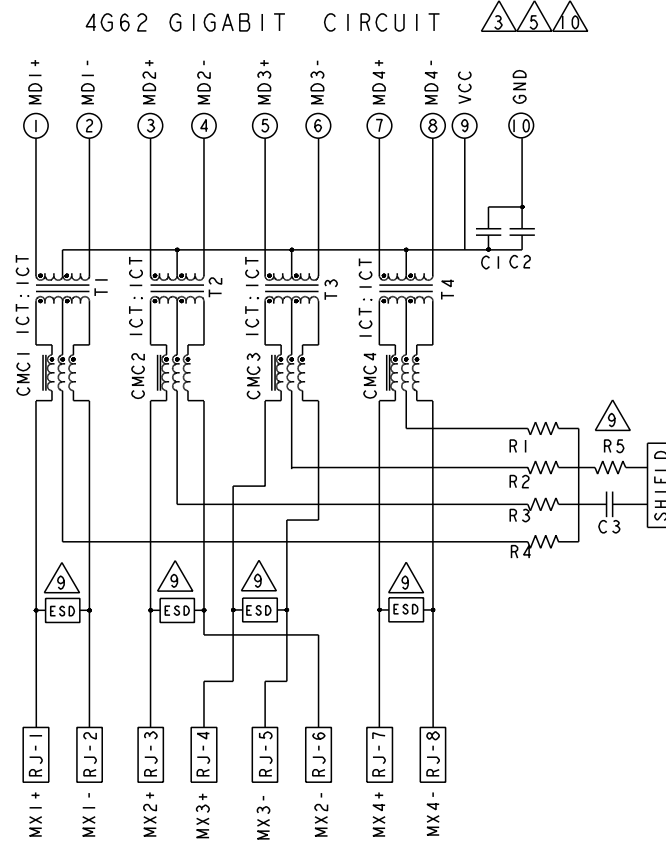
SUGGESTED PCB LAYOUT (TOL:±0.05)
COMPONENT SIDE VIEW



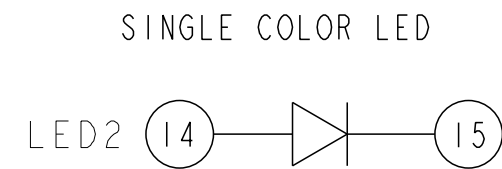
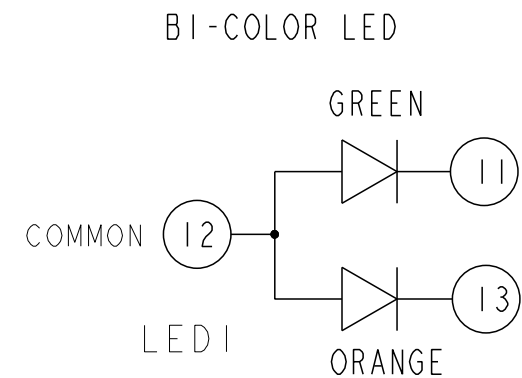
SUGGESTED PANEL CUTOUT



CONNECTOR ASSEMBLED
TO PANEL AND PCB



C1-C2 = 0.1uF 50V, CAPACITOR
 C3 = 1000pF 2KV, CAPACITOR
 R1-R4 = 75 ohms, 1/16W, RESISTOR
 R5 = 1M ohms, 1/10W, RESISTOR
 R5 = 22M ohms, 1/16W, RESISTOR, ONLY
 FOR 3-1840437-1, 3-1840437-9



THIS DRAWING IS A CONTROLLED DOCUMENT.		DWN TOMMY REN 10AUG2007	 TRP connector Dongguan China
DIMENSIONS: mm		CHK KEITH ZHU 10AUG2007	
TOLERANCES UNLESS OTHERWISE SPECIFIED:		APVD TEDDY XIONG 10AUG2007	
0 PLC ±0.25 1 PLC ±0.25 2 PLC ±0.25 3 PLC ±0.25 4 PLC ± ANGLES ± FINISH ±		PRODUCT SPEC 108-2207 APPLICATION SPEC - WEIGHT -	
MATERIAL		NAME: 1X1 MAG45(TM), JACK, 4G62 GIGABIT ESD PROTECTION, SHIELDED, WITH LEDS SIZE: A2 CAGE CODE: C-1840437 DRAWING NO: C-1840437 RESTRICTED TO: -	
CUSTOMER DRAWING			SCALE: 4:1 SHEET: 2 OF 2 REV: G