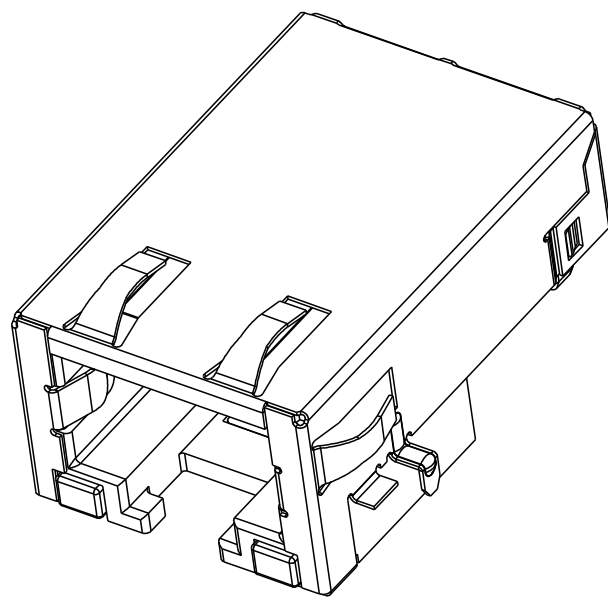
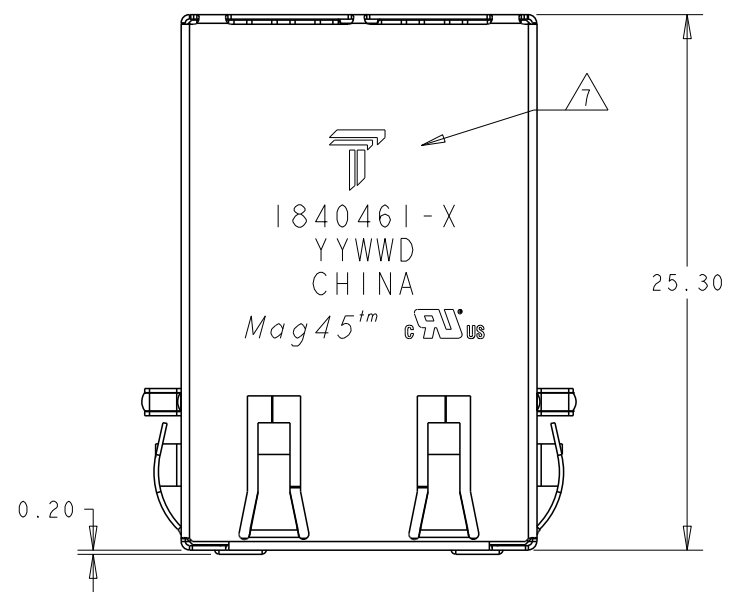


REVISIONS				
P	LTR	DESCRIPTION	DATE	OWN APVD
	D	LOGO CHANGE	27APR2013	TY KZ



- ① MATERIALS  
HOUSING: HIGH TEMPERATURE NYLON (FR52G30BL), BLACK, FLAMMABILITY RATING UL 94V-0.  
SHIELD: BRASS, 0.20mm THICK, PREPLATED WITH MIN 0.76um SEMI-BRIGHT NICKEL;  
POST DIPPED WITH 2.54um MIN SAC SOLDER AT GROUND PINS.  
CONTACT: PHOSPHOR BRONZE, 0.25mm THICK  
WITH 1.27um MIN OVERALL NICKEL UNDERPLATE AND  
SELECTIVE 1.27um MIN GOLD PLATING AT MATING INTERFACE  
SOLDER TAIL: 0.25mm THICK, PHOSPHOR BRONZE, 1.27um MIN OVERALL NICKEL UNDERPLATE,  
3 um MIN MATTE TIN PLATE.  
LED: DIFFUSED EPOXY LENS, 0.50mm SQUARE CARBON STEEL WIREFRAME LEADS  
PREPLATED WITH 2.03um MIN SILVER OVER 1.02um MIN NICKEL UNDERPLATE  
OVER 1.02um MIN COPPER UNDERPLATE; POST PLATED WITH 2.54um MIN MATTE TIN.

② RJ45 CAVITY CONFORMS TO FCC RULES AND REGULATION PART 68 SUBPART F.

- ③ MAGNETICS  
-APPLICATION: 10/100/1000 BASE-T, EXTENDED TEMPERATURE  
-IMPEDANCE: 100 OHMS  
-TURNS RATIO (CHIP:CABLE): 1:1 ALL FOUR PAIRS  
-OPEN CIRCUIT INDUCTANCE (OCL): 350uH MIN @100kHz, 0.1VRMS,  
8mADC BIAS FROM -40°C TO +85°C, ALL FOUR PAIRS  
-ALL FOUR PAIRS BI-DIRECTIONAL  
-PERFORMANCE @ 25°C:  
INSERTION LOSS (IL): 1.1dB MAX FROM 0.5MHz TO 100MHz  
RETURN LOSS (RL): 18dB MIN FROM 0.5MHz TO 40MHz  
12-20LOG(f/80)dB MIN FROM 40.1MHz TO 100MHz  
CROSSTALK ATTENUATION: 35dB MIN FROM 0.5MHz TO 40MHz  
33-20LOG(f/50)dB MIN FROM 40.1MHz TO 100MHz  
COMMON MODE REJECTION RATIO (CMRR): 30dB MIN FROM 0.5MHz TO 100MHz  
-ISOLATION VOLTAGE: COMPLIES WITH IEEE802.3 2002, PARA 40.6.1.1, ITEM b.

4. OPERATING TEMPERATURE: -40°C ~ 85°C.

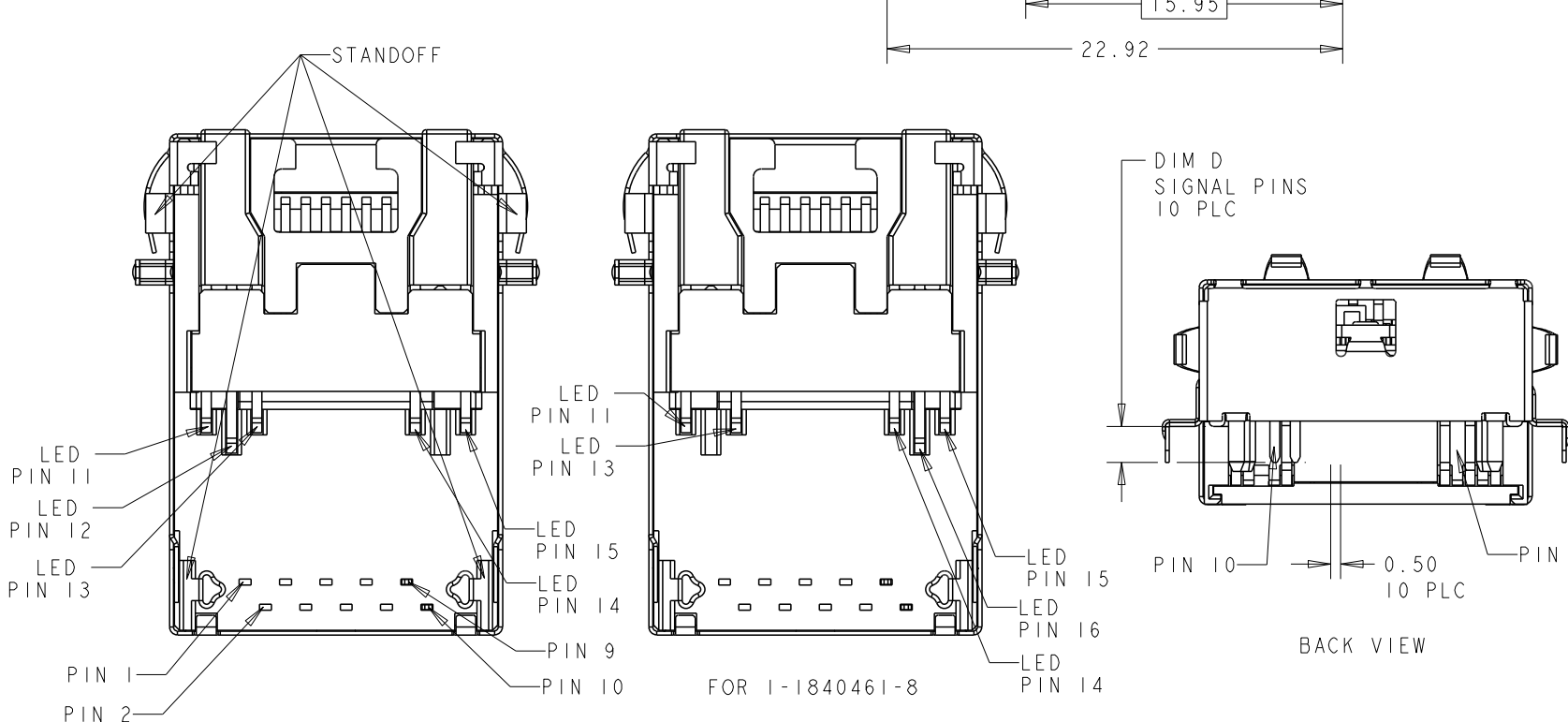
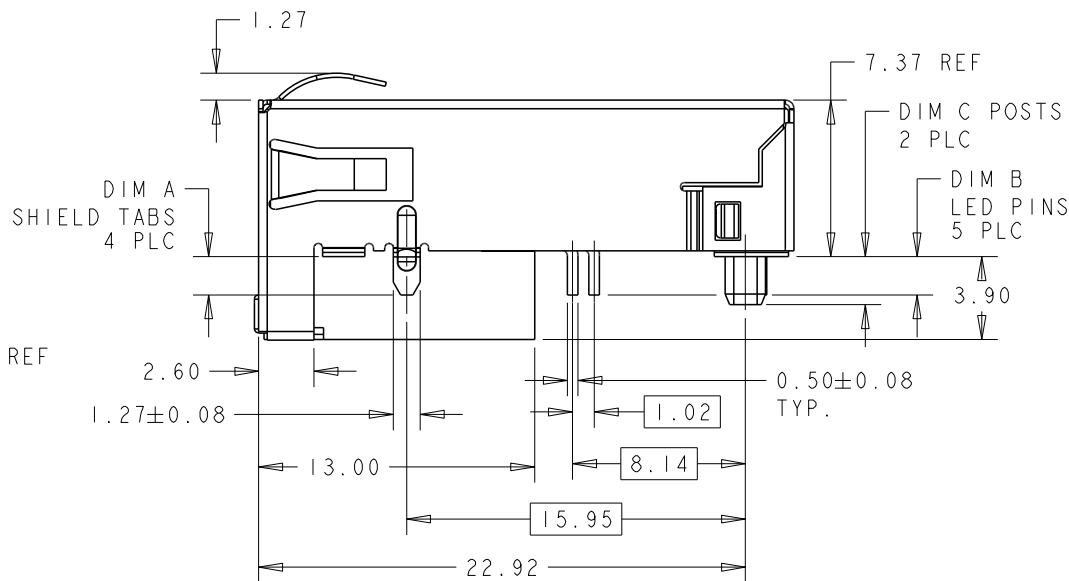
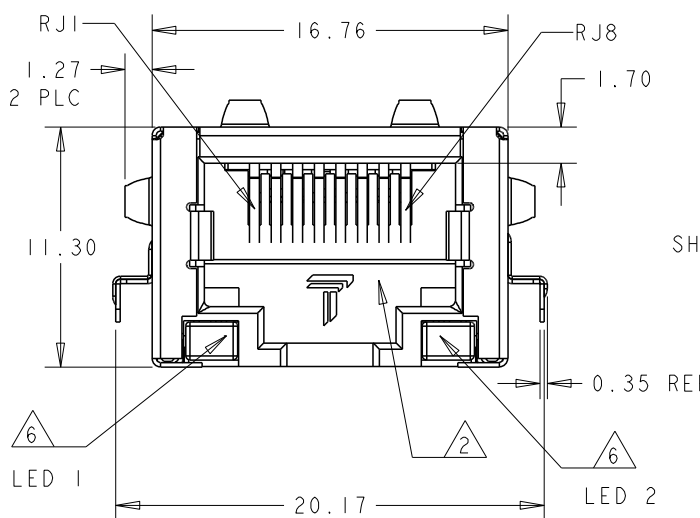
⑤ THE MAGNETIC CIRCUIT ARE SYMMETRICAL AND SUPPORT AUTO-MDIX OPERATION.

⑥ LEDS ARE DRIVEN WITH CONSTANT CURRENT AT APPROX 20mA.  
LED COLOR: DOMINANT WAVELENGTH (λD): GREEN 568 nm TYP. at IF=20mA  
FORWARD VOLTAGE (VF): GREEN 2.2V TYP. at IF=20mA  
DOMINANT WAVELENGTH (λD): YELLOW 588 nm TYP. at IF=20mA  
FORWARD VOLTAGE (VF): YELLOW 2.1V TYP. at IF=20mA  
DOMINANT WAVELENGTH (λD): ORANGE 610 nm TYP. at IF=20mA  
FORWARD VOLTAGE (VF): ORANGE 2.1V TYP. at IF=20mA

⑦ TRP CONNECTOR LOGO, PART NUMBER, DATE CODE, COUNTRY OF ORIGIN, AGENCY LOGO TO BE MARKED IN APPROXIMATE LOCATION SHOWN.

⑧ ISOLATION VOLTAGE TEST IS APPLIED TO 1-1840461-1, 1-1840461-8 AND 2-1840461-1.

⑨ ESD (4 PLC) & R5 ARE OPTIONAL, PLEASE SEE TABLE FOR PRESENCE OR ABSENCE IN EACH PART NUMBER.



OPTION	DIM D	DIM C	DIM B	DIM A	ESD (4 PLC) & R5 OPTION	LED1	LED2	PART NUMBER
OPTION 1	3.22	3.68	3.22	3.22	WITH ESD & R5	GREEN/ORANGE	YELLOW	3-1840461-1
OPTION 1	1.80	2.26	1.80	1.80	W/O ESD & R5	GREEN/ORANGE	YELLOW	2-1840461-1
OPTION 2	1.80	2.26	1.80	1.80	W/O ESD & R5	GREEN	GREEN/ORANGE	1-1840461-8
OPTION 1	1.80	2.26	1.80	1.80	WITH ESD ONLY	GREEN/ORANGE	YELLOW	1-1840461-1
OPTION 1	1.80	2.26	1.80	1.80	WITH ESD & R5	GREEN/ORANGE	YELLOW	1840461-1

THIS DRAWING IS A CONTROLLED DOCUMENT.

DIMENSIONS: mm

TOLERANCES UNLESS OTHERWISE SPECIFIED:

0 PLC	±0.25
1 PLC	±0.25
2 PLC	±0.25
3 PLC	±0.25
4 PLC	±0.25
ANGLES	±
FINISH	±

MATERIAL: ①

①

APR 2008

TOMMY REN

APR 2008

KEITH ZHU

APR 2008

TEDDY XIONG

PRODUCT SPEC

108-2207

APPLICATION SPEC

TRP connector  
Dongguan China

NAME: 1X1 MAG45(TM), JACK, 4G50ET GIGABIT SHIELDED, WITH LEDS

SIZE: A2

CAGE CODE: C=1840461

DRAWING NO: 108-2207

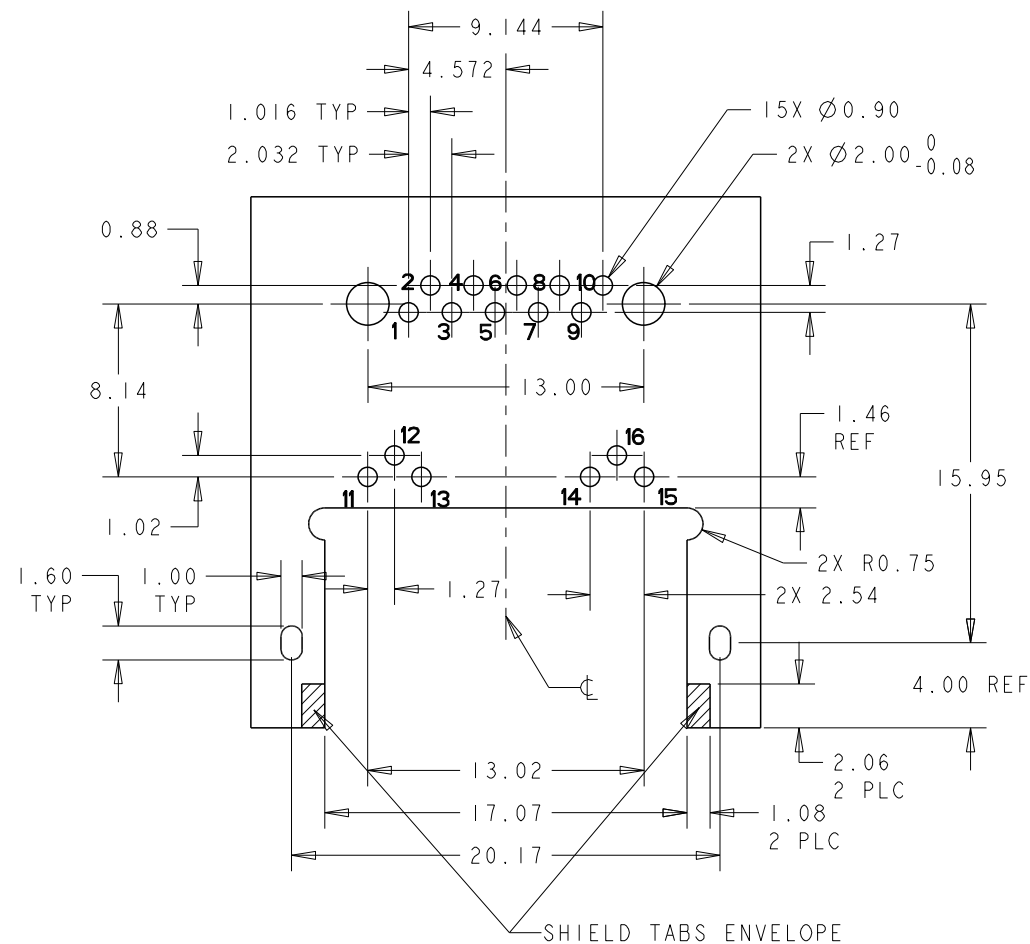
RESTRICTED TO: -

SCALE: 2:1

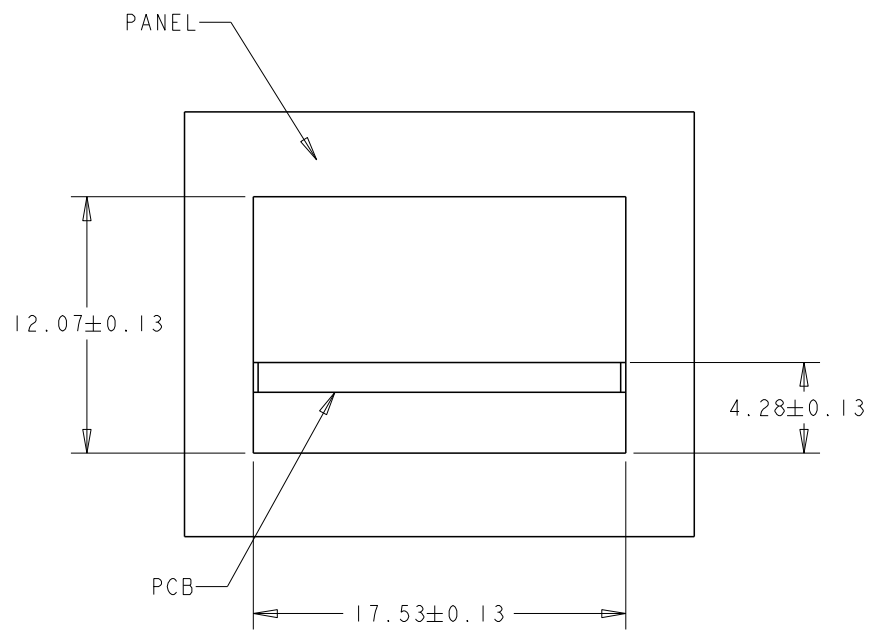
SHEET 1 OF 2

REV D

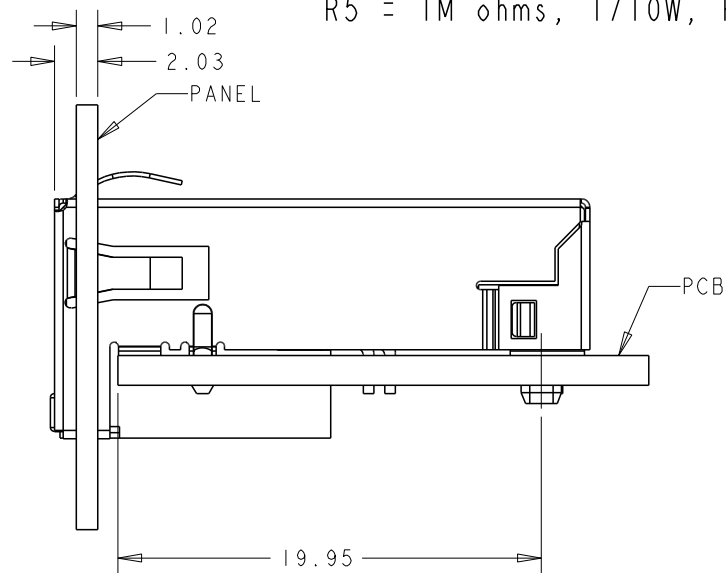
CUSTOMER DRAWING



SUGGESTED PCB LAYOUT (TOL:±0.05)  
COMPONENT SIDE VIEW

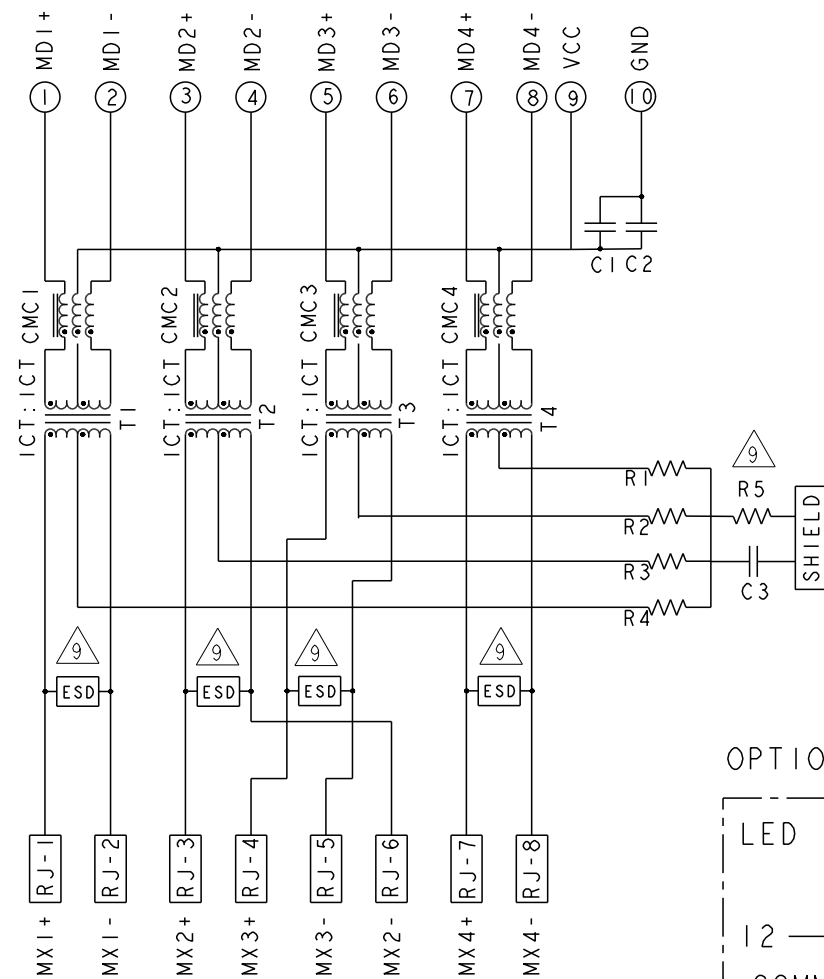


SUGGESTED PANEL CUTOUT



CONNECTOR ASSEMBLED  
TO PANEL AND PCB

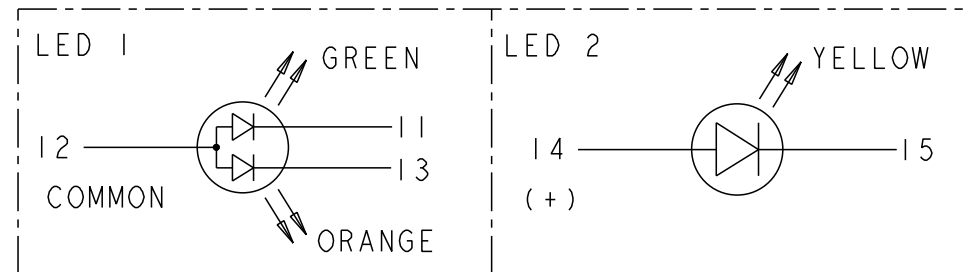
4G50ET GIGABIT CIRCUIT  $\triangle 3 \triangle 5 \triangle 8$



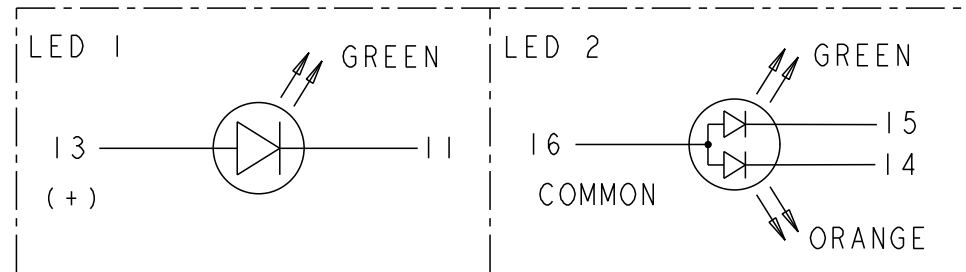
C1-C2 = 0.1uF 50V, CAPACITOR  
C3 = 1000pF 2KV, CAPACITOR  
R1-R4 = 75 ohms, 1/16W, RESISTOR  
R5 = 1M ohms, 1/10W, RESISTOR

LED OPTION

OPTION 1



OPTION 2



THIS DRAWING IS A CONTROLLED DOCUMENT.		DWN TOMMY REN 14APR2008	<p>TRP connector Dongguan China</p>	NAME 1X1 MAG45(TM), JACK, 4G50ET GIGABIT SHIELDED, WITH LEDS															
DIMENSIONS: mm		CHK KEITH ZHU 14APR2008		PRODUCT SPEC 108-2207	SIZE A2	CAGE CODE -													
TOLERANCES UNLESS OTHERWISE SPECIFIED:		APVD TEDDY XIONG 14APR2008		APPLICATION SPEC -	DRAWING NO C=1840461	RESTRICTED TO -													
<table border="1"> <tr> <td>0 PLC</td> <td>±0.25</td> </tr> <tr> <td>1 PLC</td> <td>±0.25</td> </tr> <tr> <td>2 PLC</td> <td>±0.25</td> </tr> <tr> <td>3 PLC</td> <td>±0.25</td> </tr> <tr> <td>4 PLC</td> <td>±</td> </tr> <tr> <td>ANGLES</td> <td>±</td> </tr> <tr> <td>FINISH</td> <td>±</td> </tr> </table>		0 PLC		±0.25	1 PLC	±0.25	2 PLC	±0.25	3 PLC	±0.25	4 PLC	±	ANGLES	±	FINISH	±	WEIGHT -	SCALE 2:1	SHEET 2 OF 2
0 PLC	±0.25																		
1 PLC	±0.25																		
2 PLC	±0.25																		
3 PLC	±0.25																		
4 PLC	±																		
ANGLES	±																		
FINISH	±																		
MATERIAL -		CUSTOMER DRAWING																	