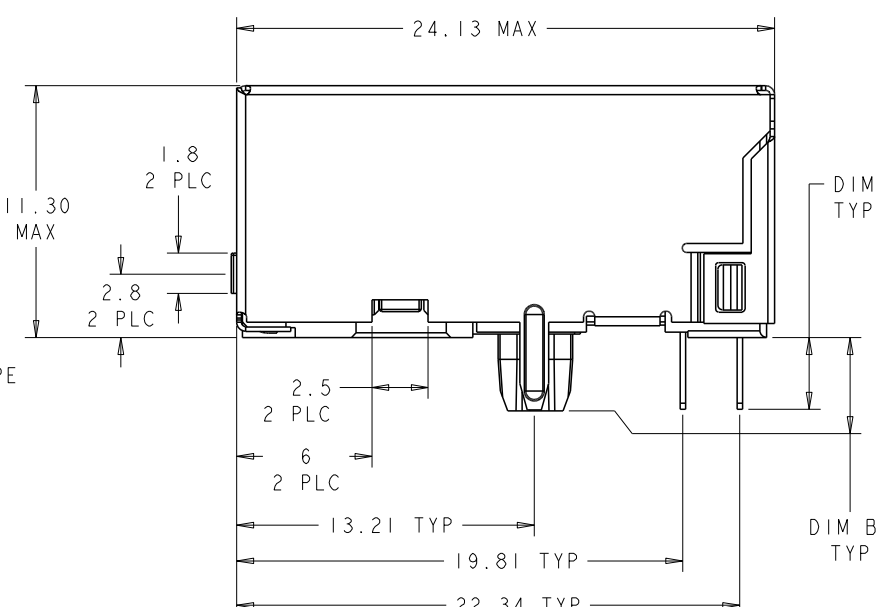
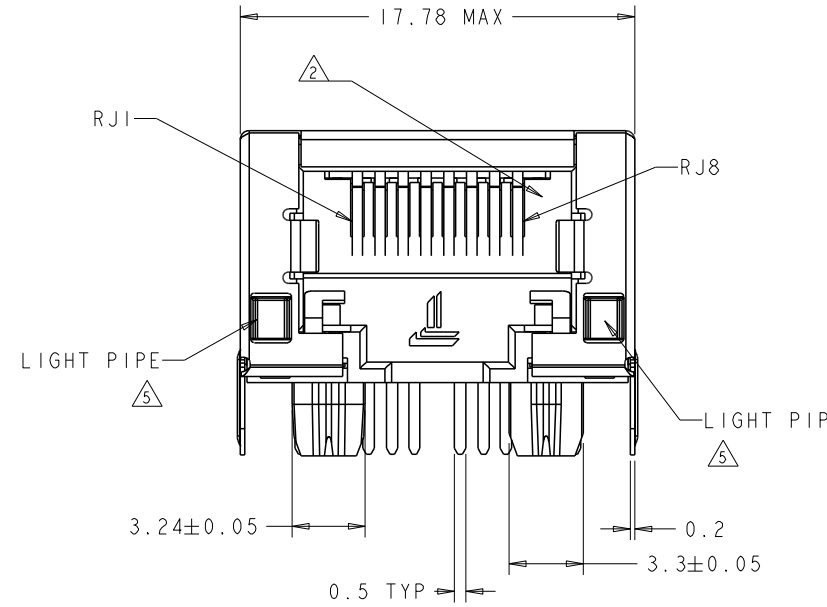
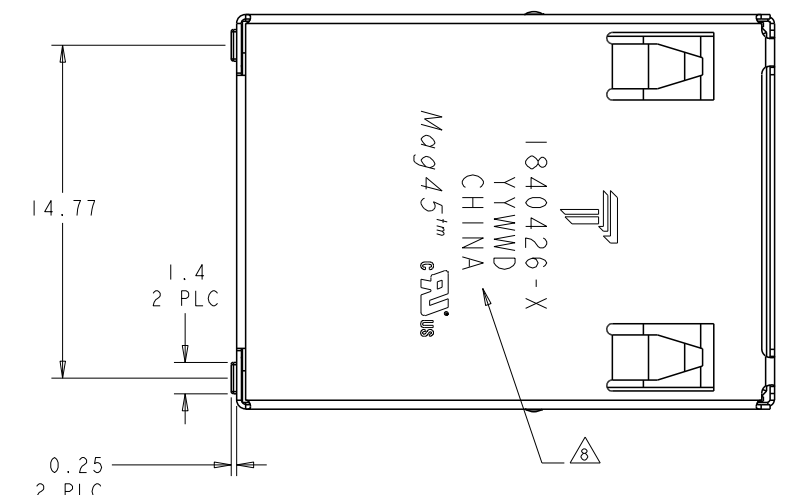
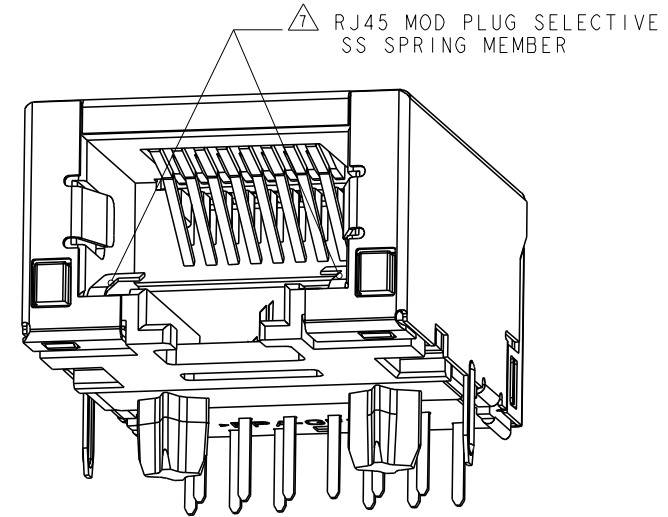
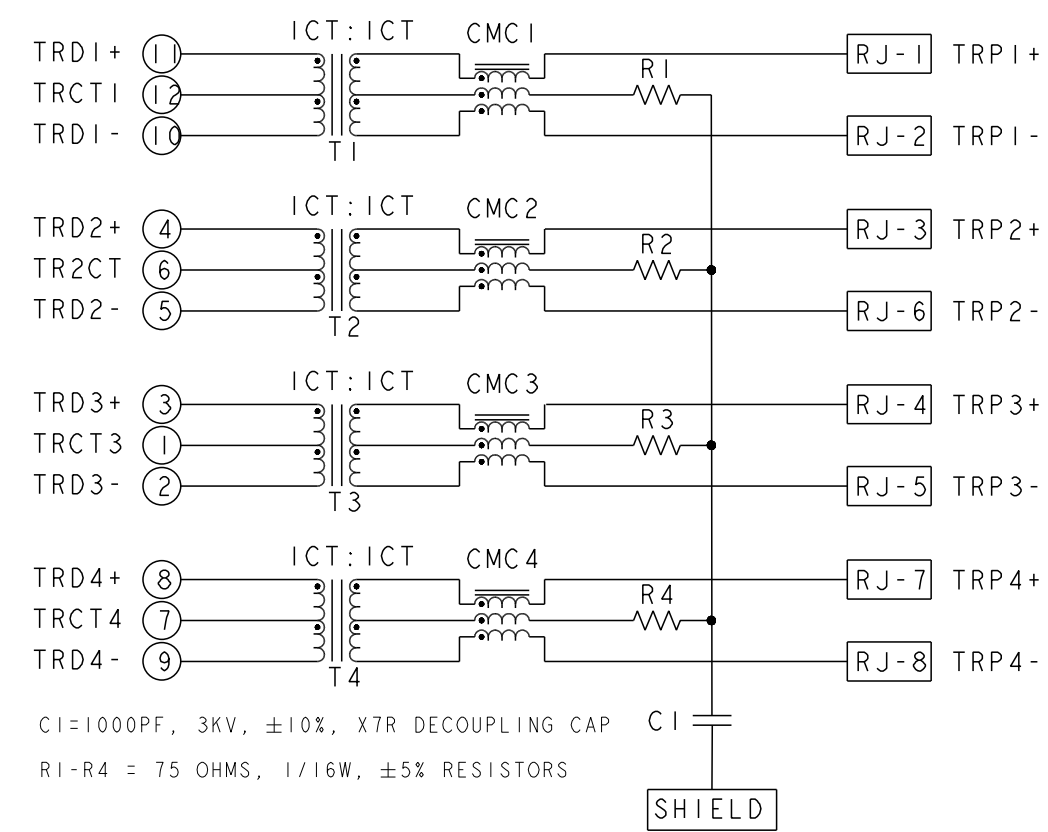


REVISIONS				
P	LYR	DESCRIPTION	DATE	APPD
C		LOGO CHANGE	24APR2013	TY KZ



8G18 GIGABIT CIRCUIT



- △ MATERIALS:
 -HOUSING: HIGH TEMPERATURE NYLON, BLACK, UL 94V-0
 -SHIELD: 0.20mm THICK, BRASS PREPLATED WITH 0.76 μm MIN SEMI-BRIGHT NICKEL; POST-DIPPED WITH 2 μm MIN SAC 305 ALLOY LEAD FREE SOLDER (TIN PRIMARY, 3% SILVER, 0.5% COPPER)
 -CONTACT TAILS: 0.25mm THICK, PHOSPHOR BRONZE, 1.27 μm MIN OVERALL NICKEL UNDERPLATE, 3 μm MIN MATTE TIN PLATE
 -MOD JACK CONTACTS: 0.25mm THICK, PHOSPHOR BRONZE, 1.27 μm MIN OVERALL NICKEL UNDERPLATE, WITH 0.76 μm MIN LOCALIZED GOLD PLATE AT PLUG INTERFACE
 -LIGHT PIPE: POLYETHER SULFONE

△ 2 RJ45 JACK CAVITY CONFORMS TO FCC RULES AND REGULATIONS PART 68, SUB-PART F.

- △ 3 MAGNETICS:
 -APPLICATION: 10/100/1000 BASE-T
 -IMPEDANCE: 100 OHMS ±15%
 -TURNS RATIO (CHIP:CABLE): 1:1 ALL 4 PAIRS
 -OPEN CIRCUIT INDUCTANCE (OCL): 350μH (MIN) @100KHz, 0.1 VRMS
 8 mA DC BIAS FROM 0°C TO 70°C, ALL FOUR PAIRS.
 -ALL FOUR PAIRS BI-DIRECTIONAL
 -PERFORMANCE @25°C:

FREQUENCY	INSERTION LOSS (dB MAX)	RETURN LOSS (dB MIN) CIRCUIT IMPEDANCE = 100 OHMS ±15%	COMMON MODE REJECTION RATIO (dB MIN)	CROSSTALK ATTENUATION (dB MIN)
0.5 MHz-40.0 MHz	1.1	18.0	30	35
40.1 MHz-100.0 MHz		12-20 log(f/80) f IS FREQUENCY IN MHz		33-20 log(f/50) f IS FREQUENCY IN MHz

- ISOLATION VOLTAGE: COMPLIES WITH IEEE802.3.2002, PARA 40.6.1.1, ITEM a AND b

△ 4 OPERATING TEMPERATURE: FROM 0°C TO 70°C

△ 5 LIGHT PIPES ARE USED TO TRANSMIT LIGHT OF SMD LED'S MOUNTED ON CUSTOMER BOARD.

△ 6 ALL DIMENSIONS ARE NOMINAL UNLESS OTHERWISE NOTED.

△ 7 RJ45 MOD PLUG SELECTIVE - THIS CONNECTOR UTILIZES STEEL SPRING MEMBER WHICH PREVENTS THE INSERTION OF A RJ11 (6 POSITION) PLUG INTO THE JACK PORT, WHILE ALLOWING A RJ45 (8 POSITION) PLUG TO MATE FREELY.

WARNING: THIS FEATURE WAS DEVELOPED FOR TYPICAL PLUG INSERTION FORCES. EXCESSIVE INSERTION FORCE MAY OVERCOME THE SELECTIVE FEATURES AND DAMAGE THE CONNECTOR.

△ 8 TRADEMARK, PART NUMBER, DATE CODE, COUNTRY OF ORIGIN, AND AGENCY APPROVAL MARKING IN APPROXIMATE LOCATION SHOWN

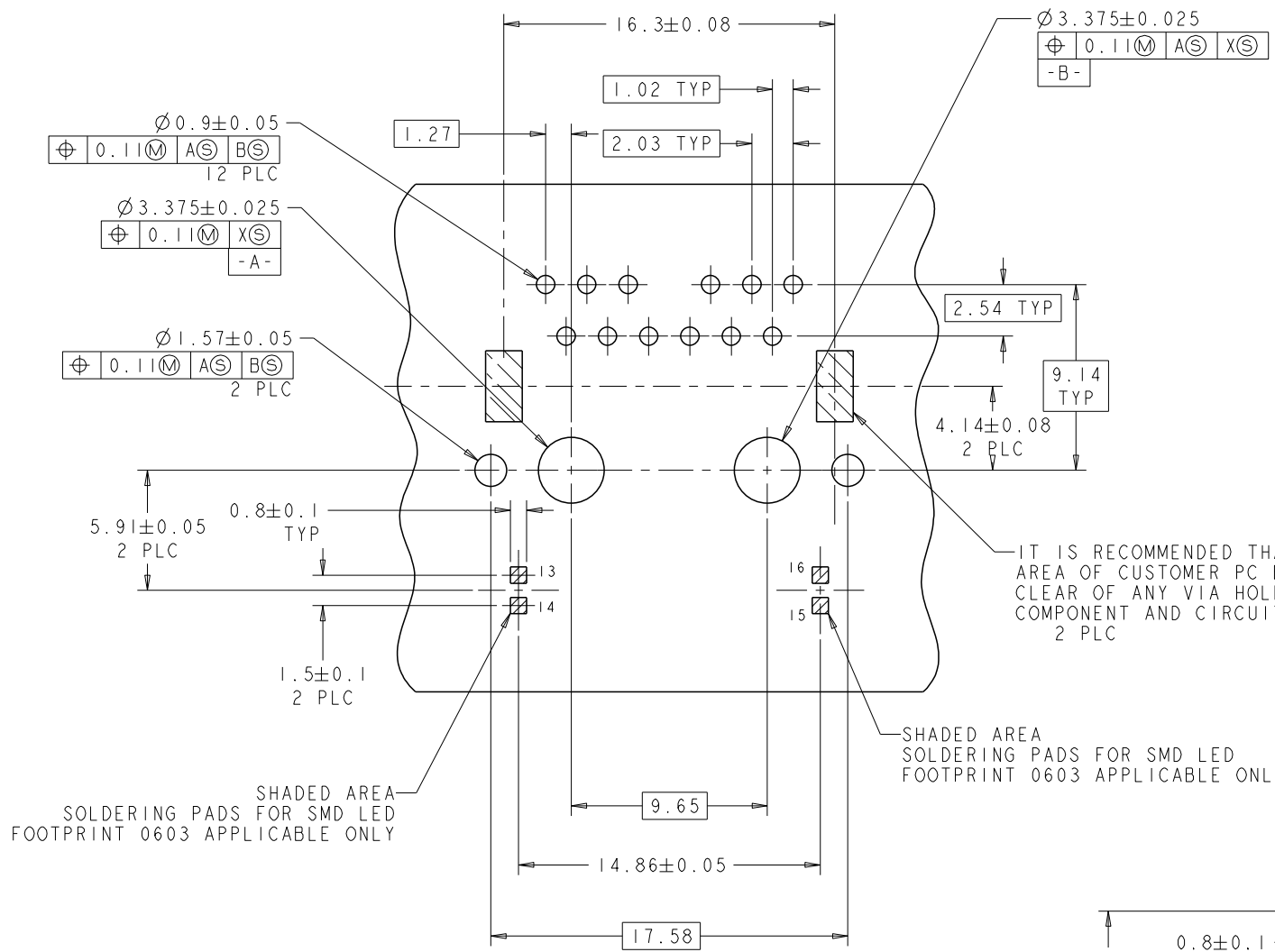
9 1840426-1 SHOWN UNLESS OTHERWISE NOTED

10 THESE PARTS ARE RECOMMENDED FOR WAVE SOLDERING PROCESS, PEAK SOLDERING TEMPERATURE 260°C MAX, 10 SECONDS MAX.

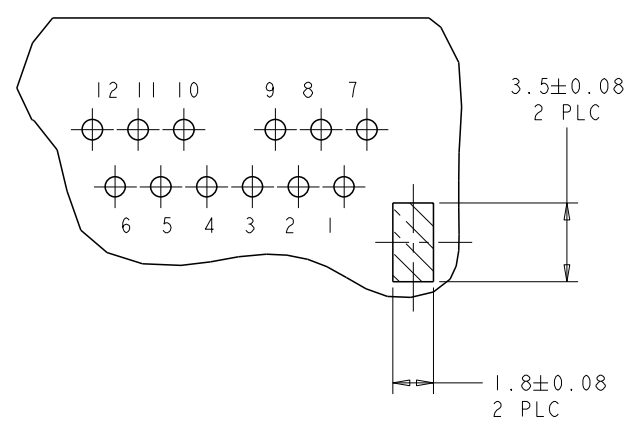
NO	1.8	1.8	1840426-5
TOP AND SIDES	3.3	3.18	1840426-4
TOP AND SIDES	1.8	1.8	1840426-3
TOP ONLY	1.8	1.8	1840426-2
NO	3.3	3.18	1840426-1
GROUND TABS	DIM B	DIM A	PART NO.

THIS DRAWING IS A CONTROLLED DOCUMENT.

DW: TOWER YU 18JAN2007	DR: TRP connector Dongguan China
CHK: KELI ZHU 18JAN2007	
APPD: TEDDY XILONG 18JAN2007	
PRODUCT SPEC 108-2207	NAME: IXI MAG45(TM), JACK, 8G18 GIGABIT SHIELDED, LIGHT PIPE, W/O LED, TAB DOWN
APPLICATION SPEC	SIZE: A1 CAGE CODE: C=1840426 DRAWING NO: 1840426
MATERIAL: 1	RESTRICTED TO: -
FINISH: 1	SCALE: NTS SHEET 1 OF 2 REV C
CUSTOMER DRAWING	



SUGGESTED PCB LAYOUT FOR SINGLE COLOR LED (COMPONENT SIDE)



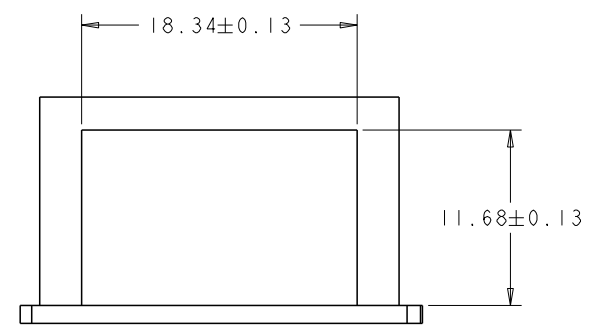
PIN DESIGNATIONS

SHADED AREA SOLDERING PADS FOR SMD LED FOOTPRINT 0603 APPLICABLE ONLY

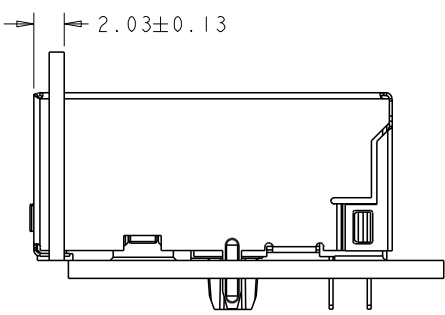
SHADED AREA SOLDERING PADS FOR SMD LED FOOTPRINT 0603 APPLICABLE ONLY

SHADED AREA SOLDERING PADS FOR SMD LED FOOTPRINT 0603 APPLICABLE ONLY

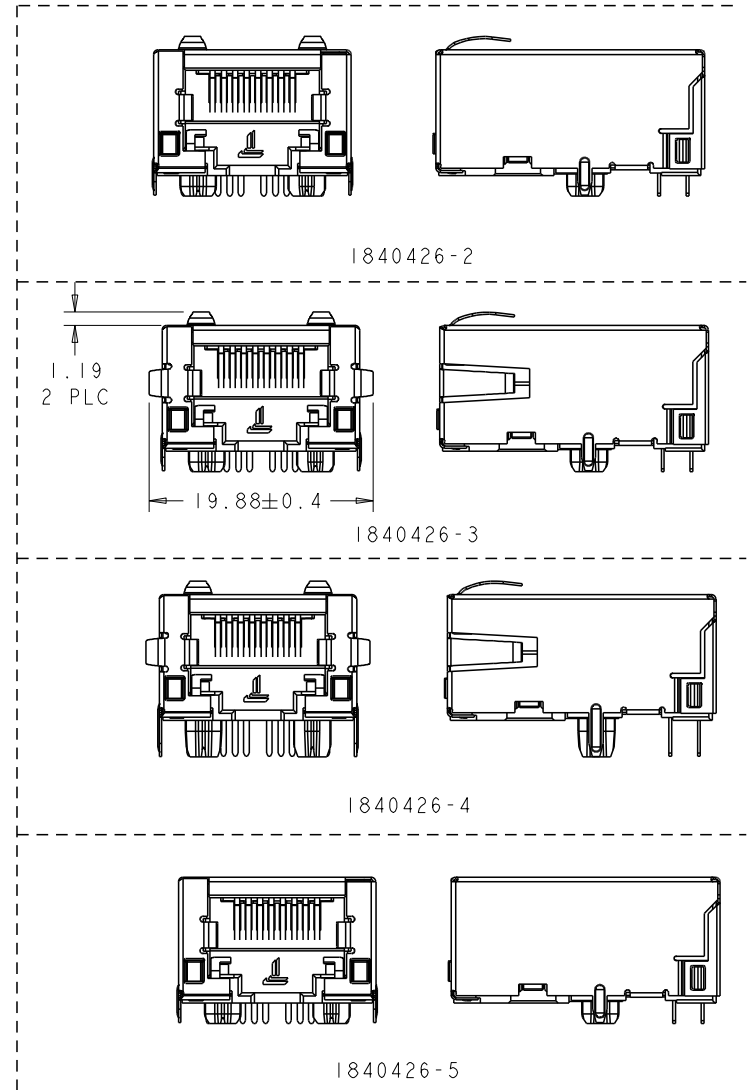
SHADED AREA SOLDERING PADS FOR SMD LED FOOTPRINT 0603 APPLICABLE ONLY



SUGGESTED PANEL OPENING



SUGGESTED PCB LAYOUT FOR BI-COLOR LED (COMPONENT SIDE)



THIS DRAWING IS A CONTROLLED DOCUMENT.		DRW: TOWER YU 18JAN2007	TRP connector Dongguan China
DIMENSIONS: mm		CHK: WELIH ZHU 18JAN2007	
TOOLERANCES UNLESS OTHERWISE SPECIFIED:		APPD: TEDDY XILONG 18JAN2007	PRODUCT SPEC: 108-2207 APPLICATION SPEC:
0 PLC ±0.25 1 PLC ±0.25 2 PLC ±0.25 3 PLC ±0.25 4 PLC ±0.25 ANGLES ±0.25		NAME: IXI MAG45(TM), JACK, 8G18 GIGABIT SHIELDED, LIGHT PIPE, W/O LED, TAB DOWN SIZE: A1 CAGE CODE: 1840426 DRAWING NO: 1840426	
MATERIAL:	FINISH:	WEIGHT:	RESTRICTED TO:
CUSTOMER DRAWING		SCALE: NTS	SHEET 2 OF 2 REV C