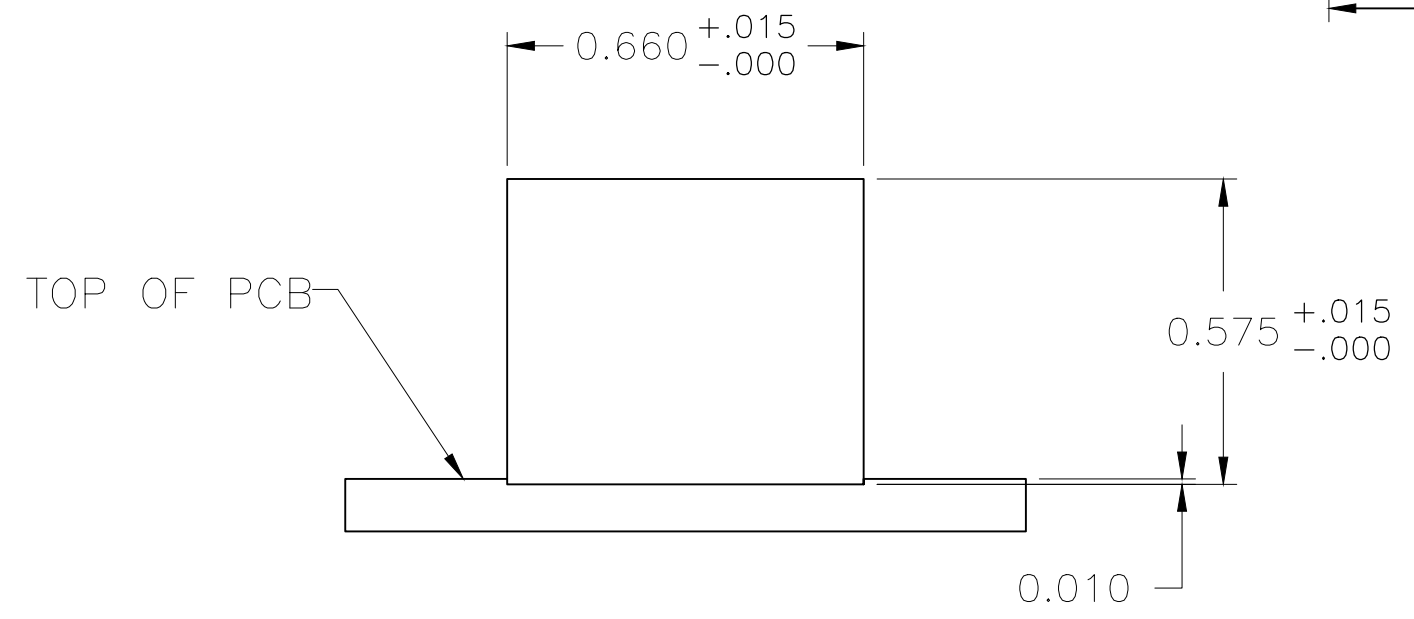
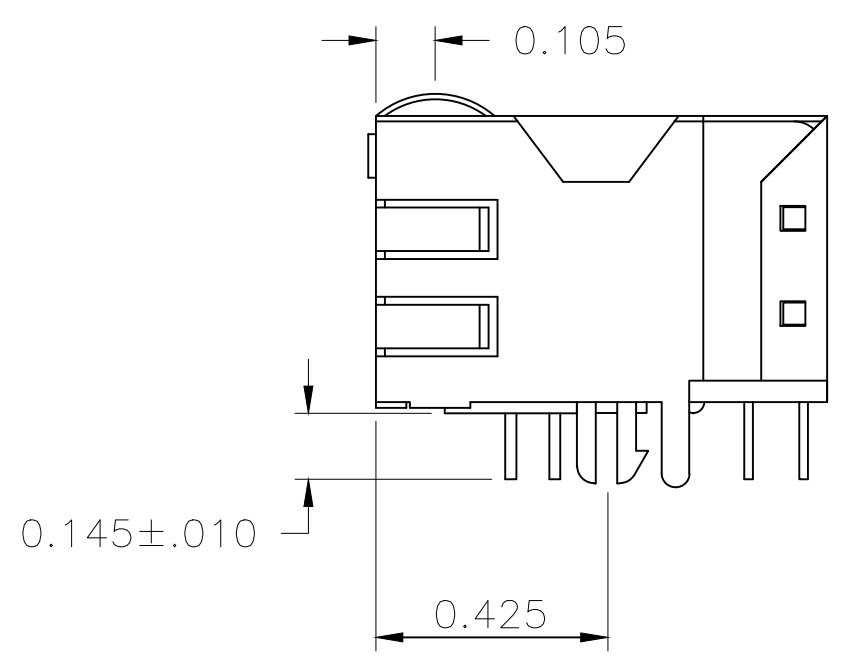
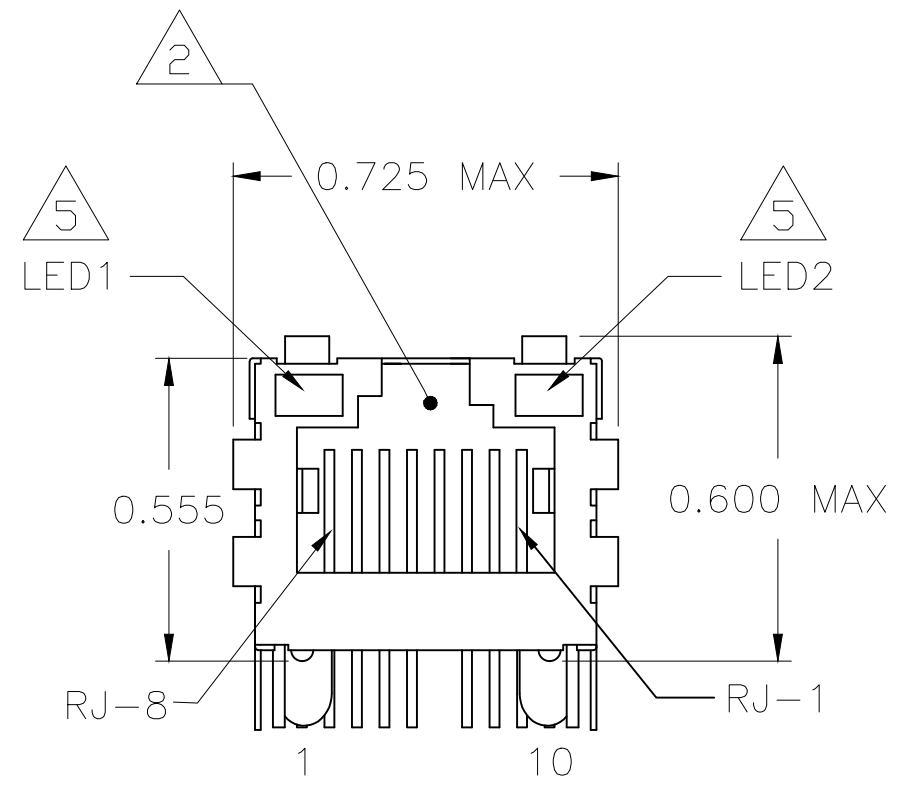
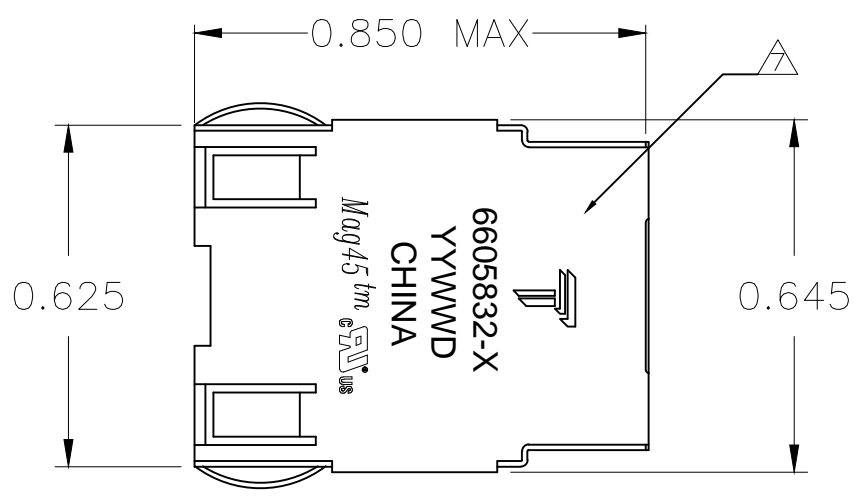


REVISIONS				
P	LTR	DESCRIPTION	DATE	APVD
D		LOGO CHANGE	2013-05-23	QL TY

MECHANICAL:



- 1 MATERIALS:
 - HOUSING - THERMOPLASTIC PET POLYESTER FLAMMABILITY RATING UL 94V-0.
 - SHIELD - 0.010" THICK, C26800 BRASS PREPLATED WITH 30μINCH MIN SEMI-BRIGHT NICKEL, SOLDER TABS POST DIPPED WITH 100μINCH MIN SAC SOLDER.
 - MOD JACK CONTACTS - 0.0157" x 0.018" PHOSPHOR BRONZE, 50μINCH MIN OVERALL NICKEL UNDERPLATE, WITH SELECT 50μINCH MIN HARD GOLD FINISH PLATE. SOLDER TAILS WITH 100μINCH MIN MATTE TIN AND/OR SAC SOLDER DIP.
- 2 RJ45 JACK CAVITY CONFORMS TO FCC RULES AND REGULATIONS PART 68, SUB PART F.
- 3 MAGNETICS
 - IMPEDANCE: 100 OHMS
 - TURNS RATIO (CHIP: CABLE): TX = 1:1, RX = 1:1
 - OPEN CIRCUIT INDUCTANCE (OCL): 350μH MIN @100kHz, 0.1VRMS, 8mADC BIAS FROM 0°C TO 70°C, TX AND RX
 - POE CURRENT: 350mADC MAX
 - PERFORMANCE @ 25°C:
 - INSERTION LOSS (IL): 1.1dB MAX FROM 0.5MHz TO 100MHz
 - RETURN LOSS (RL): 18dB MIN FROM 0.5MHz TO 30MHz
 - 18-20LOG(f/30)dB MIN FROM 30.1MHz TO 60MHz
 - 12dB MIN FROM 60.1MHz TO 80MHz
 - CROSSTALK ATTENUATION: 35dB MIN FROM 0.5MHz TO 40MHz
 - 33-20*LOG(f/50)dB MIN FROM 40.1MHz TO 100MHz
 - COMMON MODE REJECTION RATIO (CMRR): 30dB MIN FROM 0.5MHz TO 100MHz
 - ISOLATION VOLTAGE:1500VAC (MAX) AT 60Hz FOR 60 SECS.
- 4. OPERATING TEMPERATURE: FROM 0° - +70°
- 5 LEDS WITH BUILT-IN RESISTOR
 - LEDS ARE DRIVEN WITH 5V VOLTAGE AND THE MAX OPERATING CURRENT IS 20mA.
 - LED COLOR : DOMINANT WAVELENGTH (λD): GREEN 568 nm TYP. @ VF=5V
 - FORWARD CURRENT (IF): GREEN 12 mA TYP. @ VF=5V
 - DOMINANT WAVELENGTH (λD): YELLOW 588 nm TYP. @ VF=5V
 - FORWARD CURRENT (IF): YELLOW 13 mA TYP. @ VF=5V
- 6 INDICATED CONNECTIONS ARE FOR NIC CONFIGURATION. THE MAGNETICS ARE SYMMETRIC TO SUPPORT AUTO-MDI/MDIX.
- 7 TRP CONNECTOR LOGO, PART NUMBER, DATE CODE, COUNTRY OF ORIGIN AND AGENCY APPROVAL MARKING IN APPROXIMATE LOCATION SHOWN.
- 8. THE PART IS RECOMMENDED FOR WAVE SOLDERING PROCESS, PEAK WAVE SOLDERING TEMPERATURE IS 265°C MAX, 10 SECONDS MAX.

THIS DRAWING IS A CONTROLLED DOCUMENT.		DWN L. VARELA - 04MAR2005	04MAR2005	GREEN LED1	GREEN LED2	1-6605832-1
DIMENSIONS: INCHES		CHK D. FAROLE - 04MAR2005	04MAR2005	PART NUMBER		
TOLERANCES UNLESS OTHERWISE SPECIFIED:		APVD D. FAROLE - 04MAR2005	04MAR2005	TRP connector Dongguan China		
0 PLC ± -		PRODUCT SPEC		NAME 1x1, MAG45(TM), 10/100, 7V15 CIRCUIT, TAB UP, W RESISTOR LED, NO CAPACITOR		
1 PLC ± -		APPLICATION SPEC		SIZE CAGE CODE DRAWING NO RESTRICTED TO		
2 PLC ± .01		WEIGHT -		A2 00779 C-6605832		
3 PLC ± .005		CUSTOMER DRAWING		SCALE NTS SHEET 1 OF 2 REV D		
4 PLC ± -		MATERIAL				
ANGLES ± -						
FINISH						

Suggested Panel Cutout

4

3


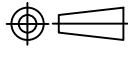
2

1

© COPYRIGHT BY TRP CONNECTOR ALL RIGHTS RESERVED.

7V15 Magnetic CIRCUIT  

Suggested Footprint

THIS DRAWING IS A CONTROLLED DOCUMENT.		DWN L. VARELA - DOCK5 04MAR2005	TRP connector Dongguan China	
DIMENSIONS: INCHES		CHK D. FAROLE 04MAR2005		
		APVD D. FAROLE 04MAR2005		
TOLERANCES UNLESS OTHERWISE SPECIFIED:		PRODUCT SPEC 108-2100	NAME 1x1, MAG45(TM), 10/100, 7V15 CIRCUIT, TAB UP, W RESISTOR LED, NO CAPACITOR	
0 PLC ± -		APPLICATION SPEC	RESTRICTED TO	
1 PLC ± -		WEIGHT	SIZE A2	CAGE CODE 00779
2 PLC ± .01		DRAWING NO C=6605832		REV D
3 PLC ± .005		CUSTOMER DRAWING		
4 PLC ± -		SCALE NTS SHEET 2 OF 2		
ANGLES ± -				
FINISH				