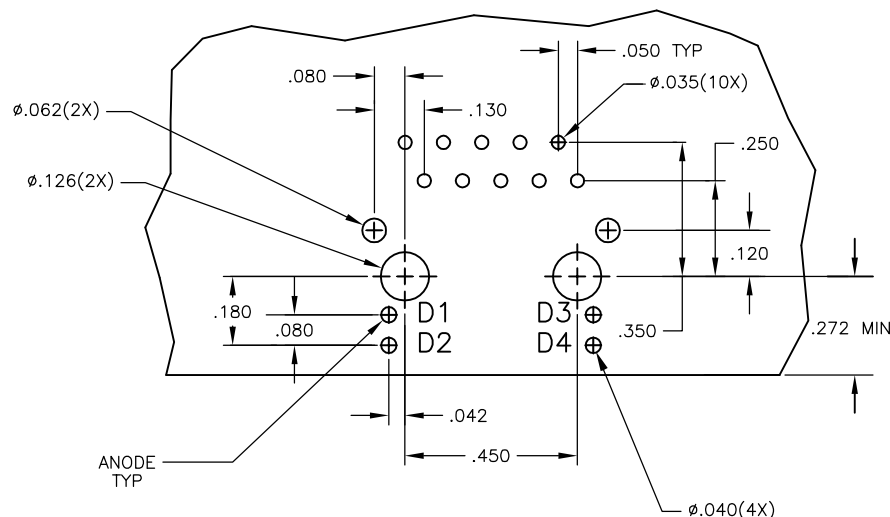
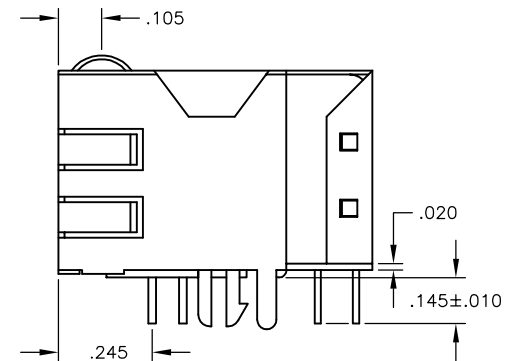
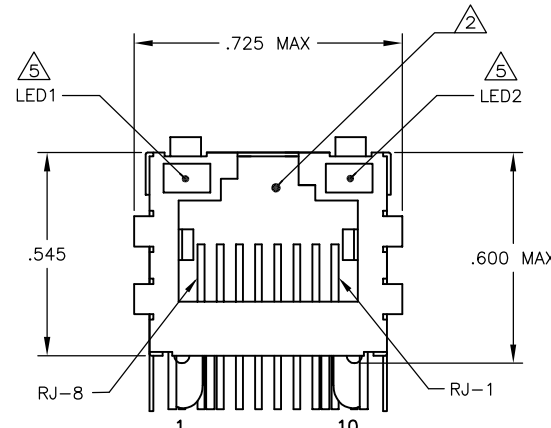
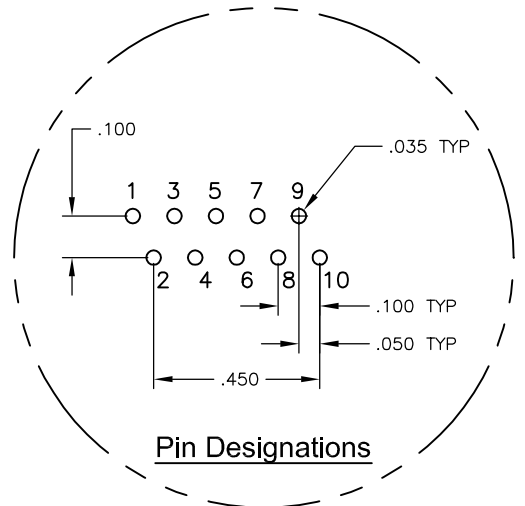
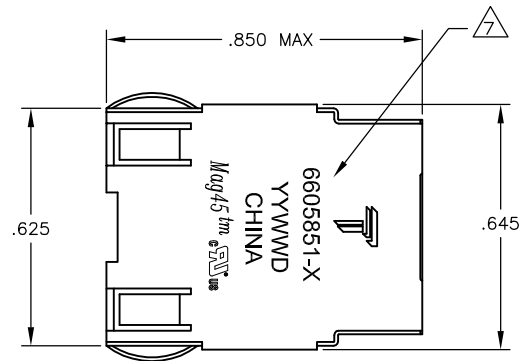
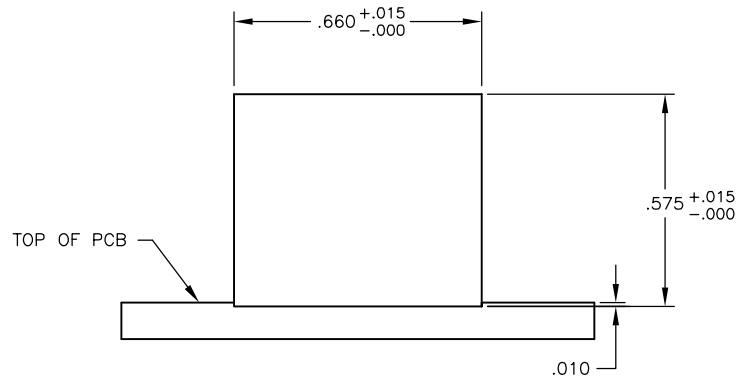


REVISIONS					
#	LN	DESCRIPTION	DATE	BY	APP
D		LOGO CHANGE	07APR2013	QL	KZ

MECHANICAL:



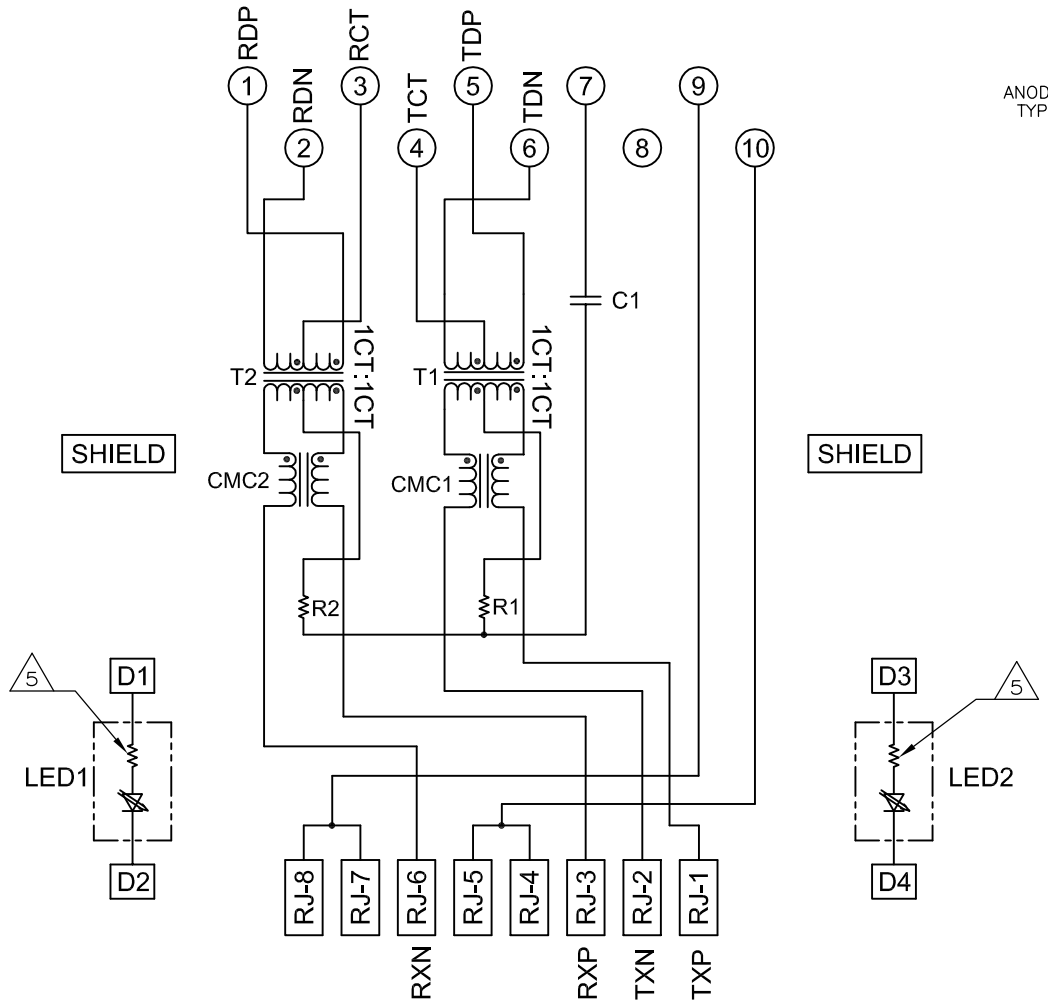
Suggested PCB Layout
(Component Side)



Suggested Panel Cutout

ELECTRICAL:

7U26ET MAGNETIC CIRCUIT



C1 = 1000 pF, 2kV DECOUPLING CAPACITOR
 R1-R2 = 75 OHMS, 1/16W, 5% RESISTORS

- MATERIALS:**
- HOUSING - THERMOPLASTIC PET POLYESTER FLAMMABILITY RATING UL 94V-0.
 - SHIELD - .010" THICK, C26800 BRASS PREPLATED WITH 30μINCH MIN SEMI-BRIGHT NICKEL, SOLDER TABS POST DIPPED WITH 100μINCH MIN SAC SOLDER.
 - MOD JACK CONTACTS - 0.0157" x 0.018" PHOSPHOR BRONZE, 50μINCH MIN OVERALL NICKEL UNDERPLATE, WITH SELECT 50μINCH MIN HARD GOLD FINISH PLATE. SOLDER TAILS WITH 100μINCH MIN MATTE TIN AND/OR SAC SOLDER DIP.
 - LIGHT EMITTING DIODE(LED) - DIFFUSED EPOXY LENS, .020" x .020" CARBON STEEL WIREFRAME LEADS PRE-PLATED WITH 80μINCH SILVER OVER 40μINCH NICKEL UNDERPLATE OVER 40μINCH COPPER UNDERPLATE, POST-PLATED WITH 100μINCH MIN MATTE TIN AND/OR SAC SOLDER DIP OR PURE TIN SOLDER DIP.
- RJ45 JACK CAVITY CONFORMS TO FCC RULES AND REGULATIONS PART 68, SUB PART F.**
- MAGNETICS**
- IMPEDANCE: 100 OHMS
 - TURNS RATIO (CHIP:CABLE): TX = 1:1, RX = 1:1
 - OPEN CIRCUIT INDUCTANCE (OCL): 350μH MIN @100kHz, 0.1VRMS, 8mADC BIAS FROM -40°C TO +85°C, TX AND RX
 - POE CURRENT: 350mADC MAX
 - PERFORMANCE @ 25°C:
 - INSERTION LOSS (IL): 1.1dB MAX FROM 0.5MHz TO 100MHz
 - RETURN LOSS (RL): 18dB MIN FROM 0.5MHz TO 30MHz
 - 18-20LOG(f/30)dB MIN FROM 30.1MHz TO 60MHz
 - 12dB MIN FROM 60.1MHz TO 80MHz
 - CROSSTALK ATTENUATION: 35dB MIN FROM 0.5MHz TO 40MHz
 - 33-20×LOG(f/50)dB MIN FROM 40.1MHz TO 100MHz
 - COMMON MODE REJECTION RATIO (CMRR): 30dB MIN FROM 0.5MHz TO 100MHz
 - ISOLATION VOLTAGE: 2250VDC (MAX) FOR 60 SECONDS WITH A RISE TIME OF 500V/SEC.
 - 4. OPERATING TEMPERATURE: FROM -40° - +85°C INDUSTRIAL TEMPERATURE RATED.
- LEDs WITH BUILT-IN RESISTOR**
- LEDs ARE DRIVEN WITH 5V VOLTAGE AND THE MAX OPERATING CURRENT IS 20mA.
- LED COLOR : DOMINANT WAVELENGTH (λD): GREEN 568 nm TYP. @ VF=5V
 FORWARD CURRENT (IF): GREEN 12 mA TYP. @ VF=5V
 DOMINANT WAVELENGTH (λD): YELLOW 588 nm TYP. @ VF=5V
 FORWARD CURRENT (IF): YELLOW 13 mA TYP. @ VF=5V
- INDICATED MAGNETIC CONNECTIONS ARE SYMMETRICAL TO SUPPORT AUTO-MDI/MDIX.**
- TRP CONNECTOR LOGO, PART NUMBER, DATE CODE, COUNTRY OF ORIGIN AND AGENCY APPROVAL MARKING IN APPROXIMATE LOCATION SHOWN.**
8. THE PART IS RECOMMENDED FOR WAVE SOLDERING PROCESS, PEAK WAVE SOLDERING TEMPERATURE IS 260°C MAX, 10 SECONDS MAX.

GREEN	GREEN	6-6605851-1
LED1	LED2	PART NUMBER

THIS DRAWING IS A CONTROLLED DOCUMENT.		DRN L VARELA - DOCKS	07MAR2005	TRP connector
DIMENSIONS: INCHES		CHK D. FAROLE	07MAR2005	Dongguan China
TOLERANCES UNLESS OTHERWISE SPECIFIED:		APP'D D. FAROLE	07MAR2005	
0 PLC	± .005	PRODUCT SPEC 108-2100		
1 PLC	± .010	NAME 1X1 MAG45(TM), MODULAR JACK, 7UN2		
2 PLC	± .015	INDUSTRIAL TEMP VoIP ETHERNET SCHEMATIC, 7U26ET		
3 PLC	± .020	MAGNETIC CIRCUIT, SHIELDED, WITH RESISTOR LEDs		
4 PLC	± .030	SIZE CASE CODE DRAWING NO		
ANGLES	± .005	A100779 C=6605851		
FINISH	*	RESTRICTED TO		
MATERIAL		WEIGHT	SCALE 4:1	SHEET 1 of 1
CUSTOMER DRAWING		REV D		