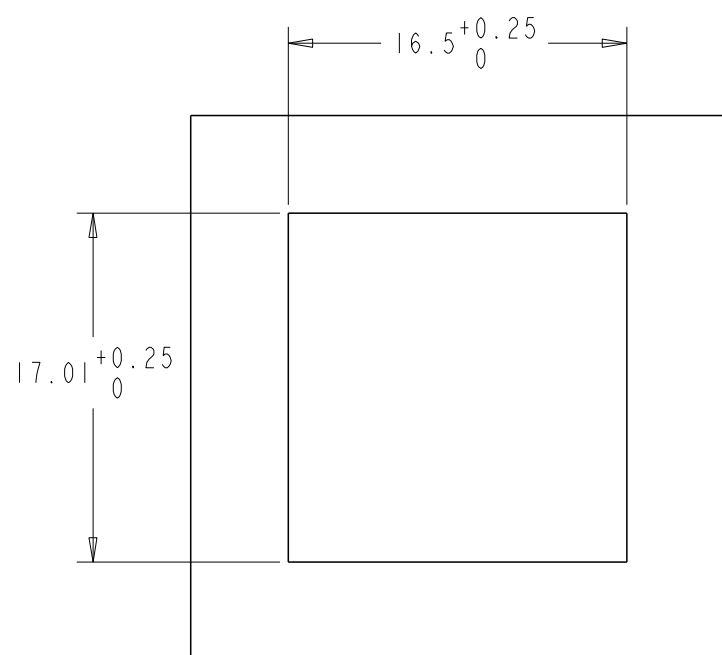
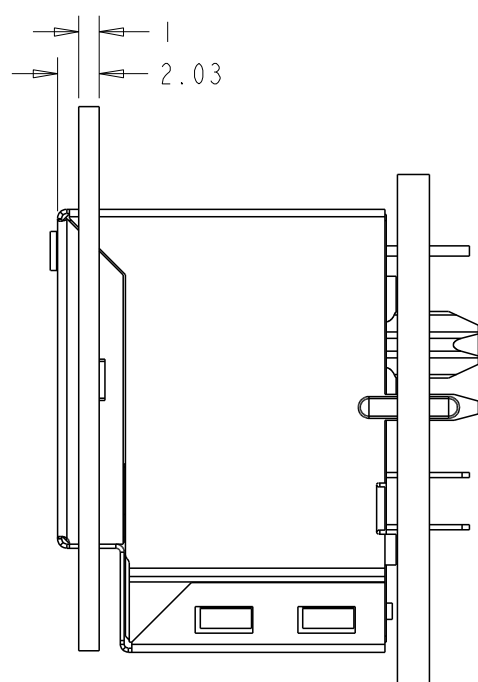
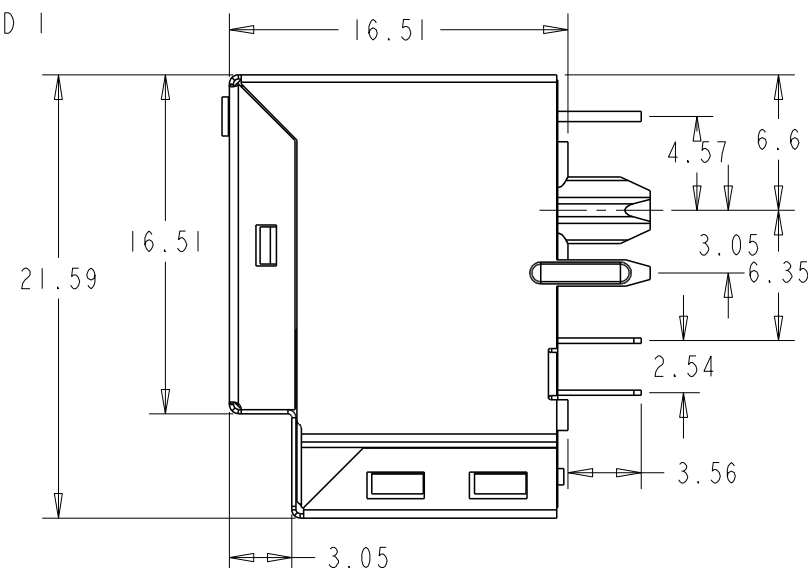
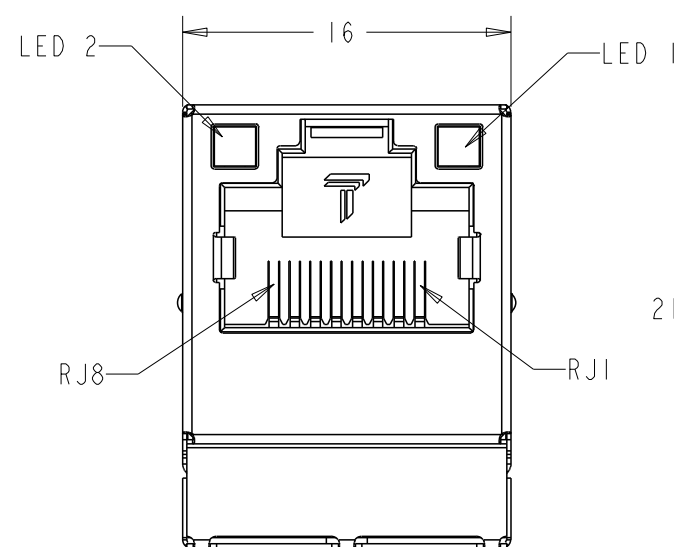
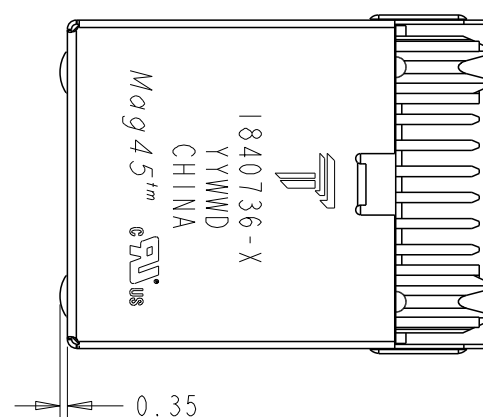
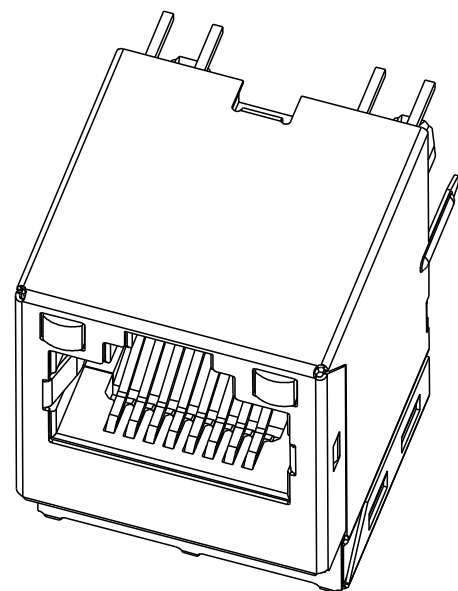


P	LTR	DESCRIPTION	DATE	DWN	APVD
D		LOGO CHANGE	24APR2013	JC	KZ



1. MATERIALS

HOUSING: THERMOPLASTIC, BLACK, FLAMMABILITY RATED UL 94V-0  
 SHIELD: BRASS, 0.20mm THICK, PREPLATED WITH MIN 0.76um SEMI-BRIGHT NICKEL POST DIPPED WITH 2.54um MIN SAC SOLDER AT GROUND PINS.  
 CONTACT: PHOSPHOR BRONZE, WITH 1.27um MIN OVERALL NICKEL UNDERPLATE AND SELECTIVE 1.27um MIN GOLD PLATING AT MATING INTERFACE  
 SOLDER TAIL: PHOSPHOR BRONZE, WITH 1.27um MIN OVERALL NICKEL UNDERPLATE AND PLATED WITH 2.54um MIN TIN  
 LED: DIFFUSED EPOXY LENS, 0.50mm SQUARE CARBON STEEL WIREFRAME LEADS PREPLATED WITH 2.03um MIN SILVER OVER 1.02um MIN NICKEL OVER 1.02um MIN COPPER UNDERPLATE POST PLATED WITH 2.54um MIN TIN



MAGNETICS  
 -APPLICATION: 10/100 BASE-T, EXTENDED TEMPERATURE  
 -IMPEDANCE: 100 OHMS  
 -TURNS RATIO (CHIP:CABLE): TX = 1:1, RX = 1:1  
 -OPEN CIRCUIT INDUCTANCE (OCL): 350uH MIN @100kHz, 0.1VRMS, 8mADC BIAS FROM -40°C TO +85°C, TX AND RX  
 -PERFORMANCE @ 25°C:  
 INSERTION LOSS (IL): 1.1dB MAX FROM 0.5MHz TO 100MHz  
 RETURN LOSS (RL): 18dB MIN FROM 0.5MHz TO 30MHz  
 18-20LOG(f/30)dB MIN FROM 30.1MHz TO 60MHz  
 12dB MIN FROM 60.1MHz TO 80MHz  
 CROSSTALK ATTENUATION: 35dB MIN FROM 0.5MHz TO 40MHz  
 33-20LOG(f/50)dB MIN FROM 40.1MHz TO 100MHz  
 COMMON MODE REJECTION RATIO (CMRR): 30dB MIN FROM 0.5MHz TO 100MHz  
 -ISOLATION VOLTAGE: 2250VDC (MAX) FOR 60 SECONDS WITH A RISE TIME OF 500V/SEC.



THE MAGNETIC ARE SYMMETRICAL AND SUPPORT AUTO-MDIX OPERATION.

- 4. OPERATING TEMPERATURE: -40°C~ 85°C
- 5. LED IS DRIVEN WITH CONSTANT CURRENT AT APPROX 20mA.

DOMINANT WAVELENGTH (λ<sub>D</sub>)  
 GREEN 568nm TYP. at IF=20mA  
 YELLOW 588nm TYP. at IF=20mA

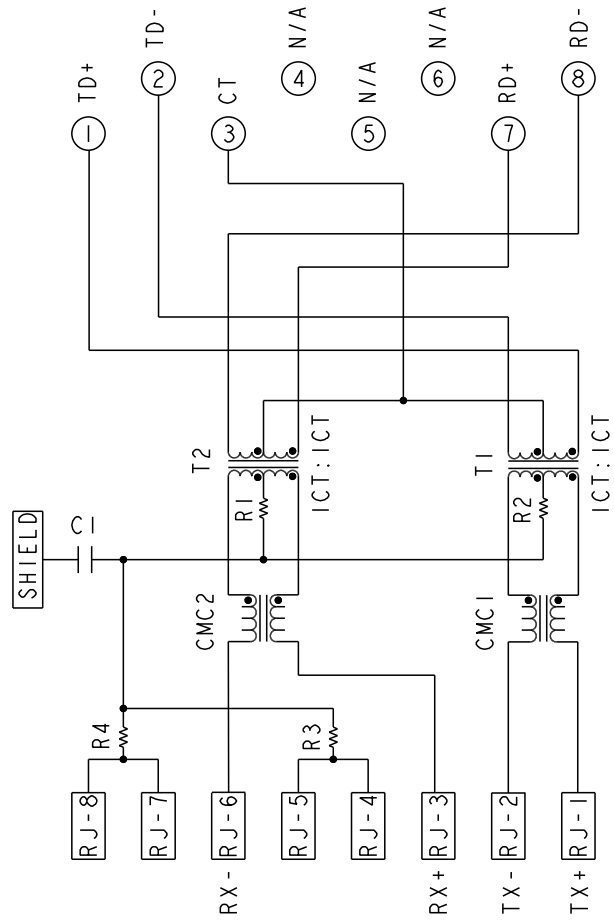
FORWARD VOLTAGE (VF):  
 GREEN 2.2V TYP. at IF=20mA  
 YELLOW 2.1V TYP. at IF=20mA

- 6. ALL DIMENSIONS TO BE NOMINAL UNLESS OTHERWISE NOTED
- 7. RJ45 CAVITY CONFORMS TO FCC RULES AND REGULATION PART 68 SUBPART F.

YELLOW	YELLOW	1-1840736-0
YELLOW	GREEN	1840736-9
GREEN	YELLOW	1840736-8
GREEN	GREEN	1840736-7
GRN/YEL	GRN/YEL	1840736-6
GRN/YEL	GREEN	1840736-5
LED 2	LED 1	PART NUMBER

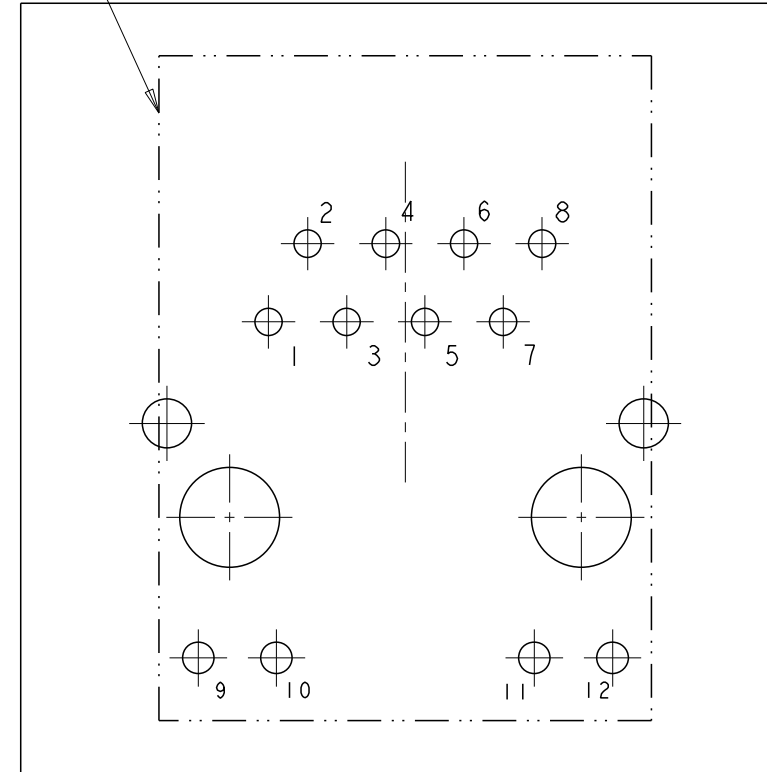
THIS DRAWING IS A CONTROLLED DOCUMENT.		DWN LINDA DING 23AUG2007	<p>TRP connector Dongguan China</p>
DIMENSIONS: mm		CHK KEITH ZHU 23AUG2007	
TOLERANCES UNLESS OTHERWISE SPECIFIED:		APVD TEDDY XIONG 23AUG2007	
0 PLC ±0.25 1 PLC ±0.25 2 PLC ±0.25 3 PLC ±0.25 4 PLC ± ANGLES ± FINISH ±		PRODUCT SPEC	
MATERIAL		APPLICATION SPEC	NAME IXI MAG45(TM) MODULAR JACK, VERTICAL TYPE, 711ETPI3 CIRCUIT, WITH LED
		WEIGHT	SIZE A2 CAGE CODE DRAWING NO C=1840736 RESTRICTED TO
CUSTOMER DRAWING		SCALE 3:1	SHEET 1 OF 2 REV D

# 711ETPI3 10/100 BASE-T CIRCUIT △△

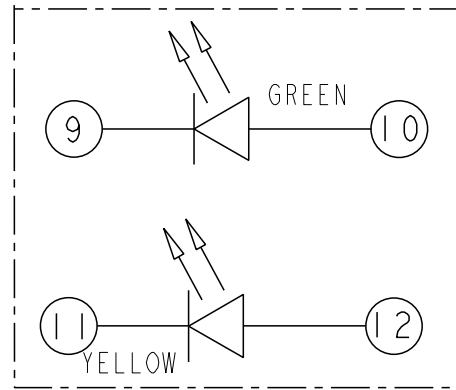


C1 = 1000pF, 2KV, CAPACITOR  
R1 - R4 = 75 ohms, RESISTOR

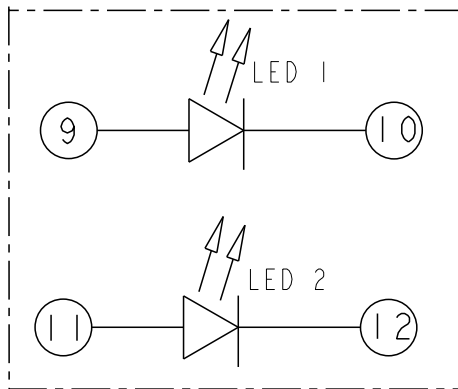
CONNECTOR ENVELOPE



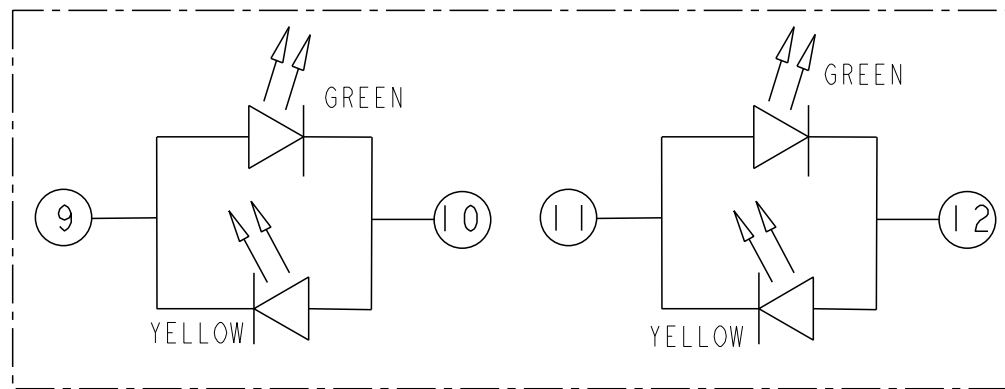
LED FOR 1840736-9 ONLY



SINGLE COLOR LED



BI-COLOR LED



SUGGESTED PCB LAYOUT (TOL: ±0.05)  
(COMPONENT SIDE VIEW)

THIS DRAWING IS A CONTROLLED DOCUMENT.		DWN LINDA DING 23AUG2007	 TRP connector Dongguan China
DIMENSIONS: mm		CHK KEITH ZHU 23AUG2007	
TOLERANCES UNLESS OTHERWISE SPECIFIED:		APVD TEDDY XIONG 23AUG2007	
0 PLC ±0.25 1 PLC ±0.25 2 PLC ±0.25 3 PLC ±0.25 4 PLC ± ANGLES ± FINISH ±		PRODUCT SPEC	
MATERIAL		APPLICATION SPEC	NAME IXI MAG45(TM) MODULAR JACK, VERTICAL TYPE, 711ETPI3 CIRCUIT, WITH LED
		WEIGHT	SIZE A2
		CUSTOMER DRAWING	DRAWING NO. C=1840736
			RESTRICTED TO
			SCALE 3:1
			SHEET 2 OF 2
			REV D