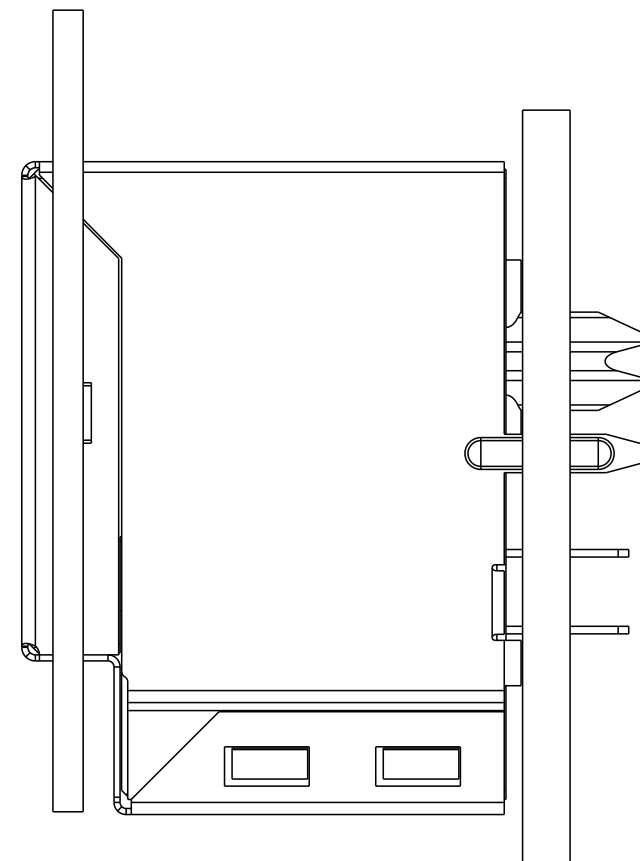
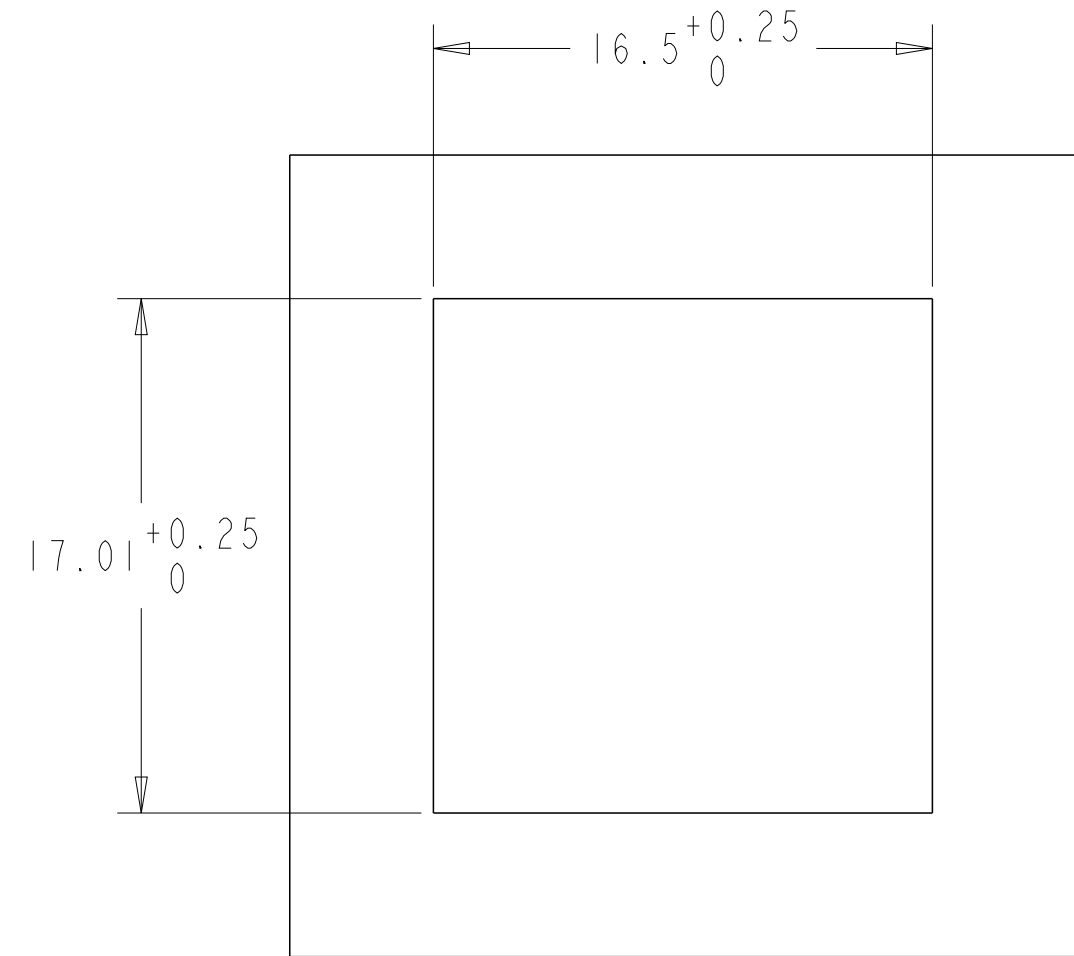
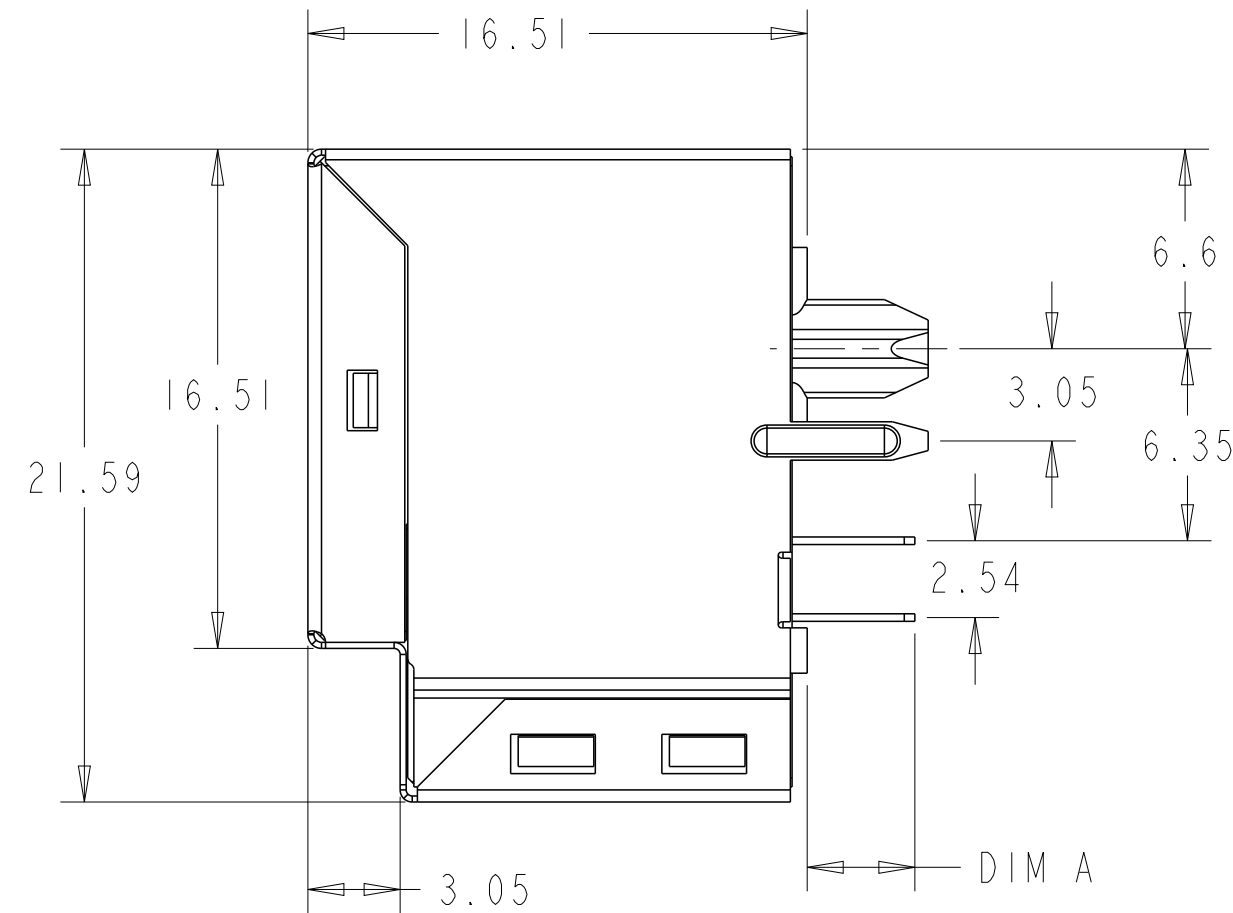
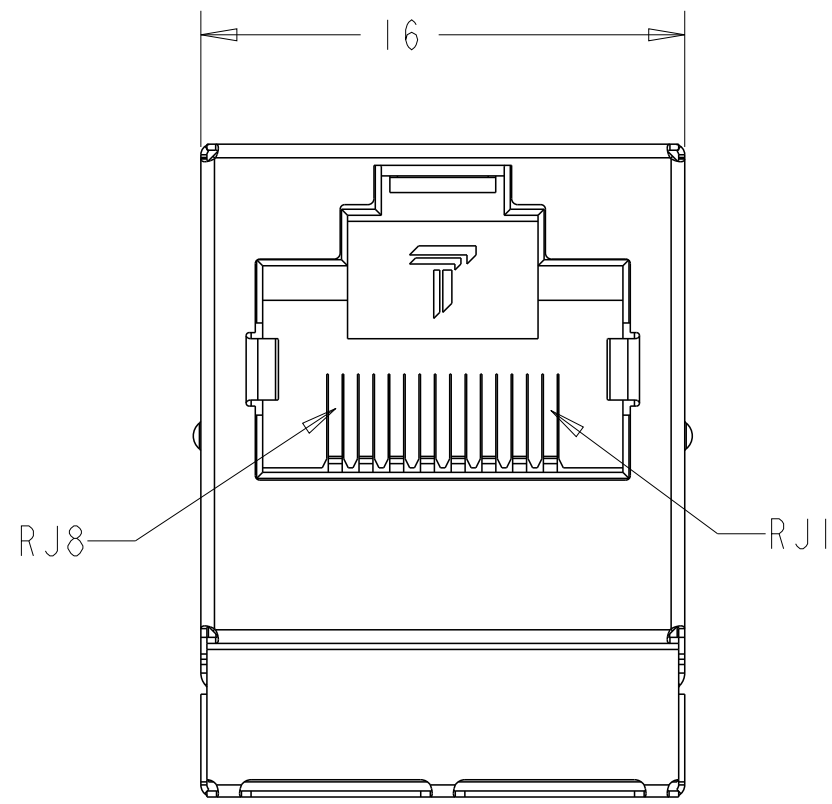
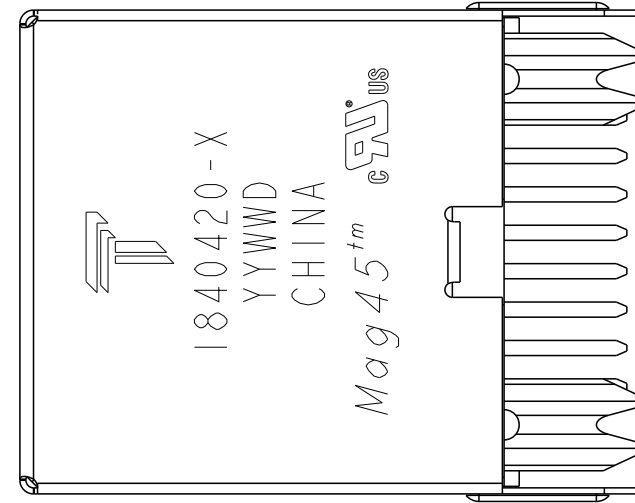
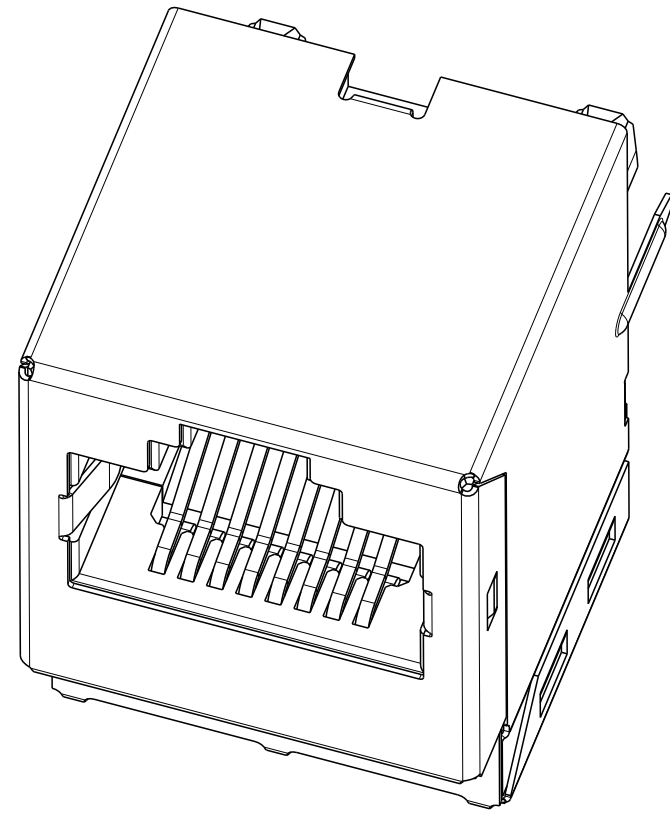


P	LTR	DESCRIPTION	DATE	DWN	APVD
D		LOGO CHANGE	07APR2013	PP	KZ



1. MATERIALS

HOUSING: THERMOPLASTIC, BLACK, FLAMMABILITY RATED UL 94V-0
 SHIELD: BRASS, 0.20mm THICK, PREPLATED WITH MIN 0.76um SEMI-BRIGHT NICKEL POST DIPPED WITH 2.54um MIN SAC SOLDER AT GROUND PINS.
 CONTACT: PHOSPHOR BRONZE, WITH 1.27um MIN OVERALL NICKEL UNDERPLATE AND SELECTIVE 1.27um MIN GOLD PLATING AT MATING INTERFACE
 SOLDER TAIL: PHOSPHOR BRONZE, WITH 1.27um MIN OVERALL NICKEL UNDERPLATE AND PLATED WITH 2.54um MIN TIN
 LED: DIFFUSED EPOXY LENS, 0.50mm SQUARE CARBON STEEL WIREFRAME LEADS PREPLATED WITH 2.03um MIN SILVER OVER 1.02um MIN NICKEL OVER 1.02um MIN COPPER UNDERPLATE POST PLATED WITH 2.54um MIN TIN

2. MAGNETICS

-APPLICATION: 10/100 BASE-T
 -IMPEDANCE: 100 OHMS
 -TURNS RATIO (CHIP:CABLE): TX = 1:1, RX = 1:1
 -OPEN CIRCUIT INDUCTANCE (OCL): 350uH MIN @100kHz, 0.1VRMS, 8mADC BIAS FROM 0°C TO 70°C, TX AND RX
 -PERFORMANCE @ 25°C:
 INSERTION LOSS (IL): 1.1dB MAX FROM 0.5MHz TO 100MHz
 RETURN LOSS (RL): 18dB MIN FROM 0.5MHz TO 30MHz
 18-20LOG(f/30)dB MIN FROM 30.1MHz TO 60MHz
 12dB MIN FROM 60.1MHz TO 80MHz
 CROSSTALK ATTENUATION: 35dB MIN FROM 0.5MHz TO 40MHz
 33-20LOG(f/50)dB MIN FROM 40.1MHz TO 100MHz
 COMMON MODE REJECTION RATIO (CMRR): 30dB MIN FROM 0.5MHz TO 100MHz
 -ISOLATION VOLTAGE: COMPLIES WITH IEEE802.3 2002, PARA 23.5.1.1, ITEM b.

3. THE MAGNETIC ARE SYMMETRICAL AND SUPPORT AUTO-MDIX OPERATION.

4. OPERATING TEMPERATURE: 0 ~ 70°C

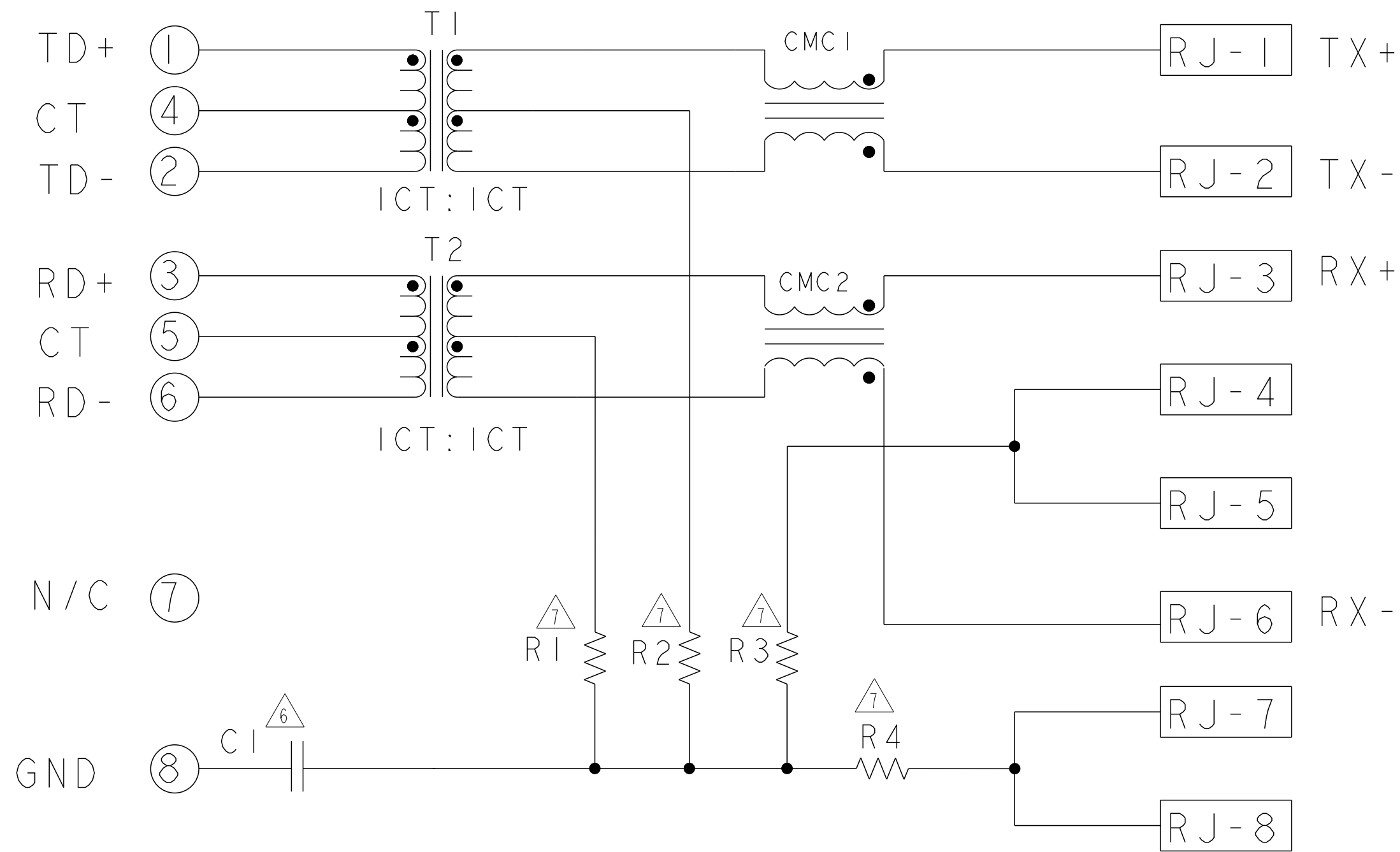
5. ALL DIMENSIONS TO BE NOMINAL UNLESS OTHERWISE NOTED

6. RJ45 CAVITY CONFORMS TO FCC RULES AND REGULATION PART 68 SUBPART F.

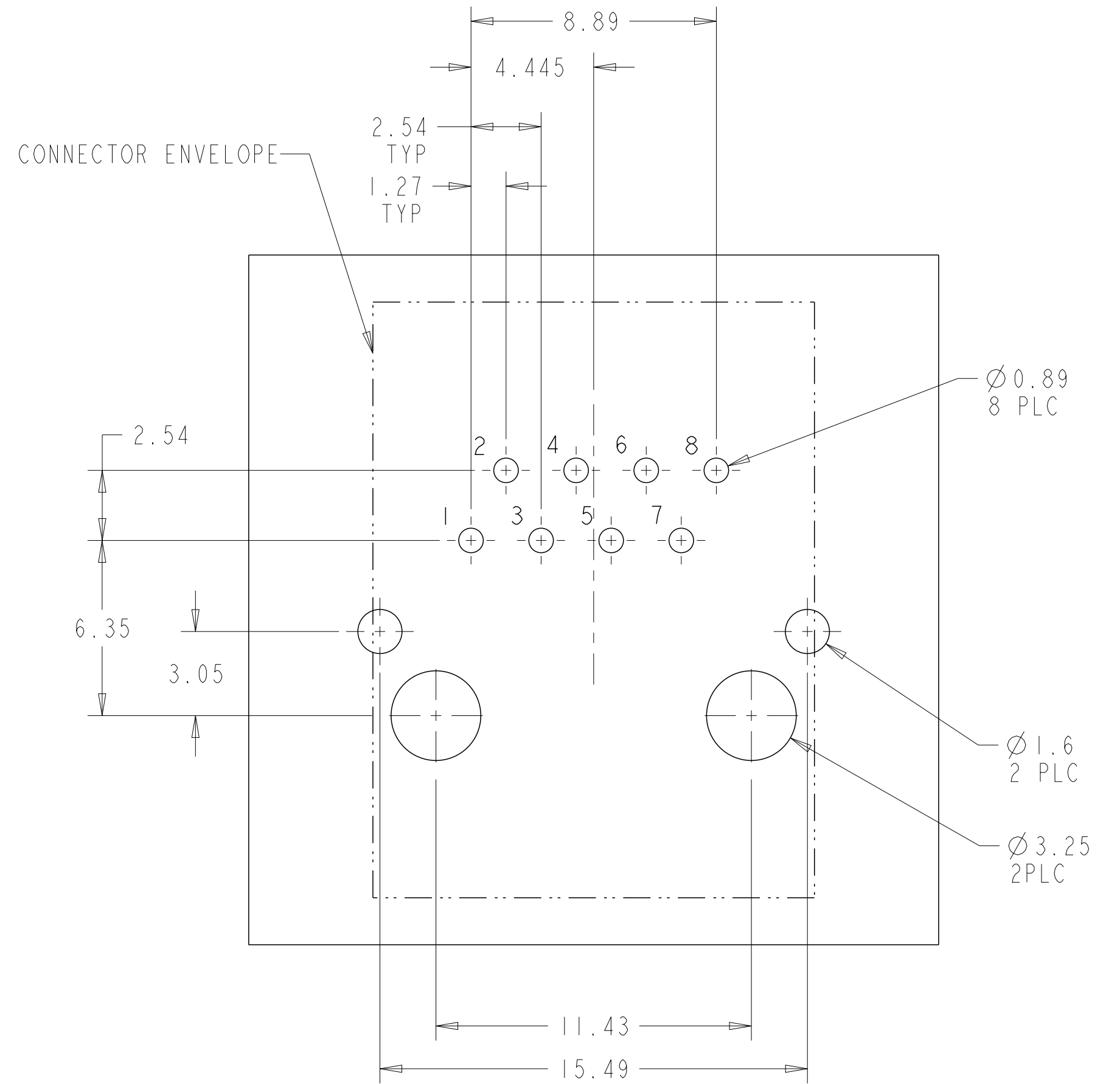
1840420-1
 PART NUMBER

THIS DRAWING IS A CONTROLLED DOCUMENT.		DWN TOMMY REN 18AUG2006		TRP connector Dongguan China		
DIMENSIONS:		CHK KEITH ZHU 18AUG2006		NAME IXI MAG45(TM) MODULAR JACK, VERTICAL, 426P13 CIRCUIT, WITHOUT LED		
mm		APVD TEDDY XIONG 18AUG2006		SIZE A2	CAGE CODE 00779	DRAWING NO C-1840420
		PRODUCT SPEC 108-2100		RESTRICTED TO		
TOLERANCES UNLESS OTHERWISE SPECIFIED:		APPLICATION SPEC	SCALE 3:1			
0 PLC ±0.25		WEIGHT	SHEET 1 OF 2			
1 PLC ±0.25		CUSTOMER DRAWING				
2 PLC ±0.25		REV D				
3 PLC ±0.25						
4 PLC ±						
ANGLES ±						
FINISH						

426P13 10/100 BASE-T CIRCUIT \triangle \triangle



C1 = 1000pF, 2KV, CAPACITOR
 R1 - R4 = 75 ohms, RESISTOR



SUGGESTED PCB LAYOUT (TOL: ± 0.05)
 (COMPONENT SIDE VIEW)

THIS DRAWING IS A CONTROLLED DOCUMENT.		DWN TOMMY REN 18AUG2006		TRP connector Dongguan China	
DIMENSIONS: mm		CHK KEITH ZHU 18AUG2006		NAME IXI MAG45(TM) MODULAR JACK, VERTICAL, 426P13 CIRCUIT, WITHOUT LED	
TOLERANCES UNLESS OTHERWISE SPECIFIED: 0 PLC ± 0.25 1 PLC ± 0.25 2 PLC ± 0.25 3 PLC ± 0.25 4 PLC \pm ANGLES \pm		APVD TEDDY XIONG 18AUG2006	PRODUCT SPEC 108-2100	SIZE A2	CAGE CODE 00779
MATERIAL		FINISH	APPLICATION SPEC	DRAWING NO C-1840420	RESTRICTED TO
CUSTOMER DRAWING			WEIGHT	SCALE 3:1	SHEET 2 OF 2 REV D