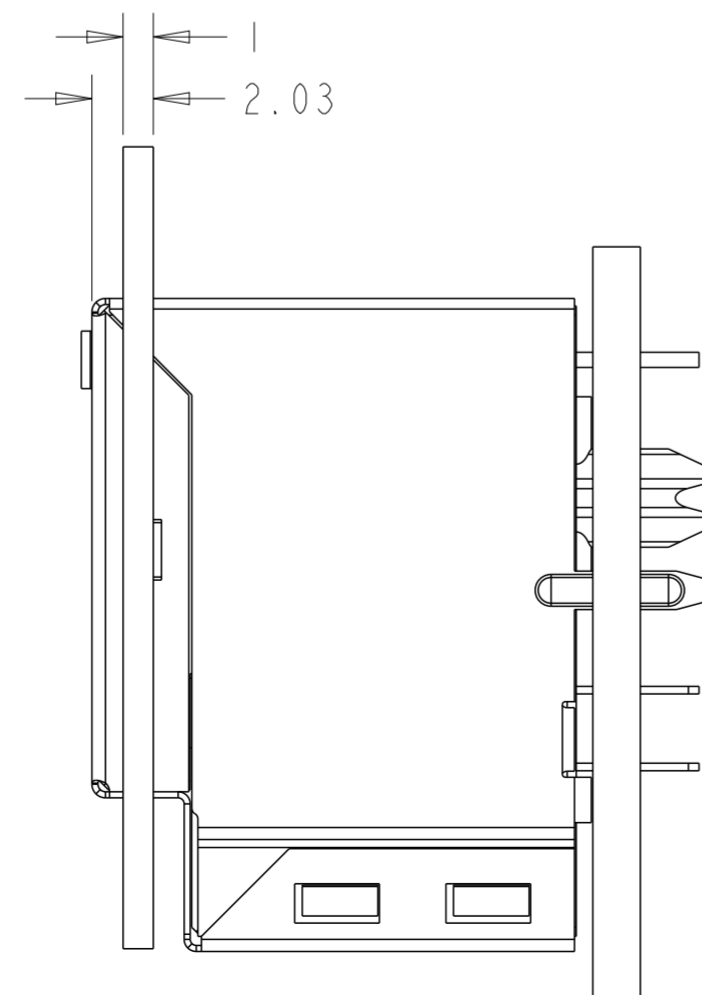
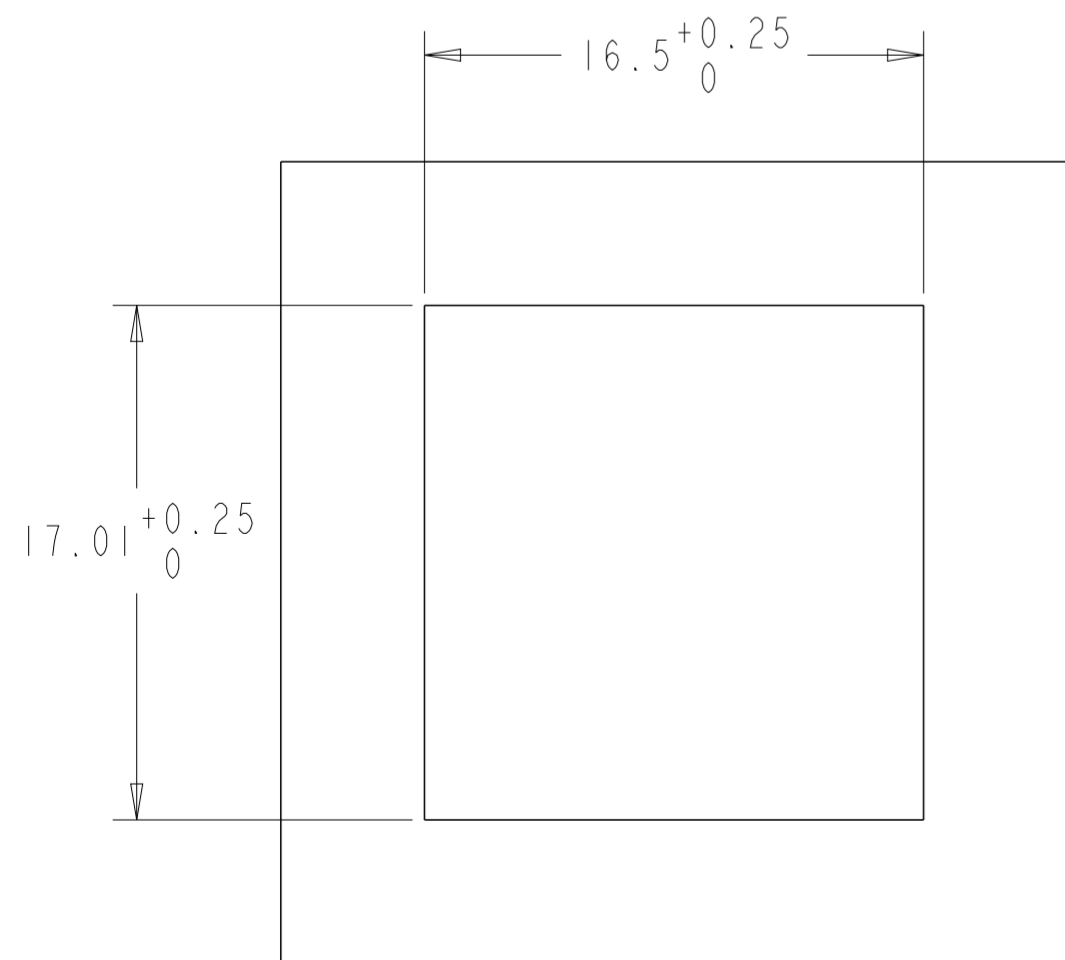
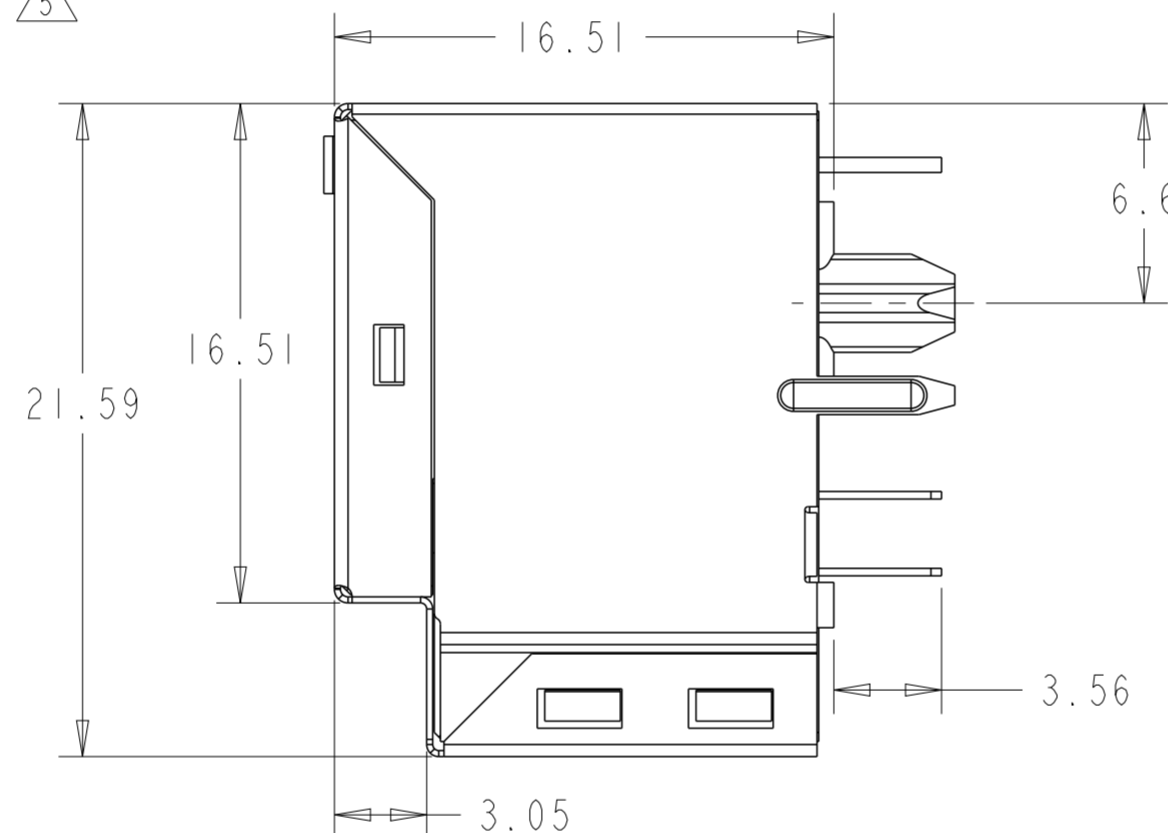
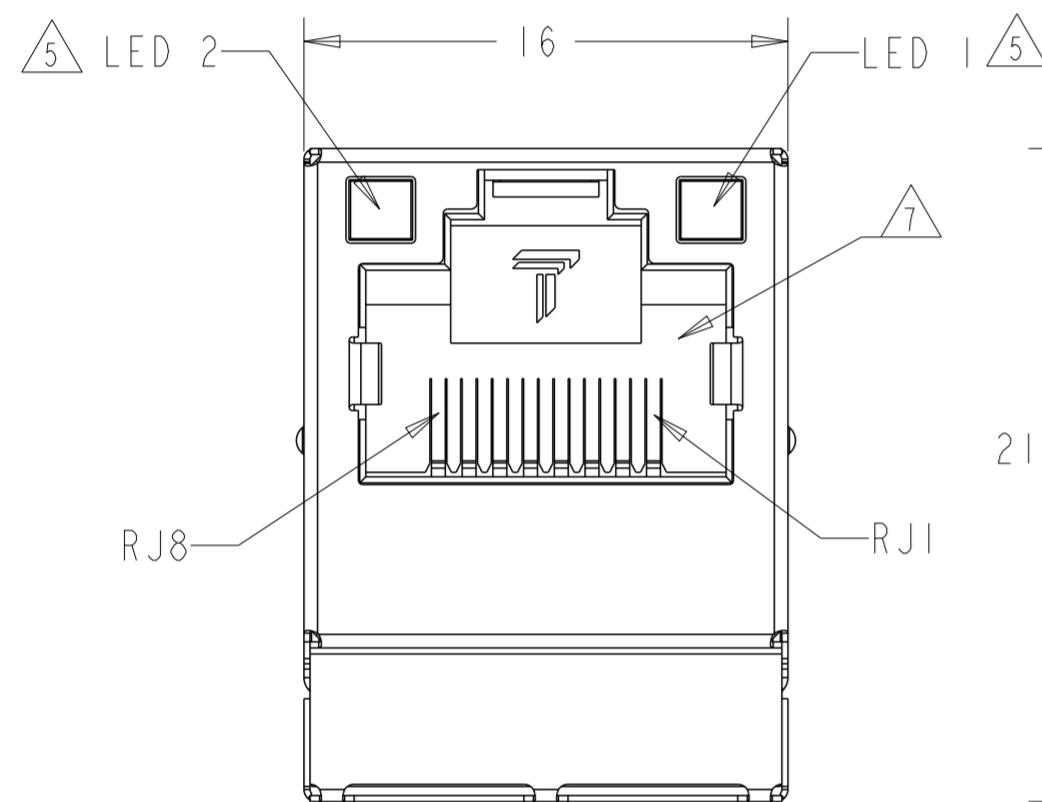
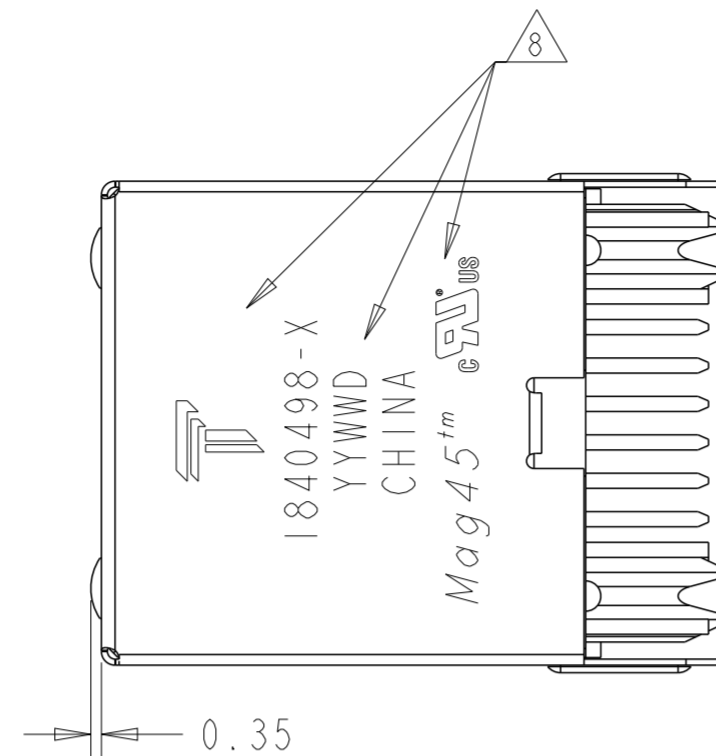
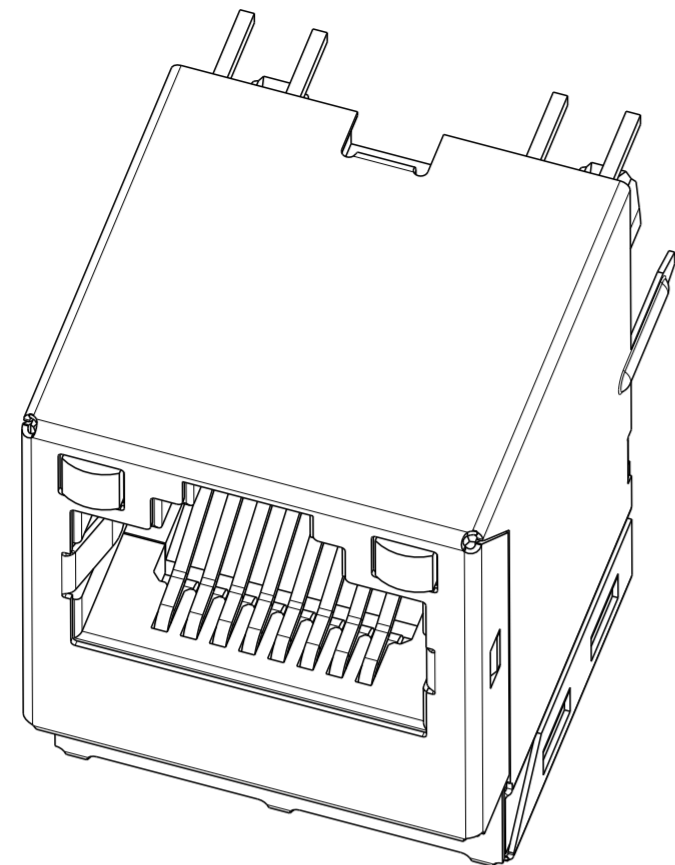


REVISIONS				
P	LTR	DESCRIPTION	DATE	APVD
E		LOGO CHANGE	07APR2013	PP KZ



- 1 MATERIALS
 HOUSING: THERMOPLASTIC, BLACK, FLAMMABILITY RATED UL 94V-0
 SHIELD: BRASS, 0.20mm THICK, PREPLATED WITH MIN 0.76um SEMI-BRIGHT NICKEL POST DIPPED WITH 2.54um MIN SAC SOLDER AT GROUND PINS.
 CONTACT: PHOSPHOR BRONZE, WITH 1.27um MIN OVERALL NICKEL UNDERPLATE AND SELECTIVE 1.27um MIN GOLD PLATING AT MATING INTERFACE
 SOLDER TAIL: PHOSPHOR BRONZE, WITH 1.27um MIN OVERALL NICKEL UNDERPLATE AND PLATED WITH 2.54um MIN TIN
 LED: DIFFUSED EPOXY LENS, 0.50mm SQUARE CARBON STEEL WIREFRAME LEADS PREPLATED WITH 2.03um MIN SILVER OVER 1.02um MIN NICKEL OVER 1.02um MIN COPPER UNDERPLATE POST PLATED WITH 2.54um MIN TIN

- 2 MAGNETICS
 -APPLICATION: 10/100 BASE-T, EXTENDED TEMPERATURE
 -IMPEDANCE: 100 OHMS
 -TURNS RATIO (CHIP:CABLE): TX = 1:1, RX = 1:1
 -OPEN CIRCUIT INDUCTANCE (OCL): 350uH MIN @100kHz, 0.1VRMS, 8mADC BIAS FROM -40°C TO +85°C, TX AND RX
 -PERFORMANCE @ 25°C:
 INSERTION LOSS (IL): 1.1dB MAX FROM 0.5MHz TO 100MHz
 RETURN LOSS (RL): 18dB MIN FROM 0.5MHz TO 30MHz
 18-20LOG(f/30)dB MIN FROM 30.1MHz TO 60MHz
 12dB MIN FROM 60.1MHz TO 80MHz
 CROSSTALK ATTENUATION: 35dB MIN FROM 0.5MHz TO 40MHz
 33-20LOG(f/50)dB MIN FROM 40.1MHz TO 100MHz
 COMMON MODE REJECTION RATIO (CMRR): 30dB MIN FROM 0.5MHz TO 100MHz
 -ISOLATION VOLTAGE: 2250VDC (MAX) FOR 60 SECONDS WITH A RISE TIME OF 500V/SEC)

3 THE MAGNETIC ARE SYMMETRICAL AND SUPPORT AUTO-MDIX OPERATION.

4. OPERATING TEMPERATURE: FROM -40°C TO +85°C

- 5 LEDs ARE DRIVEN WITH CONSTANT CURRENT AT APPROX 20 mA
 LED COLOR: DOMINANT WAVELENGTH (λ D): GREEN 568 nm TYP @ IF=20 mA
 FORWARD VOLTAGE (VF): GREEN 2.2V TYP @ IF=20 mA
 DOMINANT WAVELENGTH (λ D): YELLOW 588 nm TYP @ IF=20 mA
 FORWARD VOLTAGE (VF): YELLOW 2.1V TYP @ IF=20 mA

6 ALL DIMENSIONS TO BE NOMINAL UNLESS OTHERWISE NOTED

7 RJ45 CAVITY CONFORMS TO FCC RULES AND REGULATION PART 68 SUB-PART F.

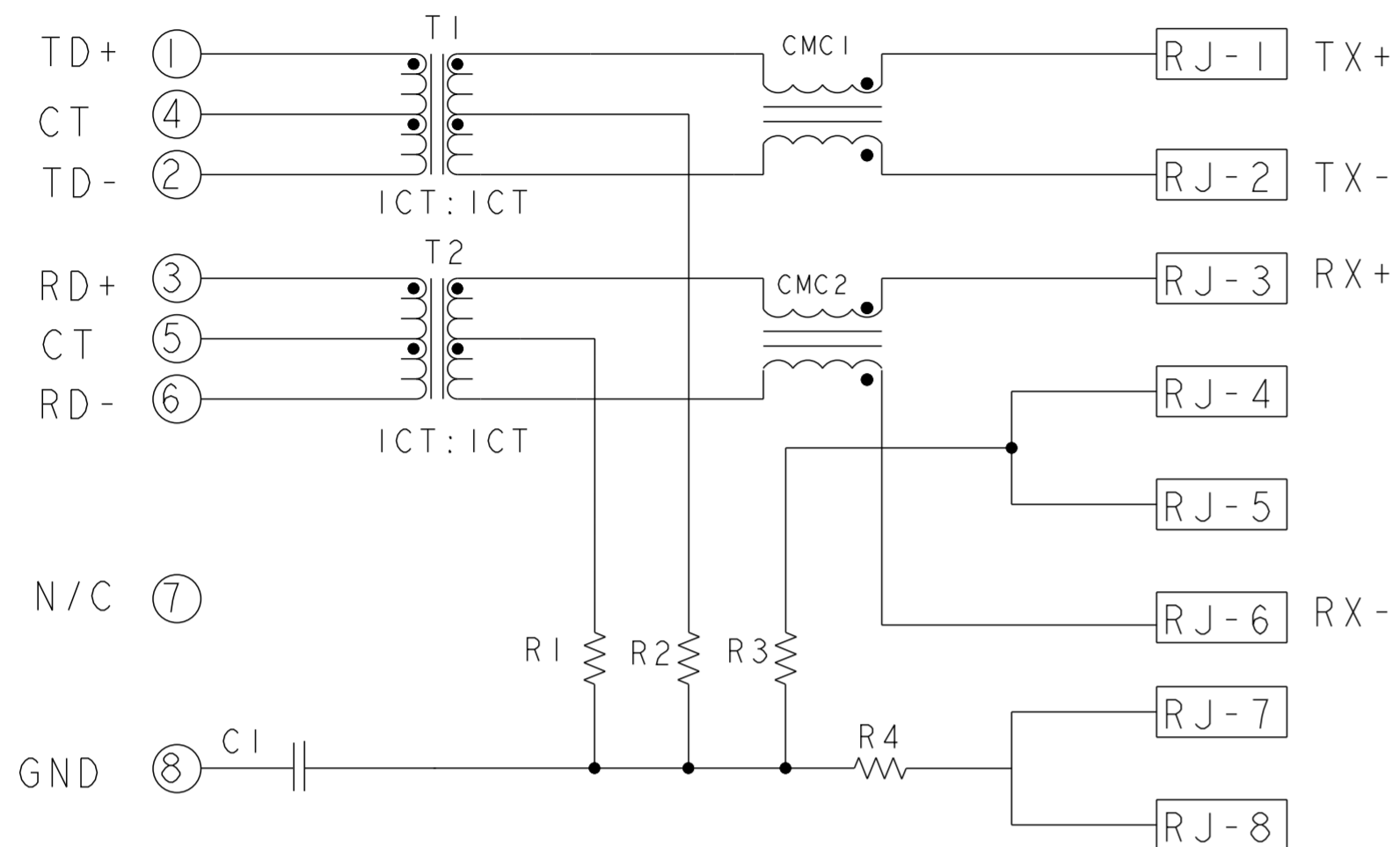
8 TRADEMARK, PART NUMBER, DATE CODE, COUNTRY OF ORIGIN, AND AGENCY APPROVAL MARKING IN APPROXIMATE LOCATION SHOW. DATE CODE: YY IS YEAR, WW IS WORK WEEK, D IS DAY OF WEEK, WITH SUNDAY=1

9. THESE PARTS ARE RECOMMENDED FOR WAVE SOLDERING PROCESS, PEAK SOLDERING TEMPERATURE IS 260 °C MAX, 10 SECONDS MAX

YES	YELLOW	GREEN	1-1840498-3
NO	GREEN/YELLOW	GREEN/YELLOW	1840498-6
NO	YELLOW	GREEN	1840498-1
CUT OUT	LED 1	LED 2	PART NUMBER

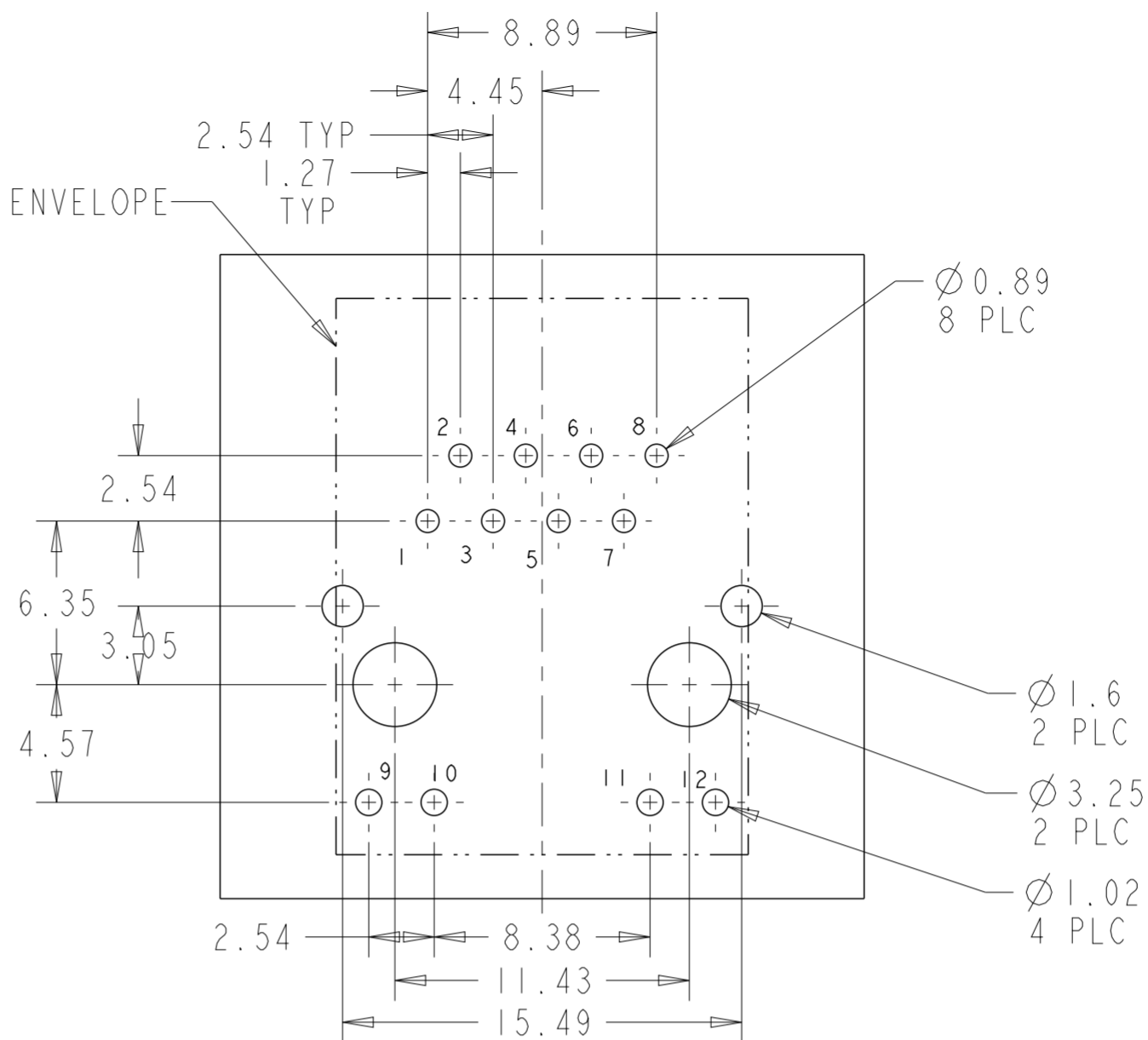
THIS DRAWING IS A CONTROLLED DOCUMENT.		DWN 17AUG2010 SUNNY HAO/JOHNSON		TRP connector Dongguan China	
DIMENSIONS: mm		CHK TOWER YU 17AUG2010		NAME 1X1 MAG45(TM) MODULAR JACK, VERTICAL, 426ETP13 CIRCUIT, WITH LED	
TOLERANCES UNLESS OTHERWISE SPECIFIED:		APVD KEITH ZHU 17AUG2010	PRODUCT SPEC 108-2100		
0 PLC ±0.25		APPLICATION SPEC		SIZE A2	CAGE CODE 00779
1 PLC ±0.25		MATERIAL		DRAWING NO C-1840498	RESTRICTED TO
2 PLC ±0.25		FINISH		WEIGHT -	SCALE 3:1
3 PLC ±0.25		ANGLES		CUSTOMER DRAWING	SHEET 1 OF 2
4 PLC ±		FINISH		REV E	

426ETP13 10/100 BASE-T CIRCUIT



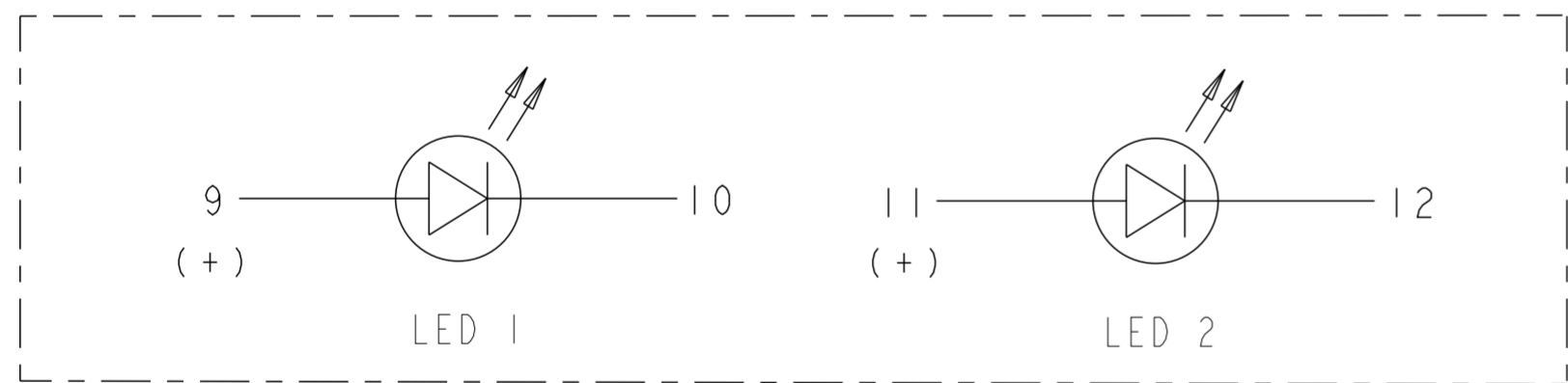
C1 = 1000pF, 2KV, CAPACITOR
 R1 - R4 = 75 ohms, RESISTOR

CONNECTOR ENVELOPE

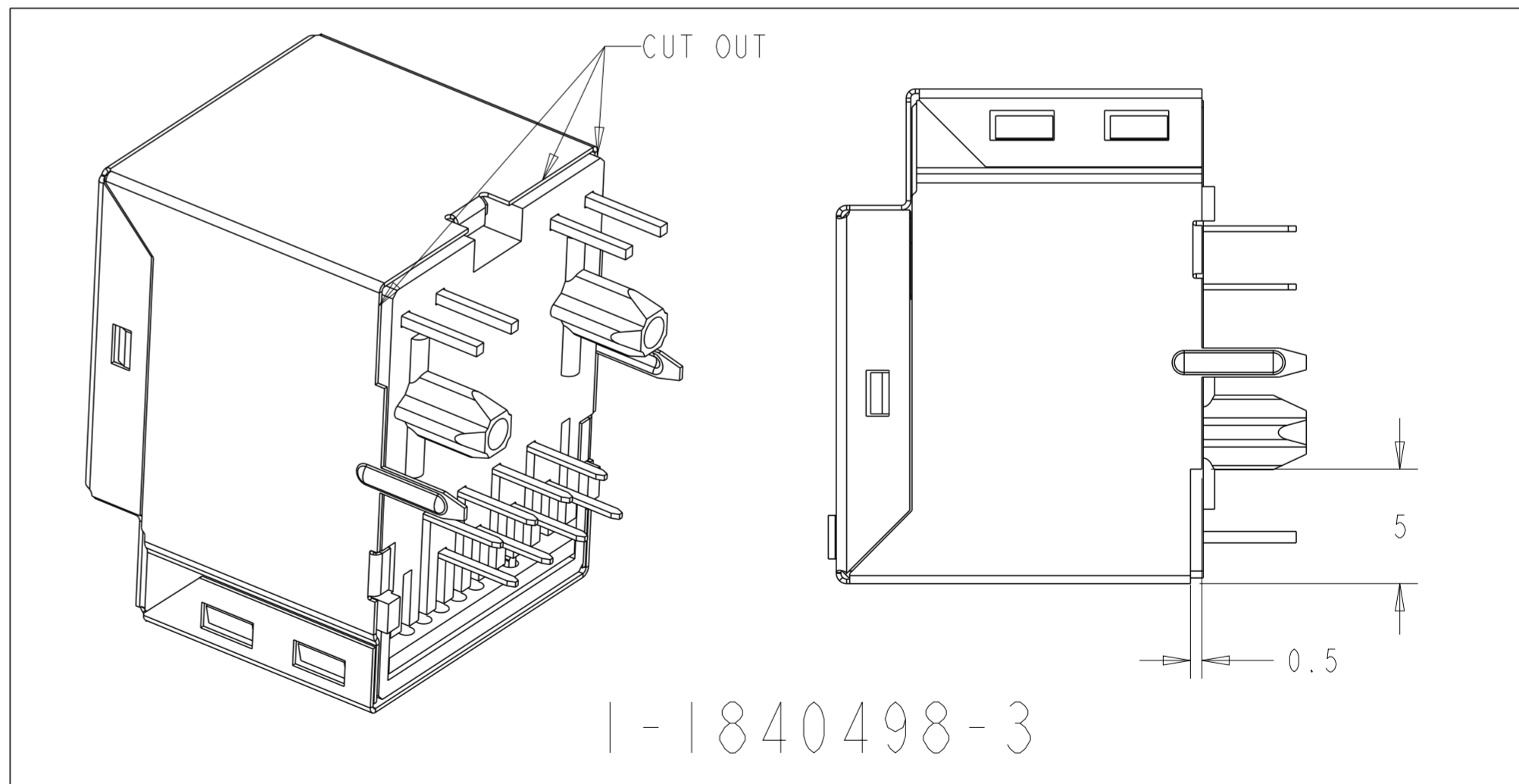
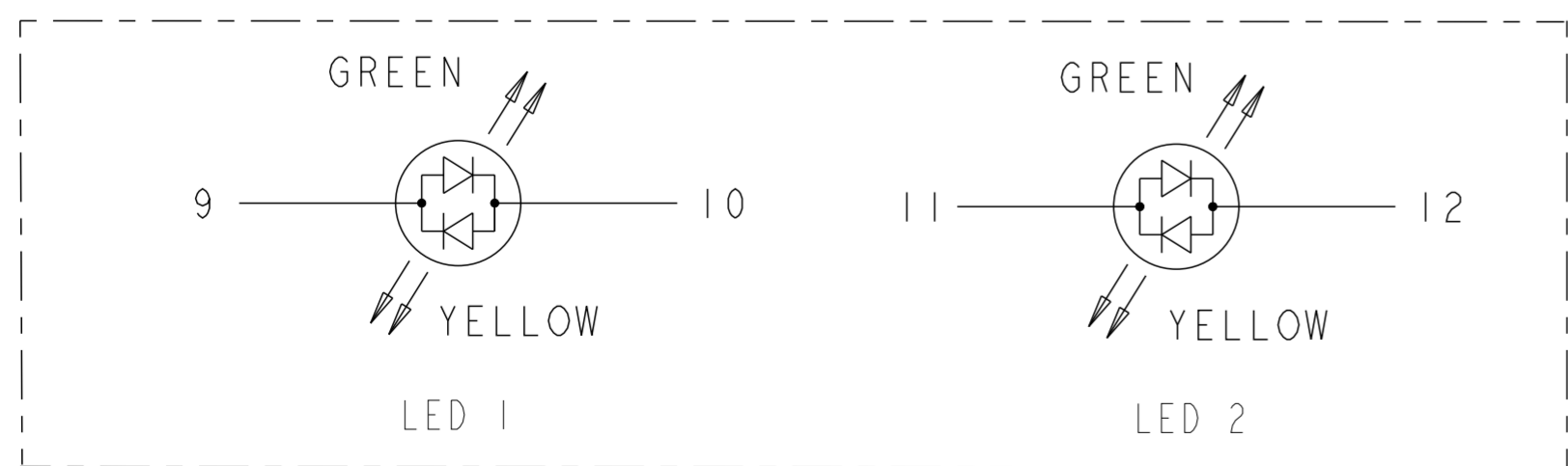


SUGGESTED PCB LAYOUT (TOL: ±0.05)
 (COMPONENT SIDE VIEW)

SINGLE COLOR LED



BI-COLOR LED



THIS DRAWING IS A CONTROLLED DOCUMENT.		DWN: 17AUG2010 SUNNY_HAO/JOHNSON		TRP connector Dongguan China	
		CHK: 17AUG2010 TOWER_YU			
DIMENSIONS: mm		APVD: 17AUG2010 KEITH_ZHU	PRODUCT SPEC: 108-2100		NAME: 1X1 MAG45(TM) MODULAR JACK, VERTICAL, 426ETP13 CIRCUIT, WITH LED
TOLERANCES UNLESS OTHERWISE SPECIFIED:		APPLICATION SPEC: -		SIZE: A2	CAGE CODE: 00779
MATERIAL: -		FINISH: -		DRAWING NO: C-1840498	
		WEIGHT: -		RESTRICTED TO: -	
		CUSTOMER DRAWING		SCALE: 3:1	SHEET 2 OF 2
				REV: E	