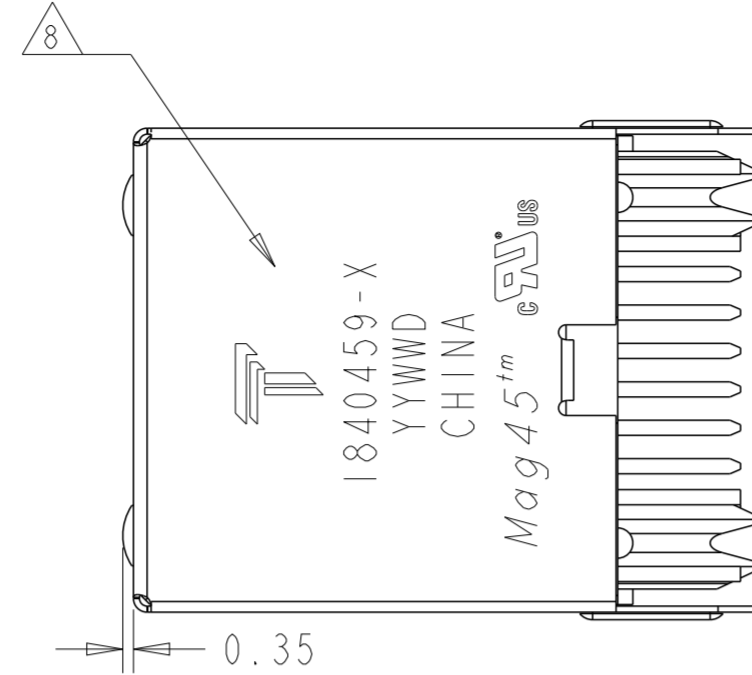
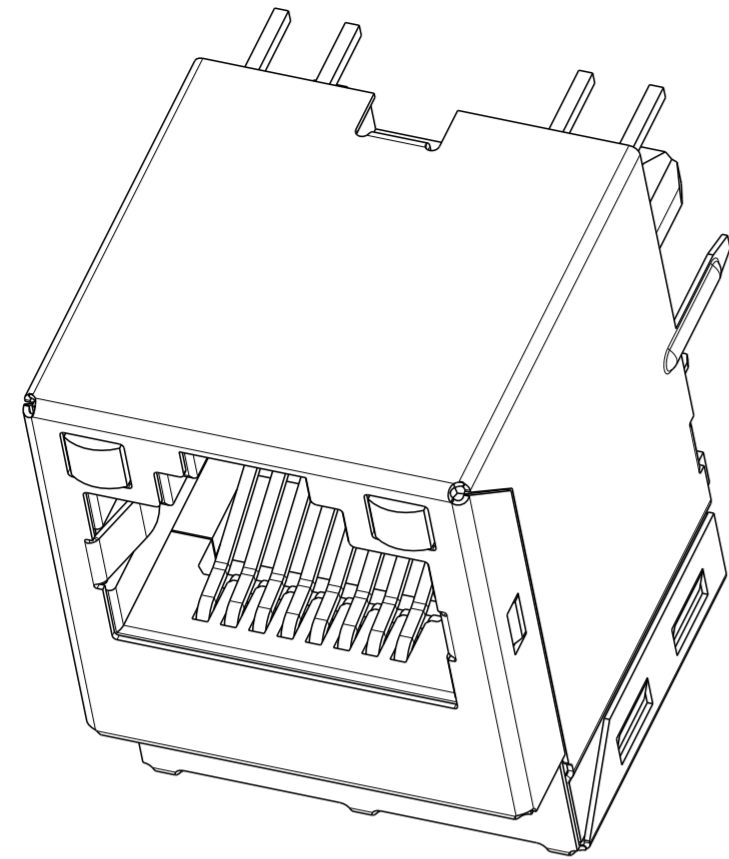


P	LTR	DESCRIPTION	DATE	DWN	APVD
C		LOGO CHANGE	07APR2013	PP	KZ



- 1 MATERIALS
 HOUSING: THERMOPLASTIC, BLACK, FLAMMABILITY RATED UL 94V-0
 SHIELD: BRASS, 0.20mm THICK,
 PREPLATED WITH MIN 0.76um SEMI-BRIGHT NICKEL
 POST DIPPED WITH 2.54um MIN SAC SOLDER AT GROUND PINS.
 CONTACT: PHOSPHOR BRONZE,
 WITH 1.27um MIN OVERALL NICKEL UNDERPLATE AND
 SELECTIVE 1.27um MIN GOLD PLATING AT MATING INTERFACE
 SOLDER TAIL: PHOSPHOR BRONZE,
 WITH 1.27um MIN OVERALL NICKEL UNDERPLATE AND
 PLATED WITH 2.54um MIN TIN
 LED: DIFFUSED EPOXY LENS, 0.50mm SQUARE CARBON STEEL WIREFRAME LEADS
 PREPLATED WITH 2.03um MIN SILVER OVER 1.02um MIN NICKEL
 OVER 1.02um MIN COPPER UNDERPLATE POST PLATED WITH 2.54um MIN TIN

- 2 MAGNETICS
 -APPLICATION: 10/100/1000 BASE-T, EXTENDED TEMPERATURE
 -IMPEDANCE: 100 OHMS
 -TURNS RATIO (CHIP:CABLE): 1:1 ALL FOUR PAIRS
 -OPEN CIRCUIT INDUCTANCE (OCL): 350uH MIN @100kHz, 0.1VRMS,
 8mADC BIAS FROM -40°C TO 85°C, ALL FOUR PAIRS
 -ALL FOUR PAIRS BI-DIRECTIONAL
 -PERFORMANCE @ 25°C:
 INSERTION LOSS (IL): 1.1dB MAX FROM 0.5MHz TO 100MHz
 RETURN LOSS (RL): 18dB MIN FROM 0.5MHz TO 40MHz
 12-20LOG(f/80)dB MIN FROM 40.1MHz TO 100MHz
 CROSSTALK ATTENUATION: 35dB MIN FROM 0.5MHz TO 40MHz
 33-20LOG(f/50)dB MIN FROM 40.1MHz TO 100MHz
 COMMON MODE REJECTION RATIO (CMRR): 30dB MIN FROM 0.5MHz TO 100MHz
 -ISOLATION VOLTAGE: COMPLIES WITH IEEE802.3 2002, PARA 40.6.1.1, ITEM b.

3 THE MAGNETICS ARE SYMMETRICAL AND SUPPORT AUTO-MDIX OPERATION.

4. OPERATING TEMPERATURE: -40 ~ 85°C

5 LED IS DRIVEN WITH CONSTANT CURRENT AT APPROX 20mA.

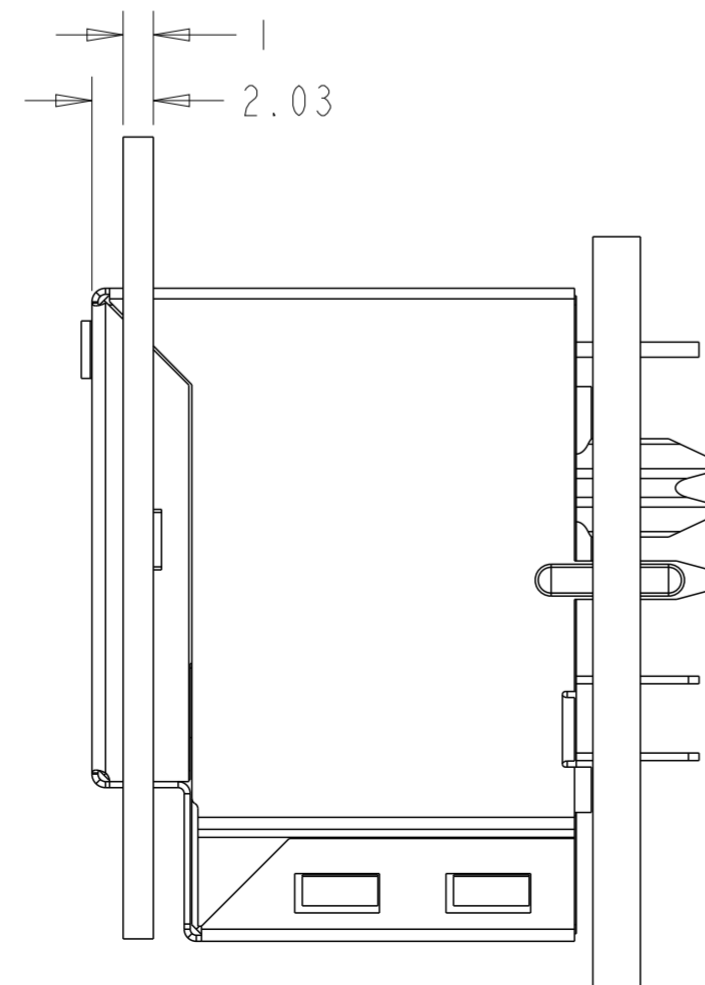
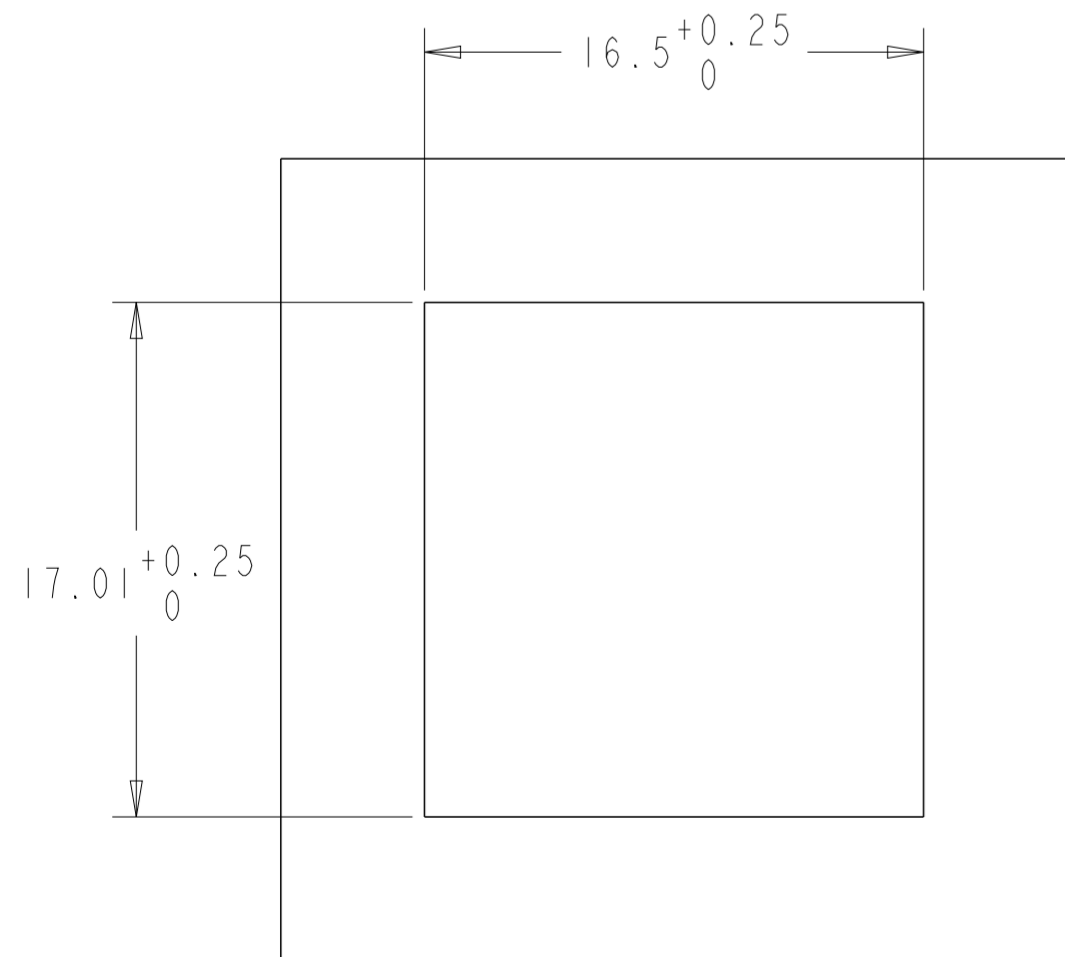
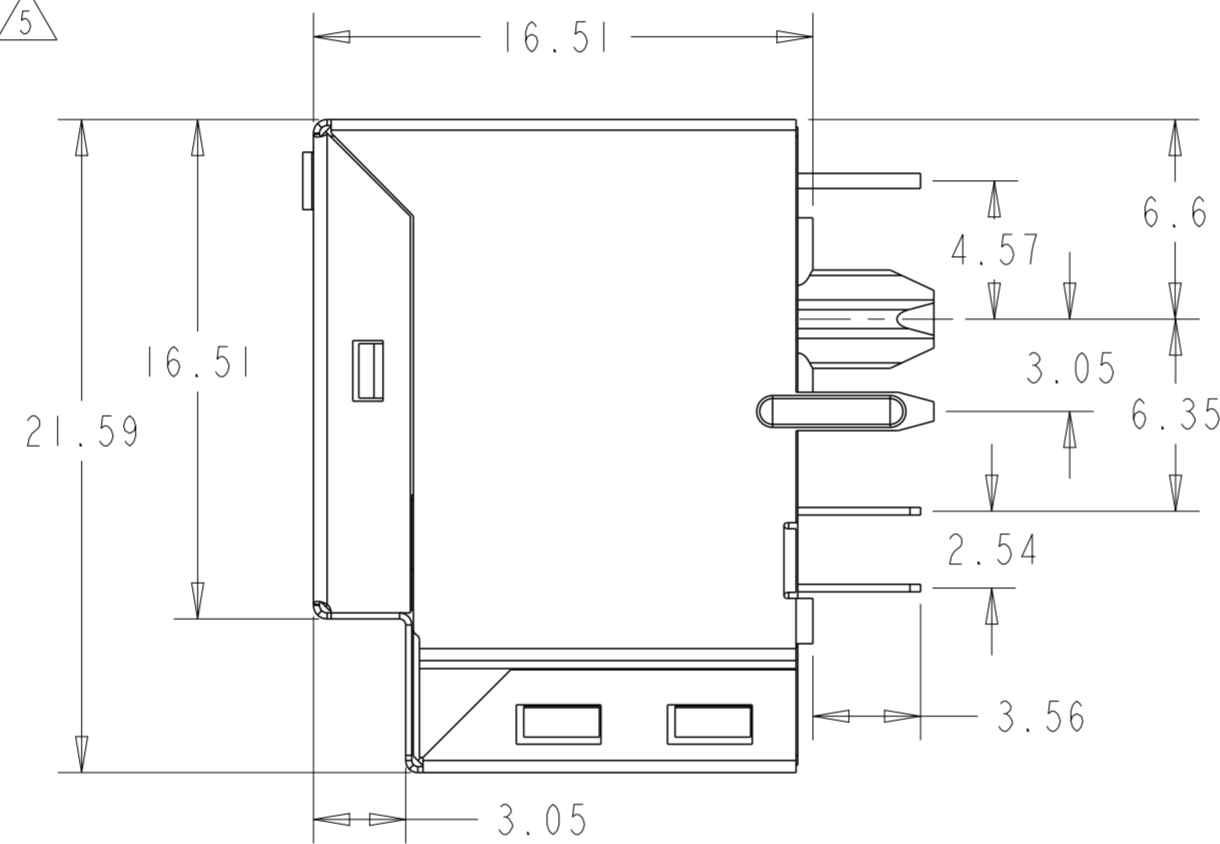
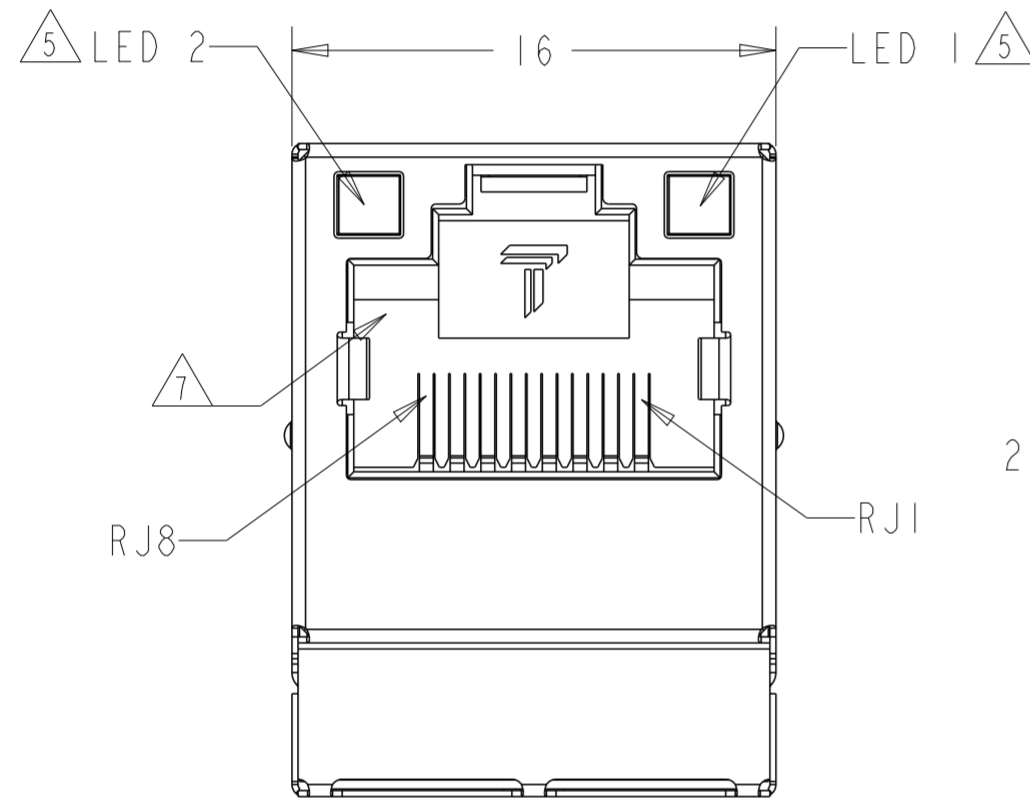
DOMINANT WAVELENGTH(λD)
 GREEN 568nm TYP.at IF=20mA
 YELLOW 588nm TYP.at IF=20mA

FORWARD VOLTAGE(VF):
 GREEN 2.2V TYP.at IF=20mA
 YELLOW 2.1V TYP.at IF=20mA

6. ALL DIMENSIONS TO BE NOMINAL UNLESS OTHERWISE NOTED

7 RJ45 CAVITY CONFORMS TO FCC RULES AND REGULATION PART 68 SUBPART F.

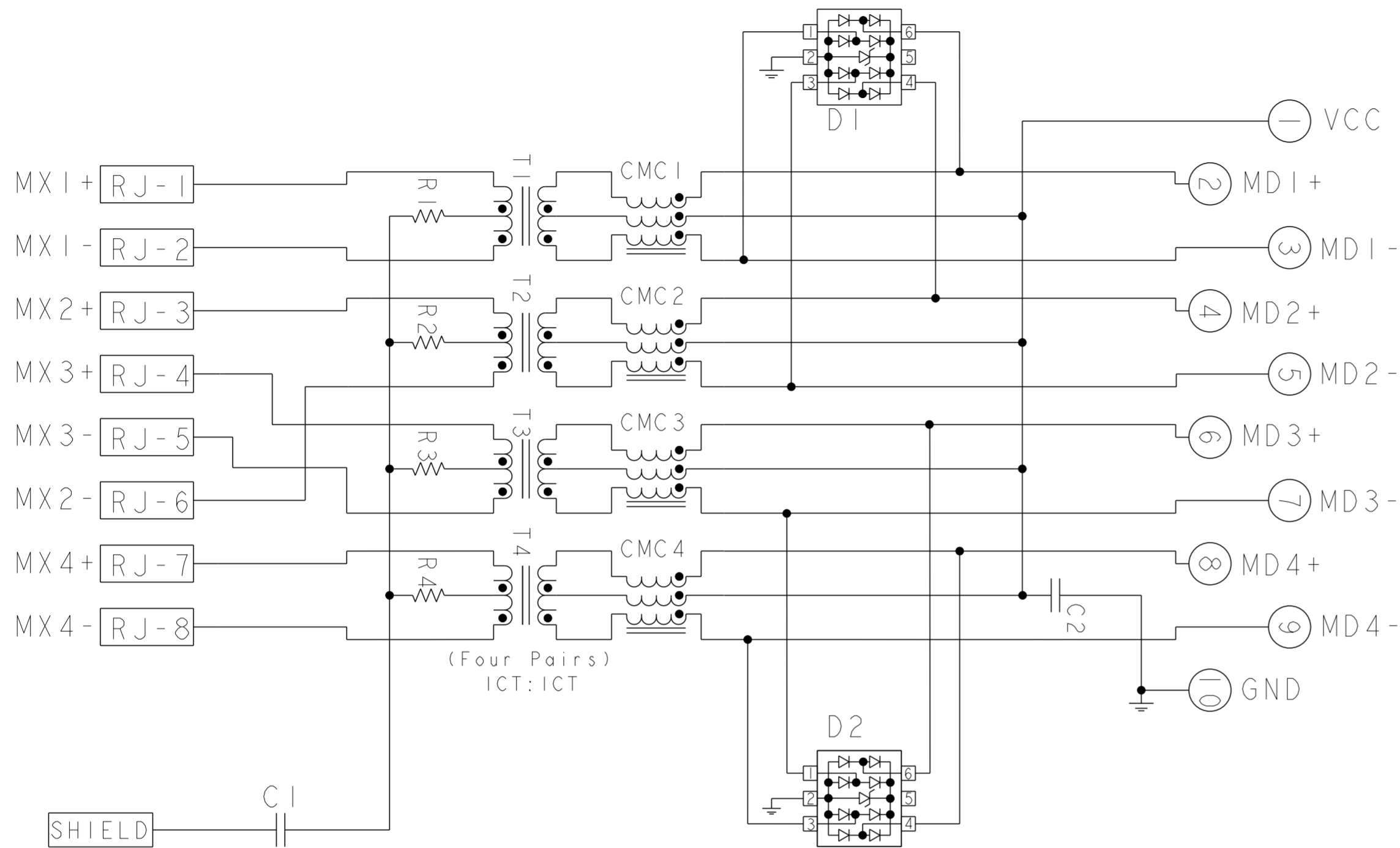
8 TRP CONNECTOR LOGO PART NUMBER, DATE CODE, COUNTRY OF ORIGIN AND AGENCY LOGO TO BE MARKED IN APPROXIMATE LOCATION AS SHOWN. DATE CODE:YY IS YEAR, WW IS WORK WEEK, D IS DAY OF WEEK WITH SUNDAY=1.



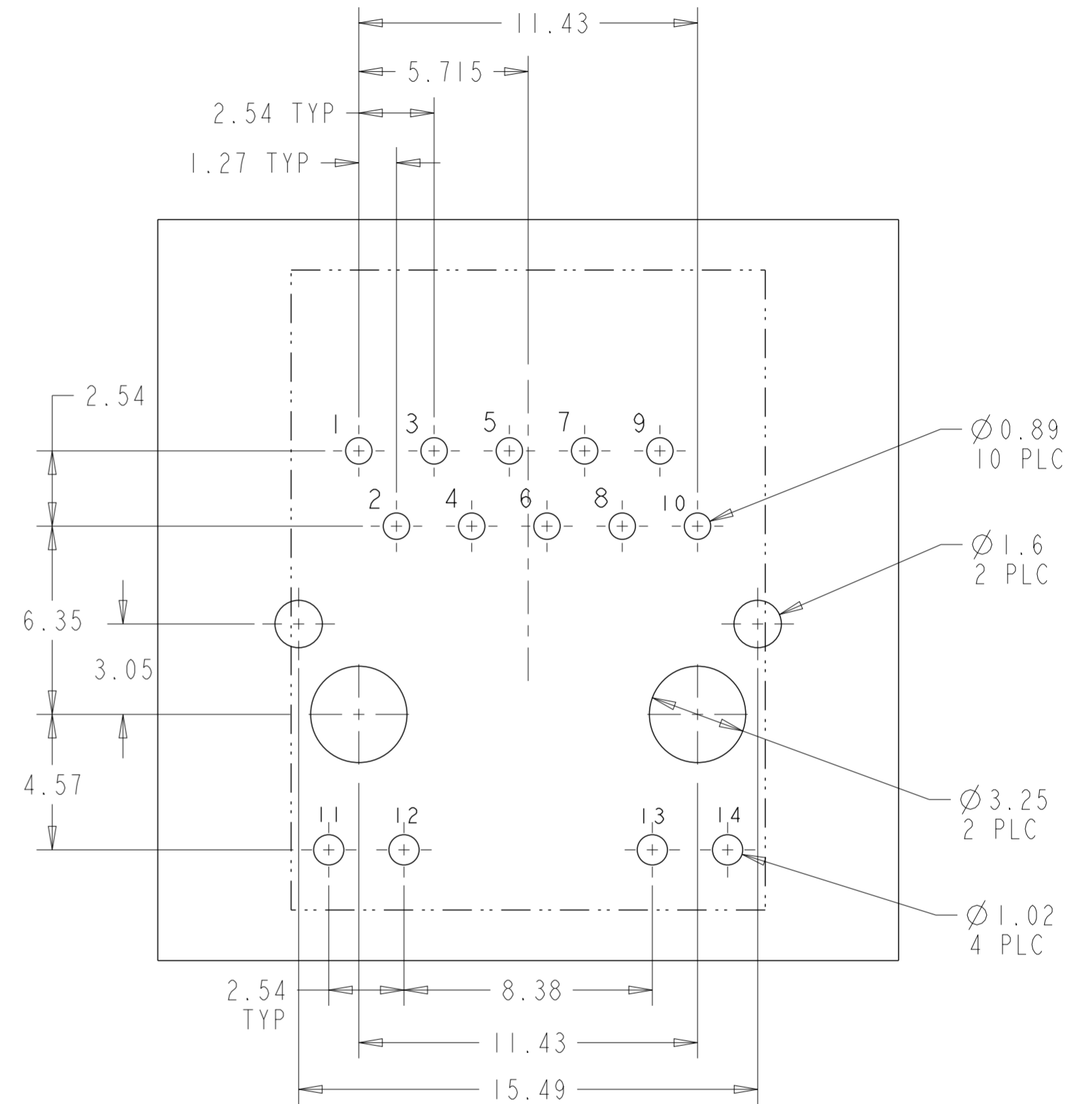
GRN/YEL	GRN/YEL	1840459-4
YELLOW	GREEN	1840459-3
GREEN	YELLOW	1840459-2
GREEN	GREEN	1840459-1
LED 1	LED 2	PART NUMBER

THIS DRAWING IS A CONTROLLED DOCUMENT.		DWN TOMMY REN 26FEB2008	TRP connector Dongguan China	
DIMENSIONS: mm		CHK FRANK LIU 26FEB2008		
TOLERANCES UNLESS OTHERWISE SPECIFIED:		APVD TEDDY XIONG 26FEB2008	NAME 1X1 MAG45(TM) MODULAR JACK, VERTICAL, 4G59ET CIRCUIT, WITH LED	
0 PLC ±0.25	1 PLC ±0.25	PRODUCT SPEC 108-2100	SIZE A2	CAGE CODE 00779
2 PLC ±0.25	3 PLC ±0.25	APPLICATION SPEC -	DRAWING NO C-1840459	RESTRICTED TO
4 PLC ±	ANGLES ±	WEIGHT -	SCALE 3:1	SHEET 1 OF 2
FINISH		CUSTOMER DRAWING	REV C	

4G59ET GIGABIT CIRCUIT △△

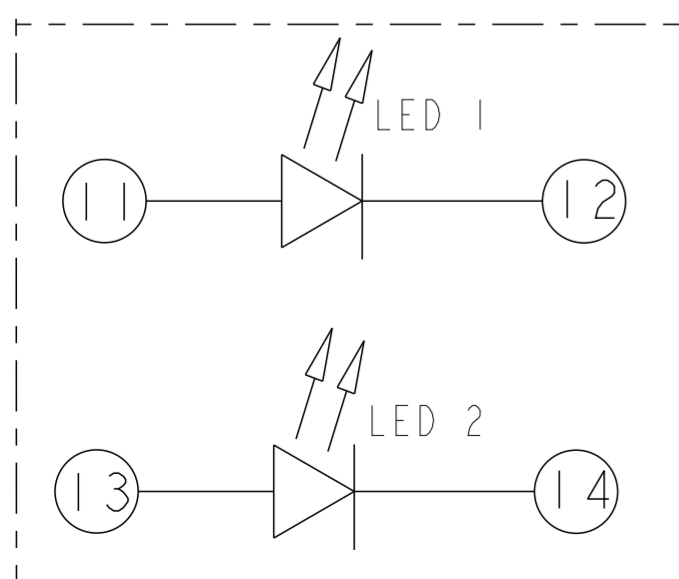


C1 = 1000pF, 2KV, CAPACITOR
 C2 = 0.1uF, 50V, CAPACITOR
 R1 - R4 = 75 ohms, RESISTORS
 D1 - D2 = SRV05-4, TVS DIODE ARRAYS

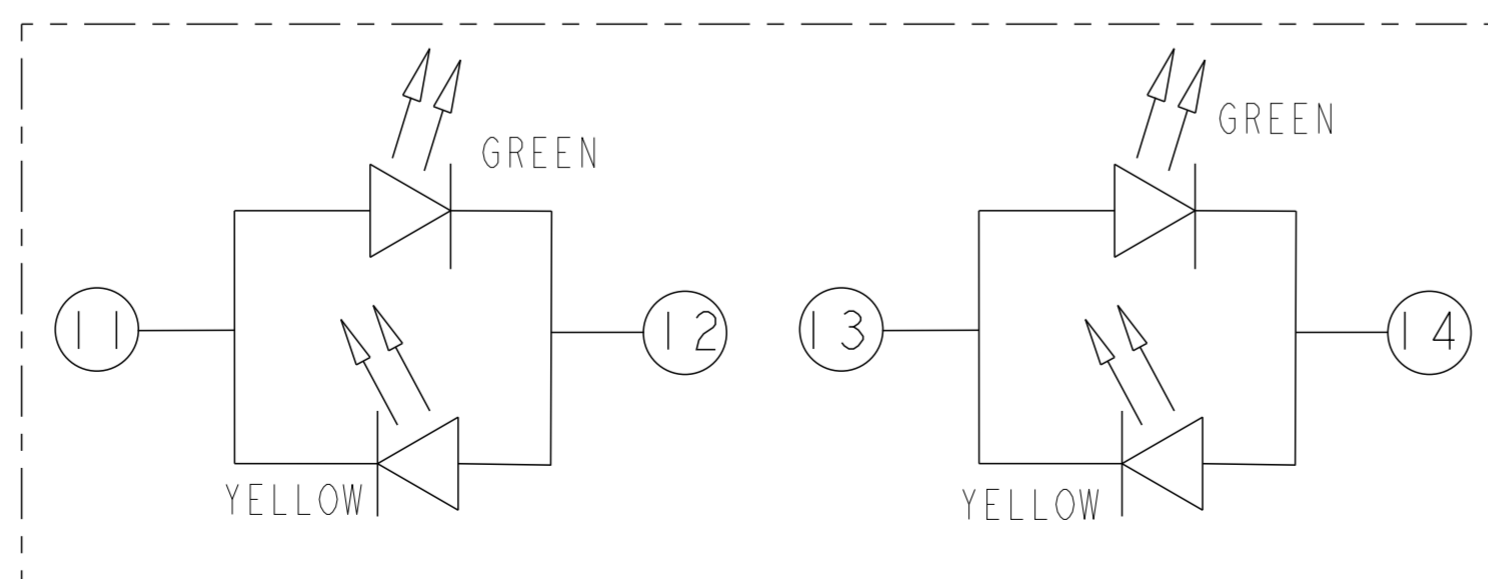


SUGGESTED PCB LAYOUT (TOL: ±0.05)
(COMPONENT SIDE VIEW)

SINGLE COLOR LED



BI-COLOR LED



THIS DRAWING IS A CONTROLLED DOCUMENT.		DWN 26FEB2008 TOMMY REN	 TRP connector Dongguan China
DIMENSIONS:		CHK 26FEB2008 FRANK LIU	
mm		APVD 26FEB2008 TEDDY XIONG	
TOLERANCES UNLESS OTHERWISE SPECIFIED:		PRODUCT SPEC	NAME
0 PLC ±0.25	1 PLC ±0.25	108-2100	1X1 MAG45(TM) MODULAR JACK, VERTICAL, 4G59ET CIRCUIT, WITH LED
2 PLC ±0.25	3 PLC ±0.25	APPLICATION SPEC	SIZE
4 PLC ±	ANGLES ±	WEIGHT	A2
MATERIAL	FINISH	CUSTOMER DRAWING	CAGE CODE
			00779
			DRAWING NO
			C-1840459
		SCALE 3:1	RESTRICTED TO
		SHEET 2 OF 2	REV C