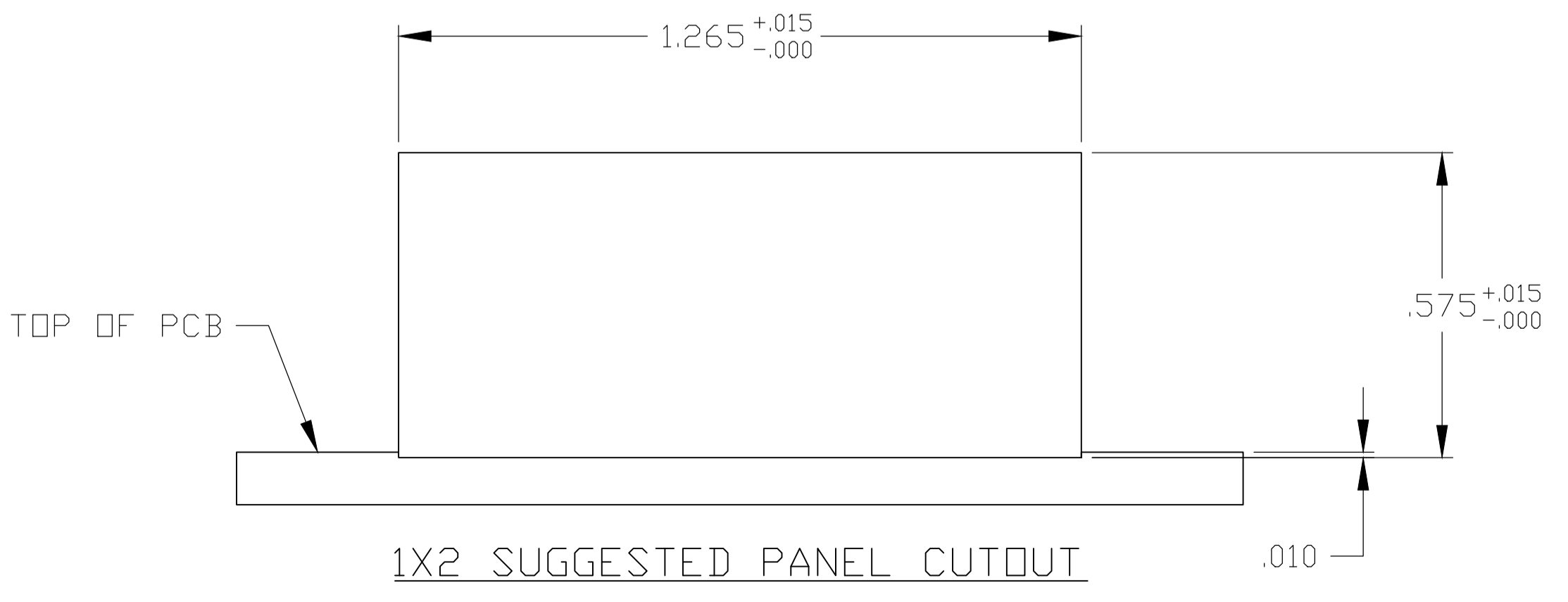
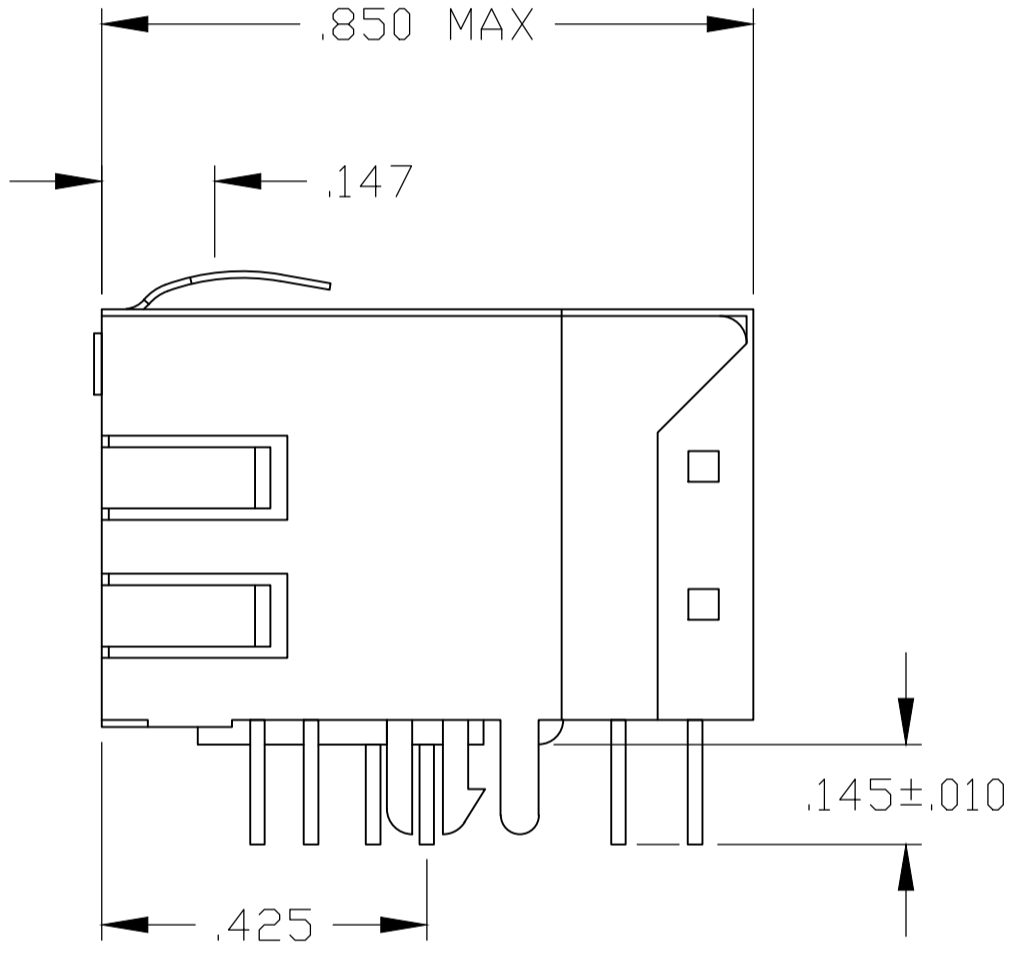
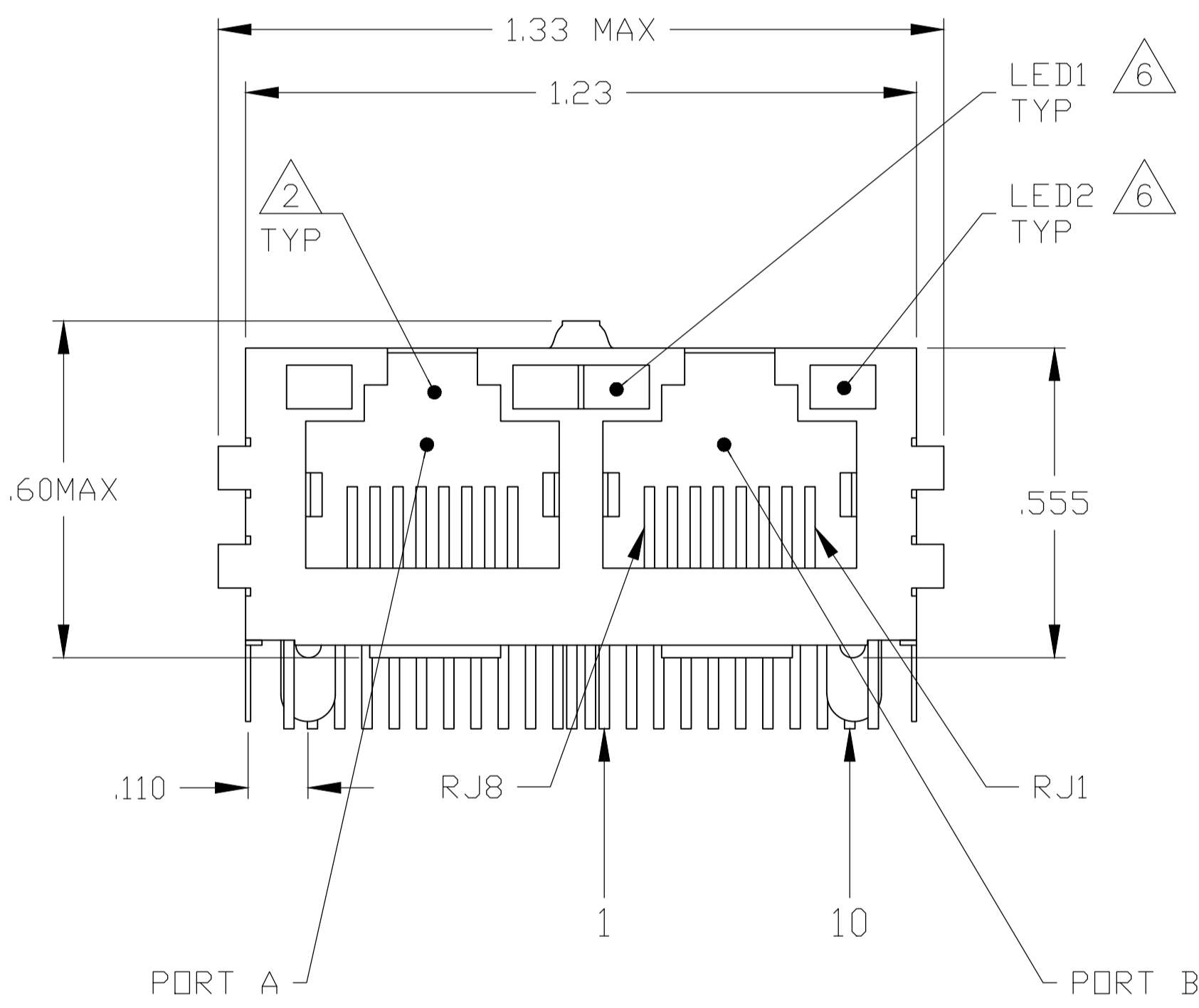
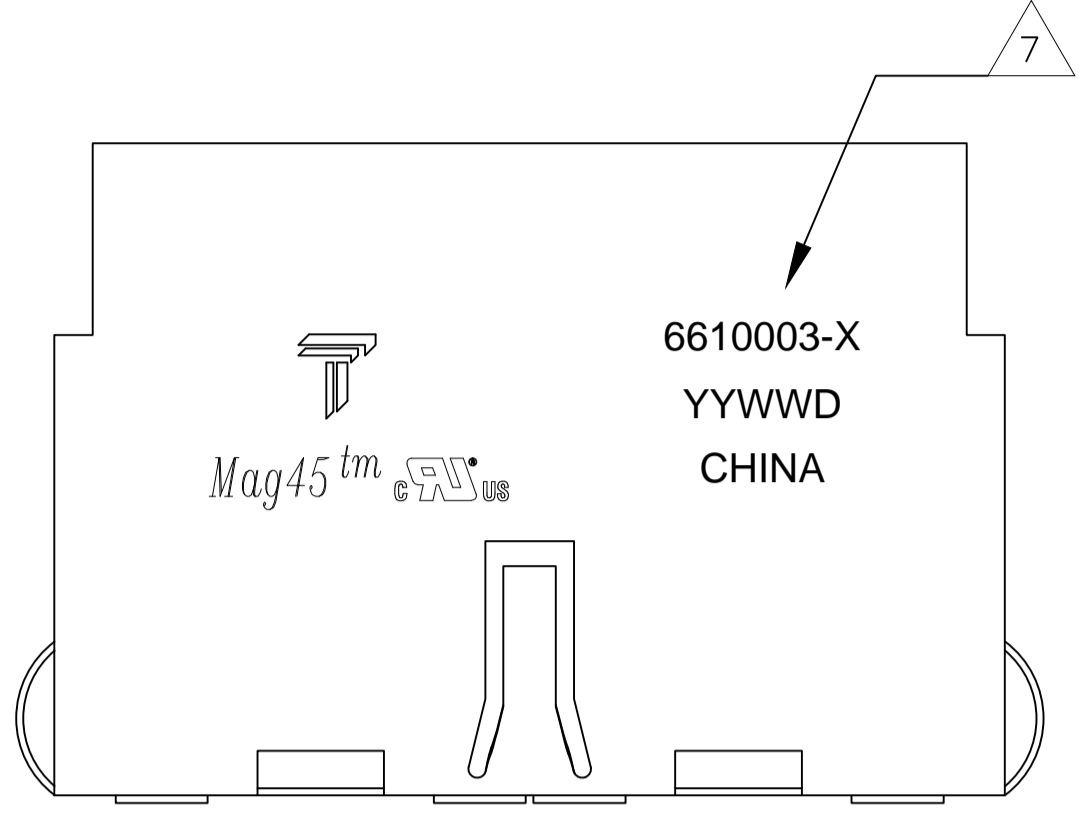


REVISIONS					
P	LTR	DESCRIPTION	DATE	DWN	APVD
E		LOGO CHANGE	07APR2013	QL	KZ

MECHANICAL:



- 1 MATERIALS:
 -HOUSING - THERMOPLASTIC PET POLYESTER FLAMMABILITY RATING UL 94V-0.
 -SHIELD - .010" THICK, C26800 BRASS PREPLATED WITH 30μINCH MIN SEMI-BRIGHT NICKEL.
 SOLDER TABS POST DIPPED WITH 100μINCH MIN SAC SOLDER.
 -MOD JACK CONTACTS - 0.0157 X 0.018" PHOSPHOR BRONZE, 50μINCH MIN OVERALL NICKEL UNDERPLATE WITH SELECT 50μINCH MIN HARD GOLD FINISH PLATE. SOLDER TAILS WITH 100μINCH MIN MATTE TIN AND/OR SAC SOLDER DIP.
 -LIGHT EMITTING DIODE(LED) - DIFFUSED EPOXY LENS, .020" X .020" CARBON STEEL WIREFRAME LEADS PRE-PLATED WITH 80μINCH SILVER OVER 40μINCH NICKEL UNDERPLATE OVER 40μINCH COPPER UNDERPLATE. POST-PLATED WITH 100μIN MIN MATTE TIN AND/OR SAC SOLDER DIP OR PURE TIN SOLDER DIP.
- 2 RJ45 JACK CAVITY CONFORMS TO FCC RULES AND REGULATIONS PART 68, SUB PART F.
- 3 MAGNETICS
 -IMPEDANCE: 100 OHMS
 -TURNS RATIO (CHIP:CABLE): 1:1 ALL FOUR PAIRS
 -OPEN CIRCUIT INDUCTANCE (OCL): 350μH MIN @100kHz, 0.1VRMS, 8mADC BIAS FROM 0°C TO 70°C, ALL FOUR PAIRS
 -ALL FOUR PAIRS BI-DIRECTIONAL
 -PERFORMANCE @ 25°C:
 INSERTION LOSS (IL): 1.1dB MAX FROM 0.5MHz TO 100MHz
 RETURN LOSS (RL): 18dB MIN FROM 0.5MHz TO 4.0MHz
 12-20LOG(f/80)dB MIN FROM 4.0.1MHz TO 100MHz
 CROSSTALK ATTENUATION: 35dB MIN FROM 0.5MHz TO 4.0MHz
 33-20xLOG(f/50)dB MIN FROM 4.0.1MHz TO 100MHz
 COMMON MODE REJECTION RATIO (CMRR): 30dB MIN FROM 0.5MHz TO 100MHz
 -ISOLATION VOLTAGE: 2250VDC (MAX) FOR 60 SECONDS WITH A RISE TIME OF 500V/SEC AND WITH ALL PORTS CONNECTED.
- 4. OPERATING TEMPERATURE: FROM 0° TO +70°C
- 5 INDICATED MAGNETIC CONNECTIONS ARE SYMMETRICAL TO ACCOMODATE AUTO-MDI/MDIX.
- 6 THE 250 OHM LED RESISTORS ARE OPTIONAL, PLEASE SEE CHART FOR PRESENCE OR ABSENCE OF LED RESISTORS. IF THE LED WITHOUT 250 OHM RESISTORS, LED IS DRIVEN WITH CONSTANT CURRENT AT APPROX 20mA.
 LED COLOR: DOMINANT WAVELENGTH (λD): GREEN 568 nm TYP. at IF=20mA
 FORWARD VOLTAGE (VF): GREEN 2.2V TYP. at IF=20mA
 DOMINANT WAVELENGTH (λD): YELLOW 588 nm TYP. at IF=20mA
 FORWARD VOLTAGE (VF): YELLOW 2.1V TYP. at IF=20mA.
 IF THE LED WITH 250 OHM RESISTORS,LED IS DRIVEN WITH 5V VOLTAGE AND THE MAX OPERATING CURRENT IS 20mA.
 LED COLOR : DOMINANT WAVELENGTH (λD): GREEN 568 nm TYP. At VF=5V
 FORWARD CURRENT (IF): GREEN 12 mA TYP. at VF=5V
 DOMINANT WAVELENGTH (λD): YELLOW 588 nm TYP. At VF=5V
 FORWARD CURRENT (IF): YELLOW 13 mA TYP. at VF=5V
- 7 TRP CONNECTOR LOGO, PART NUMBER, DATE CODE, COUNTRY OF ORIGIN AND AGENCY APPROVAL MARKING IN APPROXIMATE LOCATION SHOWN.
- 8. THESE PARTS ARE RECOMMENDED FOR WAVE SOLDERING PROCESS, PREHEAT TEMPERATURE IS 120°C TO 160°C, 120 SECONDS TO 180 SECONDS,PEAK WAVE SOLDERING TEMPERATURE IS 260°C MAX,10 SECONDS MAX.
- 9 OBSOLETE PARTS: OBSOLETE CIS STREAMLINING PER D.RENAUD/D.SINISI

YES	GREEN	YES	GREEN	YES	6-6610003-1
YES	GREEN	NO	YELLOW	NO	5-6610003-8
YES	YELLOW	YES	GREEN	YES	5-6610003-2
YES	GREEN	YES	YELLOW	YES	5-6610003-4
DECOUPLING CAPACITOR	LED1	250 OHMS RESISTOR	LED2	250 OHMS RESISTOR	PART NUMBER

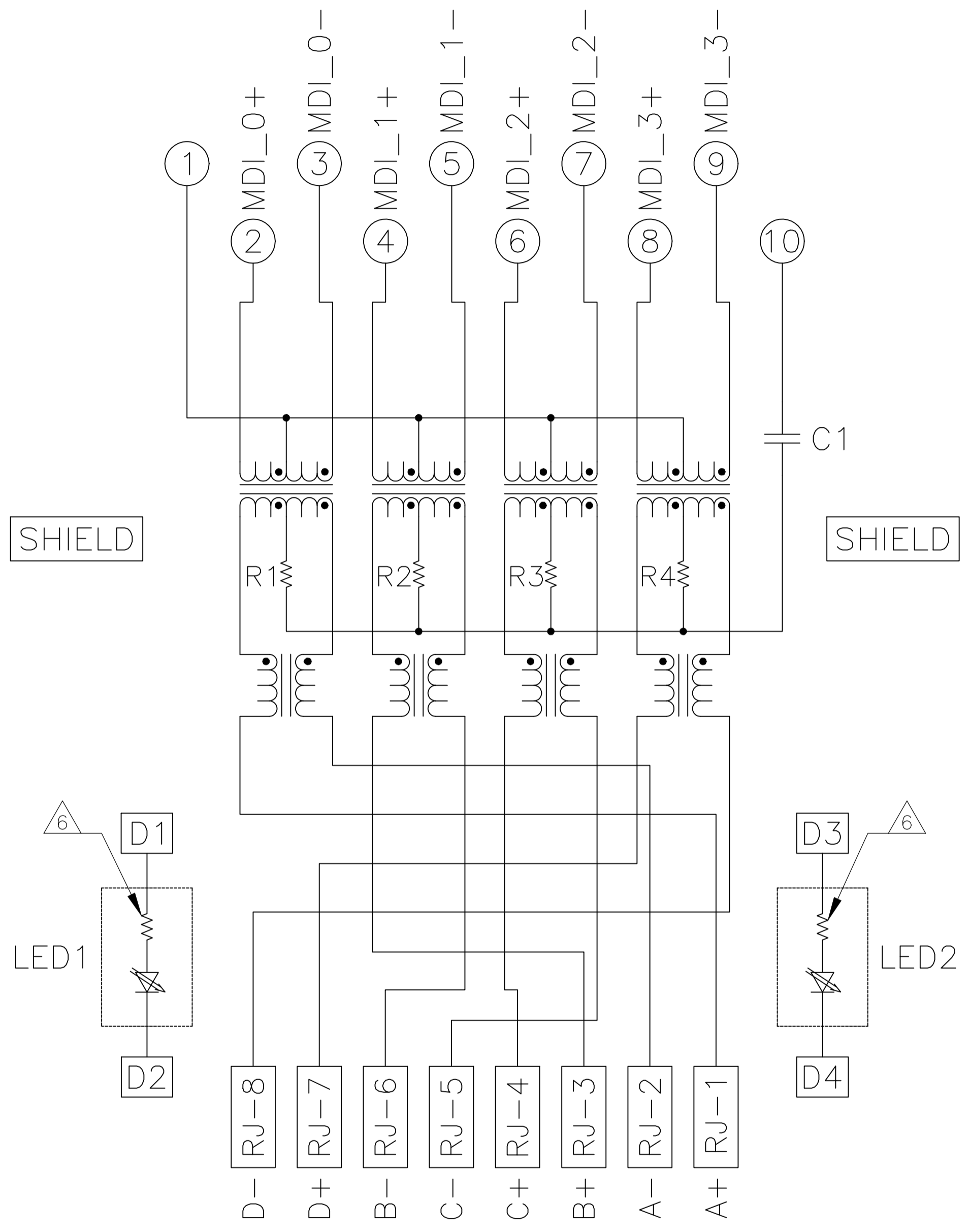
THIS DRAWING IS A CONTROLLED DOCUMENT.

DWN	L. VARELA	15MAR2005	TRP connector
CHK	D. FAROLE	15MAR2005	Dongguan China
APVD	D. FAROLE	15MAR2005	

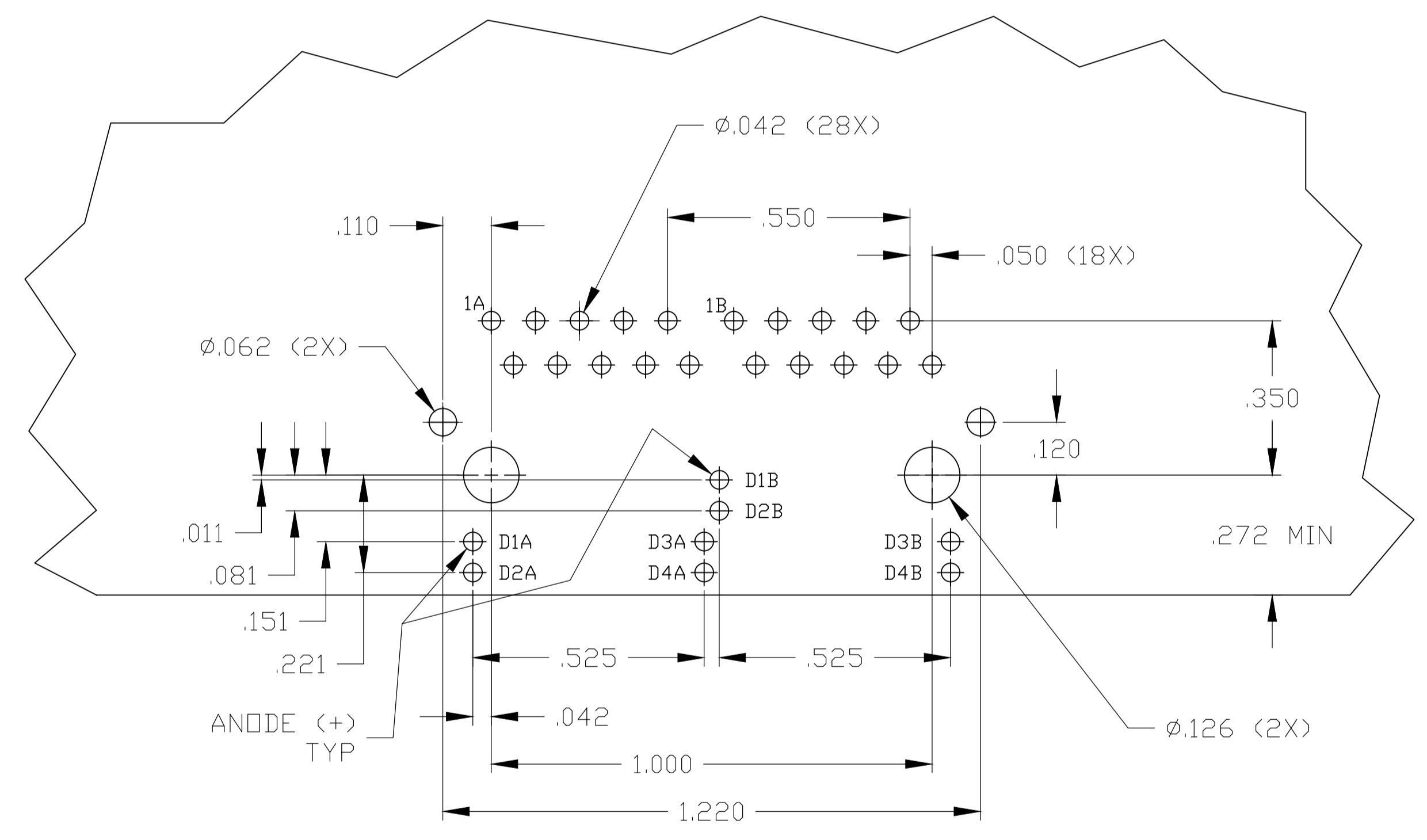
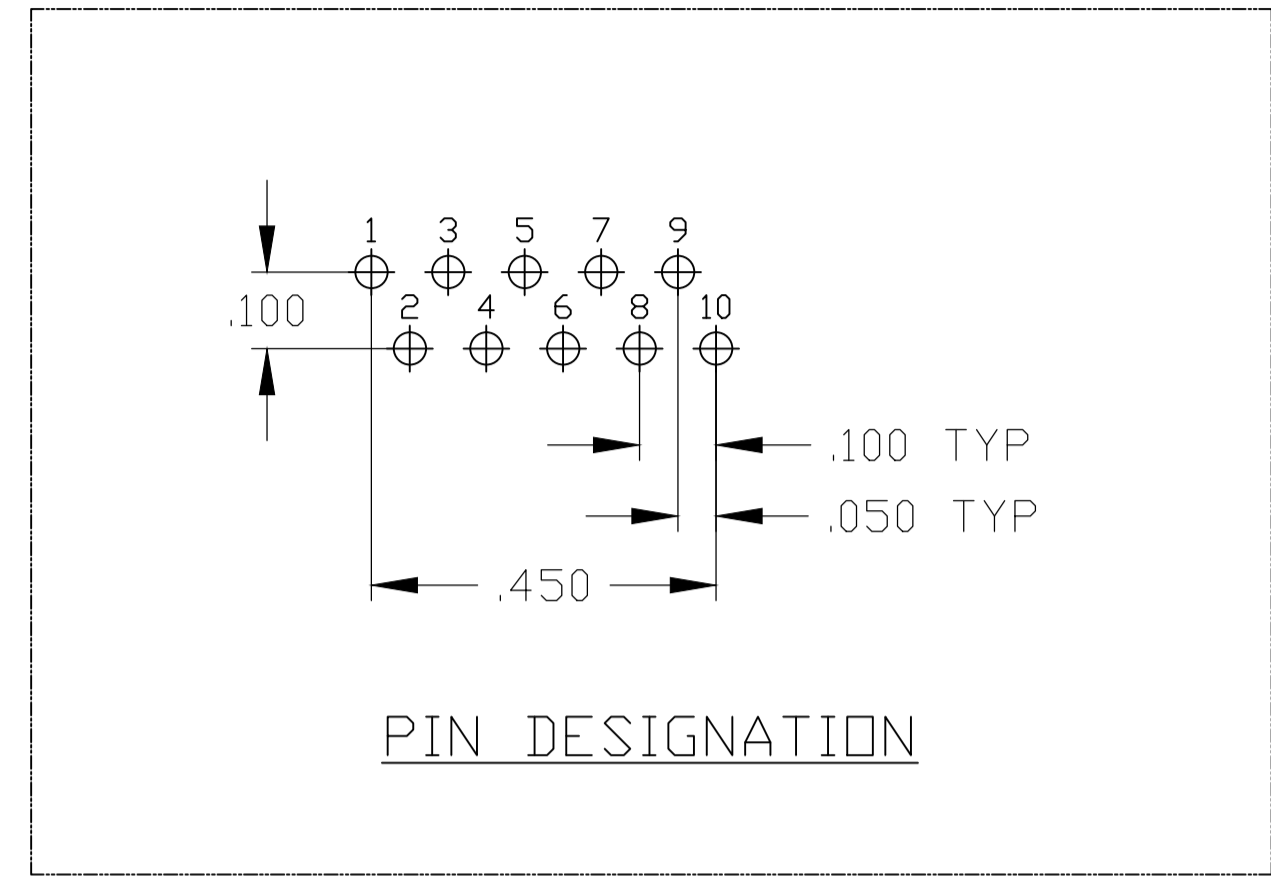
DIMENSIONS: INCHES	TOLERANCES UNLESS OTHERWISE SPECIFIED:	PRODUCT SPEC	NAME
0 PLC ± -	1 PLC ± -	108-2100	1X2 MAG45(TM) MODULAR JACK, 7G1P1 SCHEMATIC, 7G01P1 GIGABIT CIRCUIT (10 PIN HORIZONTAL), SHIELDED, WITH LEDS
2 PLC ± .010	3 PLC ± .005	APPLICATION SPEC	SIZE
4 PLC ± -	ANGLES ± -	WEIGHT	CAGE CODE DRAWING NO
MATERIAL	FINISH	CUSTOMER DRAWING	RESTRICTED TO

SCALE 4:1 SHEET 1 OF 2 REV E

7G01P1 GIGABIT MAGNETIC CIRCUIT $\frac{3}{5}$



C1 = 1000pF, 2kV CAPACITOR
R1-R4 = 75 OHMS, 1/16 W RESISTORS



SUGGESTED PCB LAYOUT
(Component Side)

THIS DRAWING IS A CONTROLLED DOCUMENT.		DWN L. VARELA - DOCKS 15MAR2005	TRP connector Dongguan China													
DIMENSIONS: INCHES		CHK D. FAROLE 15MAR2005	APPRO D. FAROLE 15MAR2005													
TOLERANCES UNLESS OTHERWISE SPECIFIED:		PRODUCT SPEC 108-2100	NAME 1X2 MAG45(TM) MODULAR JACK, 7G01P1 SCHEMATIC, 7G01P1 GIGABIT CIRCUIT (10 PIN HORIZONTAL), SHIELDED, WITH LEDS													
<table border="1"> <tr><td>0 PLC</td><td>± -</td></tr> <tr><td>1 PLC</td><td>± -</td></tr> <tr><td>2 PLC</td><td>± .010</td></tr> <tr><td>3 PLC</td><td>± .005</td></tr> <tr><td>4 PLC</td><td>± -</td></tr> <tr><td>ANGLES</td><td>± -</td></tr> </table>		0 PLC	± -	1 PLC	± -	2 PLC	± .010	3 PLC	± .005	4 PLC	± -	ANGLES	± -	APPLICATION SPEC	SIZE A1	RESTRICTED TO
0 PLC	± -															
1 PLC	± -															
2 PLC	± .010															
3 PLC	± .005															
4 PLC	± -															
ANGLES	± -															
MATERIAL -		FINISH -	WEIGHT -	CAGE CODE 00779												
		DRAWING NO C=6610003		REV E												
		CUSTOMER DRAWING		SCALE 4:1 SHEET 2 OF 2												