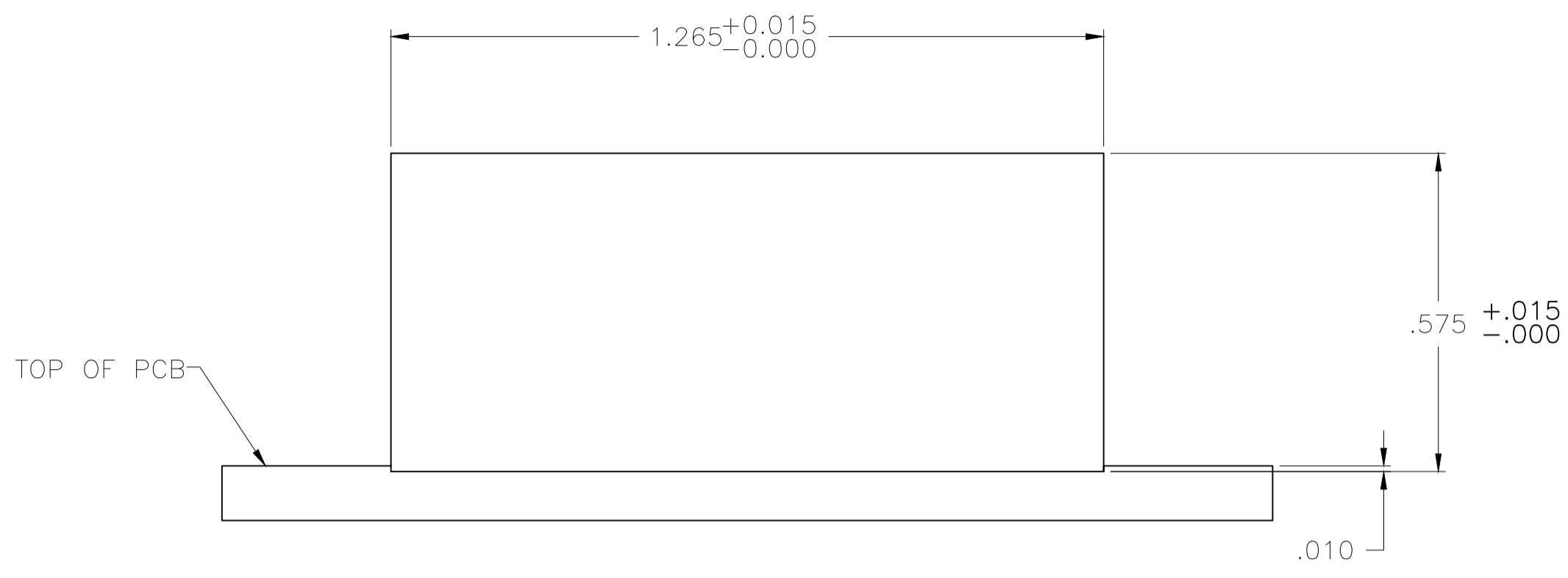
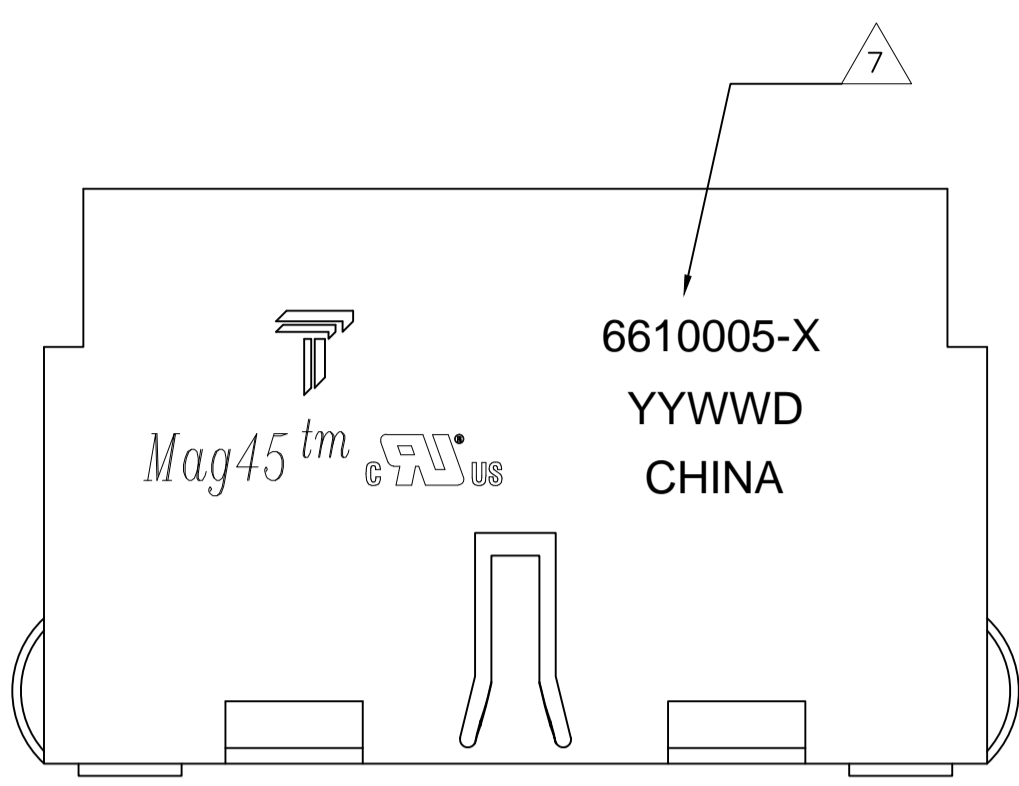
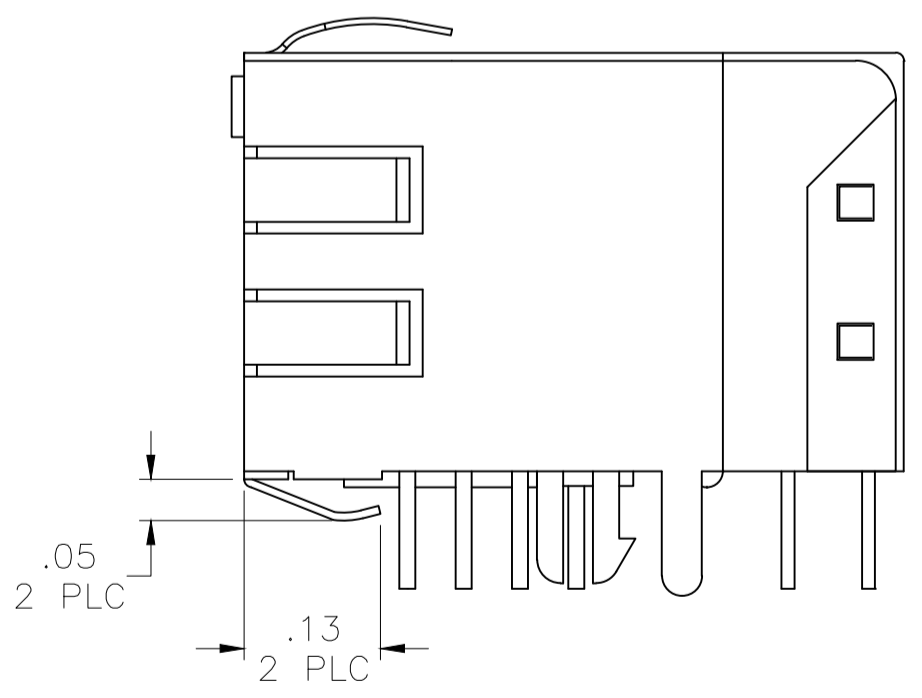
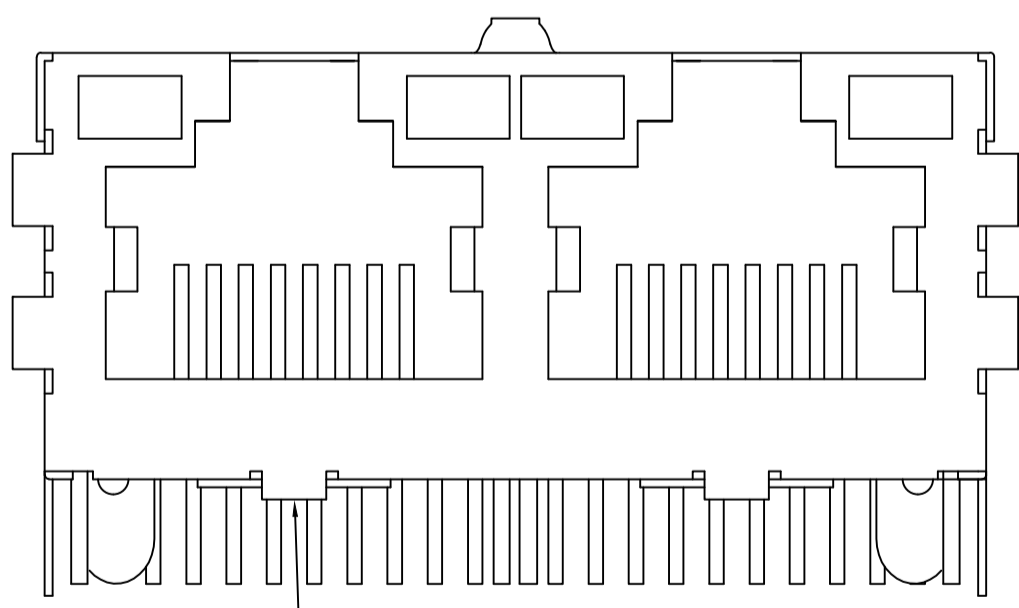
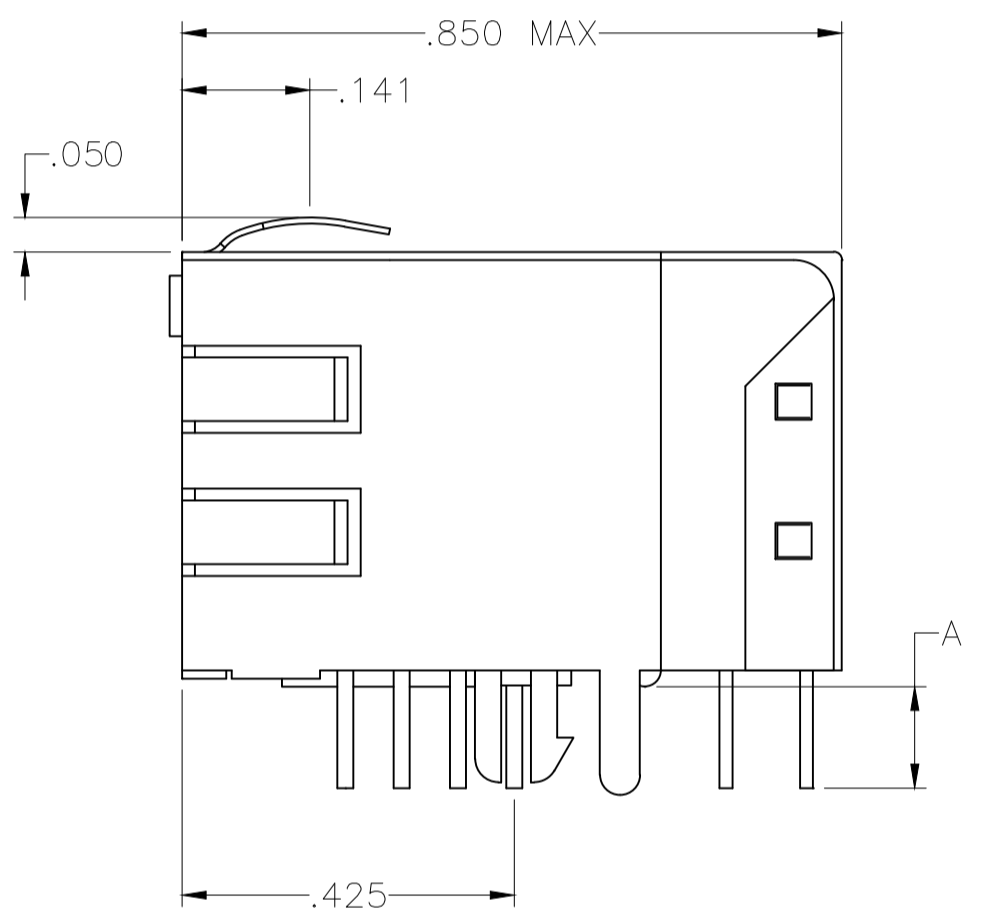
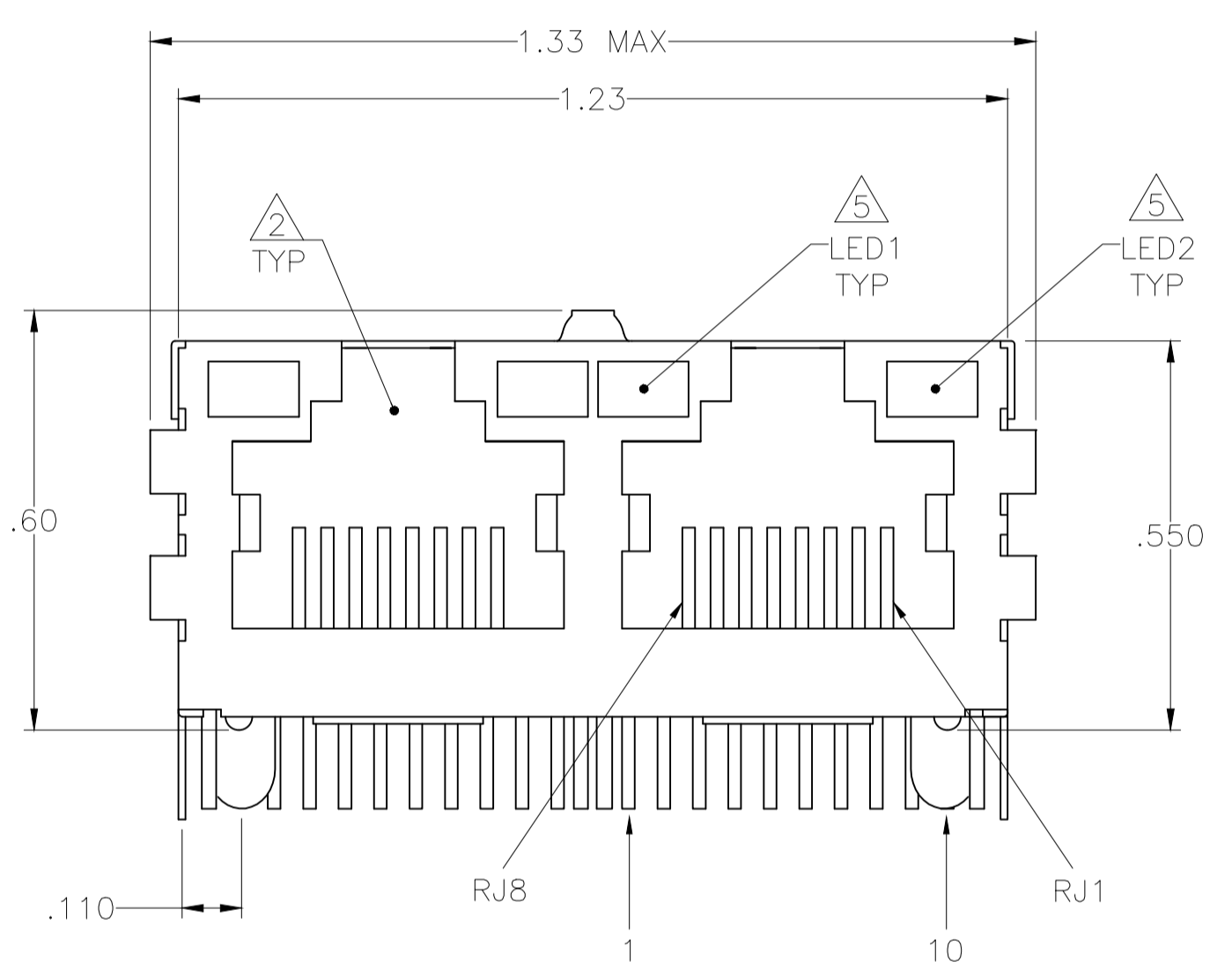


REVISIONS				
#	LTR	DESCRIPTION	DATE	OWN APD
N		LOGO CHANGE	07APR2013	QL KZ

MECHANICAL:



1X2 SUGGESTED PANEL CUTOUT



BOTTOM TABS 2 PLC FOR 5-6610005-6, 2-6610005-2 & 6610005-1

**MATERIALS:**  
 HOUSING - THERMOPLASTIC PET POLYESTER FLAMMABILITY RATING UL 94V-0.  
 ONLY FOR 3-6610005-5: HIGH TEMPERATURE NYLON, BLACK, UL 94V-0.  
 SHIELD - .010" THICK, C26800 BRASS PREPLATED WITH 30µ inch MIN SEMI-BRIGHT NICKEL; SOLDER TAB POSTS DIPPED WITH 100µ inch MIN SAC SOLDER.  
 MOD JACK CONTACTS - .0157" x .018", PHOSPHOR BRONZE, 50µ inch MIN OVERALL NICKEL UNDERPLATE, WITH SELECT 50µ inch MIN HARD GOLD FINISH PLATE. SOLDER TAILS WITH 100µ inch MIN MATTE TIN AND/OR SAC SOLDER DIP.  
 LIGHT EMITTING DIODE(LED) - DIFFUSED EPOXY LENS, .020" x .020" CARBON STEEL WIREFRAME LEADS PREPLATED WITH 80µ inch SILVER OVER 4.0µ inch NICKEL UNDERPLATE OVER 4.0µ inch COPPER UNDERPLATE; POST-PLATED WITH 100µ inch MIN MATTE TIN AND/OR SAC SOLDER DIP OR PURE TIN SOLDER DIP.

**RJ45 JACK CAVITY CONFORMS TO FCC RULES AND REGULATIONS PART 68, SUB PART F.**

**MAGNETICS:**  
 -APPLICATION: 10/100/1000 BASE-T  
 -IMPEDANCE: 100 OHMS  
 -TURNS RATIO (CHIP: CABLE): 1:1 ALL FOUR PAIRS  
 -OPEN CIRCUIT INDUCTANCE (OCL): 350µH MIN @100kHz, 0.1VRMS, 8mADC BIAS FROM 0°C TO 70°C, ALL FOUR PAIRS  
 -ALL FOUR PAIRS BI-DIRECTIONAL  
 -PERFORMANCE @ 25°C:  
 INSERTION LOSS (IL): 1.1dB MAX FROM 0.5MHz TO 100MHz  
 RETURN LOSS (RL): 18dB MIN FROM 0.5MHz TO 4.0MHz  
 12-20LOG(f/80)dB MIN FROM 4.01MHz TO 100MHz  
 CROSSTALK ATTENUATION: 35dB MIN FROM 0.5MHz TO 4.0MHz  
 33-20LOG(f/50)dB MIN FROM 4.01MHz TO 100MHz  
 COMMON MODE REJECTION RATIO(CMRR): 30dBMIN FROM 0.5MHz TO 100MHz  
 -ISOLATION VOLTAGE: THE CONNECTOR SHALL PROVIDE DC ISOLATION USING 2250VDC (MAX) FOR 60 SECONDS WITH A RISE TIME OF 500 V/SEC AND WITH ALL PORTS CONNECTED.

**ALL DIMENSIONS NOMINAL UNLESS OTHERWISE NOTED.**

**THE 250 OHM RESISTOR IS OPTIONAL, PLEASE SEE CHART FOR PRESENCE OR ABSENCE OF LED RESISTORS.**  
 IF LEADS WITHOUT 250 OHM RESISTOR, LEADS ARE DRIVEN WITH CONSTANT CURRENT AT APPROX 20 mA  
 LED COLOR: DOMINANT WAVELENGTH (λ D): GREEN 568 nm TYP @ IF=20 mA  
 FORWARD VOLTAGE (VF): GREEN 2.2V TYP @ IF=20 mA  
 DOMINANT WAVELENGTH (λ D): YELLOW 588 nm TYP @ IF=20 mA  
 FORWARD VOLTAGE (VF): YELLOW 2.1V TYP @ IF=20 mA  
 IF LEADS WITH BUILT-IN RESISTOR, LEADS ARE DRIVEN WITH 5V VOLTAGE AND THE MAX OPERATING CURRENT IS 20mA  
 LED COLOR: DOMINANT WAVELENGTH (λ D): GREEN 568 nm TYP @ VF=5V  
 FORWARD CURRENT (IF): GREEN 12mA TYP @ VF=5V  
 DOMINANT WAVELENGTH (λ D): YELLOW 588 nm TYP @ VF=5V  
 FORWARD CURRENT (IF): YELLOW 13mA TYP @ VF=5V

**INDICATED MAGNETIC CONNECTIONS ARE SYMMETRICAL TO ACCOMMODATE CONNECTIONS FOR EITHER NIC OR HUB CONFIGURATION, OR SUPPORT AUTO-MDI/MDIX.**

**TRP CONNECTOR LOGO, PART NUMBER, DATE CODE, COUNTRY OF ORIGIN AND AGENCY APPROVAL MARKING IN APPROXIMATE LOCATION SHOWN.**

8. THESE PARTS ARE RECOMMENDED FOR WAVE SOLDERING PROCESS, PREHEAT TEMPERATURE IS 120°C TO 160°C, 120 SECONDS TO 180 SECONDS, PEAK WAVE SOLDERING TEMPERATURE IS 260°C MAX (275°C MAX ONLY FOR 3-6610005-5), 10 SECONDS MAX.

9. OPERATING TEMPERATURE: FROM 0°C TO +70°C.

DIM A	BOTTOM TABS	LED1	LED2	250 OHM RESISTORS	PART NUMBER	
.081±.010	NO	GREEN/YELLOW	NO	GREEN/YELLOW	NO	6-6610005-6
.145±.010	YES	GREEN/YELLOW	NO	GREEN/YELLOW	NO	5-6610005-6
.100±.010	NO	GREEN/YELLOW	NO	GREEN	NO	3-6610005-5
.125±.010	NO	GREEN/YELLOW	NO	GREEN	NO	2-6610005-5
.125±.010	NO	GREEN/YELLOW	NO	GREEN	YES	2-6610005-4
.145±.010	YES	YELLOW	YES	GREEN	YES	2-6610005-2
.145±.010	NO	GREEN	YES	GREEN/YELLOW	NO	1-6610005-5
.145±.010	NO	GREEN	YES	GREEN	YES	1-6610005-1
.145±.010	NO	GREEN/YELLOW	NO	GREEN/YELLOW	NO	6610005-6
.145±.010	NO	GREEN/YELLOW	NO	GREEN	YES	6610005-4
.145±.010	NO	YELLOW	YES	GREEN	YES	6610005-2
.145±.010	YES	GREEN	YES	YELLOW	YES	6610005-1

THIS DRAWING IS A CONTROLLED DOCUMENT.



DIMENSIONS: INCHES TOLERANCES UNLESS OTHERWISE SPECIFIED:  
 0 PLC ± .010  
 1 PLC ± .005  
 2 PLC ± .005  
 3 PLC ± .005  
 4 PLC ± .005  
 ANGLES FINISH

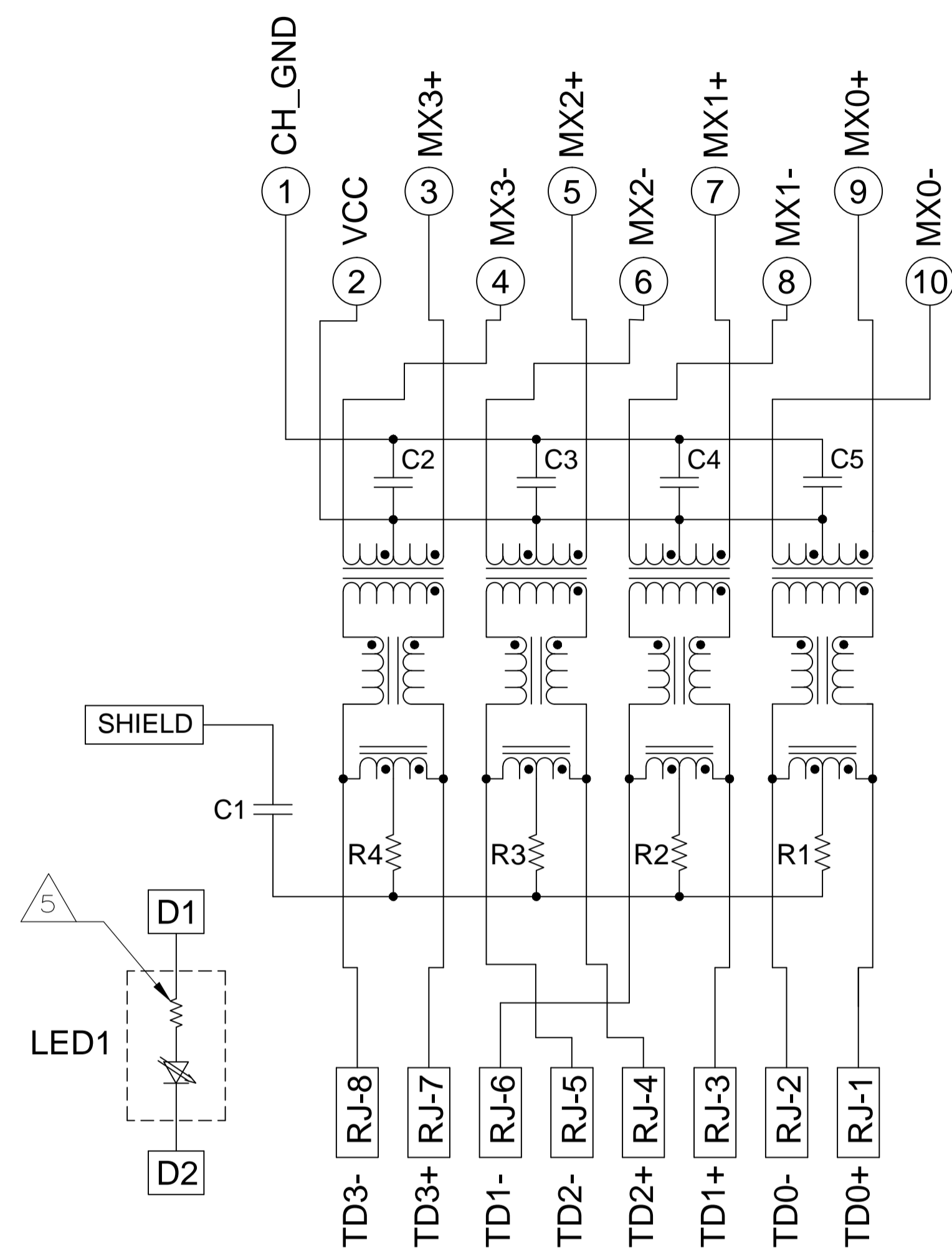
DRAWN: R.GRZYBOWSKI 13JAN05  
 CHK: D.FAROLE 13JAN05  
 APD: D.FAROLE 13JAN05

PRODUCT SPEC: 108-2100  
 APPLICATION SPEC: -  
 MATERIAL: -  
 WEIGHT: -  
 CUSTOMER DRAWING

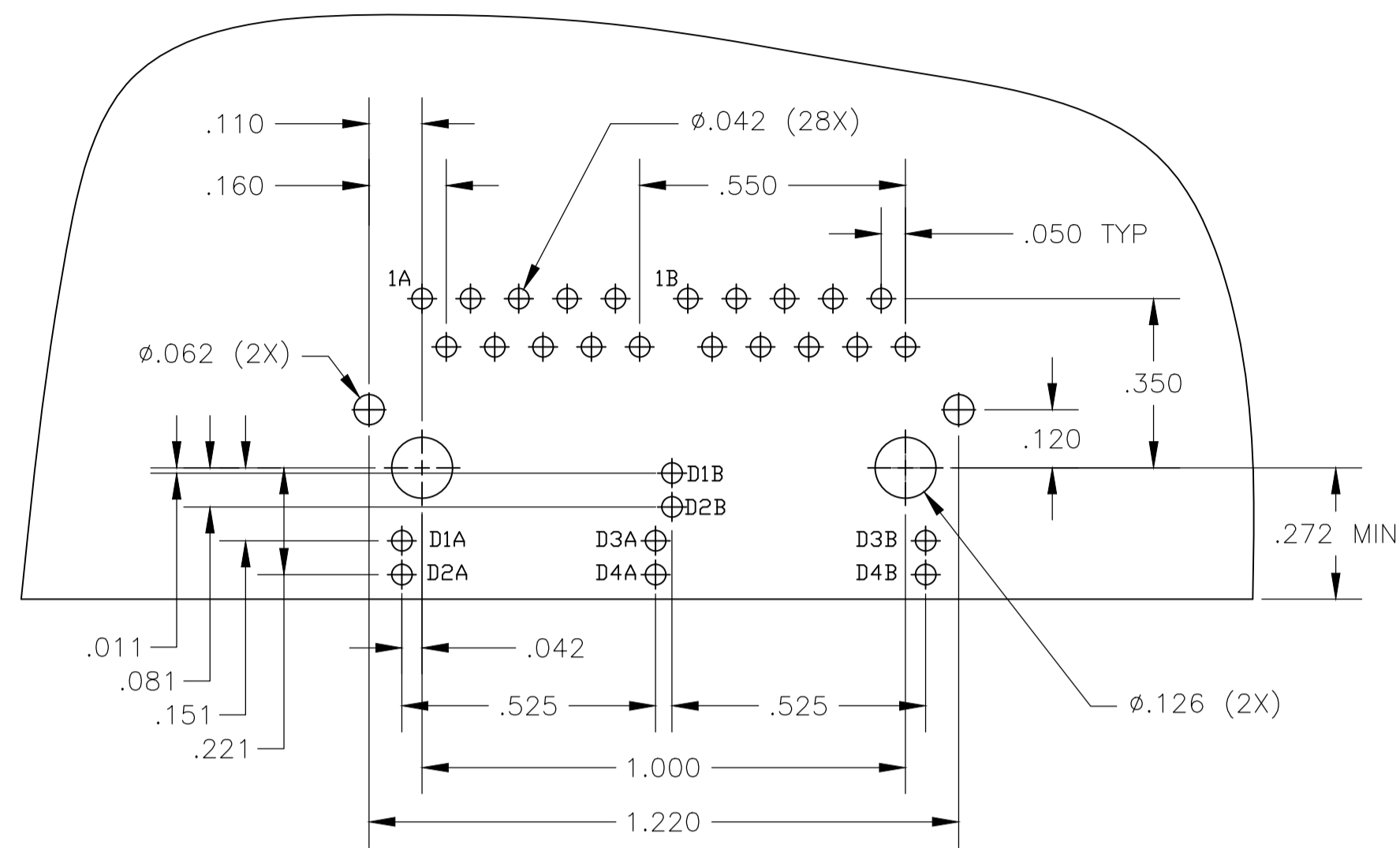
TRP connector  
 Dongguan China

NAME: 1X2 MAG45(TM) MODULAR JACK, 7G4 SCHEMATIC (10 PIN HORIZONTAL), 05 SERIES GIGABIT CIRCUIT, SHIELDED, WITH LEADS  
 SIZE: A1  
 CAGE CODE: 00779  
 DRAWING NO: 6610005  
 SCALE: 4:1  
 SHEET: 1 OF 2  
 REV: N

7G05 GIGABIT SCHEMATIC  

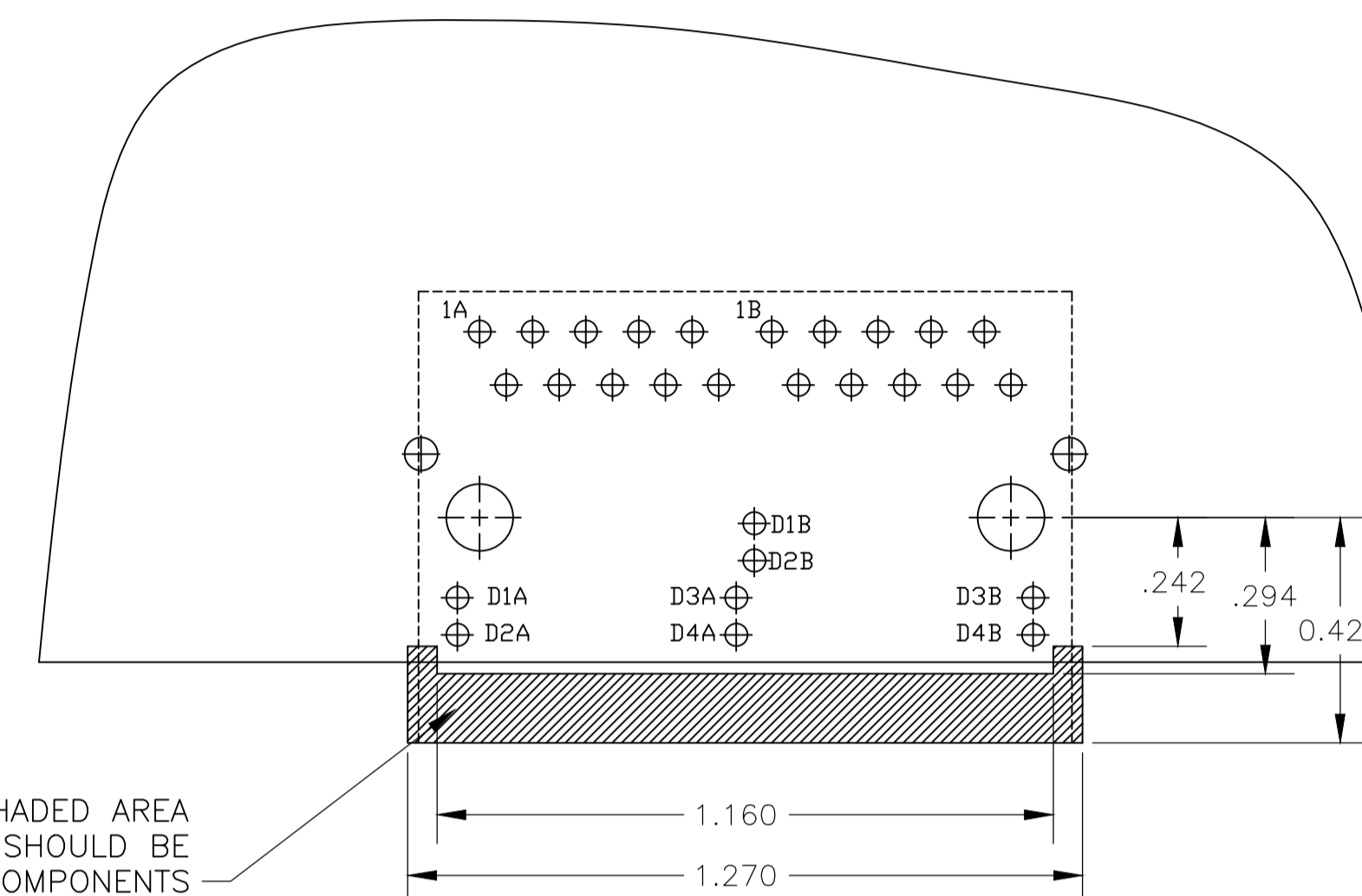


C1 = 1000 pF, 2kV DECOUPLING CAPACITOR  
 R1-R4 = 75 OHMS, 1/16 W, 5% RESISTORS  
 C2-C5 = 0.1uF, 10%, 50V, X7R CAPACITORS

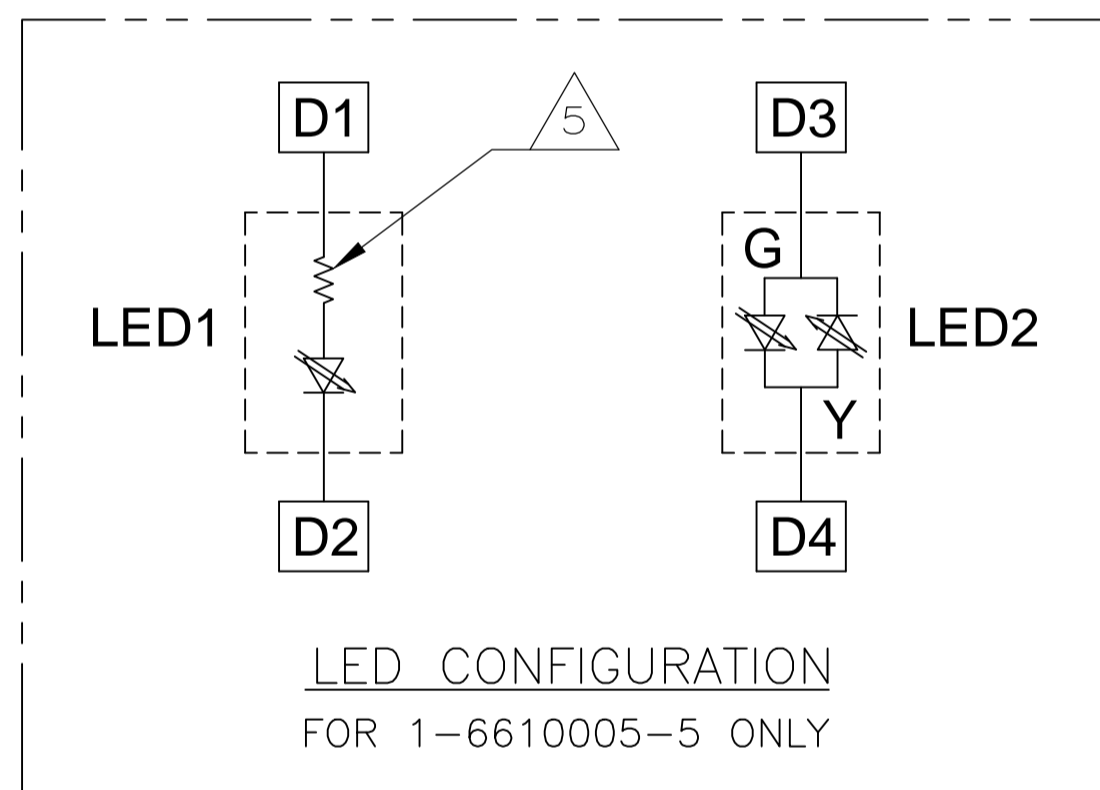


SUGGESTED PCB LAYOUT  
 (Component Side)

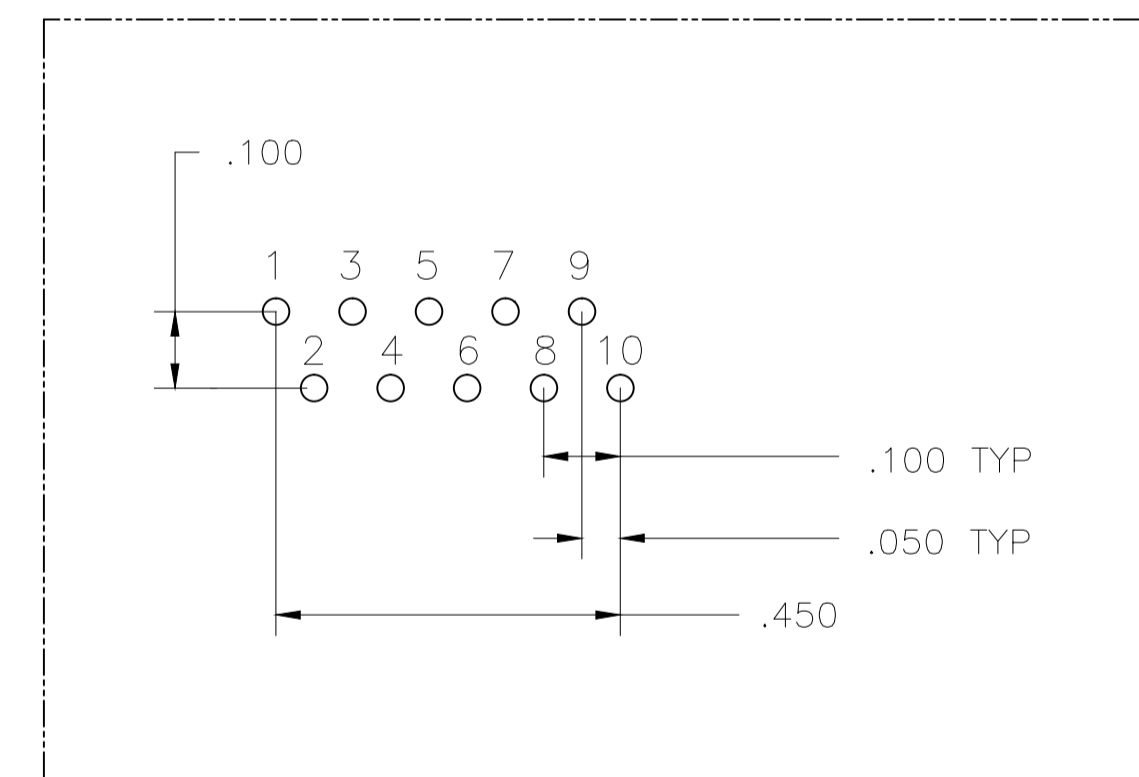
IT IS RECOMMENDED THAT SHADED AREA OF CUSTOMER PC BOARD SHOULD BE CLEAR OF ANY VIA HOLES AND COMPONENTS



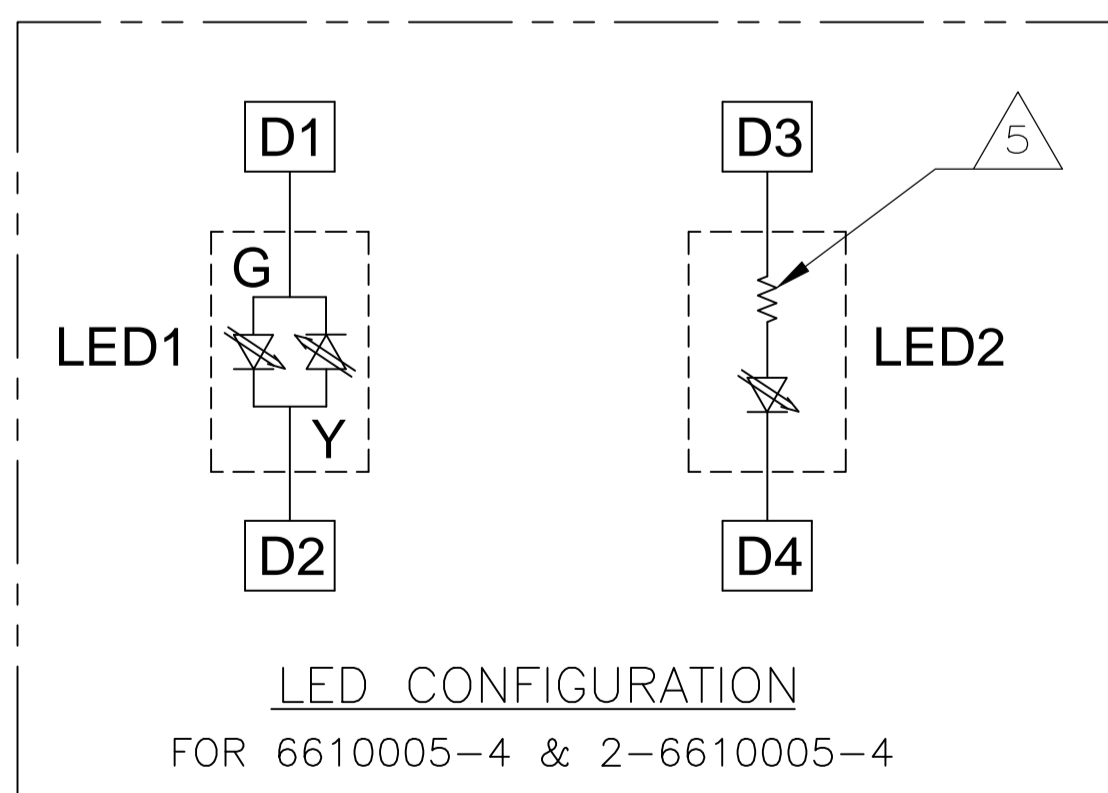
SUGGESTED PCB KEEP OUT AREA  
 (Component Side)



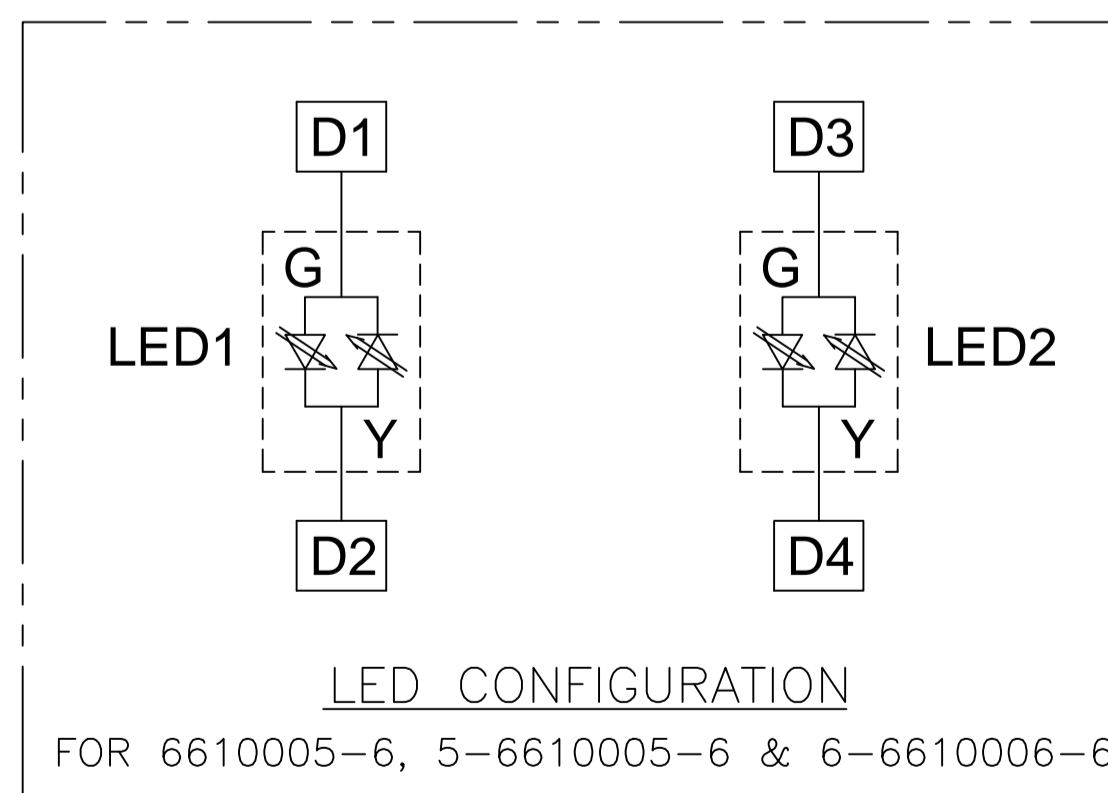
LED CONFIGURATION  
 FOR 1-6610005-5 ONLY



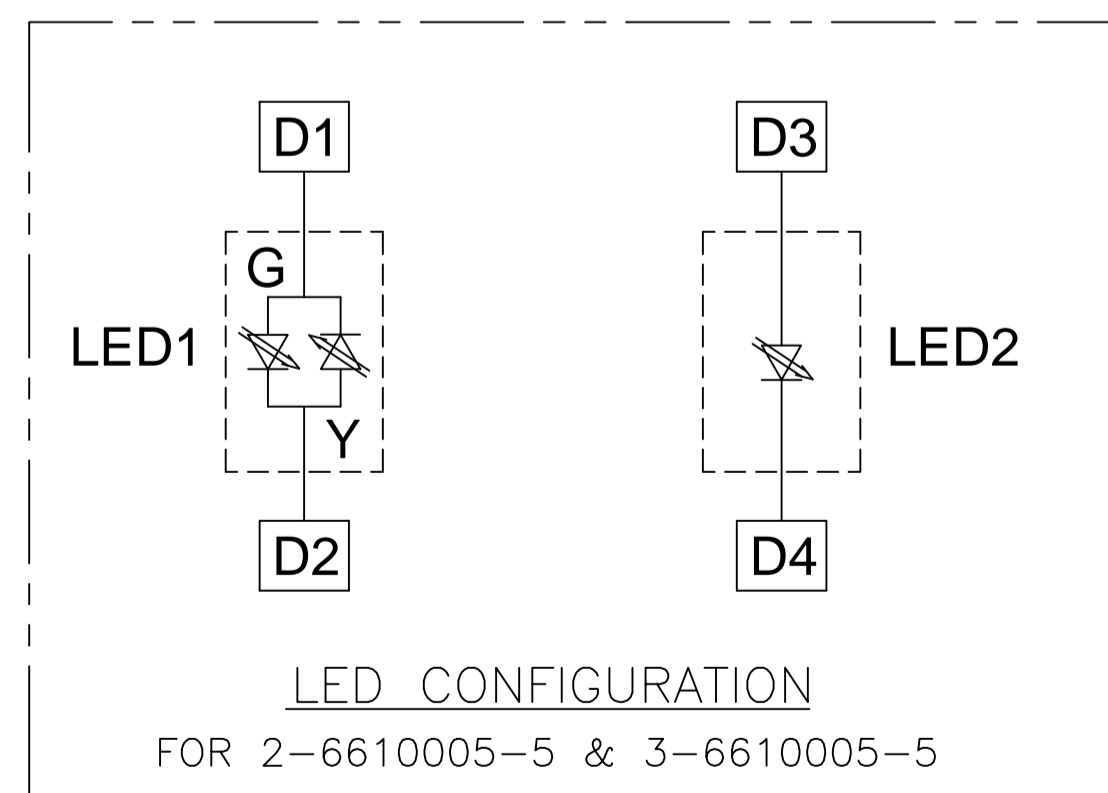
PIN DESIGNATIONS  
 (APPLIES TO ALL PORTS)




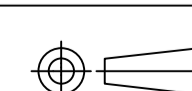
LED CONFIGURATION  
 FOR 6610005-4 & 2-6610005-4



LED CONFIGURATION  
 FOR 6610005-6, 5-6610005-6 & 6-6610006-6



LED CONFIGURATION  
 FOR 2-6610005-5 & 3-6610005-5

THIS DRAWING IS A CONTROLLED DOCUMENT.		OWN: R.GRZYBOWSKI 13JAN05	 TRP connector Dongguan China
		CHK: D.FAROLE 13JAN05	
DIMENSIONS: INCHES		TOLERANCES UNLESS OTHERWISE SPECIFIED:	APPROVED: D.FAROLE 13JAN05
		0 PLC ± - 1 PLC ± .010 2 PLC ± .010 3 PLC ± .005 4 PLC ± - ANGLES ± - FINISH -	PRODUCT SPEC: 108-2100 APPLICATION SPEC: - WEIGHT: - CUSTOMER DRAWING
MATERIAL: -		FINISH: -	NAME: X2 MAG45(TM) MODULAR JACK, 7G4 SCHEMATIC (10 PIN HORIZONTAL), 05 SERIES GIGABIT CIRCUIT, SHIELDED, WITH LEDs SIZE: A1 CAGE CODE: 00779 DRAWING NO: ©=6610005 SCALE: 4:1 SHEET: 2 OF 2 REV: N