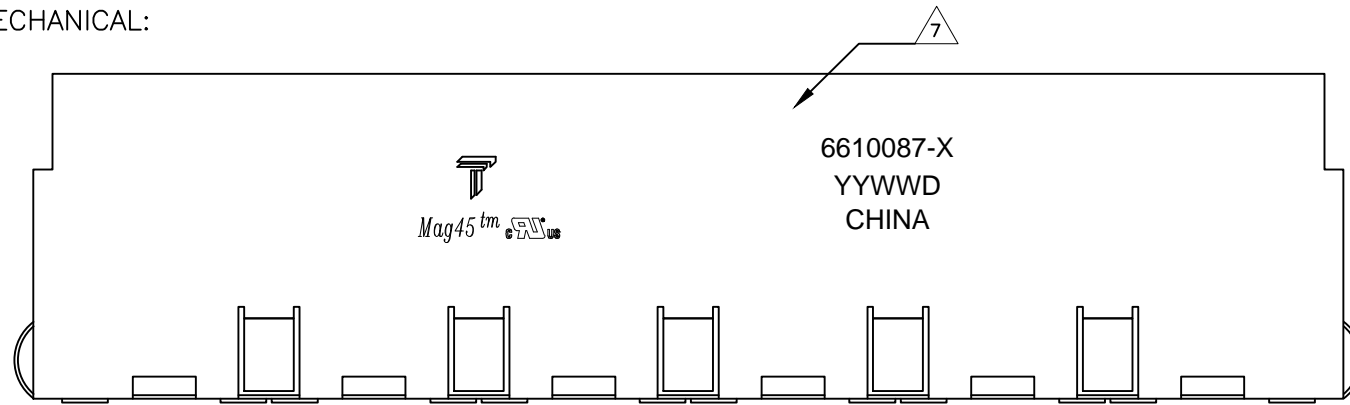
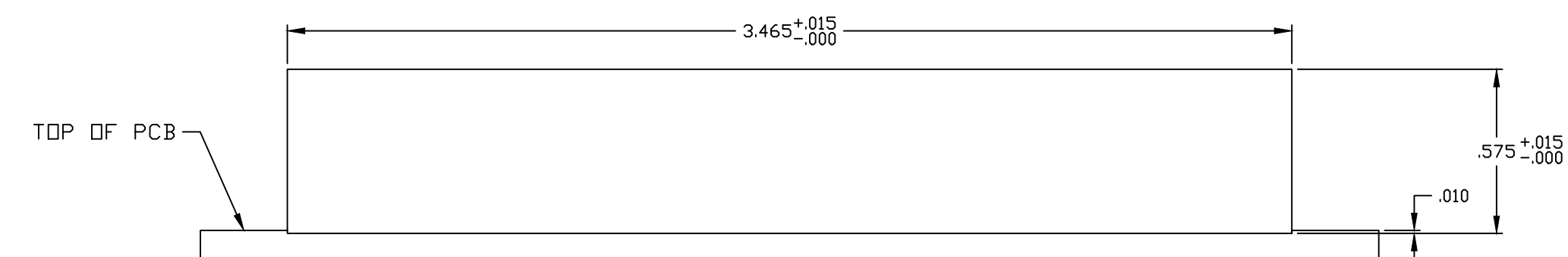
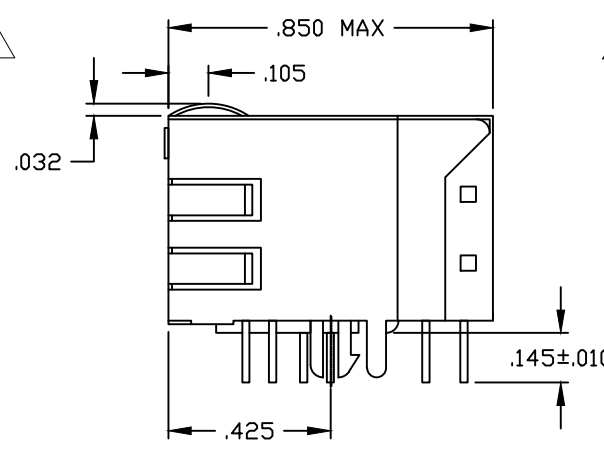
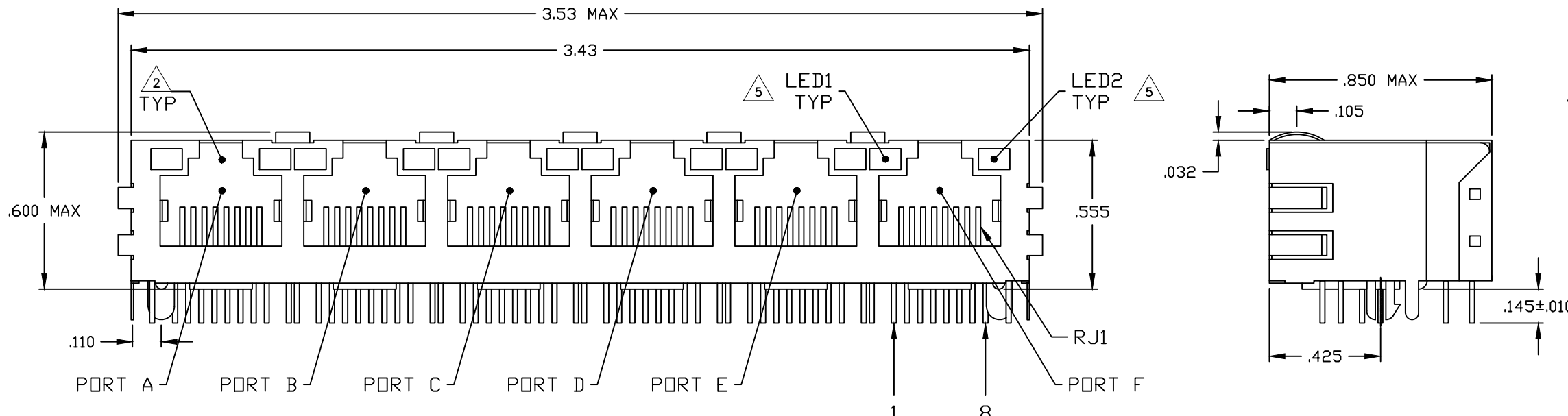


REVISIONS				
#	LNK	DESCRIPTION	DATE	BY
E		LOGO CHANGE	07APR2013	QL KZ

MECHANICAL:



- 1 MATERIALS:
-HOUSING - THERMOPLASTIC PET POLYESTER FLAMMABILITY RATING UL 94V-0.
-SHIELD - .010" THICK, C26800 BRASS PREPLATED WITH 30μINCH MIN SEMI-BRIGHT NICKEL. SOLDER TABS POST DIPPED WITH 100μINCH MIN SAC SOLDER.
-MOD JACK CONTACTS - 0.0157 X 0.018" PHOSPHOR BRONZE, 50μINCH MIN OVERALL NICKEL UNDERPLATE WITH SELECT 50μINCH MIN HARD GOLD FINISH PLATE.
-SOLDERTAILS WITH 100μINCH MIN MATTE TIN AND/OR SAC SOLDER DIP.
-LIGHT EMITTING DIODE(LED) - DIFFUSED EPOXY LENS, .020" X .020" CARBON STEEL WIREFRAME LEADS PRE-PLATED WITH 80μINCH SILVER OVER 40μINCH NICKEL UNDERPLATE OVER 40μINCH COPPER UNDERPLATE. POST-PLATED WITH 100μIN MIN MATTE TIN AND/OR SAC SOLDER DIP OR PURE TIN SOLDER DIP.
- 2 RJ45 JACK CAVITY CONFORMS TO FCC RULES AND REGULATIONS PART 68, SUB PART F.
- 3 MAGNETICS
-IMPEDANCE: 100 OHMS
-TURNS RATIO (CHIP CABLE): TX = 1:1, RX = 1:1
-OPEN CIRCUIT INDUCTANCE (OCL): 350μH MIN @100kHz, 0.1VRMS, 8mADC BIAS FROM 0°C TO 70°C, TX AND RX
-PERFORMANCE @ 25°C:
 INSERTION LOSS (IL): 1.1dB MAX FROM 0.5MHz TO 100MHz
 RETURN LOSS (RL): 18dB MIN FROM 0.5MHz TO 30MHz
 18-20LOG(f/30)dB MIN FROM 30.1MHz TO 60MHz
 12dB MIN FROM 60.1MHz TO 80MHz
 CROSSTALK ATTENUATION: 35dB MIN FROM 0.5MHz TO 4.0MHz
 33-20*LOG(f/50)dB MIN FROM 4.0.1MHz TO 100MHz
 COMMON MODE REJECTION RATIO (CMRR): 30dB MIN FROM 0.5MHz TO 100MHz
-ISOLATION VOLTAGE: 2250VDC (MAX) FOR 60 SECONDS WITH A RISE TIME OF 500V/SEC AND WITH ALL PORTS CONNECTED.
- 4. OPERATING TEMPERATURE: FROM 0°C TO +70°C.
- 5 THE 250 OHM LED RESISTORS ARE OPTIONAL, PLEASE SEE CHART FOR PRESENCE OR ABSENCE OF LED RESISTORS. IF THE LED WITHOUT 250 OHM RESISTORS, LED IS DRIVEN WITH CONSTANT CURRENT AT APPROX 20mA.
 LED COLOR: DOMINANT WAVELENGTH (λD): GREEN 568 nm TYP. @ IF=20mA
 FORWARD VOLTAGE (VF): GREEN 2.2V TYP. @ IF=20mA
IF THE LED WITH 250 OHM RESISTORS,LED IS DRIVEN WITH 5V VOLTAGE AND THE MAX OPERATING CURRENT IS 20mA.
 LED COLOR: DOMINANT WAVELENGTH (λD): GREEN 568 nm TYP. @ VF=5V
 FORWARD CURRENT (IF): GREEN 12 mA TYP. @ VF=5V
- 6 INDICATED CONNECTIONS ARE FOR HUB CONFIGURATION. THE MAGNETICS ARE SYMMETRICAL AND SUPPORT AUTO-MDI/MDIX.
- 7 TRP CONNECTOR LOGO, PART NUMBER, DATE CODE, COUNTRY OF ORIGIN AND AGENCY APPROVAL MARKING IN APPROXIMATE LOCATION SHOWN.
- 8. THESE PARTS ARE RECOMMENDED FOR WAVE SOLDERING PROCESS, PREHEAT TEMPERATURE IS 120 C TO 160 C, 120 SECONDS TO 180 SECONDS,PEAK WAVE SOLDERING TEMPERATURE IS 260°C MAX,10 SECONDS MAX.



1X6 SUGGESTED PANEL CUTOUT

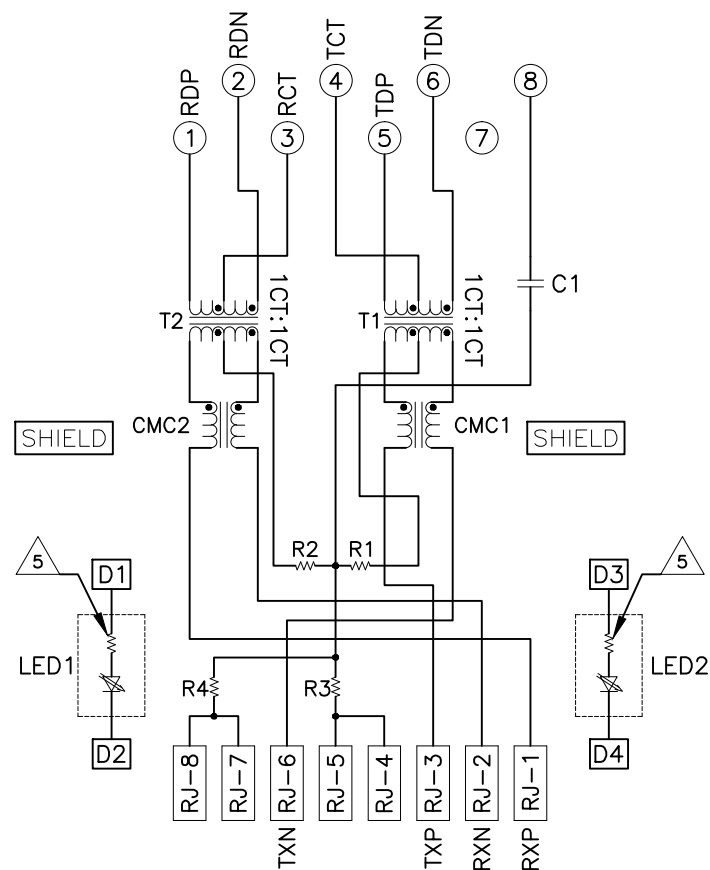
YES	GREEN	YES	GREEN	6-6610087-1
NO	GREEN	NO	GREEN	6610087-7
250 OHMS RESISTOR	LED1	250 OHMS RESISTOR	LED2	PART NUMBER

THIS DRAWING IS A CONTROLLED DOCUMENT.

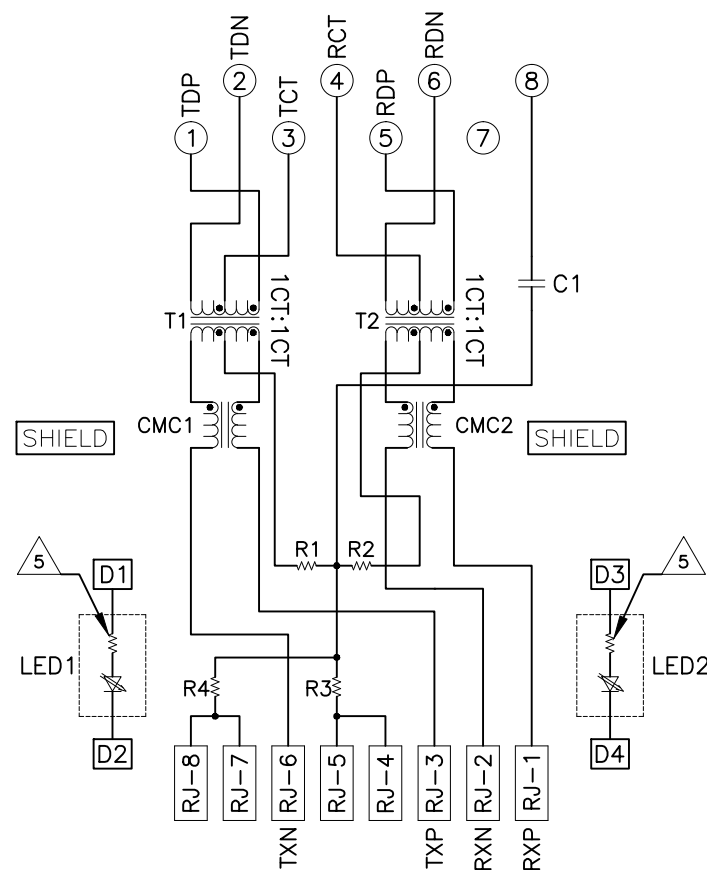
DIMENSIONS:		TOLERANCES UNLESS OTHERWISE SPECIFIED:	
INCHES			
0 PLC	± .		
1 PLC	± .		
2 PLC	± .010		
3 PLC	± .005		
4 PLC	± .		
ANGLES	± .		
MATERIAL	FINISH	WEIGHT	SCALE
			4:1

DWN L VARELA - DOCK5
 CHK D FAROLE
 APD D FAROLE
 17MAR2005
 17MAR2005
 17MAR2005
 TRP connector
 Dongguan China
 PRODUCT SPEC
 108-2100
 APPLICATION SPEC
 SIZE CASE CODE DRAWING NO
 A100779C-6610087
 RESTRICTED TO
 CUSTOMER DRAWING
 SHEET 2 OF 2
 REV E

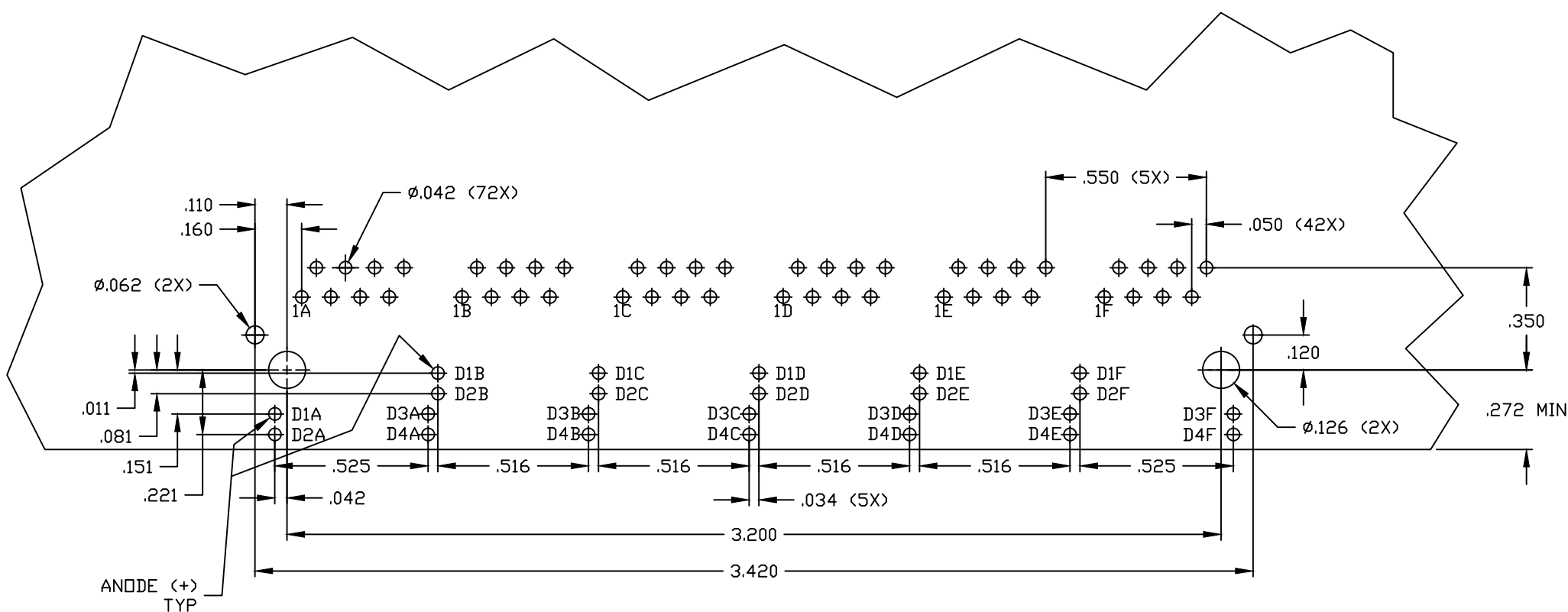
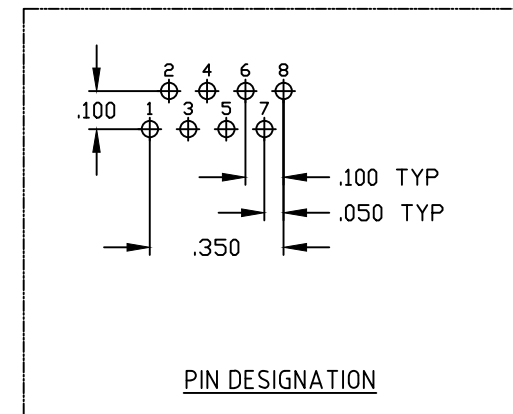
766K1 SERIES MAGNETIC CIRCUIT Δ 3 Δ 6 PORTS A,C,E



766K1 SERIES MAGNETIC CIRCUIT Δ 3 Δ 6 PORTS B,D,F



C1 = 1000pF, 3 kV CAPACITOR
R1-R4 = 75 OHMS, 1/16W RESISTORS



SUGGESTED PCB LAYOUT
(COMPONENT SIDE)

THIS DRAWING IS A CONTROLLED DOCUMENT.		DRN L. VARELA - 17MAR2005	TRP connector
DIMENSIONS: INCHES		CHK D. FAROLE 17MAR2005	Dongguan China
TOLERANCES UNLESS OTHERWISE SPECIFIED:		APPD D. FAROLE 17MAR2005	
0 PLC	± .	PRODUCT SPEC	
1 PLC	± .010	108-2100	
2 PLC	± .005	APPLICATION SPEC	
3 PLC	± .005		
4 PLC	± .005		
ANGLES	± .		
MATERIAL	FINISH	WEIGHT	RESTRICTED TO
		A100779	
CUSTOMER DRAWING		SCALE 4:1	SHEET 2 OF 2 REV E