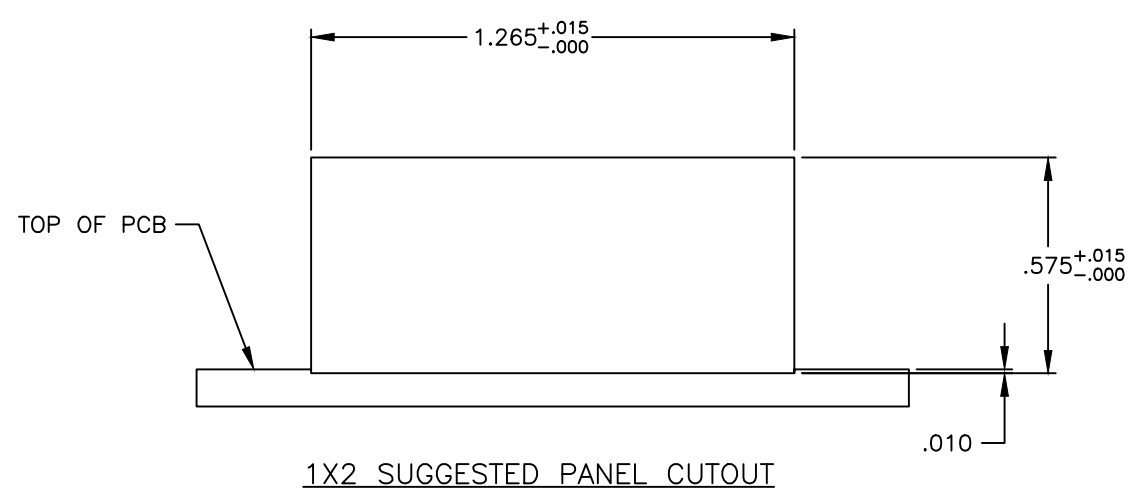
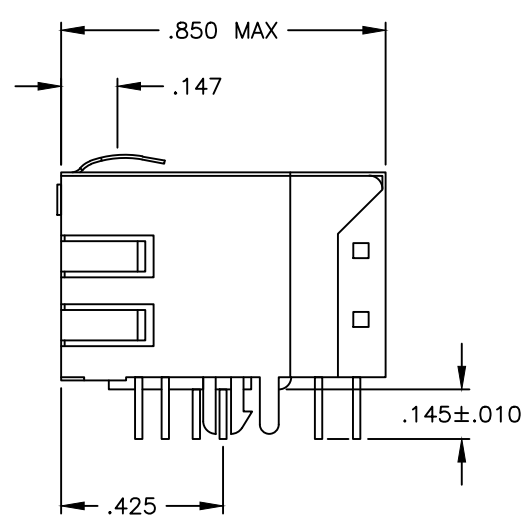
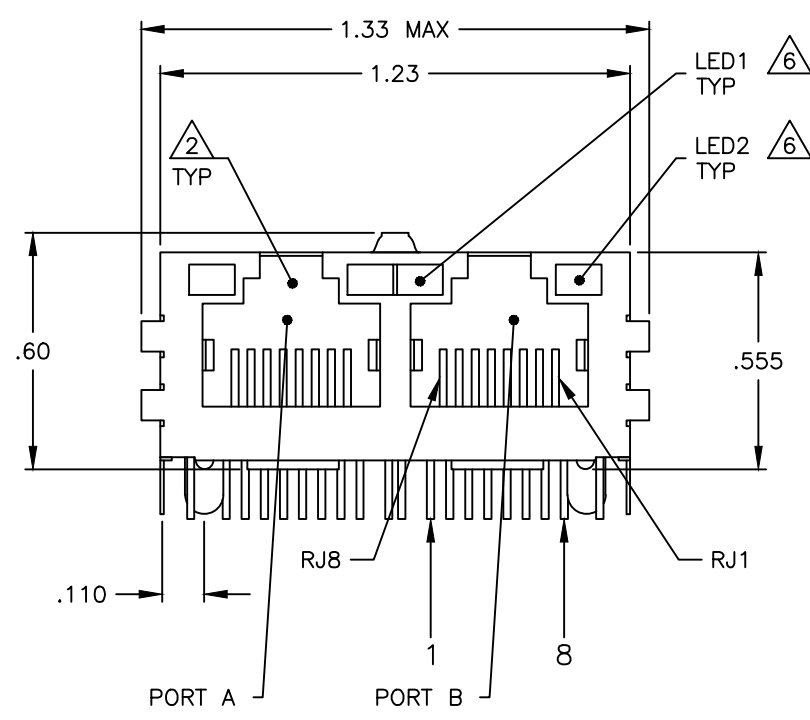
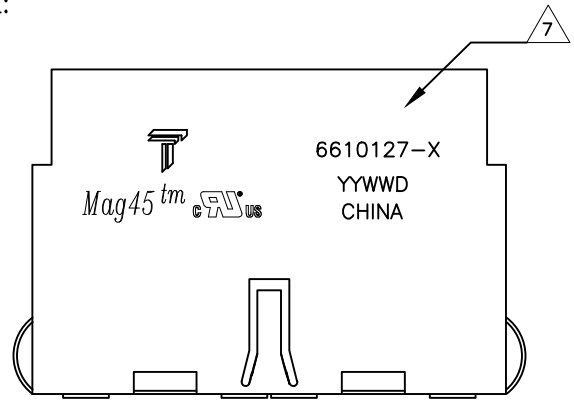


| REVISIONS | | | | |
|-----------|----|-------------|-----------|-------|
| # | LR | DESCRIPTION | DATE | APP'D |
| D | | LOGO CHANGE | 07APR2013 | QL KZ |

MECHANICAL:



1X2 SUGGESTED PANEL CUTOUT

- 1. MATERIALS:
 -HOUSING - THERMOPLASTIC PET POLYESTER FLAMMABILITY RATING UL 94V-0.
 -SHIELD - .010" THICK, C26800 BRASS PREPLATED WITH 30μINCH MIN SEMI-BRIGHT NICKEL. SOLDER TABS POST DIPPED WITH 100μINCH MIN SAC SOLDER.
 -MOD JACK CONTACTS - 0.0157 X 0.018" PHOSPHOR BRONZE, 50μINCH MIN OVERALL NICKEL UNDERPLATE WITH SELECT 50μINCH MIN HARD GOLD FINISH PLATE.
 SOLDER TAILS WITH 100μINCH MIN MATTE TIN AND/OR SAC SOLDER DIP.
 -LIGHT EMITTING DIODE(LED) - DIFFUSED EPOXY LENS, .020" X .020" CARBON STEEL WIREFRAME LEADS PRE-PLATED WITH 80μINCH SILVER OVER 40μINCH NICKEL UNDERPLATE OVER 40μINCH COPPER UNDERPLATE. POST-PLATED WITH 100μIN MIN MATTE TIN AND/OR SAC SOLDER DIP OR PURE TIN SOLDER DIP.
- 2. RJ45 JACK CAVITY CONFORMS TO FCC RULES AND REGULATIONS PART 68, SUB PART F.
- 3. MAGNETICS
 -IMPEDANCE: 100 OHMS
 -TURNS RATIO (CHIP-CABLE): TX = 1:1, RX = 1:1
 -OPEN CIRCUIT INDUCTANCE (OCL): 350μH MIN @100kHz, 0.1VRMS, 8mADC BIAS FROM 0°C TO 70°C, TX AND RX
 -PERFORMANCE @ 25°C:
 INSERTION LOSS (IL): 1.1dB MAX FROM 0.5MHZ TO 100MHZ
 RETURN LOSS (RL): 18dB MIN FROM 0.5MHZ TO 30MHZ
 18-20LOG(f/30)dB MIN FROM 30.1MHZ TO 60MHZ
 12dB MIN FROM 60.1MHZ TO 80MHZ
 CROSSTALK ATTENUATION: 35dB MIN FROM 0.5MHZ TO 40MHZ
 33-20*LOG(f/50)dB MIN FROM 40.1MHZ TO 100MHZ
 COMMON MODE REJECTION RATIO (CMRR): 30dB MIN FROM 0.5MHZ TO 100MHZ
 -ISOLATION VOLTAGE: 2250VDC (MAX) FOR 60 SECONDS WITH A RISE TIME OF 500V/SEC AND WITH ALL PORTS CONNECTED.
- 4. OPERATING TEMPERATURE: FROM 0°C TO +70°C.
- 5. INDICATED CONNECTIONS ARE FOR NIC CONFIGURATION. THE MAGNETICS ARE SYMMETRICAL AND SUPPORT AUTO-MDI/MDIX.
- 6. THE 250 OHM RESISTOR IS OPTIONAL, PLEASE SEE CHART FOR PRESENCE OR ABSENCE OF LED RESISTORS.
 IF LEDS WITHOUT 250 OHM RESISTOR, LEDS ARE DRIVEN WITH CONSTANT CURRENT AT APPROX 20 mA
 LED COLOR: DOMINANT WAVELENGTH (AD): GREEN 568 nm TYP @ IF=20 mA
 FORWARD VOLTAGE (VF): GREEN 2.2V TYP @ IF=20 mA
 DOMINANT WAVELENGTH (AD): YELLOW 588 nm TYP @ IF=20 mA
 FORWARD VOLTAGE (VF): YELLOW 2.1V TYP @ IF=20 mA
 IF LEDS WITH BUILT-IN RESISTOR, LEDS ARE DRIVEN WITH 5V VOLTAGE AND THE MAX OPERATING CURRENT IS 20mA.
 LED COLOR: DOMINANT WAVELENGTH (AD): GREEN 568 nm TYP @ VF=5V
 FORWARD CURRENT (IF): GREEN 12mA TYP @ VF=5V
 DOMINANT WAVELENGTH (AD): YELLOW 588 nm TYP @ VF=5V
 FORWARD CURRENT (IF): YELLOW 13mA TYP @ VF=5V
- 7. TRP CONNECTOR LOGO, PART NUMBER, DATE CODE, COUNTRY OF ORIGIN AND AGENCY APPROVAL MARKING IN APPROXIMATE LOCATION SHOWN.
- 8. THESE PARTS ARE RECOMMENDED FOR WAVE SOLDERING PROCESS, PREHEAT TEMPERATURE IS 120°C TO 160°C, 120 SECONDS TO 180 SECONDS, PEAK WAVE SOLDERING TEMPERATURE IS 260°C MAX, 10 SECONDS MAX.
- 9. OBSOLETE PARTS: OBSOLETE CIS STREAMLINING PER D.RENAUD/D.SINISI

| | | | | | |
|------------|--------------|------------------|--------------|------------------|------------------------|
| | GREEN/YELLOW | NO | GREEN/YELLOW | NO | 5-6610127-6 |
| 9 OBSOLETE | GREEN | YES | YELLOW | YES | 5-6610127-1 |
| | LED1 6 | 250 OHM RESISTOR | LED2 6 | 250 OHM RESISTOR | PART NUMBER |

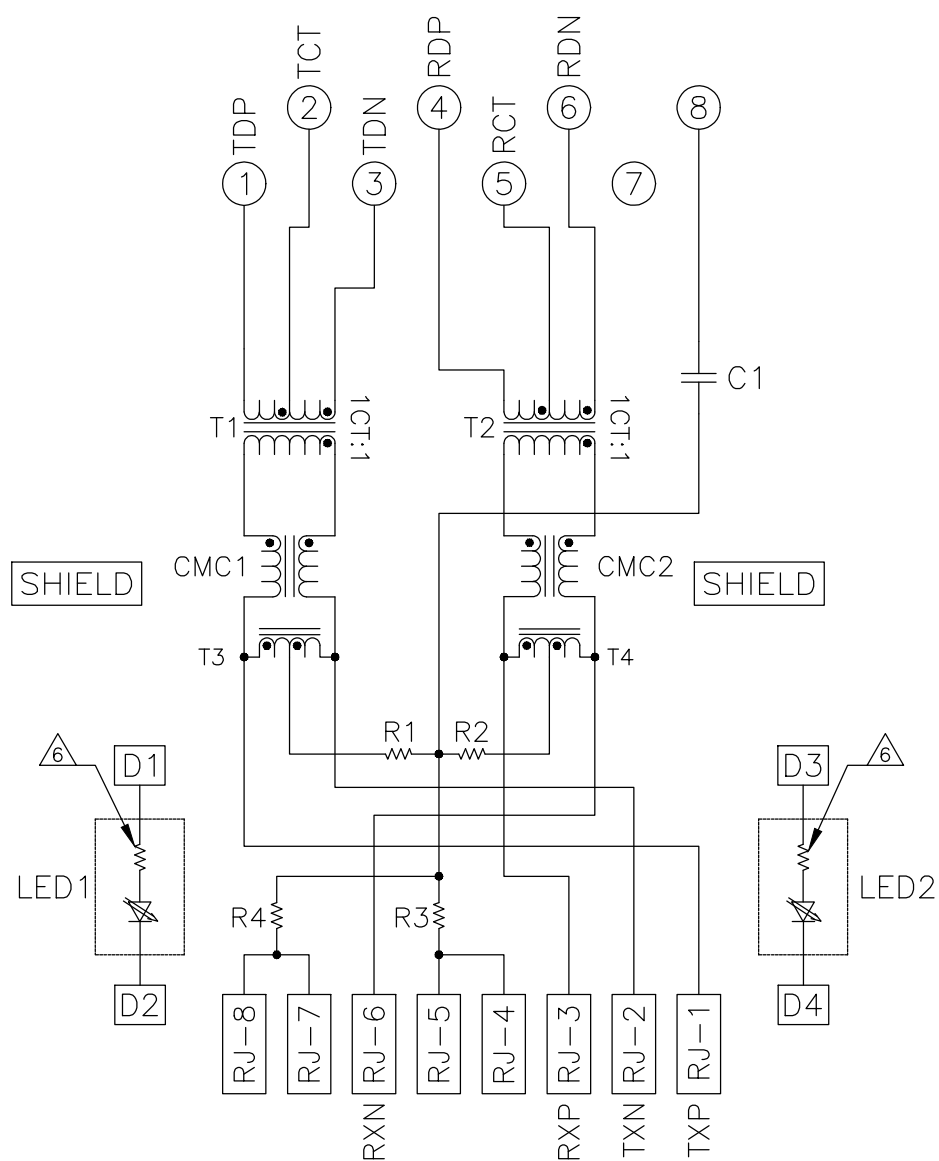
THIS DRAWING IS A CONTROLLED DOCUMENT.

| | | | |
|-------------|--------|--|--------|
| DIMENSIONS: | | TOLERANCES UNLESS OTHERWISE SPECIFIED: | |
| INCHES | | | |
| 0 PLC | ± .010 | 1 PLC | ± .010 |
| 1 PLC | ± .010 | 2 PLC | ± .010 |
| 2 PLC | ± .010 | 3 PLC | ± .010 |
| 3 PLC | ± .010 | 4 PLC | ± .010 |
| 4 PLC | ± .010 | ANGLES | ± .010 |
| MATERIAL | FINISH | WEIGHT | SCALE |
| 1 | 1 | - | 4:1 |

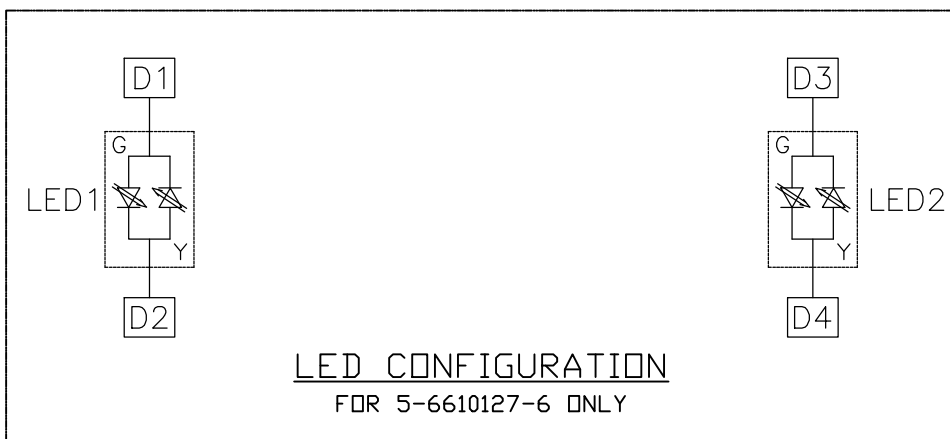
| | | | |
|------------------|--------------------|---------------|--|
| DRN | A. FERNANDEZ-DOCKS | 17MAR2005 | TRP connector |
| CHK | D. FAROLE | 17MAR2005 | Dongguan China |
| APP'D | D. FAROLE | 17MAR2005 | |
| PRODUCT SPEC | 108-2100 | NAME | 1X2 MAG45(TM) MODULAR JACK, 7N2P1 SCHEMATIC, 715P1 MAGNETIC CIRCUIT, SHIELDED, DECOUPLING CAPACITOR, WITH LEDS |
| APPLICATION SPEC | | SIZE | A1 |
| | | CASE CODE | 00779 |
| | | DRAWING NO | C-6610127 |
| | | RESTRICTED TO | |
| CUSTOMER DRAWING | | SCALE | 4:1 |
| | | SHEET | 1 OF 2 |
| | | REV | D |

ELECTRICAL:

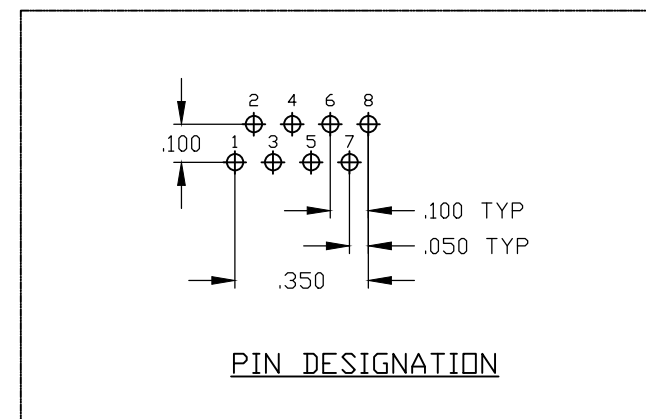
715P1 SERIES MAGNETIC CIRCUIT Δ ∇ Δ



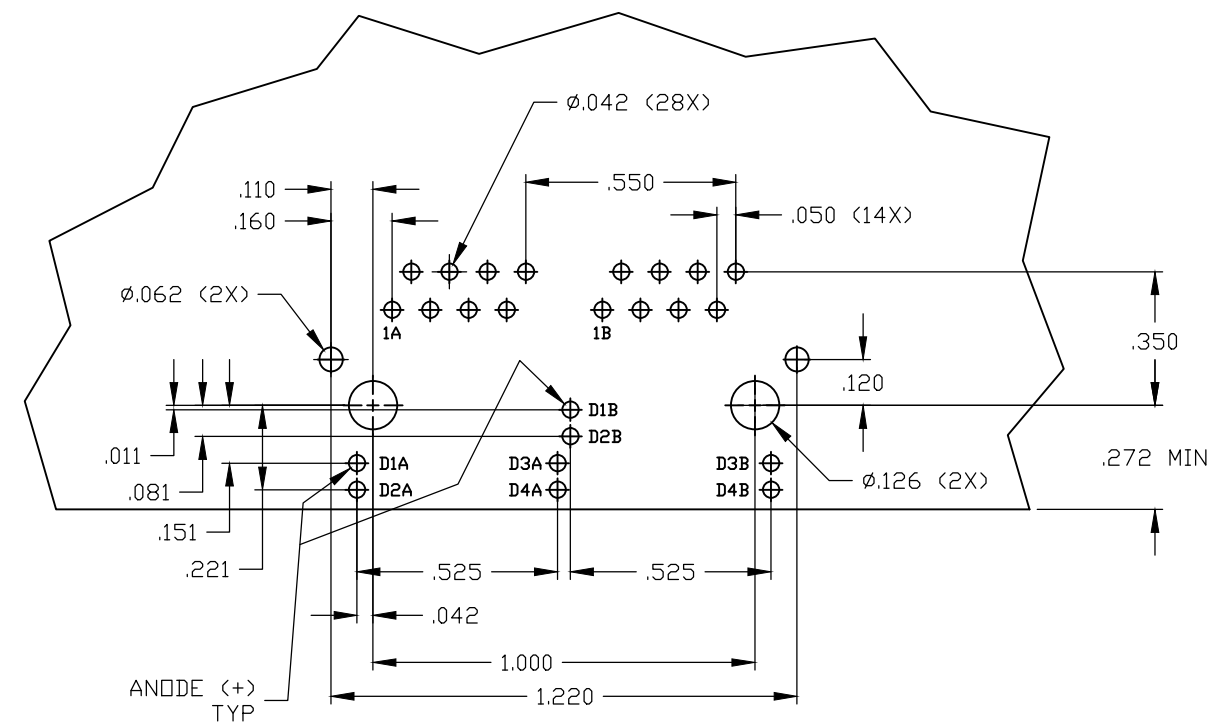
C1= 1000pF 2kV CAPACITOR
 R1-R4 = 75 OHMS, 1/16 W RESISTORS



LED CONFIGURATION
 FOR 5-6610127-6 ONLY



PIN DESIGNATION



SUGGESTED PCB LAYOUT
 (Component Side)

| | | | |
|--|--|--|--|
| THIS DRAWING IS A CONTROLLED DOCUMENT. | | DRW A. FERNANDEZ-DOCKS 17MAR2005 | TRP connector Dongguan China |
| DIMENSIONS: INCHES | | CHK D. FAROLE 17MAR2005 | APPRO D. FAROLE 17MAR2005 |
| TOLERANCES UNLESS OTHERWISE SPECIFIED: | | PRODUCT SPEC 108-2100 | NAME 1X2 MAG45(TM) MODULAR JACK, 7N2P1 SCHEMATIC, 715P1 MAGNETIC CIRCUIT, SHIELDED, DECOUPLING CAPACITOR, WITH LEDS |
| 0 PLC ± . | | APPLICATION SPEC | SIZE A1 |
| 1 PLC ± .010 | | RESTRICTED TO | CASE CODE 00779 |
| 2 PLC ± .005 | | SCALE 4:1 | DRAWING NO 6610127 |
| 3 PLC ± . | | SHEET 2 | REV D |
| 4 PLC ± . | | | |
| ANGLES ± . | | | |
| MATERIAL | | WEIGHT | CUSTOMER DRAWING |
| FINISH | | | |