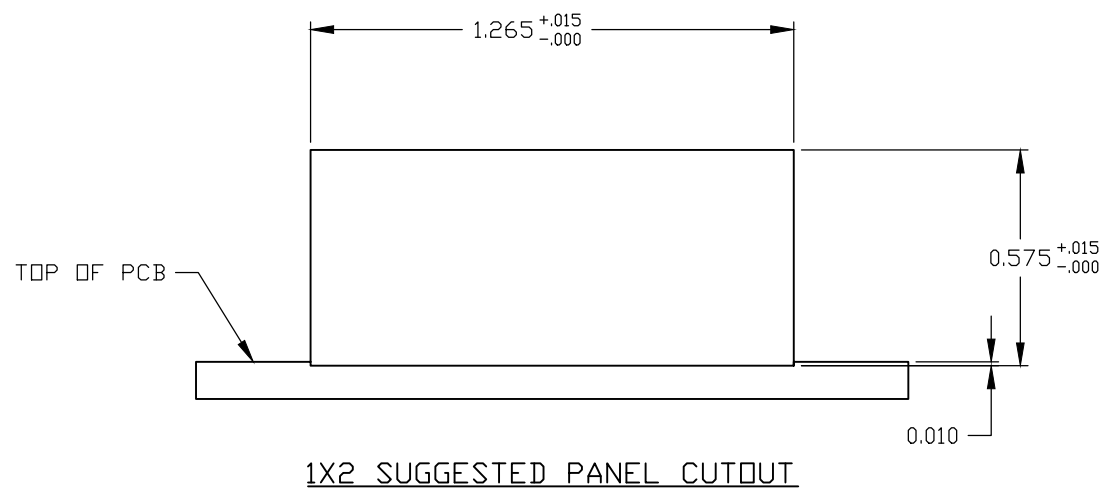
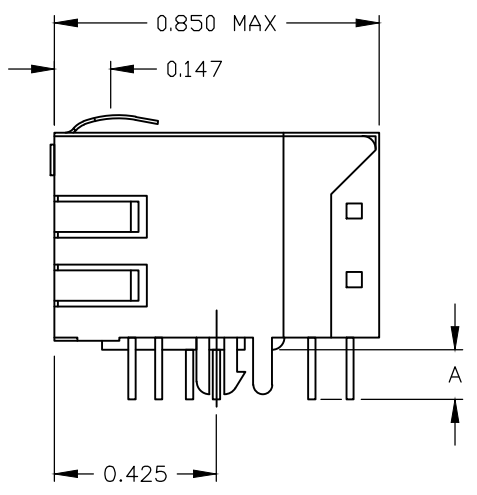
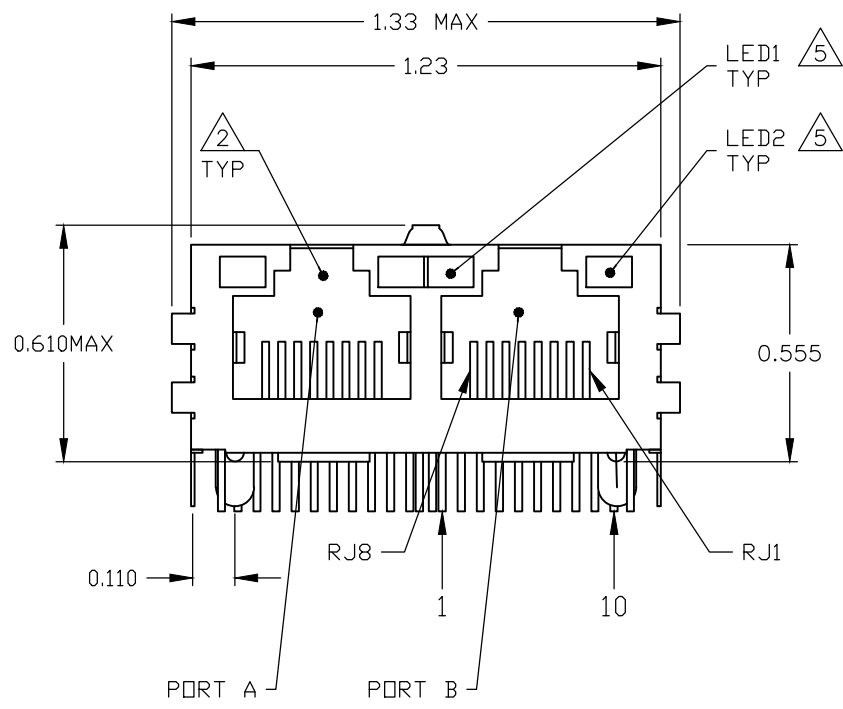
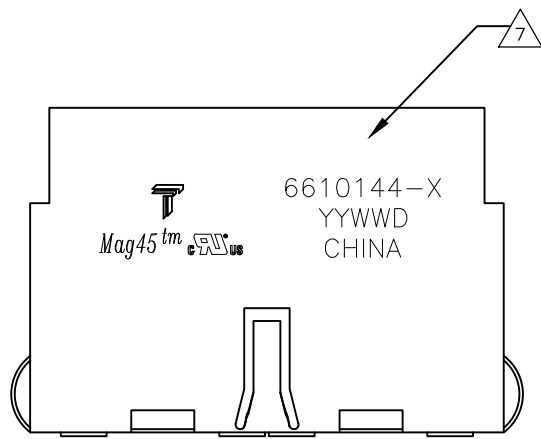


| REVISIONS | | | | |
|-----------|----|-------------|-----------|-------|
| # | LR | DESCRIPTION | DATE | APPD |
| F | | LOGO CHANGE | 07APR2013 | QL KZ |

MECHANICAL:



1X2 SUGGESTED PANEL CUTOUT

- 1 MATERIALS:
 - HOUSING - THERMOPLASTIC PET POLYESTER FLAMMABILITY RATING UL 94V-0.
 - SHIELD - 0.010" THICK, C26800 BRASS PREPLATED WITH 30μINCH MIN SEMI-BRIGHT NICKEL. SOLDER TABS POST DIPPED WITH 100μINCH MIN SAC SOLDER.
 - MOD JACK CONTACTS - 0.0157" X 0.018" PHOSPHOR BRONZE, 50μINCH MIN OVERALL NICKEL UNDERPLATE WITH SELECT 50μINCH MIN HARD GOLD FINISH PLATE. SOLDER TAILS WITH 100μINCH MIN MATTE TIN AND/OR SAC SOLDER DIP.
 - LIGHT EMITTING DIODE(LED) - DIFFUSED EPOXY LENS, 0.020" X 0.020" CARBON STEEL WIREFRAME LEADS PRE-PLATED WITH 80μINCH SILVER OVER 40μINCH NICKEL UNDERPLATE OVER 40μINCH COPPER UNDERPLATE. POST-PLATED WITH 100μINCH MIN MATTE TIN AND/OR SAC SOLDER DIP OR PURE TIN SOLDER DIP.
- 2 RJ45 JACK CAVITY CONFORMS TO FCC RULES AND REGULATIONS PART 68, SUB PART F.
- 3 MAGNETICS
 - IMPEDANCE: 100 OHMS
 - TURNS RATIO (CHIP: CABLE): 1:1 ALL FOUR PAIRS
 - OPEN CIRCUIT INDUCTANCE (OCL): 350μH MIN @100kHz, 0.1VRMS, 8mADC BIAS FROM 0° C TO 70° C, ALL FOUR PAIRS
 - ALL FOUR PAIRS BI-DIRECTIONAL
 - PERFORMANCE @ 25° C:
 - INSERTION LOSS (IL): 1.1dB MAX FROM 0.5MHz TO 100MHz
 - RETURN LOSS (RL): 18dB MIN FROM 0.5MHz TO 40MHz
 - 12-20LOG(f/80)dB MIN FROM 40.1MHz TO 100MHz
 - CROSSTALK ATTENUATION: 35dB MIN FROM 0.5MHz TO 40MHz
 - 33-20xLOG(f/50)dB MIN FROM 40.1MHz TO 100MHz
 - COMMON MODE REJECTION RATIO (CMRR): 30dB MIN FROM 0.5MHz TO 100MHz
 - ISOLATION VOLTAGE: 2250VDC (MAX) FOR 60 SECONDS WITH A RISE TIME OF 500V/SEC AND WITH ALL PORTS CONNECTED.
- 4. OPERATING TEMPERATURE: FROM 0°C TO + 70°C.
- 5 LED IS DRIVEN WITH CONSTANT CURRENT AT APPROX 20mA.
 - LED COLOR: DOMINANT WAVELENGTH(λD): GREEN 568nm TYP. AT IF=20mA
 - FORWARD VOLTAGE (VF): GREEN 2.2V TYP. AT IF=20mA
 - DOMINANT WAVELENGTH(λD): YELLOW 588nm TYP. AT IF=20mA
 - FORWARD VOLTAGE (VF): YELLOW 2.1V TYP. AT IF=20mA.
- 6 THE MAGNETICS ARE SYMMETRICAL AND SUPPORT AUTO-MDI/MDIX.
- 7 TRP CONNECTOR LOGO, PART NUMBER, DATE CODE, COUNTRY OF ORIGIN AND AGENCY APPROVAL MARKING IN APPROXIMATE LOCATION SHOWN.
- 8. THESE PARTS ARE RECOMMENDED FOR WAVE SOLDERING PROCESS, PEAK WAVE SOLDERING TEMPERATURE IS 265°C MAX, 10 SECONDS MAX.

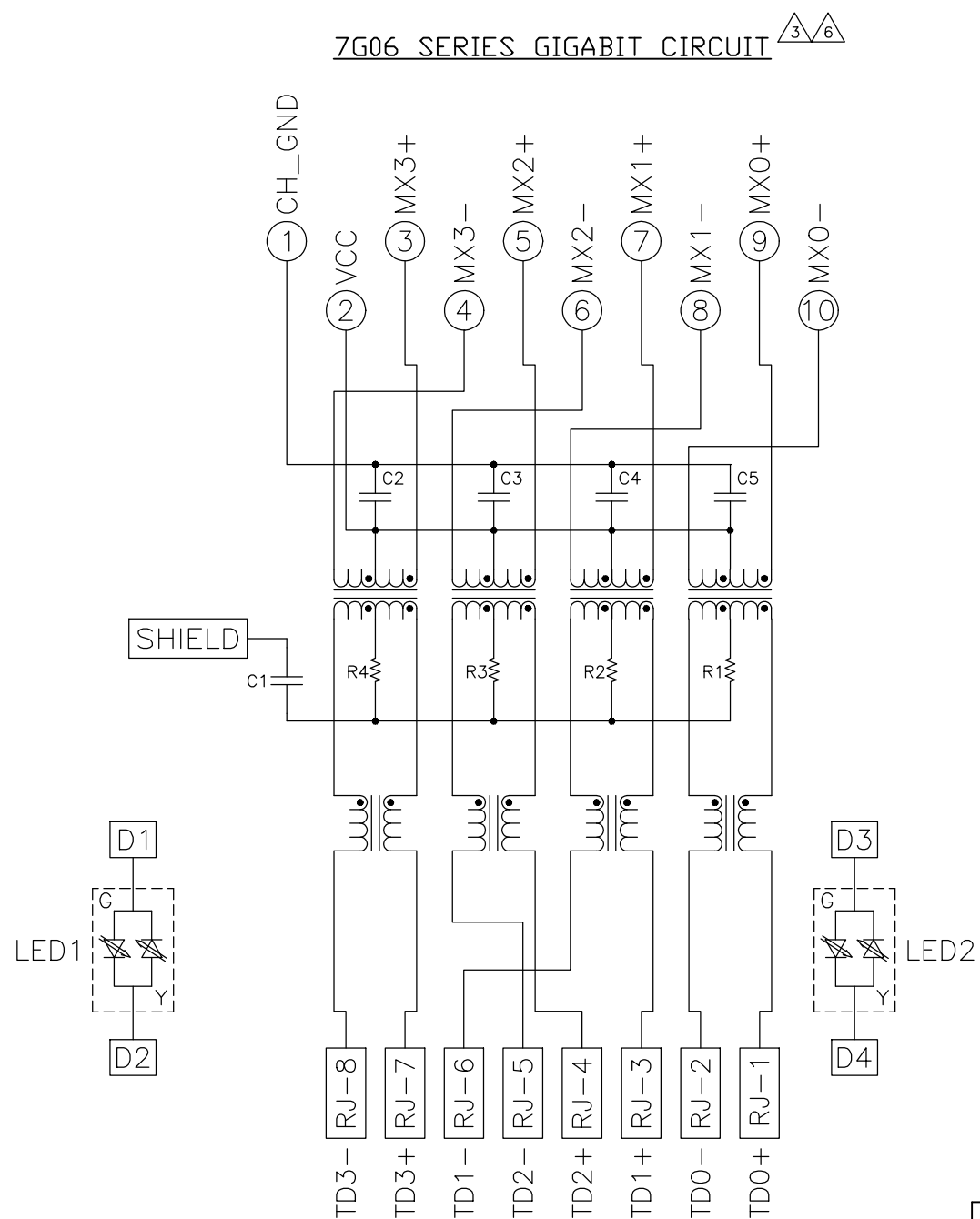
| | | | |
|-------------|--------------|--------------|-------------|
| 0.110±0.010 | GREEN/YELLOW | GREEN/YELLOW | 2-6610144-6 |
| 0.145±0.010 | GREEN | YELLOW | 6610144-8 |
| 0.145±0.010 | GREEN/YELLOW | GREEN/YELLOW | 6610144-6 |
| DIM "A" | LED1 5 | LED2 5 | PART NUMBER |

THIS DRAWING IS A CONTROLLED DOCUMENT.

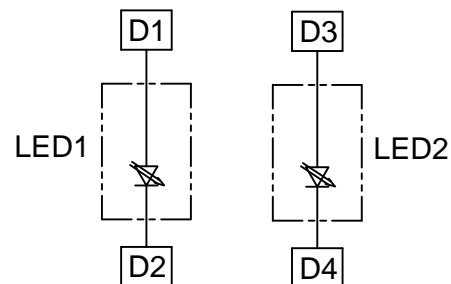
| | | | |
|------------------------|--------|--|--------|
| DIMENSIONS: INCHES: | | TOLERANCES UNLESS OTHERWISE SPECIFIED: | |
| 0 PLC | ± - | 1 PLC | ± - |
| 1 PLC | ± .010 | 2 PLC | ± .010 |
| 2 PLC | ± .005 | 3 PLC | ± .005 |
| 3 PLC | ± .005 | 4 PLC | ± .005 |
| 4 PLC | ± .005 | ANGLES | ± - |
| MATERIAL | FINISH | WEIGHT | SCALE |
| 1 | 1 | - | 4:1 |

| | |
|--|--|
| DRN: A. FERNANDEZ-DOCKS CHK: D. FAROLE APPD: D. FAROLE | TRP connector Dongguan China |
| PRODUCT SPEC: 108-2100 APPLICATION SPEC: | NMM X2 MAG45(TM) MODULAR JACK, 7G4 SCHEMATIC, (10 PIN HORIZONTAL), 7G06 SERIES GIGABIT CIRCUIT, SHIELDED, WITH LEADS |
| SIZE: A1 CASE CODE: 00779 DRAWING NO: C-6610144 | RESTRICTED TO: |
| CUSTOMER DRAWING | |

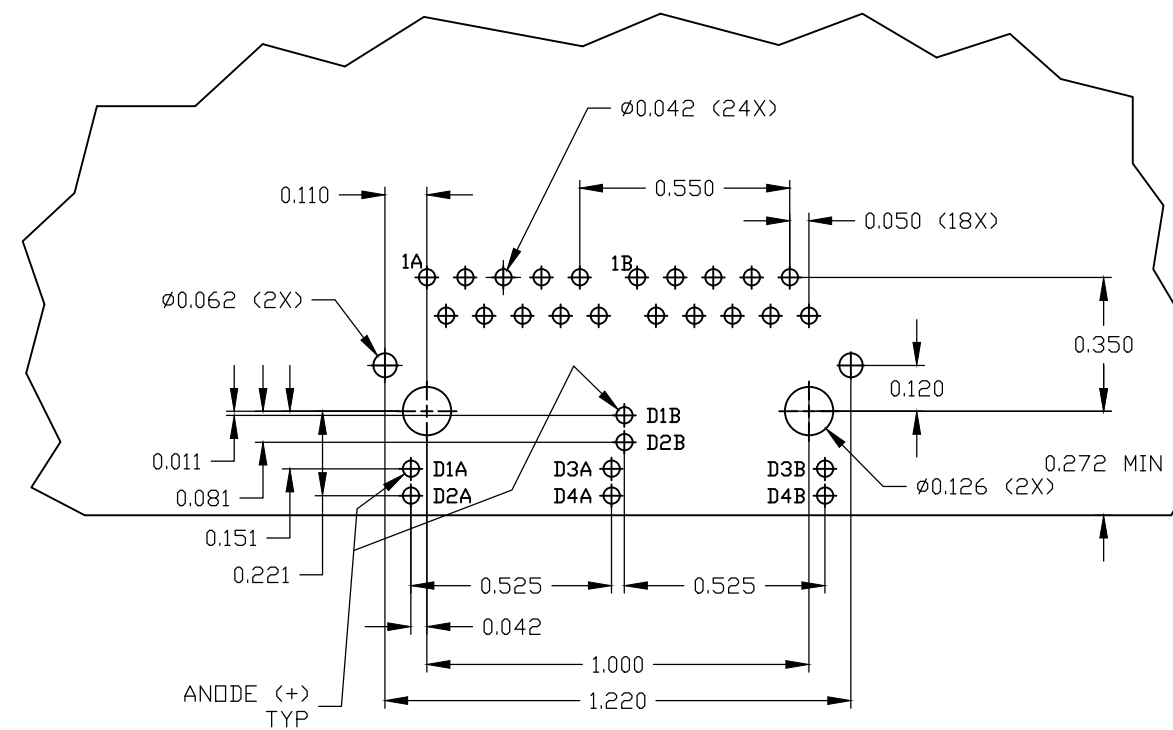
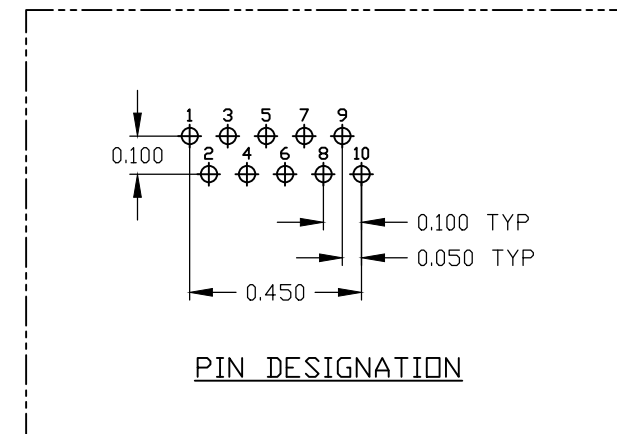
7G06 SERIES GIGABIT CIRCUIT



C1 = 1000pF, 2kV CAPACITOR.
 R1-R4 = 75 OHMS, 1/16W RESISTORS.
 C2-C5 = 0.1μF, 50V, X7R CAPACITORS.



LED CONFIGURATION
 6610144-8 ONLY



SUGGESTED PCB LAYOUT
 (Component Side)

| | | | |
|--|---|---|--|
| THIS DRAWING IS A CONTROLLED DOCUMENT. | | DRN A. FERNANDEZ-DOCKS 18MAR2005 CHK D. FAROLE 18MAR2005 APD D. FAROLE 18MAR2005 | TRP connector Dongguan China |
| DIMENSIONS: INCHES: | TOLERANCES UNLESS OTHERWISE SPECIFIED: 0 PLC ± - 1 PLC ± - 2 PLC ± .010 3 PLC ± .005 4 PLC ± - ANGLES ± - | PRODUCT SPEC 108-2100 APPLICATION SPEC - WEIGHT - CUSTOMER DRAWING | NMM X2 MAG45(TM) MODULAR JACK, 7G4 SCHEMATIC, (10 PIN HORIZONTAL), 7G06 SERIES GIGABIT CIRCUIT, SHIELDED, WITH LEADS SIZE CASE CODE DRAWING NO A100779C-6610144 RESTRICTED TO - SCALE 4:1 SHEET 2 OF 2 REV F |