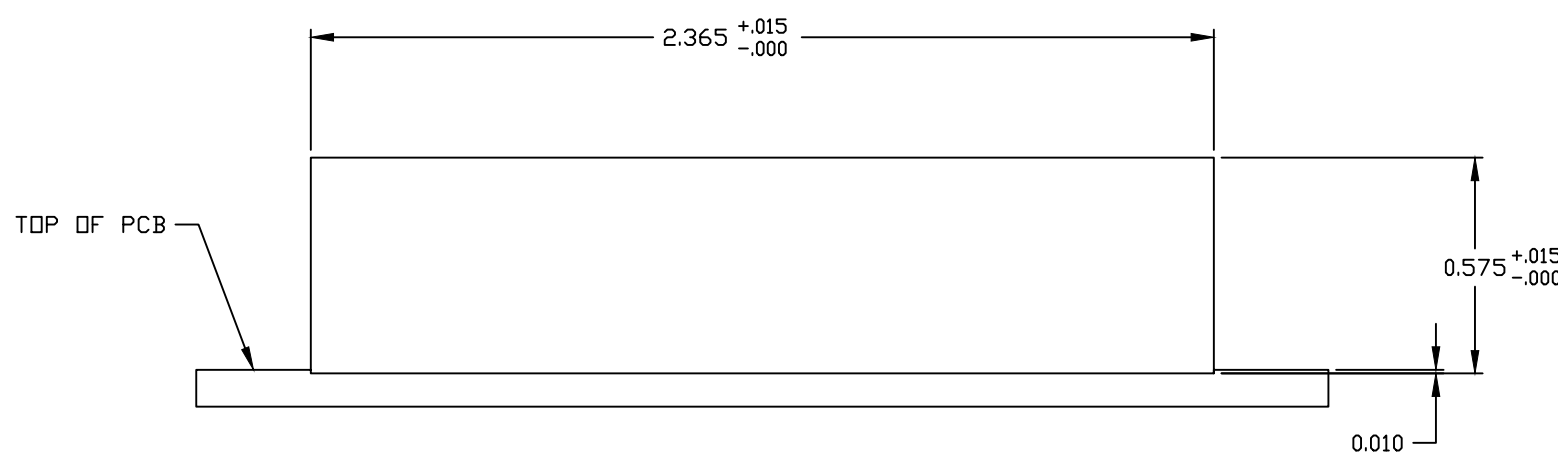
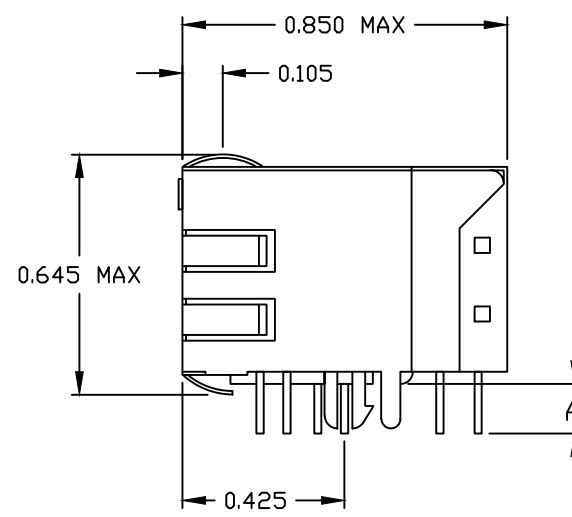
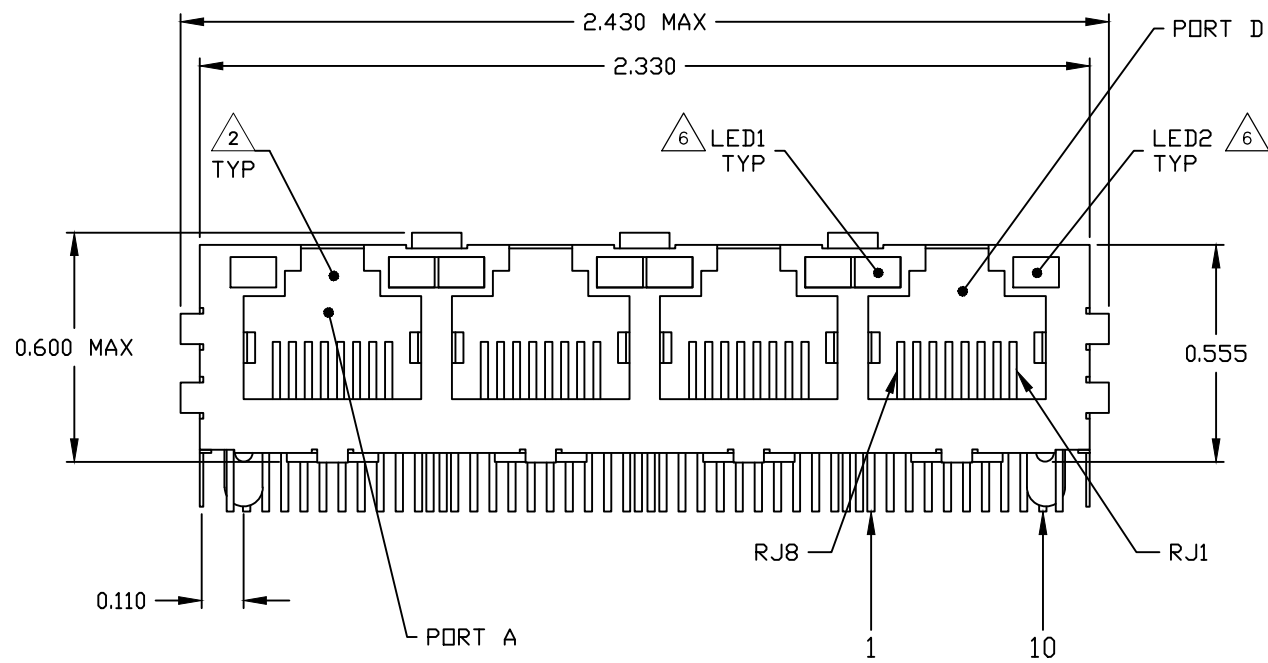
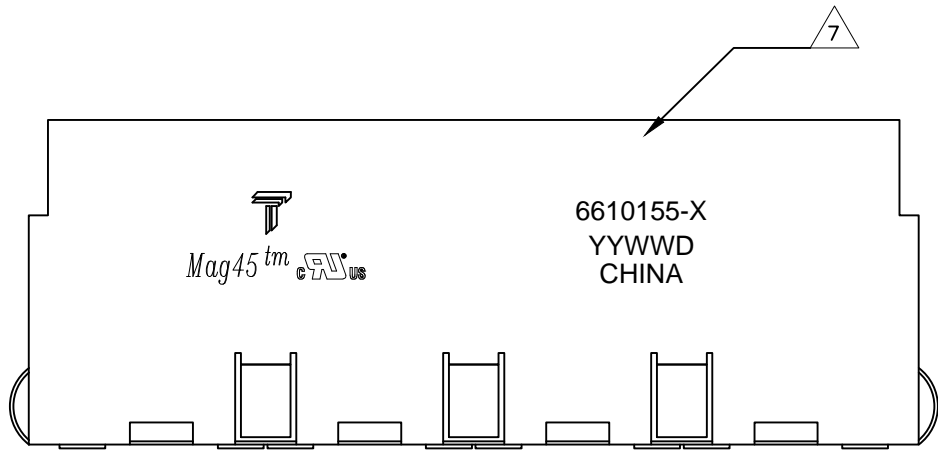


REVISIONS				
#	LR	DESCRIPTION	DATE	APPD
F		LOGO CHANGE	07APR2013	QL KZ

MECHANICAL:



1X4 SUGGESTED PANEL CUTOUT

- 1 MATERIALS:
  - HOUSING - THERMOPLASTIC PET POLYESTER FLAMMABILITY RATING UL 94V-0.
  - SHIELD - 0.010" THICK, C26800 BRASS PREPLATED WITH 30μINCH MIN SEMI-BRIGHT NICKEL. SOLDER TABS POST DIPPED WITH 100μINCH MIN SAC SOLDER.
  - MOD JACK CONTACTS - 0.0157" X 0.018" PHOSPHOR BRONZE, 50μINCH MIN OVERALL NICKEL UNDERPLATE WITH SELECT 50μINCH MIN HARD GOLD FINISH PLATE. SOLDER TAILS WITH 100μINCH MIN MATTE TIN AND/OR SAC SOLDER DIP.
  - LIGHT EMITTING DIODE(LED) - DIFFUSED EPOXY LENS, 0.020" X 0.020" CARBON STEEL WIREFRAME LEADS PRE-PLATED WITH 80μINCH SILVER OVER 40μINCH NICKEL UNDERPLATE OVER 40μINCH COPPER UNDERPLATE. POST-PLATED WITH 100μIN MIN MATTE TIN AND/OR SAC SOLDER DIP OR PURE TIN SOLDER DIP.
- 2 RJ45 JACK CAVITY CONFORMS TO FCC RULES AND REGULATIONS PART 68, SUB PART F.
- 3 MAGNETICS
  - IMPEDANCE: 100 OHMS
  - TURNS RATIO (CHIP: CABLE): 1:1 ALL FOUR PAIRS
  - OPEN CIRCUIT INDUCTANCE (OCL): 350μH MIN @100kHz, 0.1VRMS, 8mADC BIAS FROM 0°C TO 70°C, ALL FOUR PAIRS
  - ALL FOUR PAIRS BI-DIRECTIONAL
  - PERFORMANCE @ 25°C:
    - INSERTION LOSS (IL): 1.1dB MAX FROM 0.5MHz TO 100MHz
    - RETURN LOSS (RL): 18dB MIN FROM 0.5MHz TO 40MHz
    - 12-20LOG(f/80)dB MIN FROM 40.1MHz TO 100MHz
    - CROSSTALK ATTENUATION: 35dB MIN FROM 0.5MHz TO 40MHz
    - 33-20\*LOG(f/50)dB MIN FROM 40.1MHz TO 100MHz
    - COMMON MODE REJECTION RATIO (CMRR): 30dB MIN FROM 0.5MHz TO 100MHz
  - ISOLATION VOLTAGE: 2250VDC (MAX) FOR 60 SECONDS WITH A RISE TIME OF 500V/SEC AND WITH ALL PORTS CONNECTED.
- 4 OPERATING TEMPERATURE: FROM 0°C TO +70°C.
- 5 INDICATED MAGNETIC CONNECTIONS ARE SYMMETRICAL TO SUPPORT AUTO-MDI/MDIX.
- 6 LEDs WITHOUT BUILT-IN RESISTOR
  - LEDs ARE DRIVEN WITH CONSTANT CURRENT AT APPROX 20 mA
  - LED COLOR: DOMINANT WAVELENGTH (λD): GREEN 568 nm TYP @ IF=20 mA
  - FORWARD VOLTAGE (VF): GREEN 2.2V TYP @ IF=20 mA
  - DOMINANT WAVELENGTH (λD): ORANGE 605 nm TYP @ IF=20 mA
  - FORWARD VOLTAGE (VF): ORANGE 2.1V TYP @ IF=20 mA
- 7 TRP CONNECTOR LOGO, PART NUMBER, DATE CODE, COUNTRY OF ORIGIN AND AGENCY APPROVAL MARKING IN APPROXIMATE LOCATION SHOWN.
- 8 THESE PARTS ARE RECOMMENDED FOR WAVE SOLDERING PROCESS, PREHEAT TEMPERATURE IS 120°C TO 160°C, 120 SECONDS TO 180 SECONDS, PEAK WAVE SOLDERING TEMPERATURE IS 260°C MAX, 10 SECONDS MAX.

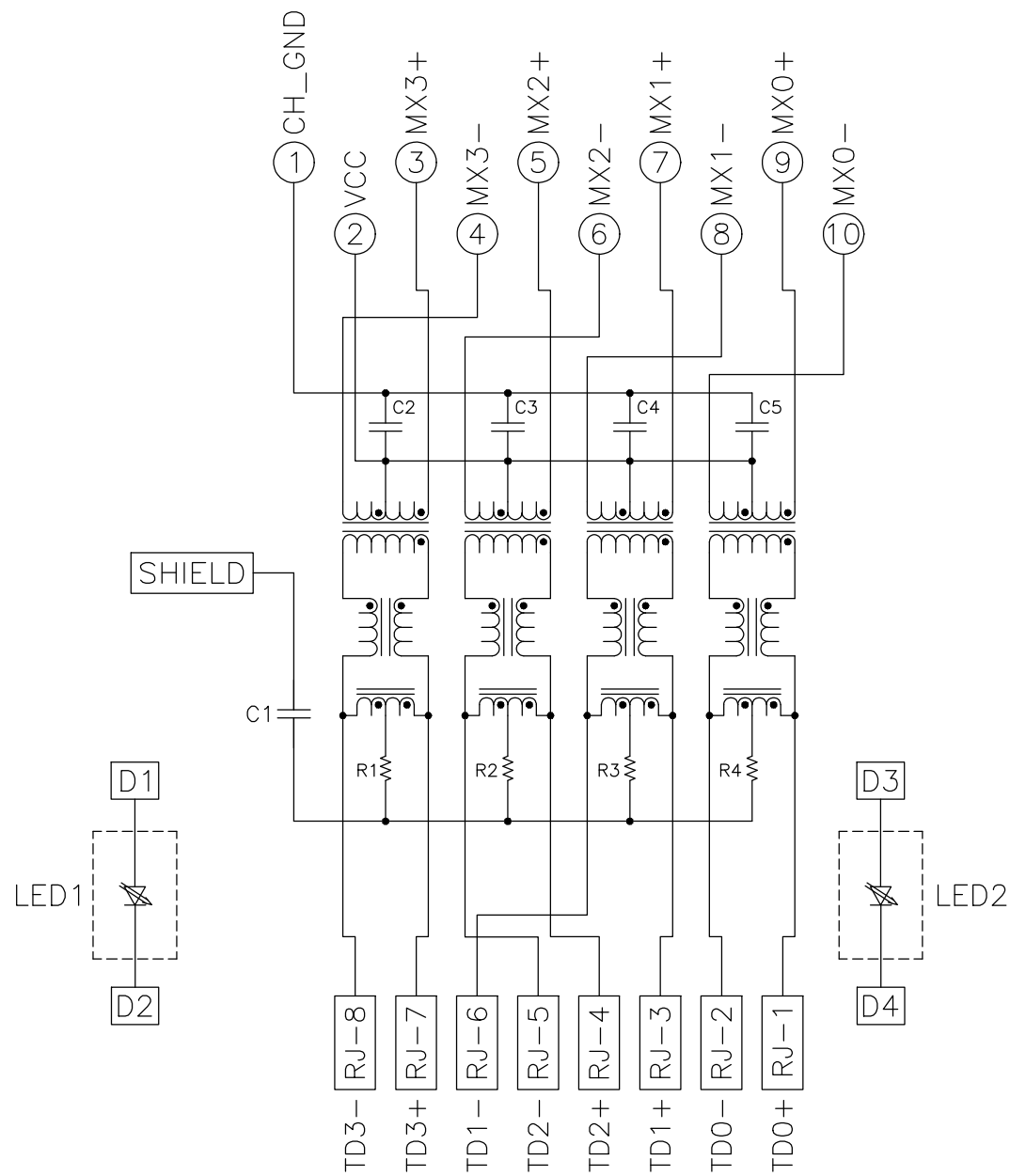
0.160±0.010	GREEN	GREEN	1-6610155-5
0.145±0.010	GREEN	ORANGE	1-6610155-2
0.145±0.010	GREEN	GREEN	6610155-7
DIM "A"	LED1	LED2	PART NUMBER

THIS DRAWING IS A CONTROLLED DOCUMENT.

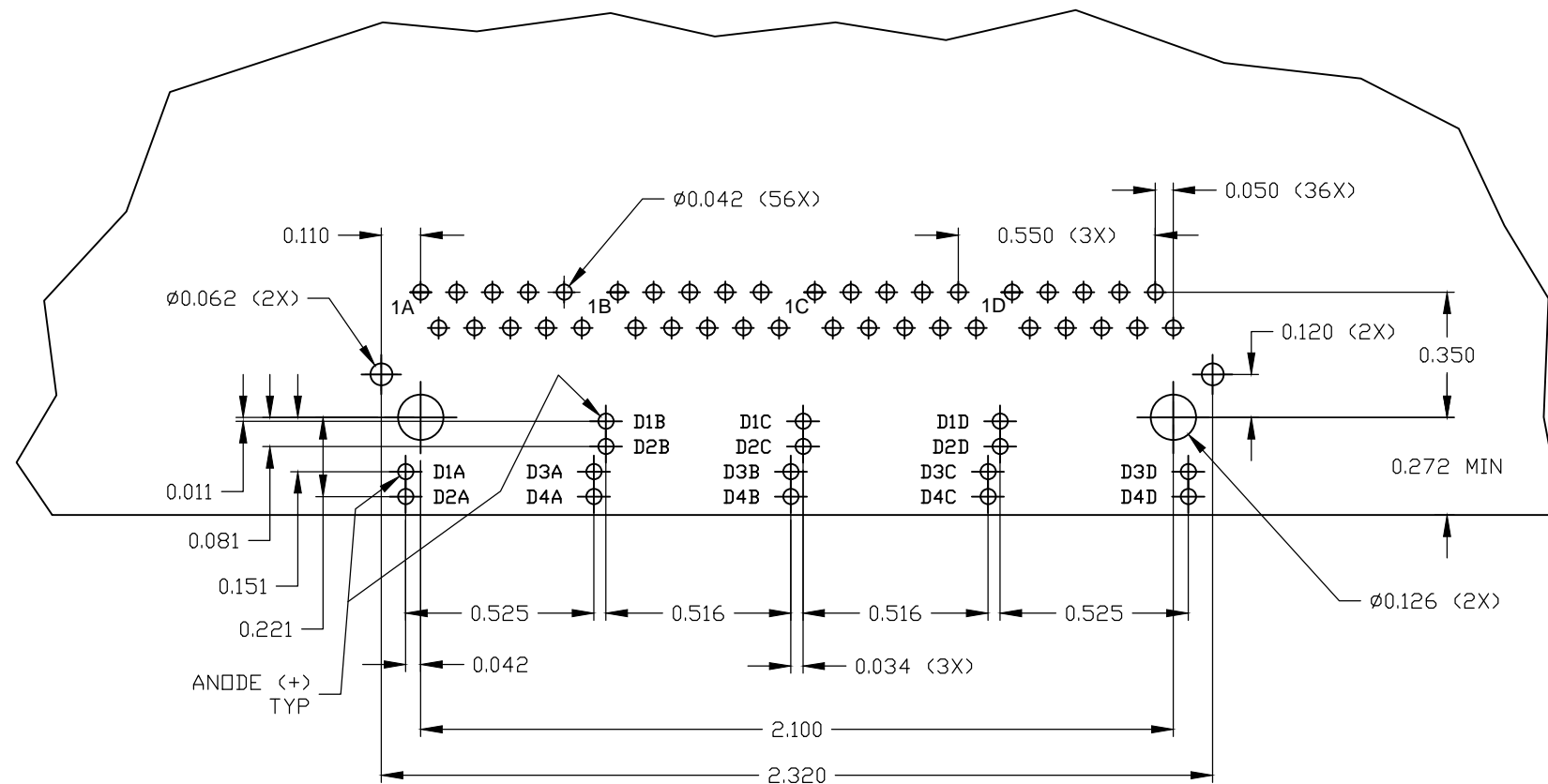
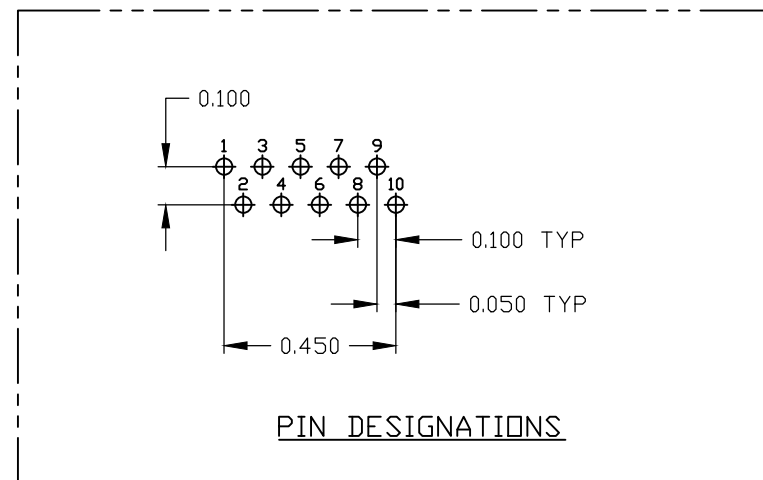
DIMENSIONS:		TOLERANCES UNLESS OTHERWISE SPECIFIED:	
INCHES			
0 PLC	± .-		
1 PLC	± .-		
2 PLC	± .010		
3 PLC	± .005		
4 PLC	± .-		
ANGLES	± .-		
MATERIAL	FINISH	WEIGHT	
1	1		

DRN	G. ATTADIA - DOCKS	15MAR2005	TRP connector
CHK	D. FAROLE	15MAR2005	Dongguan China
APPD	D. FAROLE	15MAR2005	
PRODUCT SPEC	108-2100		
APPLICATION SPEC			
SIZE	A1	CAGE CODE	00779
DRAWING NO	C=6610155		
CUSTOMER DRAWING		SCALE	4:1
		SHEET	1 OF 2
		REV	F

### 7G05 SERIES GIGABIT CIRCUIT



C1 = 1000pF, 2kV DECOUPLING CAPACITOR  
 R1-R4 = 75 OHMS, 1/16W RESISTORS  
 C2-C5 = 0.1μF, 10%, 50V, X7R CAPACITORS



### SUGGESTED PCB LAYOUT (Component Side)

THIS DRAWING IS A CONTROLLED DOCUMENT.		DRN G. ATTADIA - DOCK5 15MAR2005	TRP connector Dongguan China
DIMENSIONS: INCHES		CHK D. FAROLE 15MAR2005	APPRO D. FAROLE 15MAR2005
TOLERANCES UNLESS OTHERWISE SPECIFIED:		PRODUCT SPEC 108-2100	APPLICATION SPEC
Ø	PLC	± .	± .
	PLC	± .010	± .
	PLC	± .005	± .
	PLC	± .	± .
	ANGLES	± .	± .
MATERIAL	FINISH	WEIGHT	SIZE CASE CODE DRAWING NO RESTRICTED TO
-	-	-	A100779C-6610155
CUSTOMER DRAWING		SCALE 4:1	SHEET 2 OF 2 REV F