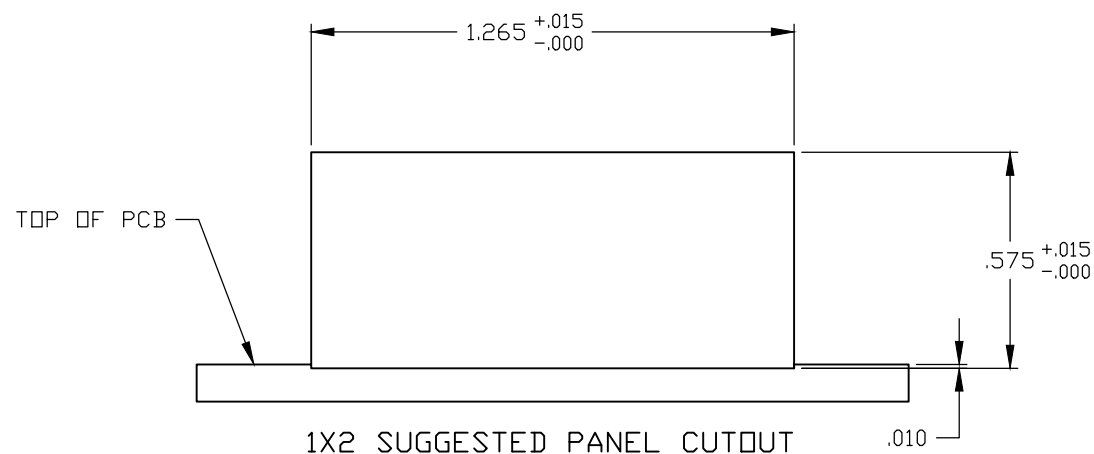
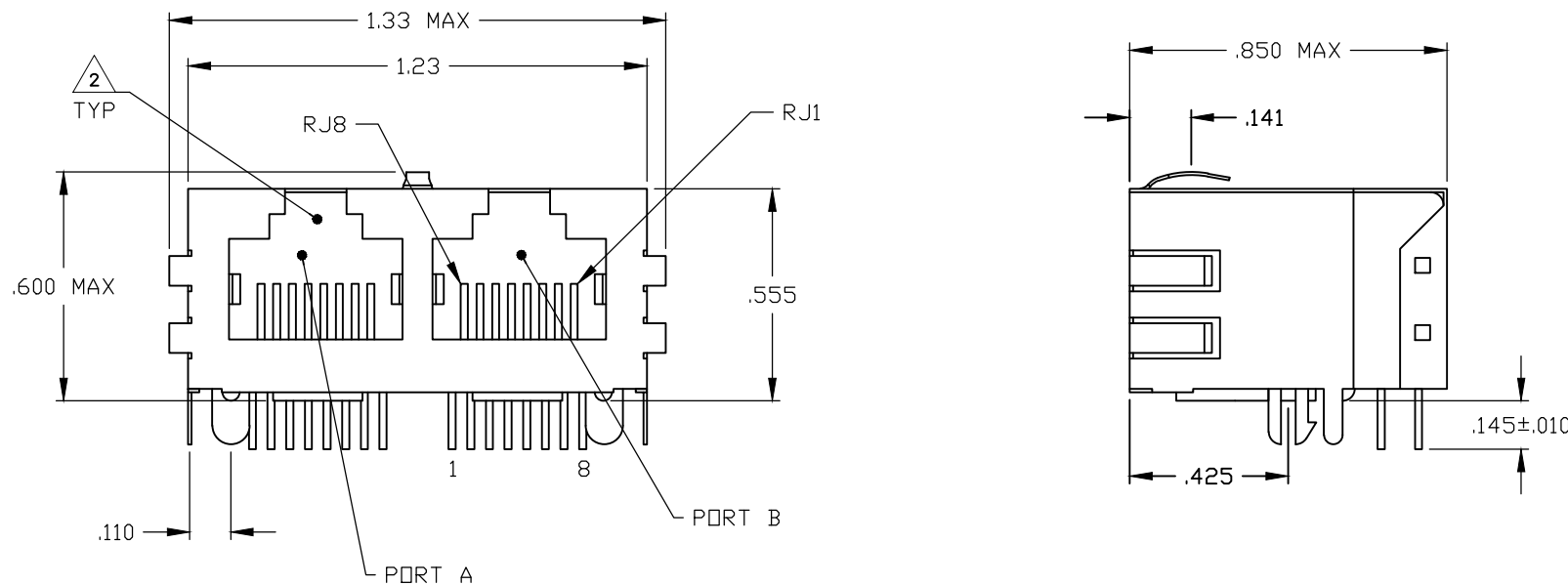
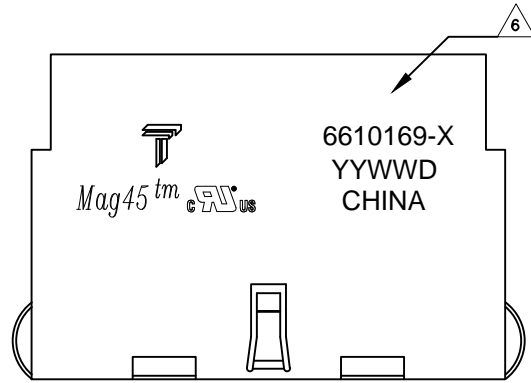


REVISIONS				
#	LR	DESCRIPTION	DATE	APPD
D		LOGO CHANGE	07APR2013	QL KZ

MECHANICAL:

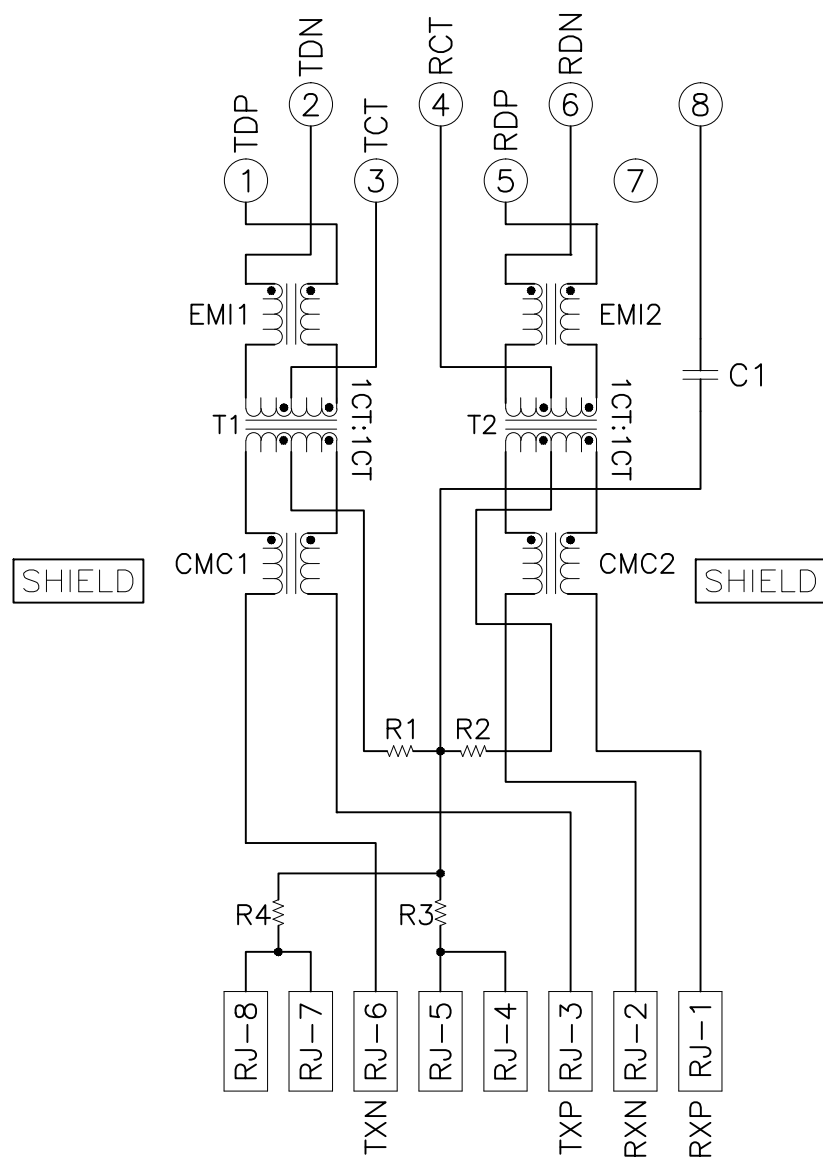


- 1 MATERIALS:
 - HOUSING - THERMOPLASTIC PET POLYESTER FLAMMABILITY RATING UL 94V-0.
 - SHIELD - .010" THICK, C26800 BRASS PREPLATED WITH 30μINCH MIN SEMI-BRIGHT NICKEL. SOLDER TABS POST DIPPED WITH 100μINCH MIN SAC SOLDER.
 - MOD JACK CONTACTS - 0.0157 X 0.018" PHOSPHOR BRONZE, 50μINCH MIN OVERALL NICKEL UNDERPLATE WITH SELECT 50μINCH MIN HARD GOLD FINISH PLATE. SOLDER TAILS WITH 100μINCH MIN MATTE TIN AND/OR SAC SOLDER DIP.
- 2 RJ45 JACK CAVITY CONFORMS TO FCC RULES AND REGULATIONS PART 68, SUB PART F.
- 3 MAGNETICS
 - IMPEDANCE: 100 OHMS
 - TURNS RATIO (CHIP-CABLE): TX = 1:1, RX = 1:1
 - OPEN CIRCUIT INDUCTANCE (OCL): 350μH MIN @100kHz, 0.1VRMS, 8mADC BIAS FROM 0°C TO 70°C, TX AND RX
 - PERFORMANCE @ 25°C:
 - INSERTION LOSS (IL): 1.1dB MAX FROM 0.5MHZ TO 100MHZ
 - RETURN LOSS (RL): 18dB MIN FROM 0.5MHZ TO 30MHZ
 - 18-20LOG(f/30)dB MIN FROM 30.1MHZ TO 60MHZ
 - 12dB MIN FROM 60.1MHZ TO 80MHZ
 - CROSSTALK ATTENUATION: 35dB MIN FROM 0.5MHZ TO 40MHZ
 - 33-20*LOG(f/50)dB MIN FROM 40.1MHZ TO 100MHZ
 - COMMON MODE REJECTION RATIO (CMRR): 30dB MIN FROM 0.5MHZ TO 100MHZ
 - ISOLATION VOLTAGE: COMPLIES WITH IEEE802.3 2002, PARA 23.5.1.1, ITEM b.
- 4 OPERATING TEMPERATURE: FROM 0°C TO +70°C.
- 5 INDICATED CONNECTIONS ARE FOR HUB CONFIGURATION. THE MAGNETICS ARE SYMMETRICAL AND ACCOMMODATE AUTO-MDI/MDIX.
- 6 TRP CONNECTOR LOGO, PART NUMBER, DATE CODE, COUNTRY OF ORIGIN AND AGENCY APPROVAL MARKING IN APPROXIMATE LOCATION SHOWN.
- 7 THESE PARTS ARE RECOMMENDED FOR WAVE SOLDERING PROCESS, PREHEAT TEMPERATURE IS 120°C TO 160°C, 120 SECONDS TO 180 SECONDS, PEAK WAVE SOLDERING TEMPERATURE IS 260°C MAX, 10 SECONDS MAX.

6610169-1
PART NUMBER

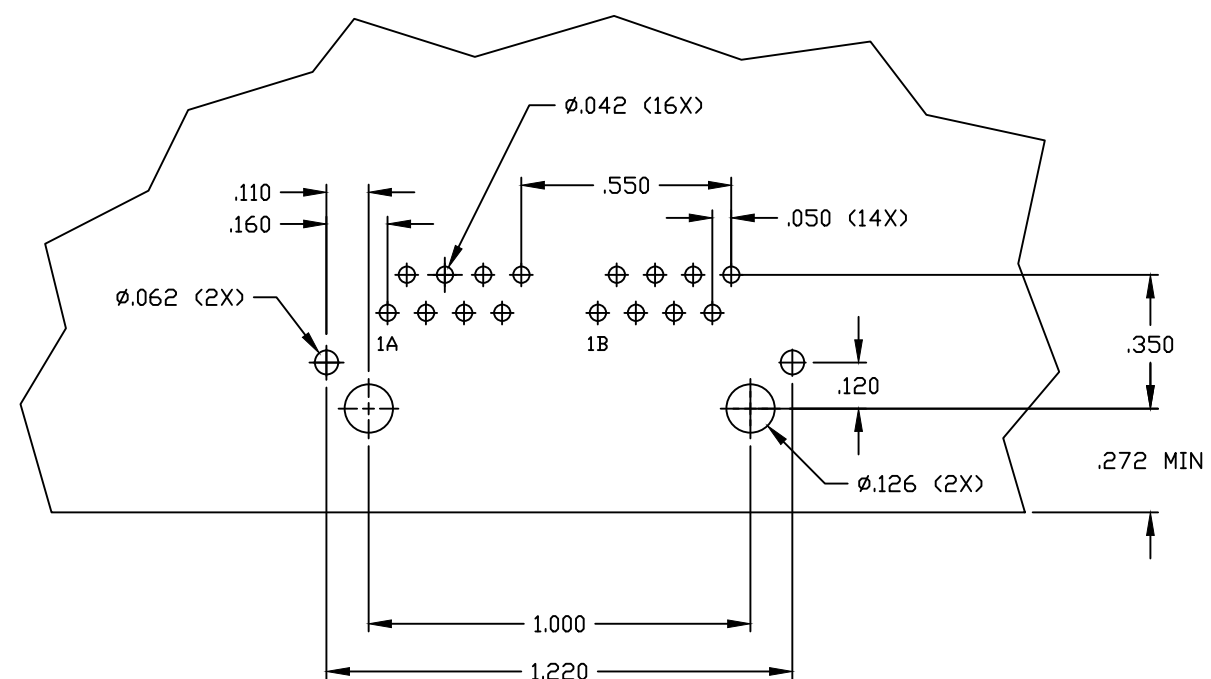
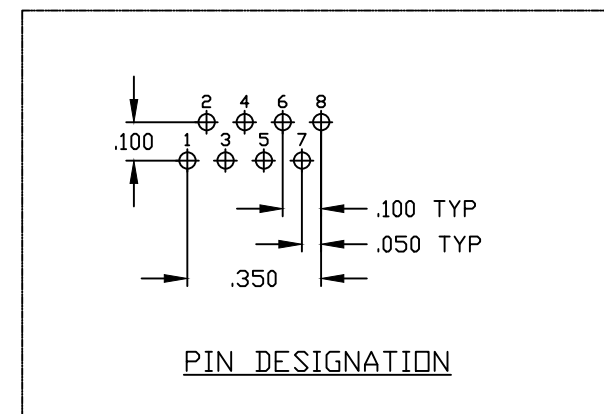
THIS DRAWING IS A CONTROLLED DOCUMENT.		DRN G. ATTADIA - DOCKS 16MAR2005	TRP connector Dongguan China	
DIMENSIONS: INCHES		CHK D. FAROLE 16MAR2005	NAME 1X2 MAG45(TM) MODULAR JACK, 7H7 SCHEMATIC, 746 CIRCUIT, SHIELDED, DECOUPLING CAPACITOR, NO LEDS	
TOLERANCES UNLESS OTHERWISE SPECIFIED:		APPD D. FAROLE 16MAR2005	APPLICATION SPEC 108-2100	
0 PLC ± -		SIZE CASE CODE DRAWING NO RESTRICTED TO		
1 PLC ± -		A1 00779 C-6610169		
2 PLC ± .010		SCALE 4:1 SHEET 1 OF 2 REV D		
3 PLC ± .005		CUSTOMER DRAWING		
4 PLC ± -				
ANGLES ± -				
MATERIAL	FINISH			

746 SERIES MAGNETIC CIRCUIT 3 6



C1 = 1000 pF, 2kV DECOUPLING CAPACITOR

R1-R4 = 75 OHMS, 1/16 W RESISTORS



SUGGESTED PCB LAYOUT
(Component Side)

THIS DRAWING IS A CONTROLLED DOCUMENT.		DRN G. ATTADIA - DOCK5 16MAR2005	TRP connector Dongguan China																																																																																																																																																												
DIMENSIONS: INCHES		CHK D. FAROLE 16MAR2005	APPRO D. FAROLE 16MAR2005																																																																																																																																																												
TOLERANCES UNLESS OTHERWISE SPECIFIED:		PRODUCT SPEC 108-2100	NAME 1X2 MAG45(TM) MODULAR JACK, 7H7 SCHEMATIC, 746 CIRCUIT, SHIELDED, DECOUPLING CAPACITOR, NO LEDS																																																																																																																																																												
<table border="1"> <tr><td>0</td><td>PLC</td><td>± .</td></tr> <tr><td>1</td><td>PLC</td><td>± .</td></tr> <tr><td>2</td><td>PLC</td><td>± .010</td></tr> <tr><td>3</td><td>PLC</td><td>± .005</td></tr> <tr><td>4</td><td>PLC</td><td>± .</td></tr> <tr><td>5</td><td>PLC</td><td>± .</td></tr> <tr><td>6</td><td>PLC</td><td>± .</td></tr> <tr><td>7</td><td>PLC</td><td>± .</td></tr> <tr><td>8</td><td>PLC</td><td>± .</td></tr> <tr><td>9</td><td>PLC</td><td>± .</td></tr> <tr><td>10</td><td>PLC</td><td>± .</td></tr> <tr><td>11</td><td>PLC</td><td>± .</td></tr> <tr><td>12</td><td>PLC</td><td>± .</td></tr> <tr><td>13</td><td>PLC</td><td>± .</td></tr> <tr><td>14</td><td>PLC</td><td>± .</td></tr> <tr><td>15</td><td>PLC</td><td>± .</td></tr> <tr><td>16</td><td>PLC</td><td>± .</td></tr> <tr><td>17</td><td>PLC</td><td>± .</td></tr> <tr><td>18</td><td>PLC</td><td>± .</td></tr> <tr><td>19</td><td>PLC</td><td>± .</td></tr> <tr><td>20</td><td>PLC</td><td>± .</td></tr> <tr><td>21</td><td>PLC</td><td>± .</td></tr> <tr><td>22</td><td>PLC</td><td>± .</td></tr> <tr><td>23</td><td>PLC</td><td>± .</td></tr> <tr><td>24</td><td>PLC</td><td>± .</td></tr> <tr><td>25</td><td>PLC</td><td>± .</td></tr> <tr><td>26</td><td>PLC</td><td>± .</td></tr> <tr><td>27</td><td>PLC</td><td>± .</td></tr> <tr><td>28</td><td>PLC</td><td>± .</td></tr> <tr><td>29</td><td>PLC</td><td>± .</td></tr> <tr><td>30</td><td>PLC</td><td>± .</td></tr> <tr><td>31</td><td>PLC</td><td>± .</td></tr> <tr><td>32</td><td>PLC</td><td>± .</td></tr> <tr><td>33</td><td>PLC</td><td>± .</td></tr> <tr><td>34</td><td>PLC</td><td>± .</td></tr> <tr><td>35</td><td>PLC</td><td>± .</td></tr> <tr><td>36</td><td>PLC</td><td>± .</td></tr> <tr><td>37</td><td>PLC</td><td>± .</td></tr> <tr><td>38</td><td>PLC</td><td>± .</td></tr> <tr><td>39</td><td>PLC</td><td>± .</td></tr> <tr><td>40</td><td>PLC</td><td>± .</td></tr> <tr><td>41</td><td>PLC</td><td>± .</td></tr> <tr><td>42</td><td>PLC</td><td>± .</td></tr> <tr><td>43</td><td>PLC</td><td>± .</td></tr> <tr><td>44</td><td>PLC</td><td>± .</td></tr> <tr><td>45</td><td>PLC</td><td>± .</td></tr> <tr><td>46</td><td>PLC</td><td>± .</td></tr> <tr><td>47</td><td>PLC</td><td>± .</td></tr> <tr><td>48</td><td>PLC</td><td>± .</td></tr> <tr><td>49</td><td>PLC</td><td>± .</td></tr> <tr><td>50</td><td>PLC</td><td>± .</td></tr> </table>		0	PLC	± .	1	PLC	± .	2	PLC	± .010	3	PLC	± .005	4	PLC	± .	5	PLC	± .	6	PLC	± .	7	PLC	± .	8	PLC	± .	9	PLC	± .	10	PLC	± .	11	PLC	± .	12	PLC	± .	13	PLC	± .	14	PLC	± .	15	PLC	± .	16	PLC	± .	17	PLC	± .	18	PLC	± .	19	PLC	± .	20	PLC	± .	21	PLC	± .	22	PLC	± .	23	PLC	± .	24	PLC	± .	25	PLC	± .	26	PLC	± .	27	PLC	± .	28	PLC	± .	29	PLC	± .	30	PLC	± .	31	PLC	± .	32	PLC	± .	33	PLC	± .	34	PLC	± .	35	PLC	± .	36	PLC	± .	37	PLC	± .	38	PLC	± .	39	PLC	± .	40	PLC	± .	41	PLC	± .	42	PLC	± .	43	PLC	± .	44	PLC	± .	45	PLC	± .	46	PLC	± .	47	PLC	± .	48	PLC	± .	49	PLC	± .	50	PLC	± .	APPLICATION SPEC -	SIZE A1	CAGE CODE 00779	DRAWING NO C-6610169	RESTRICTED TO -
0	PLC	± .																																																																																																																																																													
1	PLC	± .																																																																																																																																																													
2	PLC	± .010																																																																																																																																																													
3	PLC	± .005																																																																																																																																																													
4	PLC	± .																																																																																																																																																													
5	PLC	± .																																																																																																																																																													
6	PLC	± .																																																																																																																																																													
7	PLC	± .																																																																																																																																																													
8	PLC	± .																																																																																																																																																													
9	PLC	± .																																																																																																																																																													
10	PLC	± .																																																																																																																																																													
11	PLC	± .																																																																																																																																																													
12	PLC	± .																																																																																																																																																													
13	PLC	± .																																																																																																																																																													
14	PLC	± .																																																																																																																																																													
15	PLC	± .																																																																																																																																																													
16	PLC	± .																																																																																																																																																													
17	PLC	± .																																																																																																																																																													
18	PLC	± .																																																																																																																																																													
19	PLC	± .																																																																																																																																																													
20	PLC	± .																																																																																																																																																													
21	PLC	± .																																																																																																																																																													
22	PLC	± .																																																																																																																																																													
23	PLC	± .																																																																																																																																																													
24	PLC	± .																																																																																																																																																													
25	PLC	± .																																																																																																																																																													
26	PLC	± .																																																																																																																																																													
27	PLC	± .																																																																																																																																																													
28	PLC	± .																																																																																																																																																													
29	PLC	± .																																																																																																																																																													
30	PLC	± .																																																																																																																																																													
31	PLC	± .																																																																																																																																																													
32	PLC	± .																																																																																																																																																													
33	PLC	± .																																																																																																																																																													
34	PLC	± .																																																																																																																																																													
35	PLC	± .																																																																																																																																																													
36	PLC	± .																																																																																																																																																													
37	PLC	± .																																																																																																																																																													
38	PLC	± .																																																																																																																																																													
39	PLC	± .																																																																																																																																																													
40	PLC	± .																																																																																																																																																													
41	PLC	± .																																																																																																																																																													
42	PLC	± .																																																																																																																																																													
43	PLC	± .																																																																																																																																																													
44	PLC	± .																																																																																																																																																													
45	PLC	± .																																																																																																																																																													
46	PLC	± .																																																																																																																																																													
47	PLC	± .																																																																																																																																																													
48	PLC	± .																																																																																																																																																													
49	PLC	± .																																																																																																																																																													
50	PLC	± .																																																																																																																																																													
MATERIAL -		FINISH -	WEIGHT -	SCALE 4:1		SHEET 2	OF 2	REV D																																																																																																																																																							
CUSTOMER DRAWING			SCALE 4:1		SHEET 2		OF 2																																																																																																																																																								