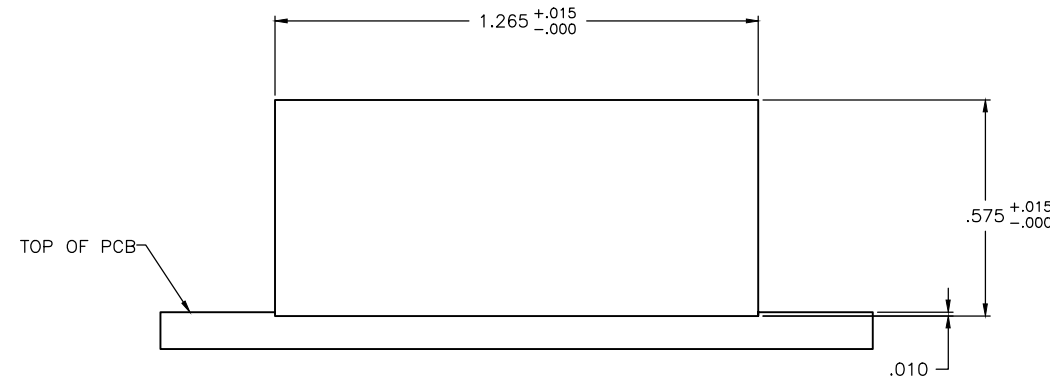
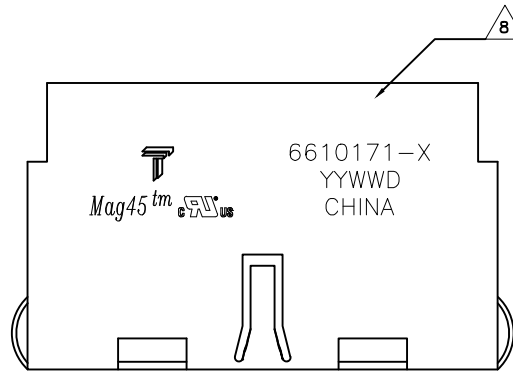
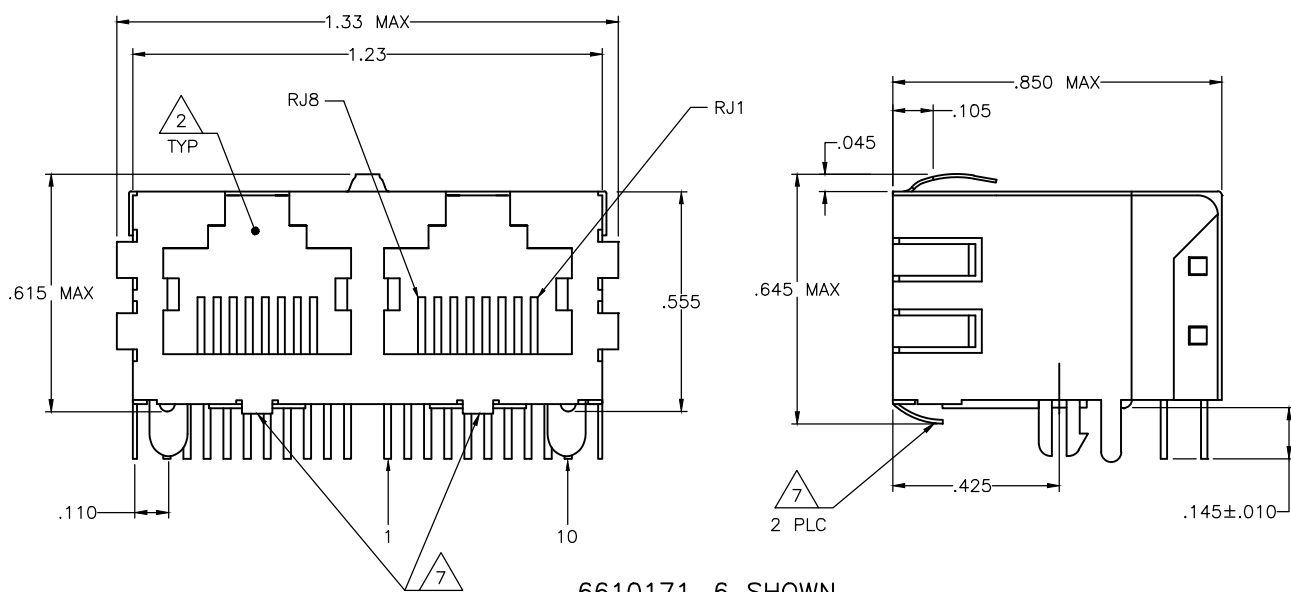


REVISIONS				
#	LR	DESCRIPTION	DATE	APPD
C		LOGO CHANGE	07APR2013	QL KZ

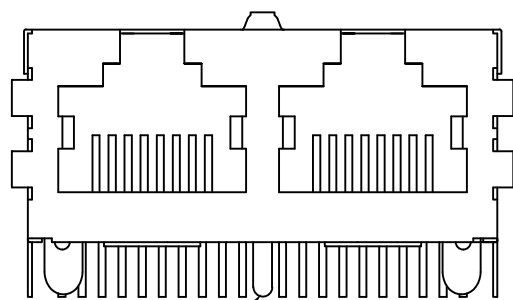
MECHANICAL:



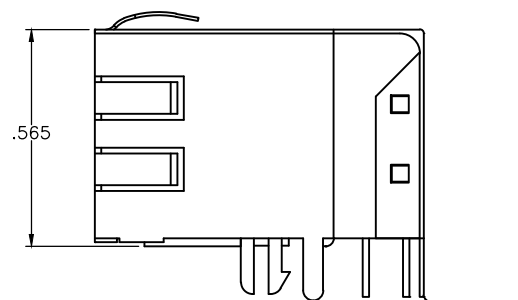
1X2 SUGGESTED PANEL CUTOUT



6610171-6 SHOWN WITH BOTTOM GROUND TABS



6610171-5 SHOWN WITH REAR GROUND TAB



6610171-1 SHOWN NO BOTTOM GROUND TABS OR REAR GROUND TAB


- 1 MATERIALS:
  - HOUSING - THERMOPLASTIC PET POLYESTER FLAMMABILITY RATING UL 94V-0.
  - SHIELD - 0.010" THICK, C26800 BRASS PREPLATED WITH 30μINCH MIN SEMI-BRIGHT NICKEL. SOLDER TABS POST DIPPED WITH 100μINCH MIN SAC SOLDER.
  - MOD JACK CONTACTS - 0.0157" X 0.018" PHOSPHOR BRONZE, 50μINCH MIN OVERALL NICKEL UNDERPLATE WITH SELECT 50μINCH MIN HARD GOLD FINISH PLATE. SOLDER TAILS WITH 100μINCH MIN MATTE TIN AND/OR SAC SOLDER DIP.
- 2 RJ45 JACK CAVITY CONFORMS TO FCC RULES AND REGULATIONS PART 68, SUB PART F.
- 3 MAGNETICS
  - IMPEDANCE: 100 OHMS
  - TURNS RATIO (CHIP: CABLE): 1:1 ALL FOUR PAIRS
  - OPEN CIRCUIT INDUCTANCE (OCL): 350μH MIN @100kHz, 0.1VRMS,
  - 8mADC BIAS FROM 0°C TO 70°C, ALL FOUR PAIRS
  - ALL FOUR PAIRS BI-DIRECTIONAL
  - PERFORMANCE @ 25°C:
    - INSERTION LOSS (IL): 1.1dB MAX FROM 0.5MHz TO 100MHz
    - RETURN LOSS (RL): 18dB MIN FROM 0.5MHz TO 40MHz
    - 12-20LOG(f/80)dB MIN FROM 40.1MHz TO 100MHz
    - CROSSTALK ATTENUATION: 35dB MIN FROM 0.5MHz TO 40MHz
    - 33-20\*LOG(f/50)dB MIN FROM 40.1MHz TO 100MHz
    - COMMON MODE REJECTION RATIO (CMRR): 30dB MIN FROM 0.5MHz TO 100MHz
  - ISOLATION VOLTAGE: COMPLIES WITH IEEE802.3 2002, PARA 40.6.1.1, ITEM b.
- 4. OPERATING TEMPERATURE: FROM 0° TO +70°C.
- 5 INDICATED MAGNETIC CONNECTIONS ARE SYMMETRICAL TO SUPPORT AUTO-MDI/MDIX.
- 6 REAR GROUND TAB ON 6610171-5 ONLY.
- 7 BOTTOM GROUND TABS ON 6610171-6 ONLY.
- 8 TRP CONNECTOR LOGO, PART NUMBER, DATE CODE, COUNTRY OF ORIGIN AND AGENCY APPROVAL MARKING IN APPROXIMATE LOCATION SHOWN.
- 9. THESE PARTS ARE RECOMMENDED FOR WAVE SOLDERING PROCESS, PEAK WAVE SOLDERING TEMPERATURE IS 265°C MAX, 10 SECONDS MAX.

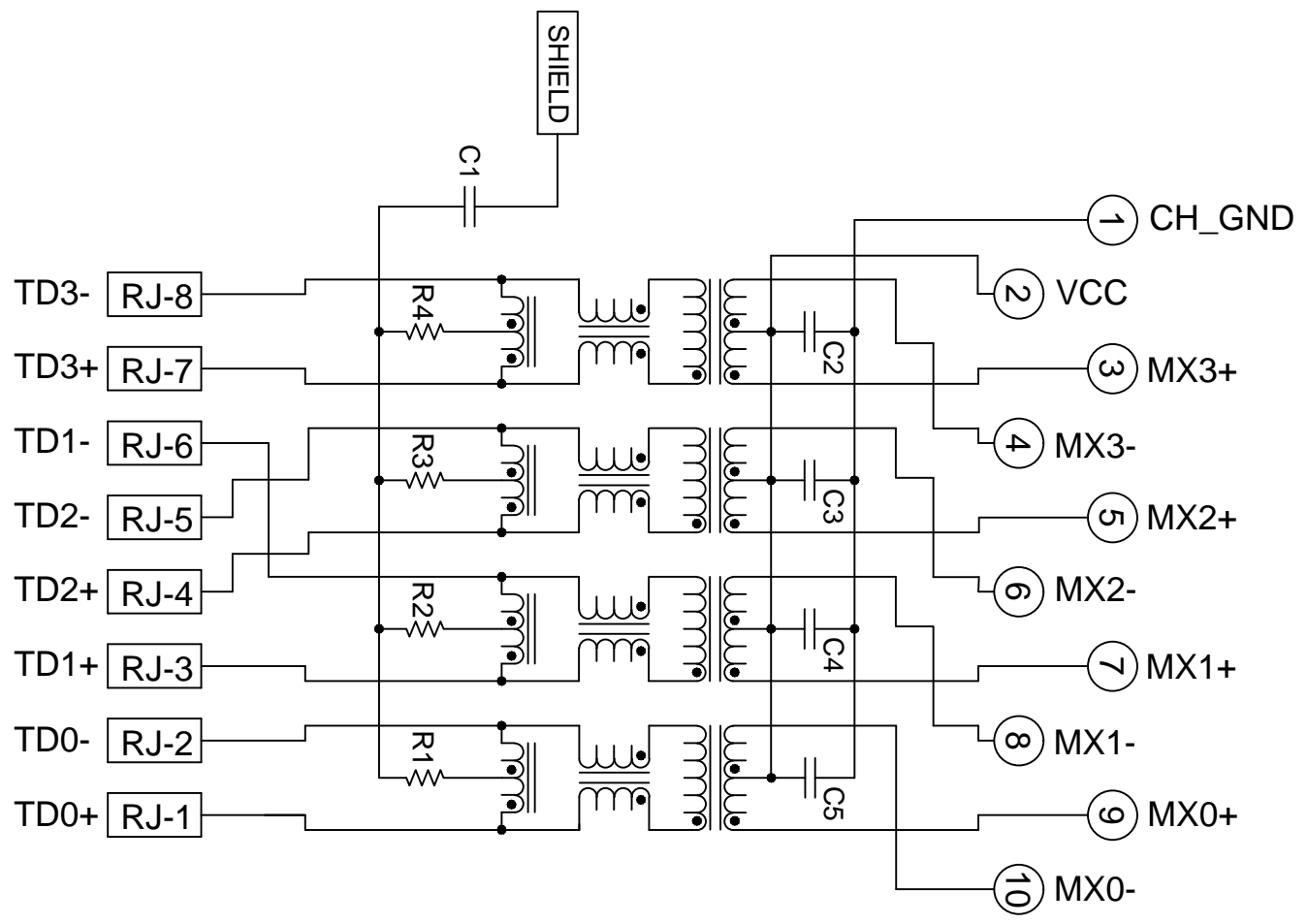
2	0	6610171-6
0	1	6610171-5
0	0	6610171-1
7	REAR PCB GND TAB	PART NUMBER

THIS DRAWING IS A CONTROLLED DOCUMENT.

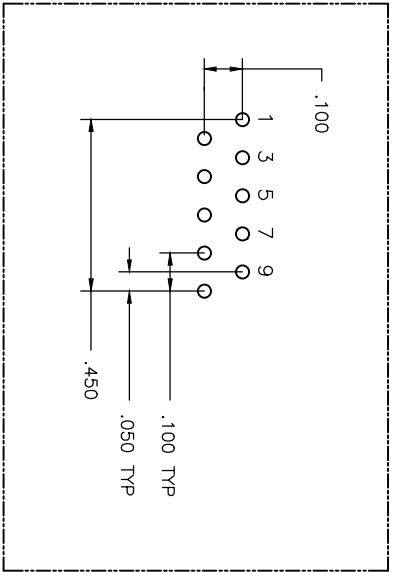
DESIGNED BY: G. ATTADIA - DOCK5	DATE: 16MAR2005	TRP connector
CHECKED BY: D. FAROLE	DATE: 16MAR2005	Dongguan China
APPROVED BY: D. FAROLE	DATE: 16MAR2005	
DIMENSIONS: INCHES	TOLERANCES UNLESS OTHERWISE SPECIFIED:	PRODUCT SPEC: 108-2100
0 PLC ± .	1 PLC ± .	APPLICATION SPEC: -
2 PLC ± .010	3 PLC ± .005	SIZE: A1
4 PLC ± .	ANGLES: -	DATE: 07APR2013
MATERIAL: 1	FINISH: 1	WEIGHT: -
CUSTOMER DRAWING		SCALE: 4:1
		SHEET: 1 OF 2
		REV: C

ELECTRICAL:

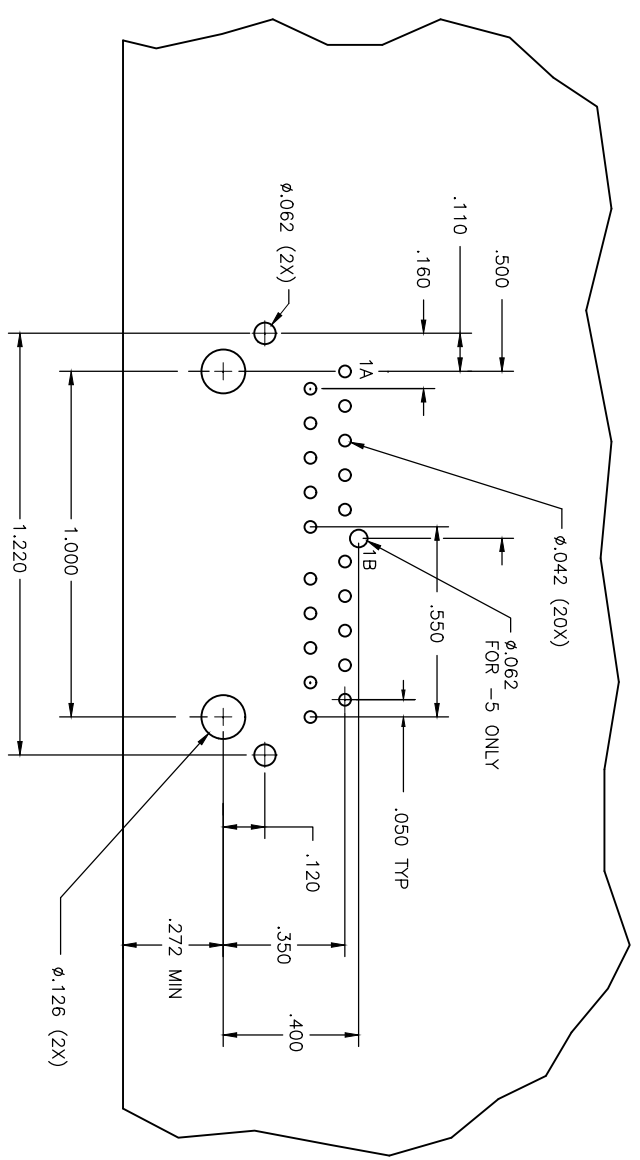
ZG05 GIGABIT SCHEMATIC 




C1 = 1000 pF, 2KV CAPACITOR  
 R1-R4 = 75 OHMS, 1/16W RESISTORS  
 C2-C5 = 0.1uF, 50V, X7R CAPACITORS



PIN DESIGNATIONS



SUGGESTED PCB LAYOUT  
 (Component Side)

THIS DRAWING IS A CONTROLLED DOCUMENT.		REVISIONS	
DESIGNER: G. ATTALIA - DOCKS		DATE: 10/20/07	BY: TRP
CHECKED: D. FAROLE		DATE: 10/20/07	BY: TRP
DRAWN: 108-2100		DATE: 10/20/07	BY: TRP
MATERIAL: -		DATE: 10/20/07	BY: TRP
CUSTOMER DRAWING		DATE: 10/20/07	BY: TRP
TRP connector Dongguan China			
7G05 GIGABIT ETHERNET CIRCUIT (10 PIN HORIZ.) SHIELDED, WITH OPTIONAL GROUND TABS, NO LEADS		108-2100 108-2100 108-2100	
A1100779		6610171	
SCALE: 4:1	SHEET: 2	OF: 2	REV: C