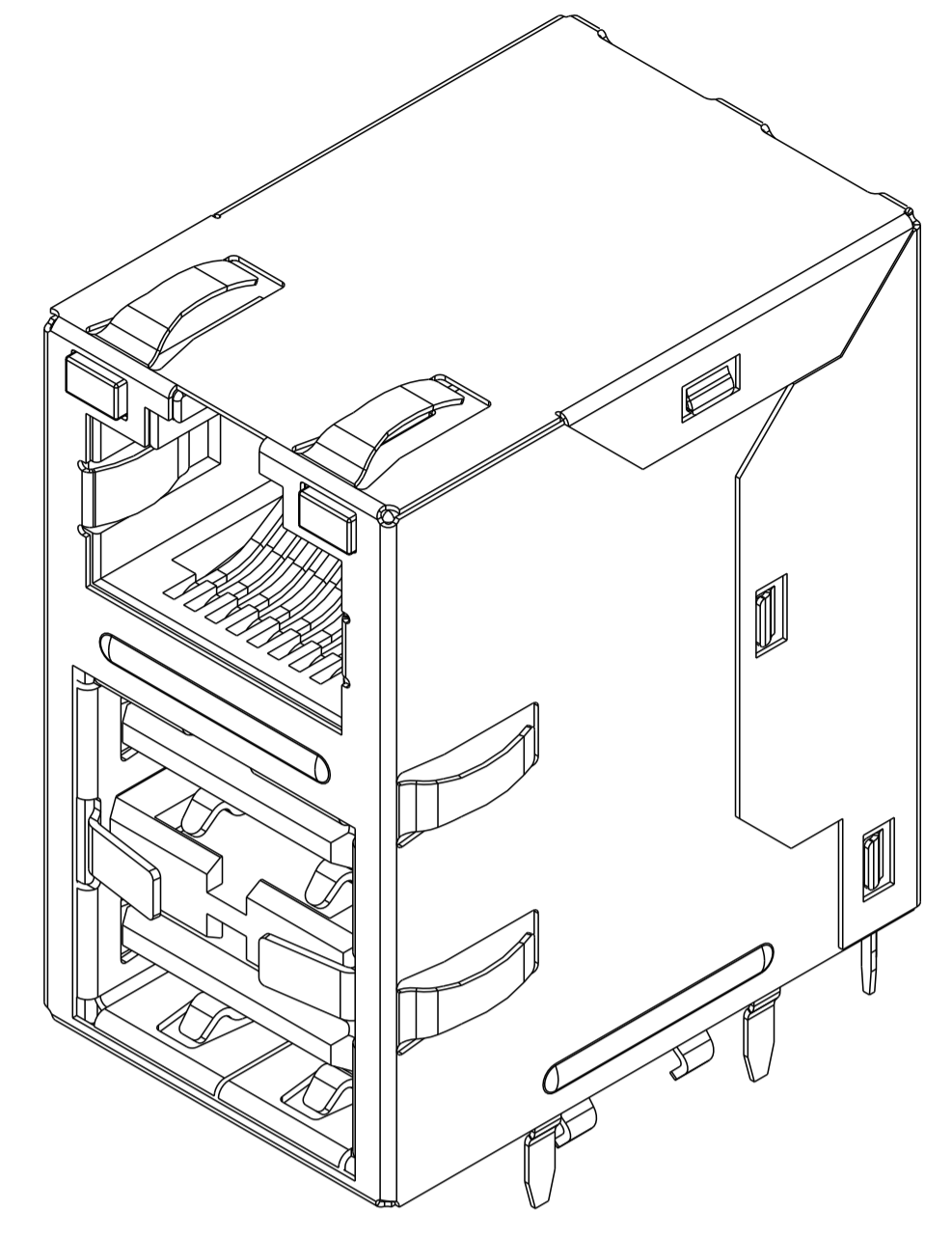
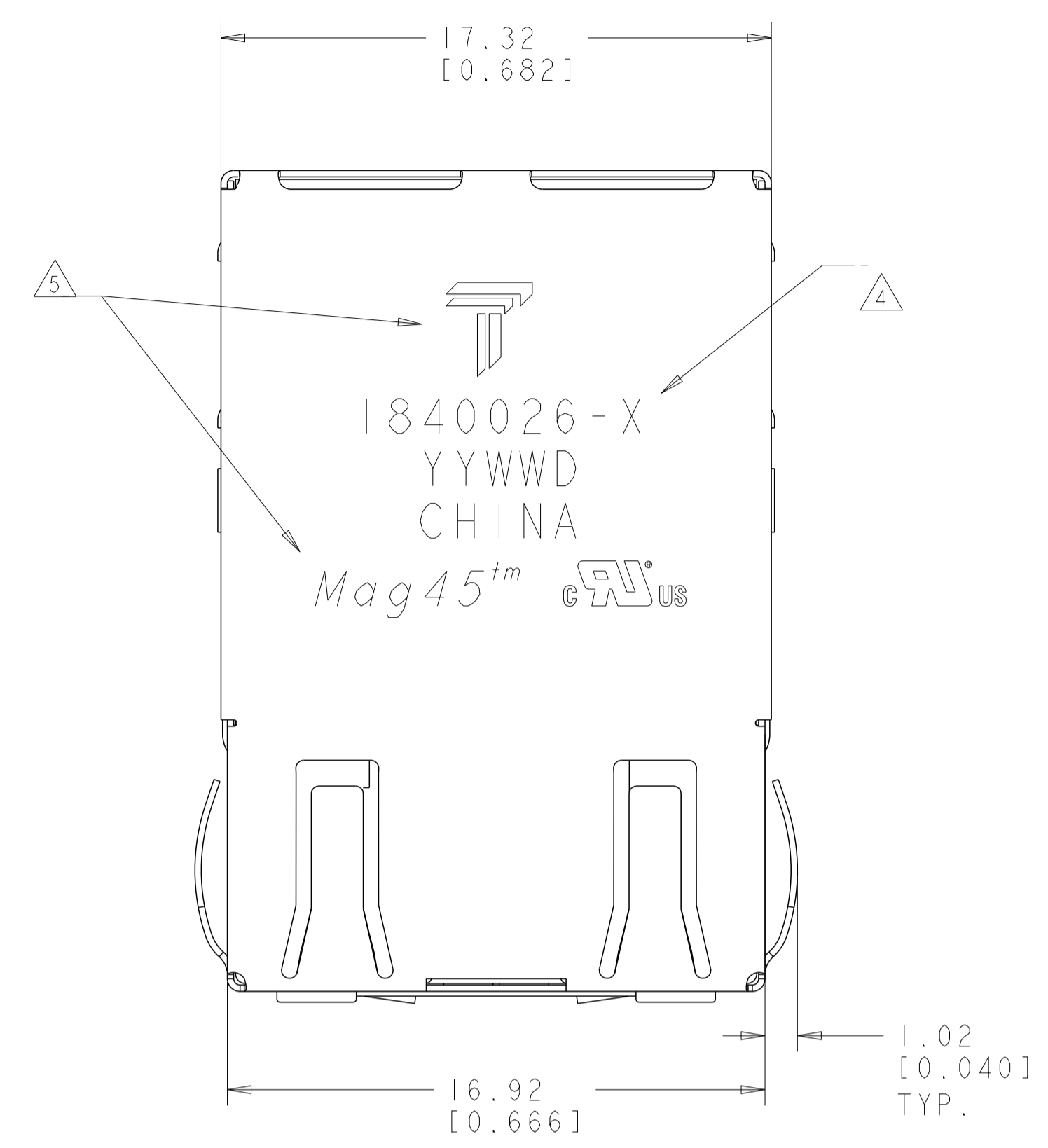


REVISIONS					
P	LTN	DESCRIPTION	DATE	DMN	APVD
E		LOGO CHANGE	07APR2013	PP	KZ

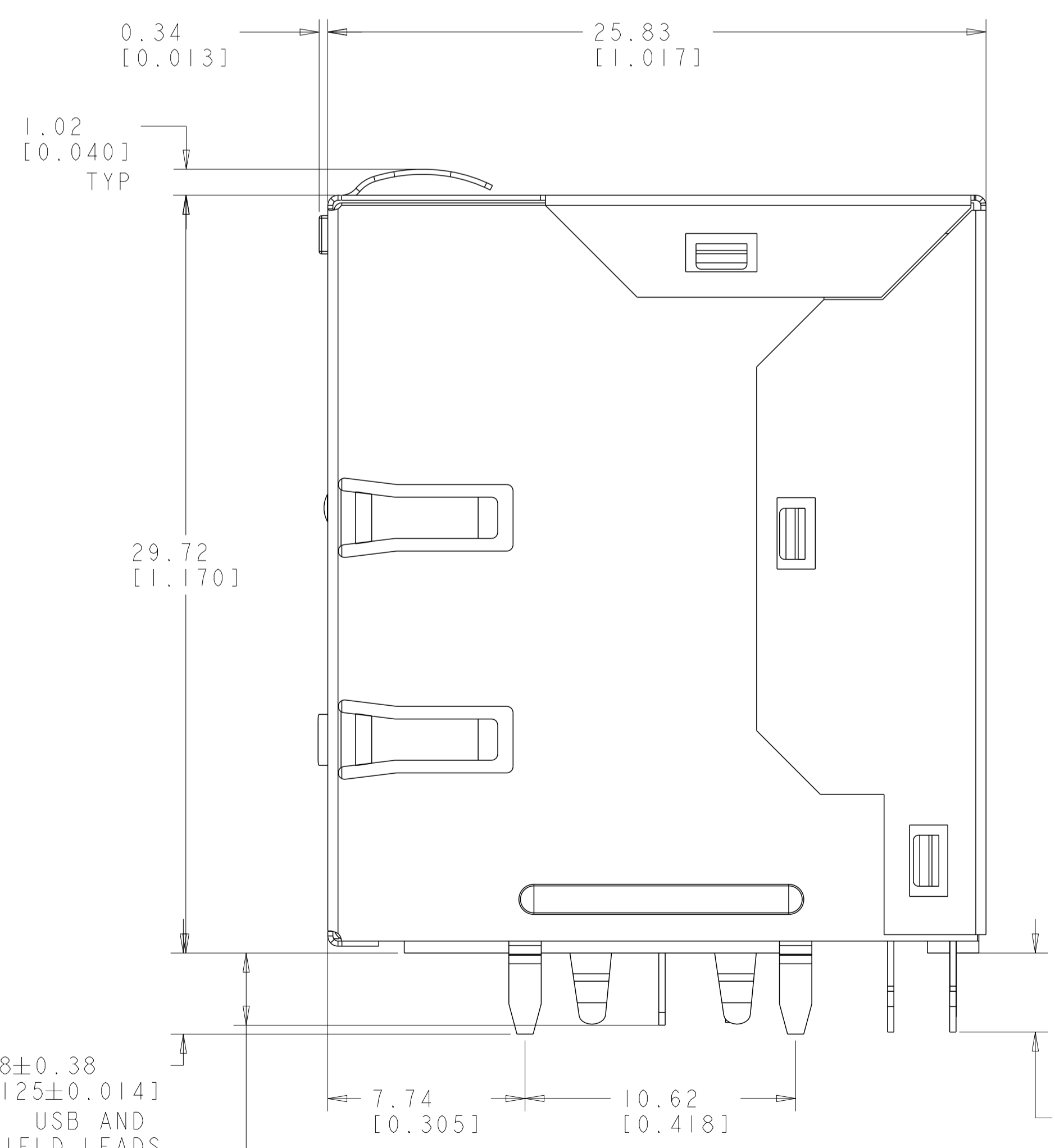
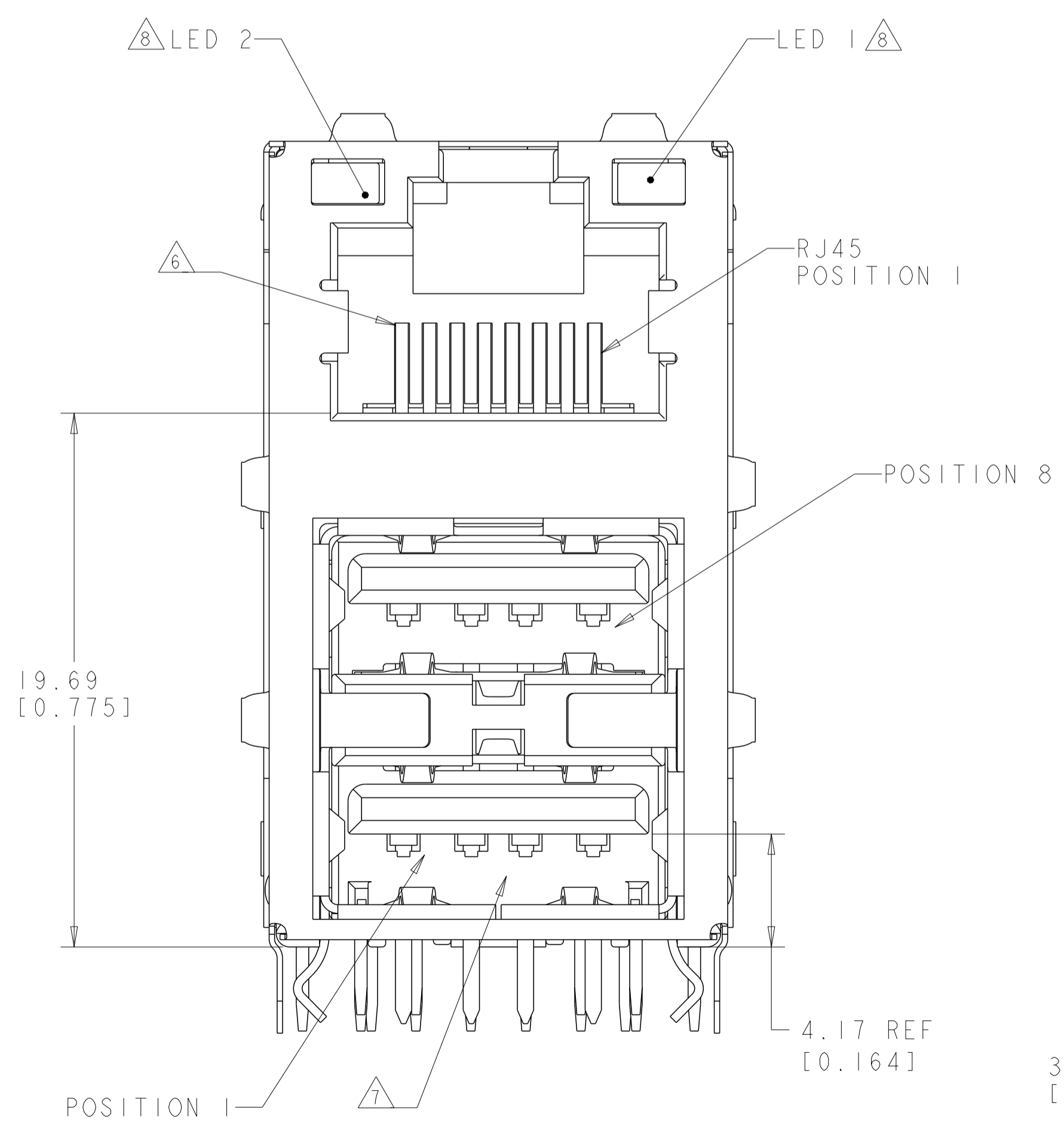


3D VIEW
SCALE 4:1

- △ USB MATERIALS:
 SHELL: PHOSPHOR BRONZE
 HOUSING: BLACK, THERMOPLASTIC, GLASS FILLED, UL 94V-0 RATED
 CONTACT: PHOSPHOR BRONZE WITH SELECTIVE GOLD PLATING, 0.76um MIN IN CONTACT REGION
 SPRING CLIP: COPPER ALLOY
- RJ45 MATERIALS:
 HOUSING: BLACK, THERMOPLASTIC FLAMMABILITY RATING UL 94V-0
 SHIELD: BRASS, PREPLATED WITH 0.76um SEMI-BRIGHT NICKEL,
 POST DIPPED WITH 2.54um MIN SAC SOLDER ON SOLDER TAILS.
 CONTACTS: PHOSPHOR BRONZE, 0.30 mm THK, 1.27um MIN OVERALL NICKEL UNDERPLATE WITH SELECT CERTAIN THICKNESS GOLD AT MATING INTERFACE AND 2.54um MIN MATTE TIN AND/OR SAC SOLDER ON SOLDER TAILS.
- LED: DIFFUSED EPOXY LENS, 0.5 X 0.5 CARBON STEEL WIREFRAME
 LEADS PREPLATED WITH 2.03um MIN SILVER OVER 1.02um MIN NICKEL UNDERPLATE OVER 1.02um COPPER UNDERPLATE. POST-PLATED WITH 2.54um MIN MATTE TIN AND/OR SAC SOLDER DIP OR PURE TIN SOLDER DIP.

- △ MAGNETICS
 -APPLICATION : 10/100 BASE-T
 -IMPEDANCE: 100 OHMS
 -TURNS RATIO(CHIP:CABLE): TX=1:1, RX=1:1
 -OPEN CIRCUIT INDUCTANCE(OCL):350uH MIN @100kHz, 0.1 VRMS, 8mADC BIAS FROM 0°C TO 70°C, TX AND RX
 -PERFORMANCE @ 25°C:
 INSERTION LOSS (IL): 1.1 dB MAX FROM 0.5MHz TO 100MHz
 RETURN LOSS (RL): 18dB MIN FROM 0.5MHz TO 30MHz
 18-20LOG(f/30)dB MIN FROM 30.1 MHz TO 60MHz
 12dB MIN FROM 60.1MHz TO 80MHz
 CROSSTALK ATTENUATION:35 dB MIN FROM 0.5 MHz TO 40 MHz
 33-20LOG(f/50) dB MIN FROM 40.1 MHz TO 100 MHz
 COMMON MODE REJECTION RATIO (CMRR): 30dB MIN FROM 0.5MHz TO 100MHz
 -ISOLATION VOLTAGE:COMPLIES WITH IEEE802.3 2002, PARA 40.6.1.1, ITEM b.

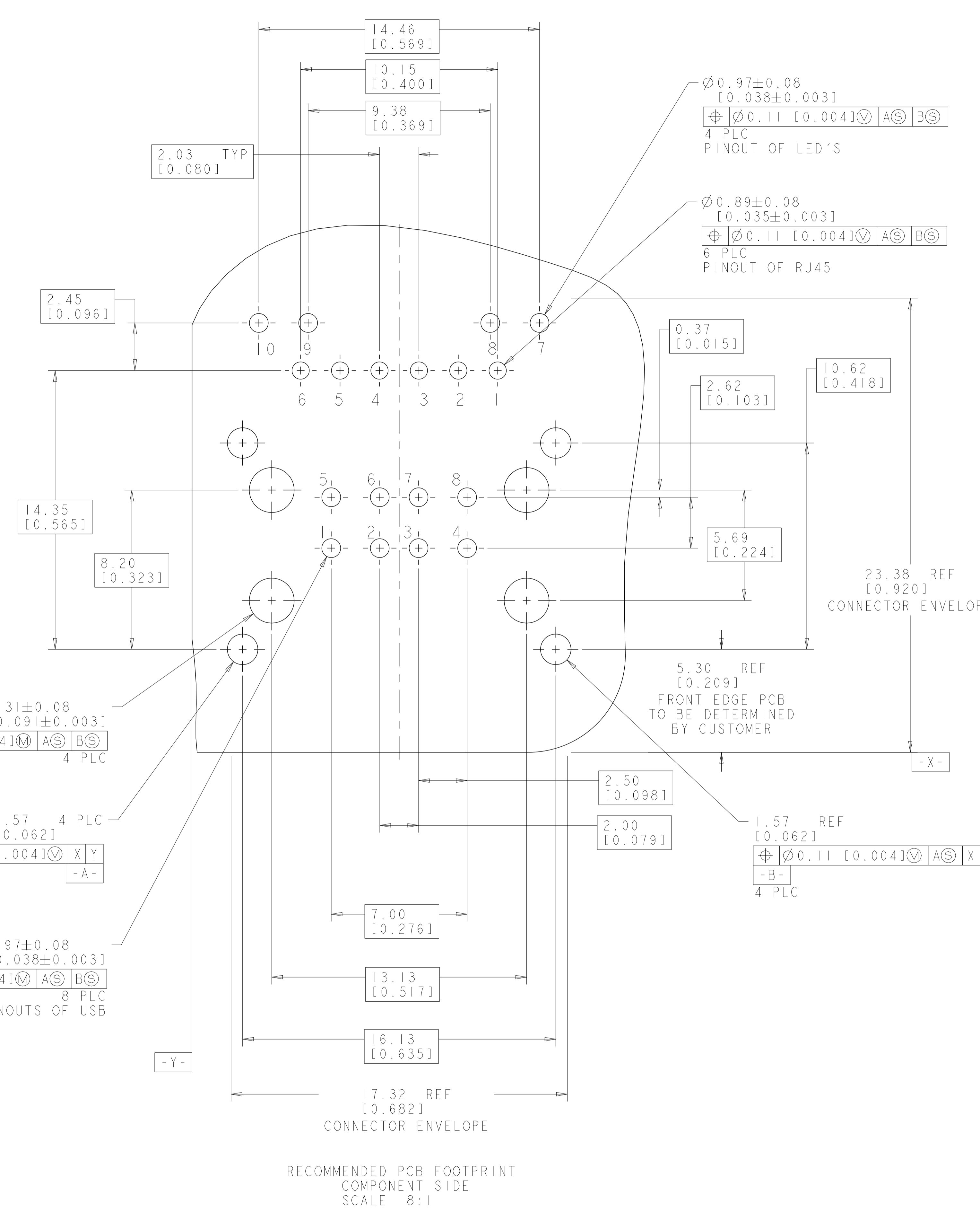
- 3. OPERATING TEMPERATURE: 0°C TO + 70°C.
- △ PART NUMBER, DATE CODE AND COUNTRY OF ORIGIN TO BE LOCATED IN APPROXIMATE AREA SHOWN.
 DATE CODE: YYWWD "YY" IS YEAR, "WW" IS WORK WEEK, "D" IS DAY OF WEEK, WITH SUNDAY=1.
- △ AGENCY APPROVAL LOGO, TRP CONNECTOR LOGO LOCATED IN APPROXIMATE AREA SHOWN.
- △ RJ45 CAVITY CONFORMS TO FCC RULES AND REGULATION PART 68 SUBPART F.
- △ MATING INTERFACE COMPIES WITH USB (UNIVERSAL SERIAL BUS) SPECIFICATION REV 2.0, UTILIZING TYCO P/N 292323-1 WITH USB 2.0 CERTIFICATE TEST ID NO. 60000242.
- △ LED IS DRIVEN WITH CONSTANT CURRENT APPROX 20 mA
 DOMINANT WAVE LENGTH(λ D):GREEN 568 nm TYP, AT IF=20mA
 FORWARD VOLTAGE(VF):GREEN 2.2V AT IF=20mA
 DOMINANT WAVE LENGTH(λ D):YELLOW 588 nm TYP, AT IF=20mA
 FORWARD VOLTAGE(VF):YELLOW 2.1V AT IF=20mA
 DOMINANT WAVE LENGTH(λ D):ORANGE 605 nm TYP, AT IF=20mA
 FORWARD VOLTAGE(VF):ORANGE 2.1V AT IF=20mA
- 9. THESE PARTS ARE COMPLIANT WITH WAVE SOLDERING PROCESS, PEAK SOLDERING TEMPERATURE IS 260°C MAX, 10 SECONDS MAX.



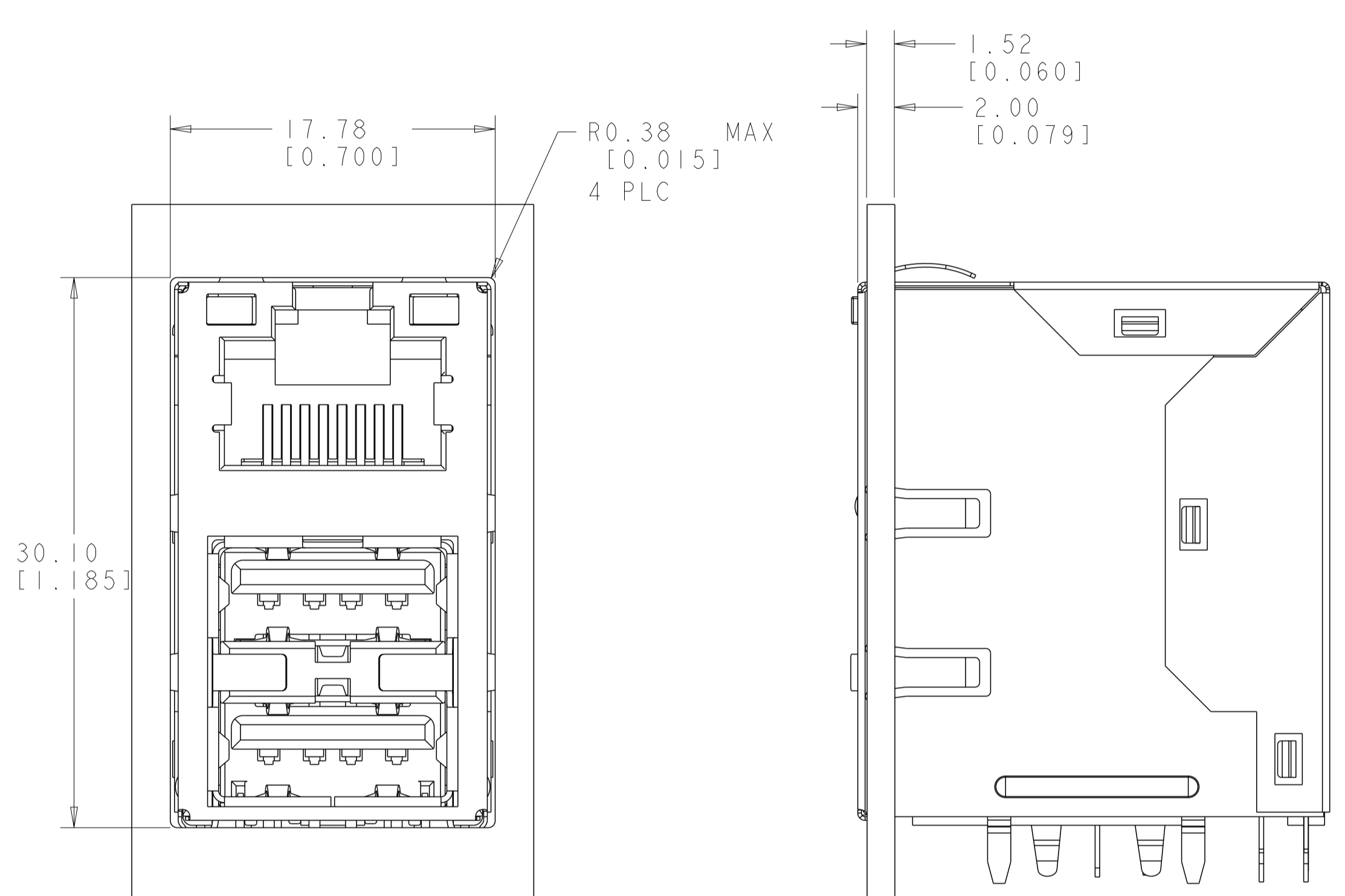
- 3.18±0.38 [0.125±0.014] USB AND SHIELD LEADS
- 2.83±0.38 [0.111±0.014] USB SIGNAL LEADS
- 7.74 [0.305]
- 10.62 [0.418]
- 3.10 [0.122] RJ45 AND LED LEADS

0.76um MIN	GREEN	GREEN	1000 pF, 2KV	2-1840026-1
0.76um MIN	GREEN	GREEN	1000 pF, 3KV	1-1840026-1
0.76um MIN	GREEN/ORANGE	YELLOW	1000 pF, 3KV	1840026-2
0.76um MIN	GREEN/ORANGE	YELLOW	1000 pF, 2KV	1840026-1
GOLD THICKNESS	LED2	LED1	DECOUPLING CAPACITOR	PART NUMBER

THIS DRAWING IS A CONTROLLED DOCUMENT.		DMN SKY ZHAO 15-Apr-13	TRP connector Dongguan China
DIMENSIONS:		CHK KFITH ZHU 15-Apr-13	
TOLERANCES UNLESS OTHERWISE SPECIFIED:		APVD TEDDY XIONG 15-Apr-13	
mm	0 PLC ±	PRODUCT SPEC	
	1 PLC ±0.25	NAME	
	2 PLC ±0.25	108-104005	
	3 PLC ±0.25	APPLICATION SPEC	
	4 PLC ±0.25	SIZE	
	ANGLES ±0.5	CAGE CODE	
MATERIAL	FINISH	WEIGHT	RESTRICTED TO
			A1 00779C=1840026
CUSTOMER DRAWING		SCALE 6:1	SHEET 1 OF 3 REV E



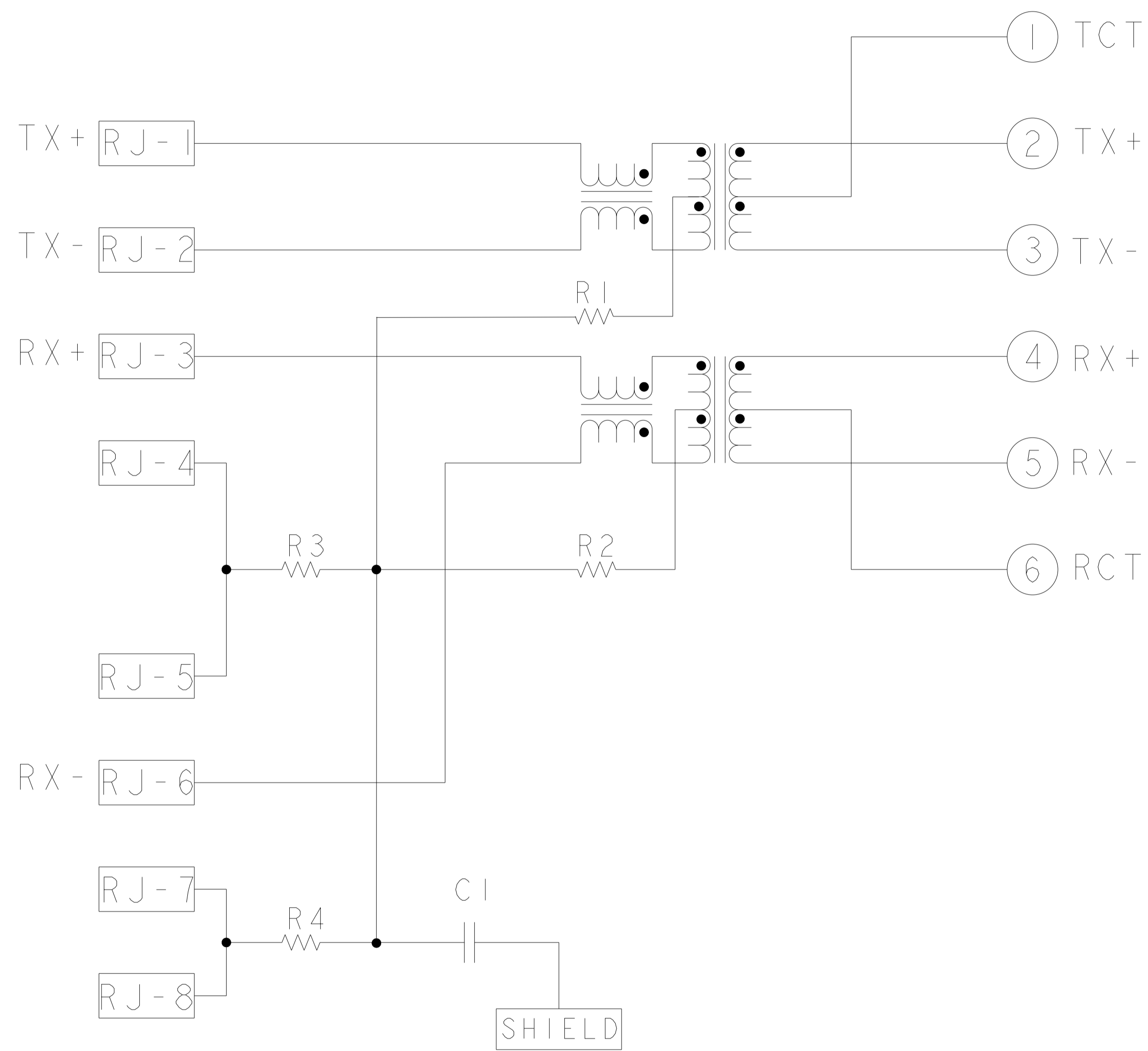
RECOMMENDED PCB FOOTPRINT COMPONENT SIDE SCALE 8:1



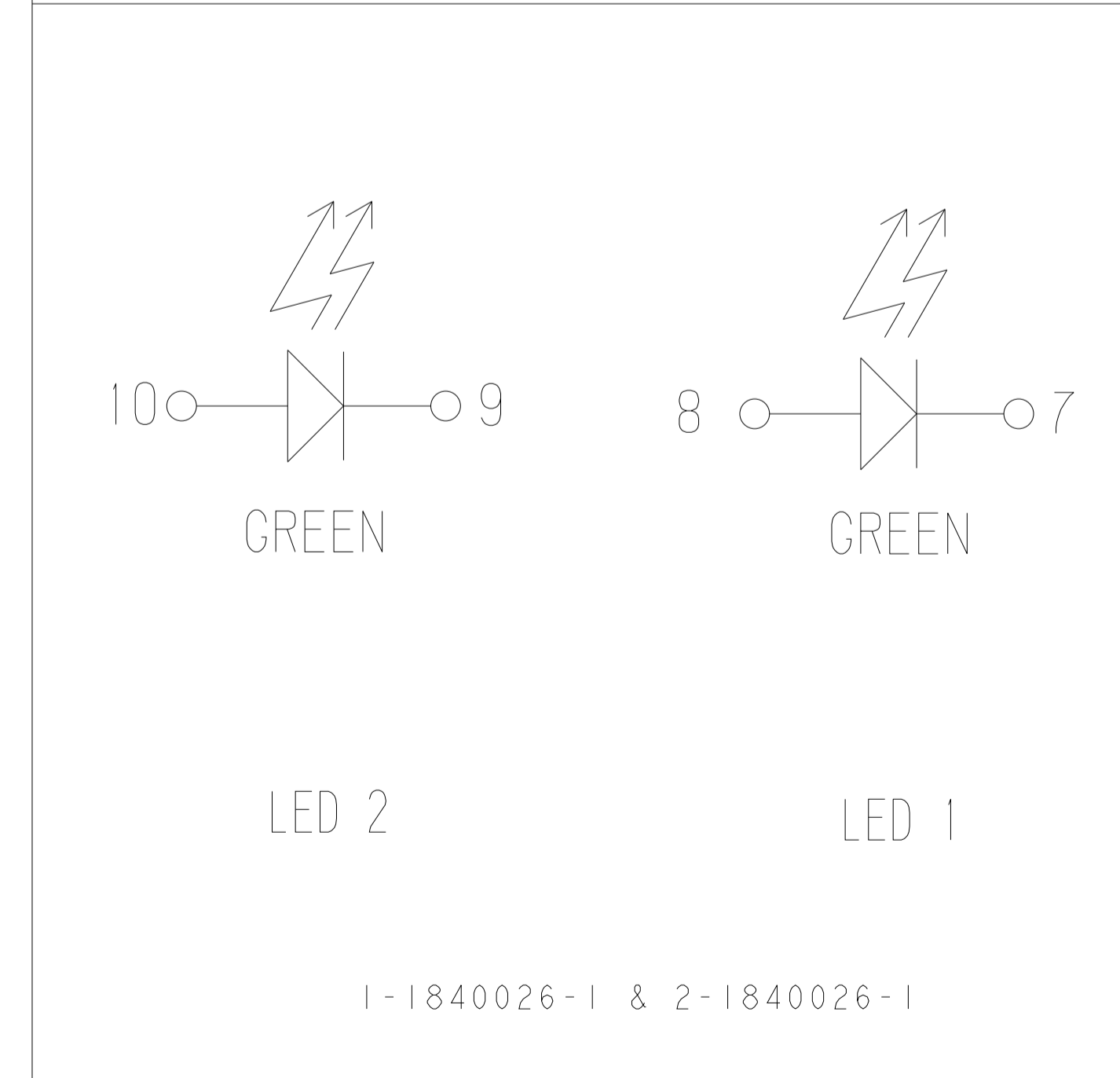
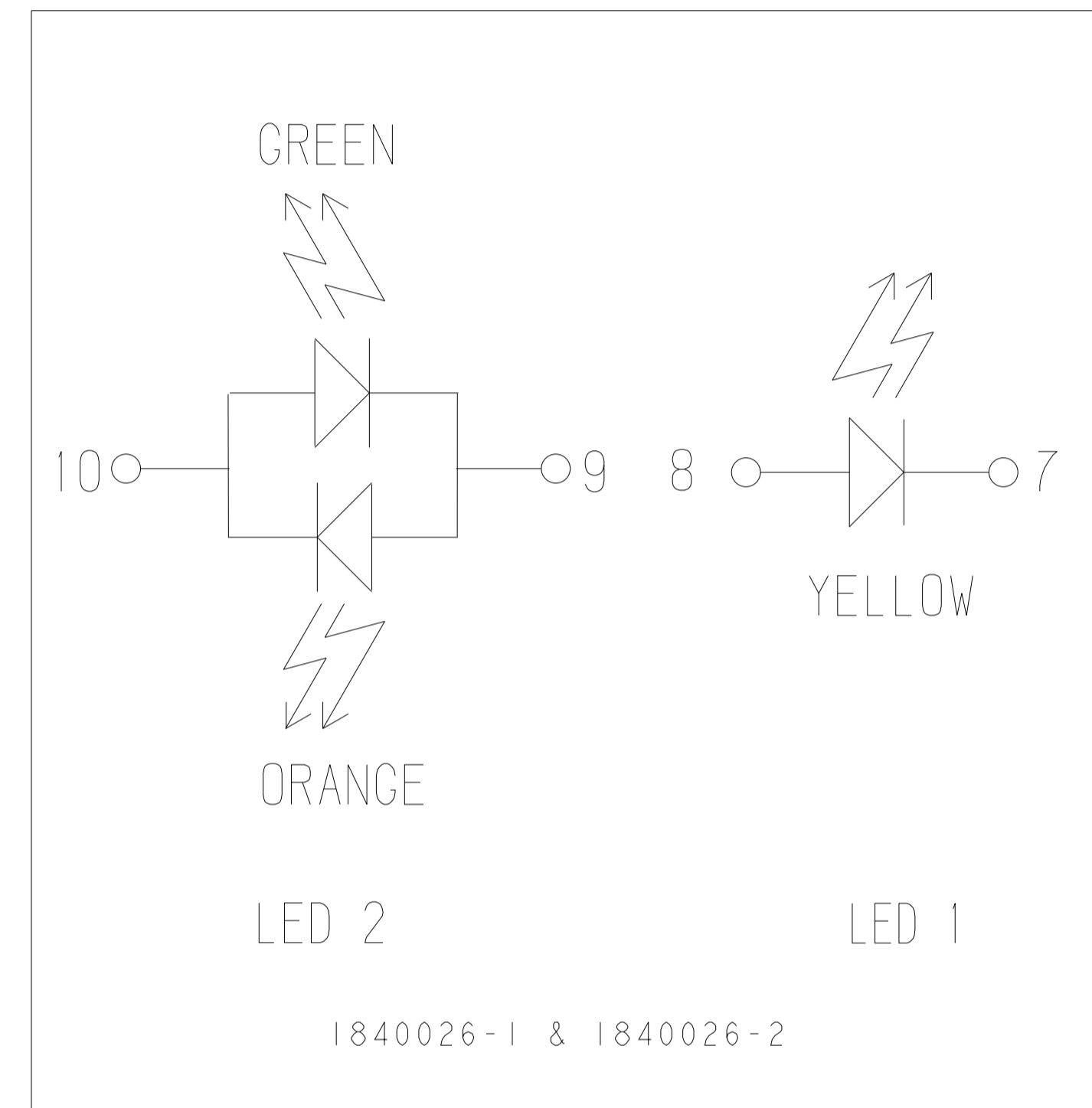
SUGGESTED PANEL CUTOUT DIMENSIONS SCALE 4:1

THIS DRAWING IS A CONTROLLED DOCUMENT.		DNW SKY ZHAO 15-Apr-13	 TRP connector Dongguan China
DIMENSIONS:		CHK KFITH ZHU 15-Apr-13	
TOLERANCES UNLESS OTHERWISE SPECIFIED:		APP'D TEDDY XIONG 15-Apr-13	
mm	0 PLC ±-	PRODUCT SPEC	NAME
	1 PLC ±0.25	108-104005	RJ45 OVER DUAL USB MAG45 TM
	2 PLC ±0.25	APPLICATION SPEC	10/100 UR204P12 CIRCUIT, W/LED
	3 PLC ±0.25	SIZE	SCALE
	4 PLC ±0.25	ANGLE	CAGE CODE
	ANGLES ±0.5	WEIGHT	DRAWING NO
MATERIAL	FINISH	CUSTOMER DRAWING	RESTRICTED TO
		A1 00779C=1840026	SCALE 6:1 SHEET 2 OF 3 REV E

△ Circuit UR204P12 Schematic



R1-R4 = 75 Ohms, 1/16W, 5%
 C1 = 1000pF, 2kV



THIS DRAWING IS A CONTROLLED DOCUMENT.		OWN SKY ZHAO 15-Apr-13	TRP connector Dongguan China
DIMENSIONS: mm		CHK KFITH ZHU 15-Apr-13	
TOLERANCES UNLESS OTHERWISE SPECIFIED:		APP'D TEDDY XIONG 15-Apr-13	PRODUCT SPEC
0 PLC ±-			NAME RJ45 OVER DUAL USB MAG45 TM
1 PLC ±0.25			10/100 UR204P12 CIRCUIT, W/LED
2 PLC ±0.25			SIZE CAGE CODE DRAWING NO RESTRICTED TO
3 PLC ±0.25			A1 00779C=1840026
4 PLC ±0.25			SCALE 6:1 SHEET 3 OF 3 REV E
ANGLES ±0.5			
MATERIAL		WEIGHT	
FINISH			
		CUSTOMER DRAWING	