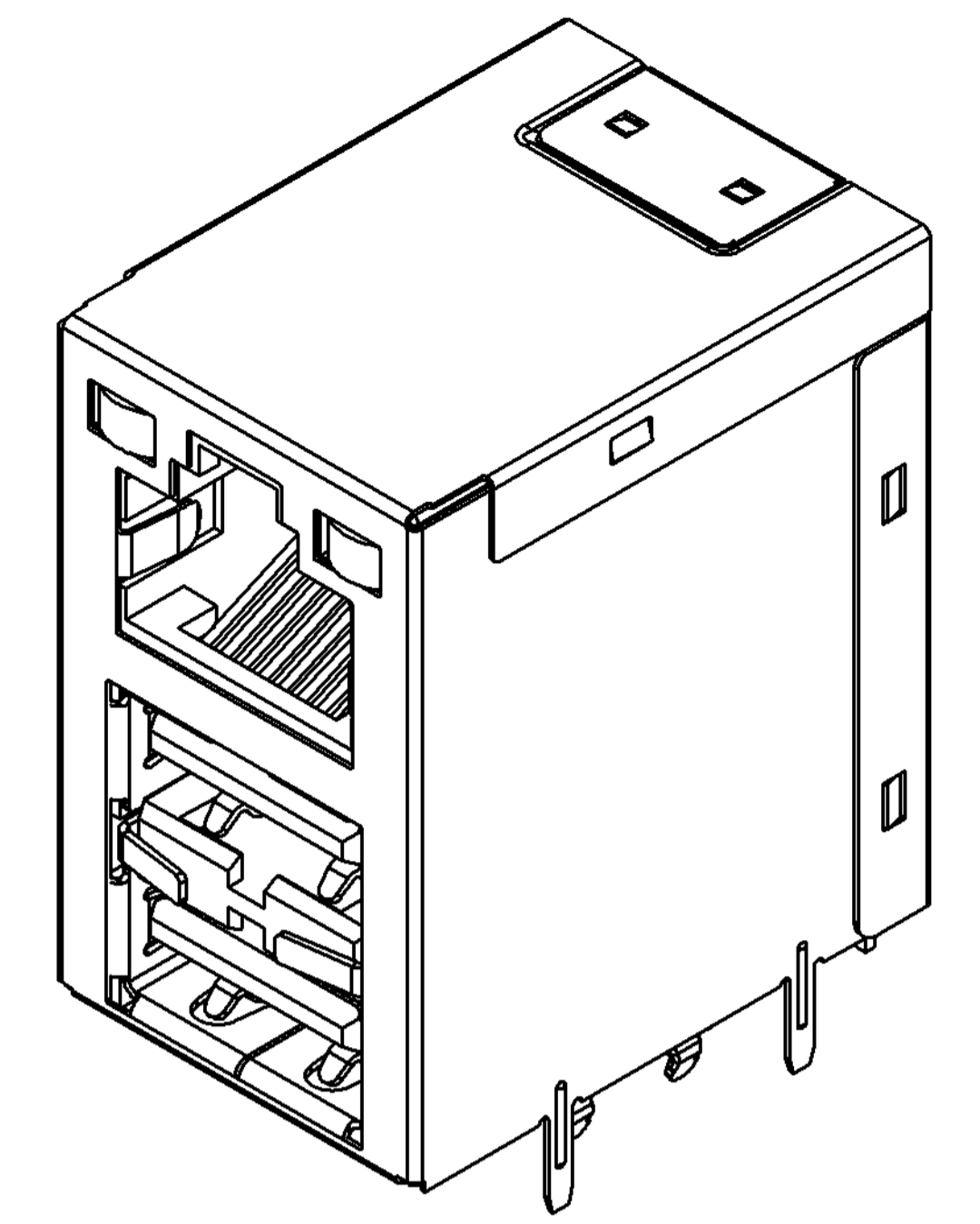
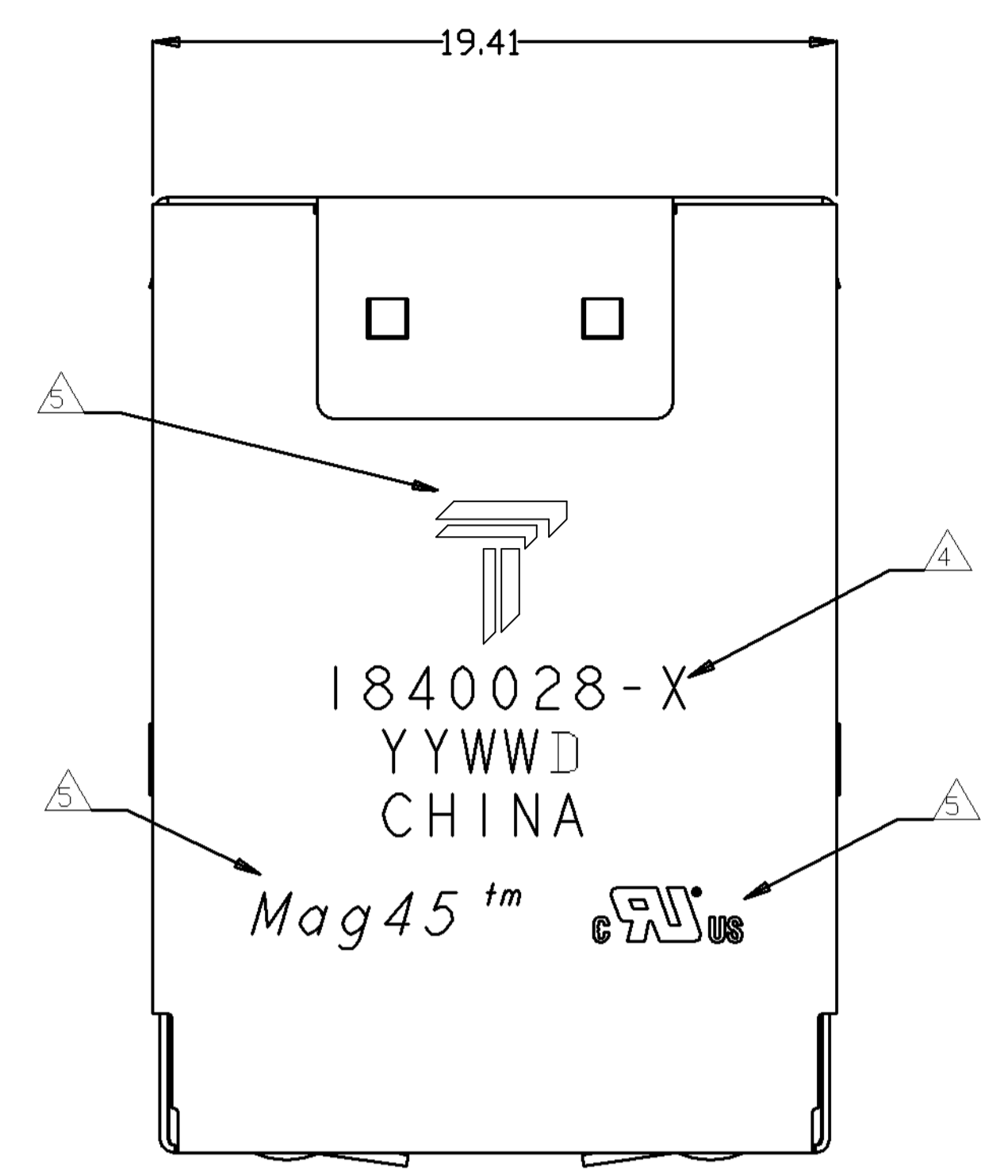


REVISIONS				
REV	DATE	DESCRIPTION	BY	APPV
C	07APR2013	LOGO CHANGE	PP	KZ



- MATERIALS:**
USB MATERIALS:
 HOUSING: BLACK, THERMOPLASTIC, GLASS FILLED, UL 94V-0 RATED
 SHELL: BRASS, PLATED WITH 2.54µm MIN TIN
 CONTACT: PHOSPHOR BRONZE WITH SELECTIVE GOLD PLATING

RJ45 MATERIALS:
 HOUSING: BLACK, THERMOPLASTIC FLAMMABILITY RATING UL 94V-0
 SHIELD: BRASS, PLATED WITH 0.76 µm MIN SEMI-BRIGHT NICKEL, 3.05 µm MIN TIN ON SOLDER TAILS ONLY
 CONTACTS: PHOSPHOR BRONZE
 1.27 µm MIN OVERALL NICKEL UNDERPLATE WITH SELECTIVE
 1.27 µm MIN GOLD AT MATING INTERFACE AND
 3.05 µm MIN MATTE TIN AND/OR SAC SOLDER DIP ON SOLDER TAILS.

LED MATERIAL:
 DIFFUSED EPOXY LENS, 0.5 x 0.5 CARBON STEEL WIREFRAME LEADS PLATING
 2.03 µm MIN SILVER OVER
 1.02 µm MIN NICKEL OVER
 1.02 µm MIN COPPER UNDERPLATE
 POST-PLATE WITH 2.54 µm MIN MATTE TIN AND/OR SAC SOLDER DIP OR PURE TIN SOLDER DIP.

RJ45 MAGNETICS
 -APPLICATION : 10/100 BASE-T
 -IMPEDANCE: 100 OHMS
 -TURNS RATIO(CHIP:CABLE): TX=1:1, RX=1:1
 -OPEN CIRCUIT INDUCTANCE(OCL):350uH MIN @100kHz, 0.1 VRMS,
 8mADC BIAS FROM 0°C TO 70°C, TX AND RX
 -PERFORMANCE @ 25°C:
 INSERTION LOSS (IL): 1.1 dB MAX FROM 0.5MHz TO 100MHz
 RETURN LOSS (RL): 18dB MIN FROM 0.5MHz TO 30MHz
 12-20LOG(f/30)dB MIN FROM 30.1 MHz TO 60MHz
 12dB MIN FROM 60MHz TO 80MHz
 CROSSTALK ATTENUATION:35 dB MIN FROM 0.5 MHz TO 40 MHz
 33-20LOG(f/50) dB MIN FROM 40.1 MHz TO 100 MHz
 COMMON MODE REJECTION RATIO (CMRR): 30dB MIN FROM 0.5MHz TO 100MHz
 -ISOLATION VOLTAGE: 2250VDC (MAX) FOR 60 SECONDS WITH A RISE TIME OF 500V/SEC AND WITH ALL PORTS CONNECTED.

 3. OPERATING TEMPERATURE: FROM 0° C TO + 70° C

 4. PART NUMBER, DATE CODE AND COUNTRY OF ORIGIN LOCATED IN APPROXIMATE LOCATION SHOWN.

 5. AGENCY APPROVAL LOGO AND TRP CONNECTOR LOGO TO BE LOCATED IN APPROXIMATE AREA SHOWN.

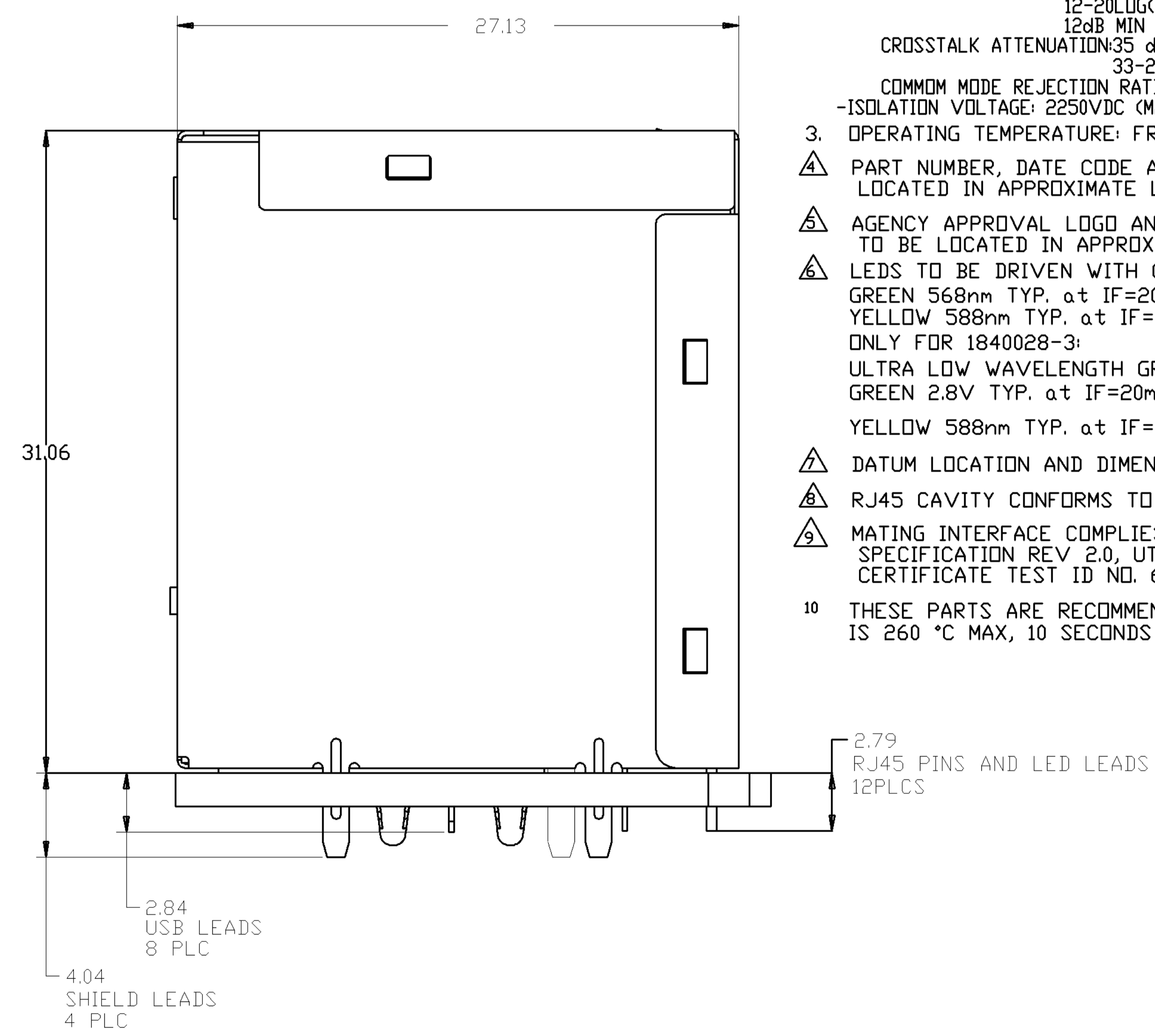
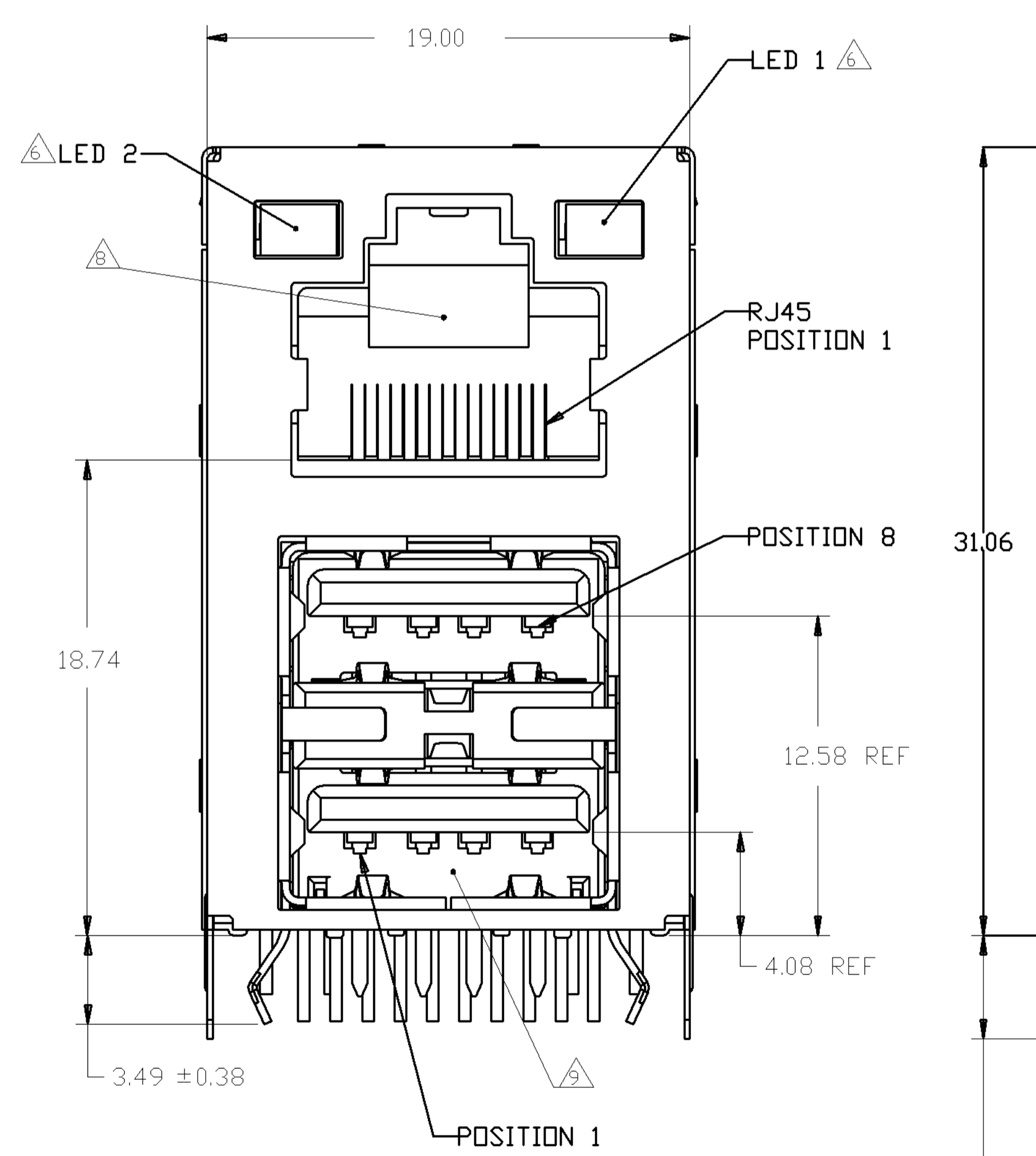
 6. LEADS TO BE DRIVEN WITH CONSTANT CURRENT AT APPROX 20mA, DOMINANT WAVELENGH:
 GREEN 568nm TYP. at IF=20mA, FORWARD VOLTAGE (VF): GREEN 2.2V TYP. at IF=20mA
 YELLOW 588nm TYP. at IF=20mA, FORWARD VOLTAGE (VF): YELLOW 2.1V TYP. at IF=20mA
 ONLY FOR 1840028-3:
 ULTRA LOW WAVELENGTH GREEN (ULWG) 525 nm TYP. at IF=20mA, FORWARD VOLTAGE (VF):
 GREEN 2.8V TYP. at IF=20mA
 YELLOW 588nm TYP. at IF=20mA, FORWARD VOLTAGE (VF): YELLOW 2.1V TYP. at IF=20mA

 7. DATUM LOCATION AND DIMENSION TO BE ESTABLISHED BY CUSTOMER.

 8. RJ45 CAVITY CONFORMS TO FCC RULES AND REGULATION PART 68 SUBPART F.

 9. MATING INTERFACE COMPLIES WITH USB (UNIVERSAL SERIAL BUS) SPECIFICATION REV 2.0, UTILIZING TYCD P/N 292323-1 WITH USB 2.0 CERTIFICATE TEST ID NO. 60000242.

 10. THESE PARTS ARE RECOMMENDED FOR WAVE SOLDERING PROCESS, PEAK SOLDERING TEMPERATURE IS 260 °C MAX, 10 SECONDS MAX.



ULWG/YELLOW	ULWG/YELLOW	1840028-3
GREEN	GREEN/YELLOW	1840028-2
GREEN	GREEN	1840028-1
LED 2	LED 1	PART NUMBER

THIS DRAWING IS A CONTROLLED DOCUMENT.		DATE: 12JUN08	TRP connector
DIMENSIONS: mm		CHK: EVAN MA 12JUN08	Dongguan China
TOLERANCES UNLESS OTHERWISE SPECIFIED		DATE: 12JUN08	
Ø	±0.25	PRODUCT SPEC	RJ45 OVER DUAL USB W/LED'S, UR226P22
□	±0.25	APPLICATION SPEC	SCHEMATIC 10/100 ETHERNET MAG45
□	±0.25	SIZE: A1	CAGE CODE: 00779
□	±0.25	DRAWING NO: 1840028	RESTRICTED TO: -
MATERIAL: -	FINISH: -	CUSTOMER DRAWING	SCALE: 1:1 SHEET 1 OF 2 REV C

